



US00D748543S

(12) **United States Design Patent**  
**Nissl**

(10) **Patent No.:** **US D748,543 S**  
(45) **Date of Patent:** **\*\* Feb. 2, 2016**

(54) **FRONT BUMPER FOR A VEHICLE**  
(71) Applicant: **Bayerische Motoren Werke Aktiengesellschaft, Munich (DE)**  
(72) Inventor: **Florian Dieter Nissl, Munich (DE)**  
(73) Assignee: **Bayerische Motoren Werke Aktiengesellschaft, Munich (DE)**

D687,356 S \* 8/2013 Weil ..... D12/169  
D692,811 S \* 11/2013 Johnson ..... D12/169  
D702,160 S \* 4/2014 Miyazawa ..... D12/169  
D712,799 S \* 9/2014 Kang ..... D12/169  
D713,767 S \* 9/2014 Selvaag ..... D12/169  
D716,199 S \* 10/2014 Beermann ..... D12/169  
D735,096 S \* 7/2015 Nissl ..... D12/169

(\*\*) Term: **14 Years**

(21) Appl. No.: **29/512,111**

(22) Filed: **Dec. 17, 2014**

(30) **Foreign Application Priority Data**

Jun. 18, 2014 (DE) ..... 40 2014 100 517

(51) **LOC (10) Cl.** ..... **12-16**

(52) **U.S. Cl.**  
USPC ..... **D12/169**

(58) **Field of Classification Search**  
USPC ..... D12/169, 216, 90-92, 86, 171, 196,  
D12/163; 293/102, 113, 115, 117, 120;  
296/180.1, 180.2  
CPC . B60R 19/52; B60R 2019/25; B62D 25/0845  
See application file for complete search history.

(56) **References Cited**

**U.S. PATENT DOCUMENTS**

D570,261 S \* 6/2008 Baum ..... D12/169  
D606,465 S \* 12/2009 Weil ..... D12/169  
D620,843 S \* 8/2010 Froehlich ..... D12/92  
D669,402 S \* 10/2012 Elmitt ..... D12/169  
D670,625 S \* 11/2012 Frei ..... D12/169  
D675,139 S \* 1/2013 Yamamoto ..... D12/169  
D678,141 S \* 3/2013 Behmer ..... D12/169

**FOREIGN PATENT DOCUMENTS**

WO DM/082404 12/2013

\* cited by examiner

*Primary Examiner* — Melody N Brown

(74) *Attorney, Agent, or Firm* — Crowell & Moring LLP

(57) **CLAIM**

The ornamental design for a front bumper for a vehicle, as shown and described.

**DESCRIPTION**

This application contains subject matter related to the following co-pending U.S. design patent applications:

Application Ser. No. 29/492,752, filed Jun. 3, 2014 and entitled "Front Bumper for a Vehicle";

Application Ser. No. 29/512,110, filed herewith and entitled "Vehicle, Toy, and/or Replicas Thereof"; and

Application Ser. No. 29/512,113, filed herewith and entitled "Vehicle, Toy, and/or Replicas Thereof".

FIG. 1 is a front view of a front bumper for a vehicle according to the design;

FIG. 2 is a right, front perspective view thereof;

FIG. 3 is a left, front perspective view thereof;

FIG. 4 is a right side view thereof;

FIG. 5 is a left side view thereof;

FIG. 6 is a top view thereof;

FIG. 7 is a bottom view thereof; and,

FIG. 8 is a rear view thereof.

**1 Claim, 8 Drawing Sheets**

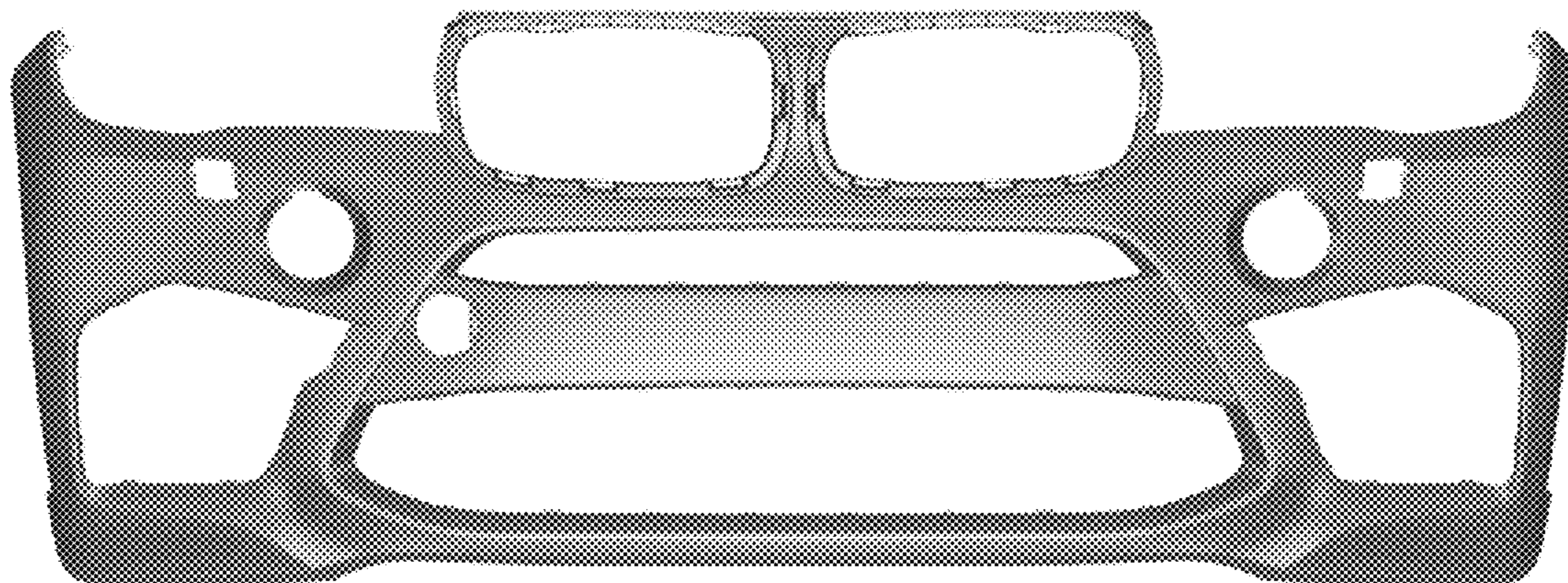




Fig. 1

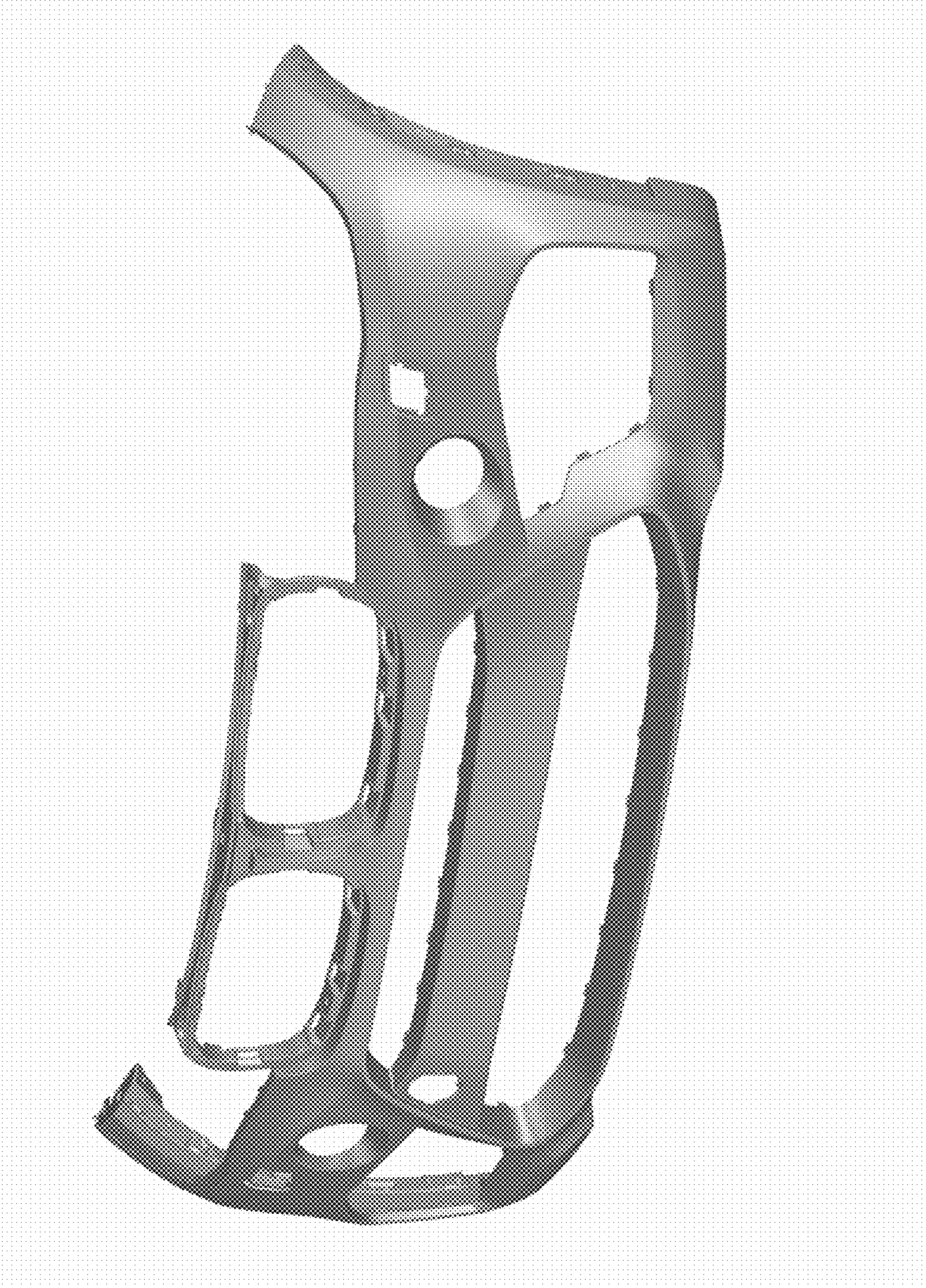


Fig. 2

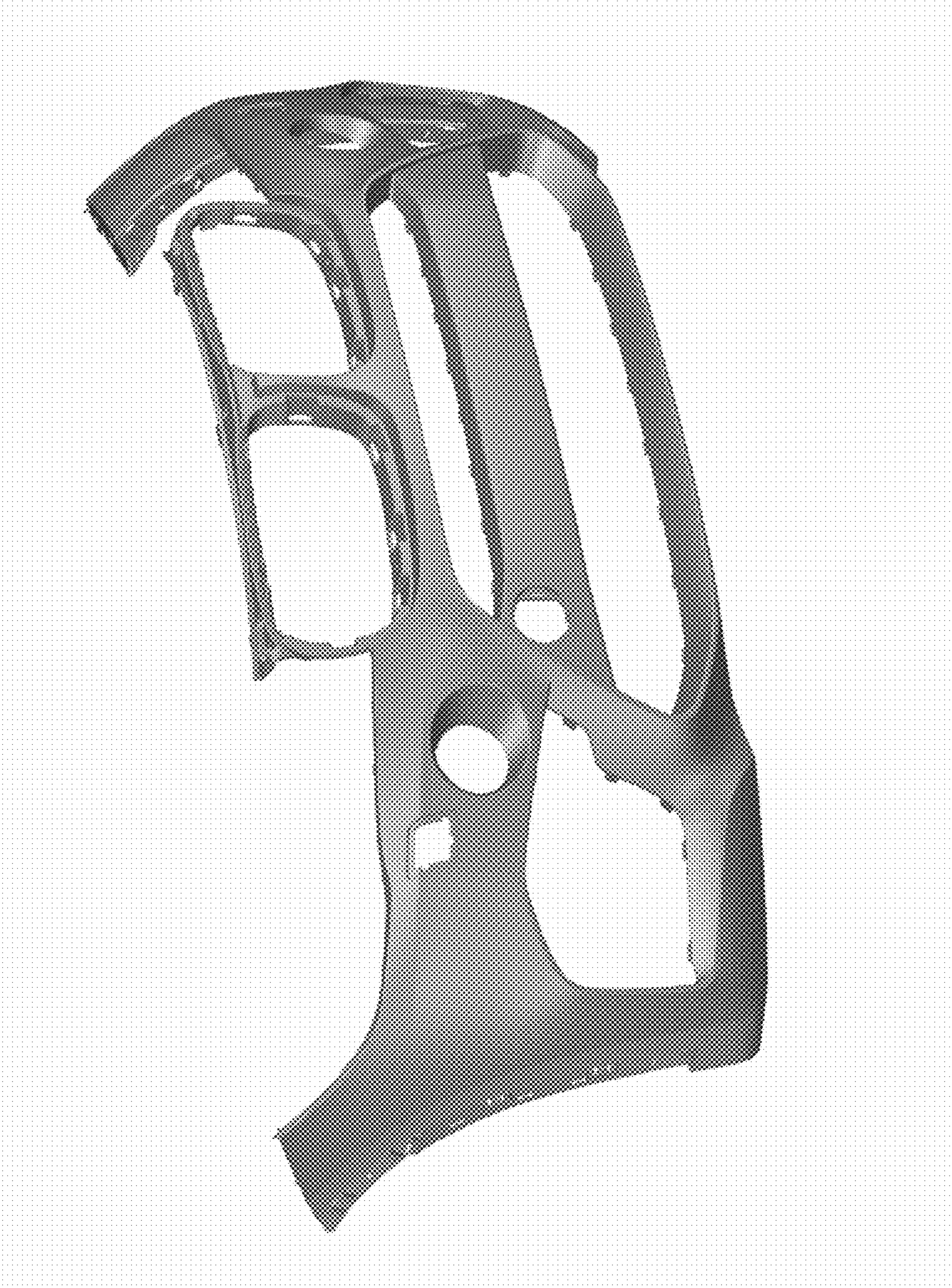


Fig. 3

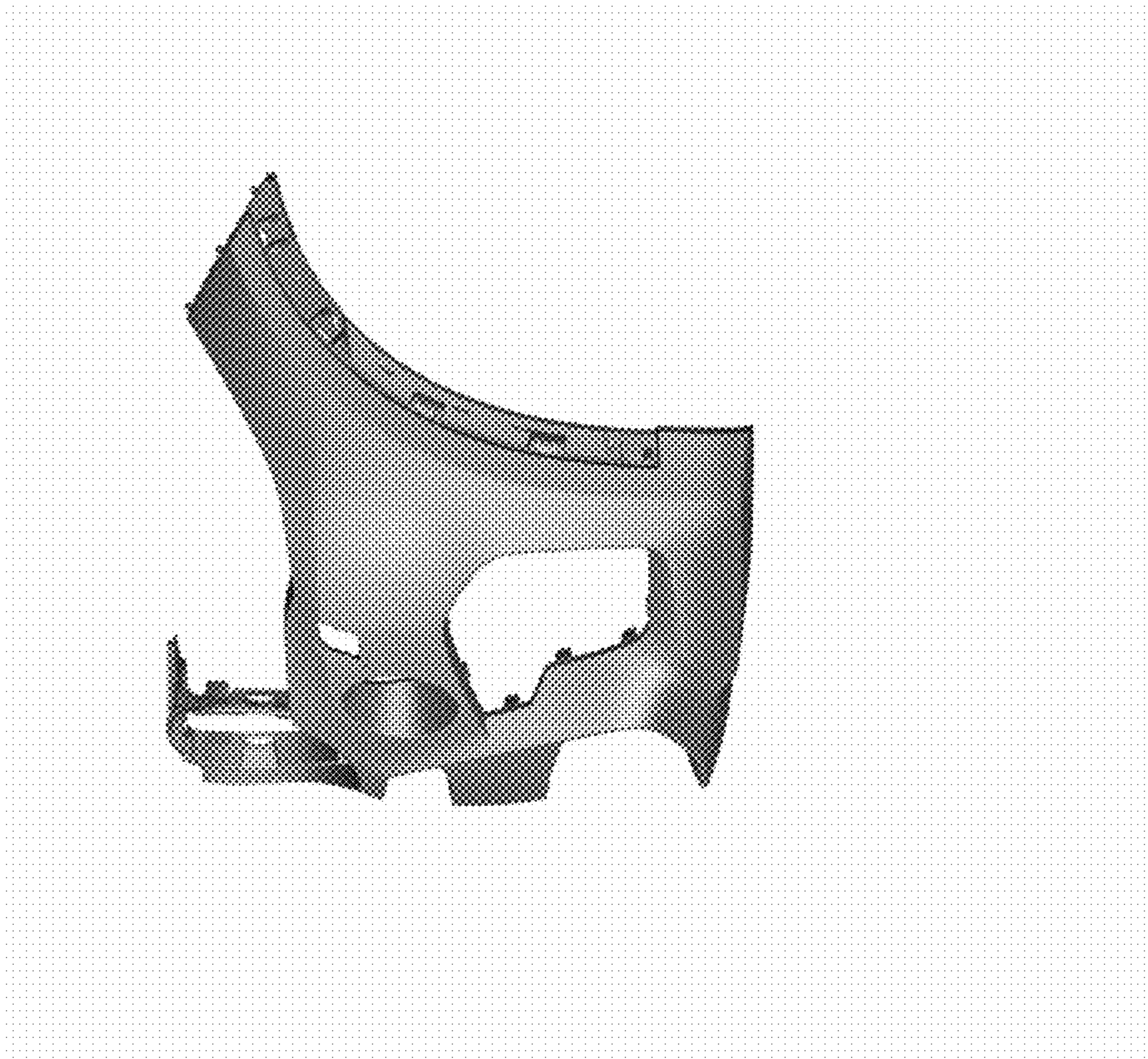


Fig. 4

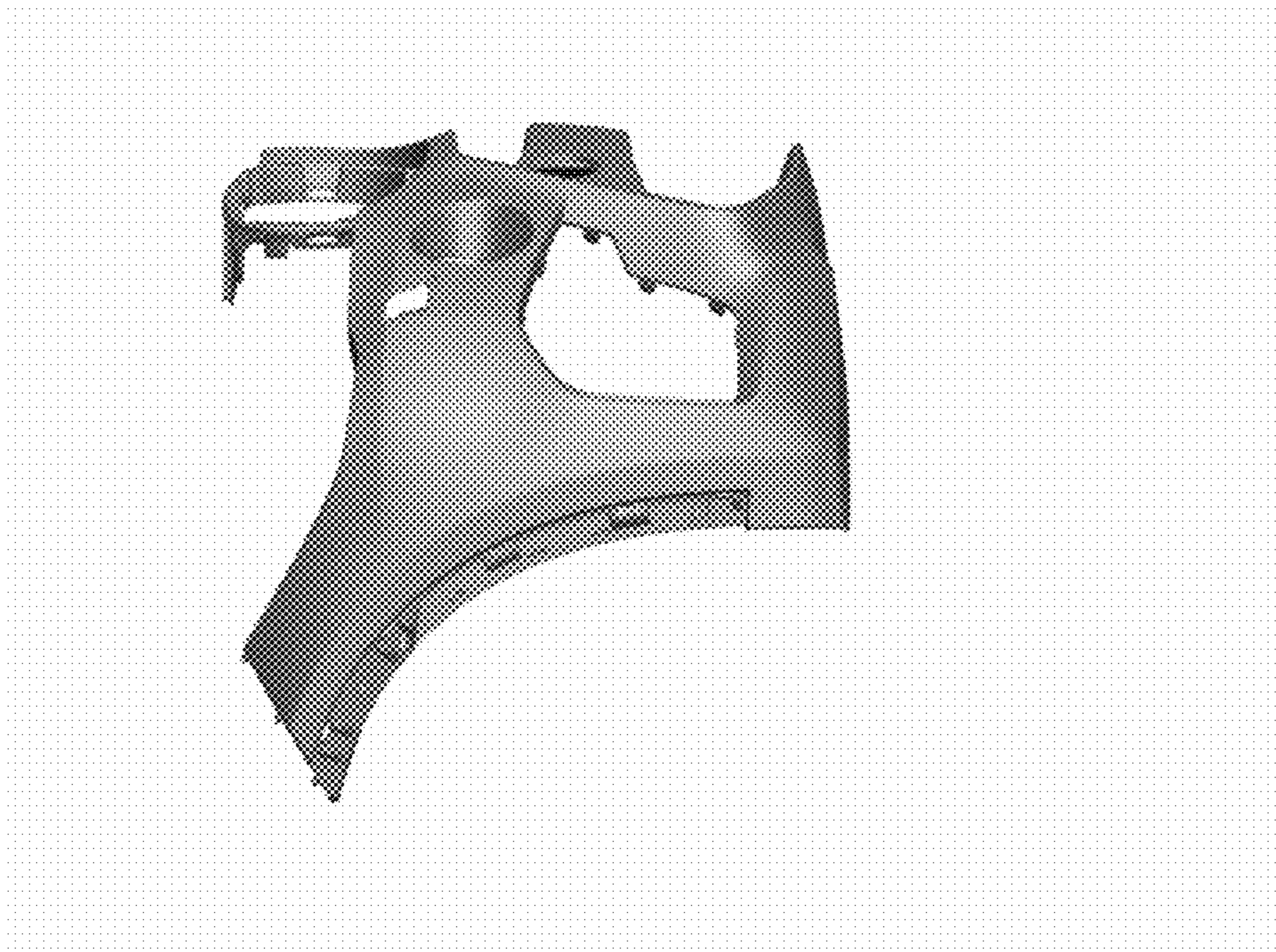


Fig. 5

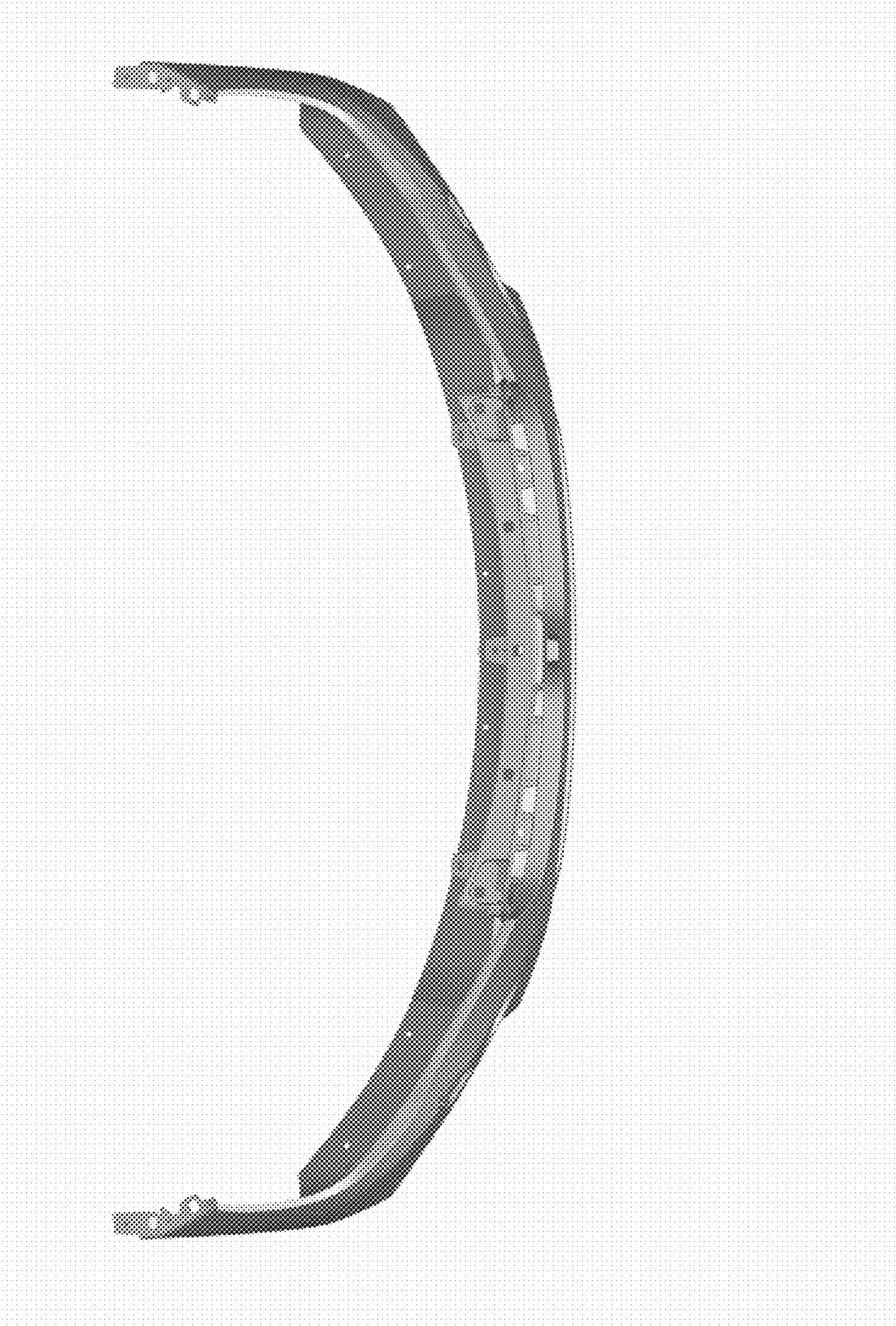


Fig. 6



Fig. 7



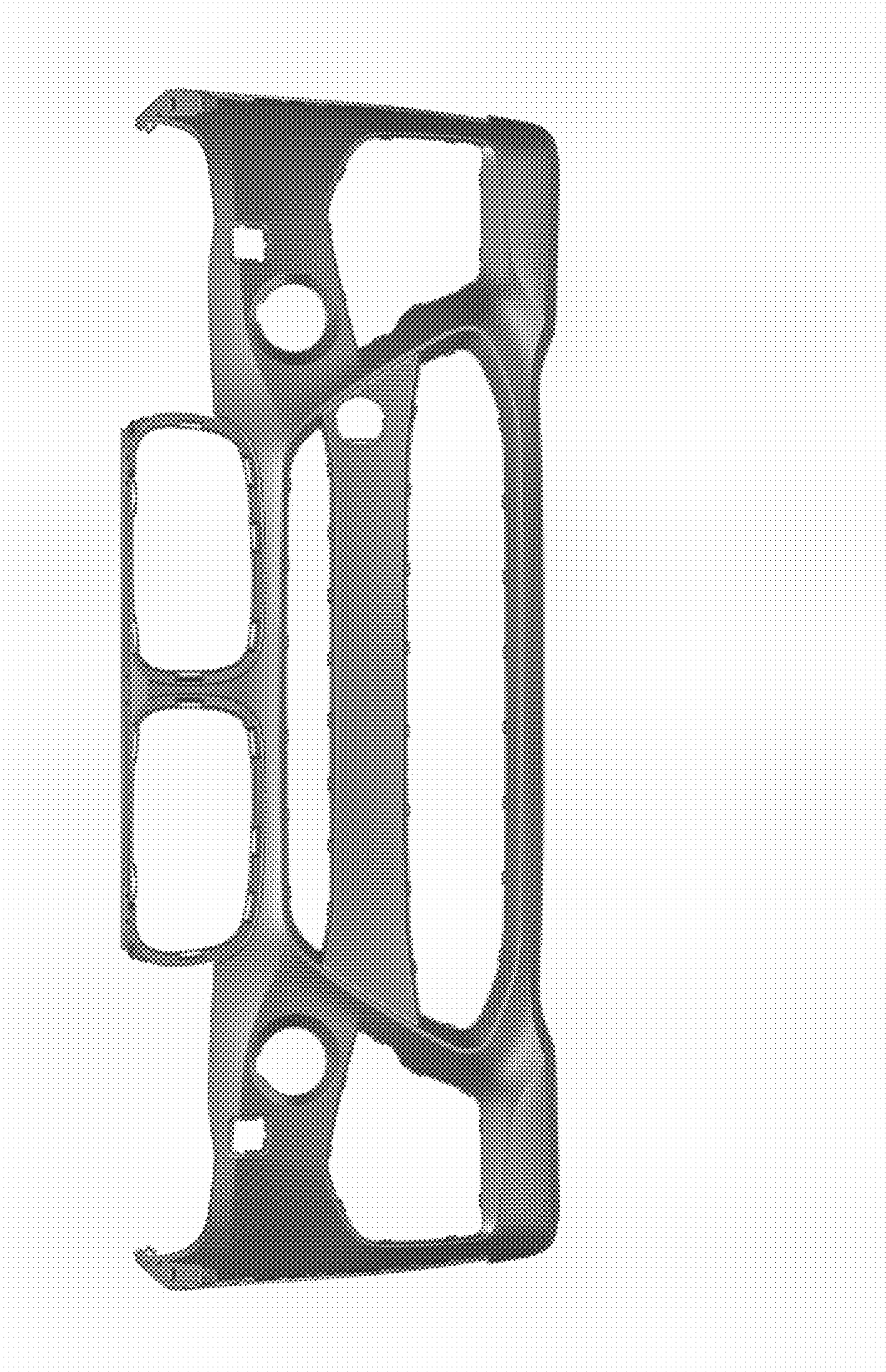


Fig. 8