



US00D748542S

(12) **United States Design Patent**
Horiuchi et al.

(10) **Patent No.:** **US D748,542 S**
(45) **Date of Patent:** **** Feb. 2, 2016**

(54) **FRONT BUMPER FOR AUTOMOBILE**

(71) Applicant: **Nissan Motor Co., Ltd.**, Yokohama,
Kanagawa (JP)

(72) Inventors: **Osamu Horiuchi**, Kanagawa (JP);
Shinya Momokawa, Kanagawa (JP);
Naoyuki Ohkoshi, Kanagawa (JP)

(73) Assignee: **Nissan Motor Co., Ltd.**, Yokohama (JP)

(**) Term: **14 Years**

(21) Appl. No.: **29/502,838**

(22) Filed: **Sep. 19, 2014**

(30) **Foreign Application Priority Data**

Mar. 19, 2014 (JP) 2014-005806

(51) **LOC (10) Cl.** **12-16**

(52) **U.S. Cl.**
USPC **D12/169**

(58) **Field of Classification Search**
USPC D12/169, 216, 90-92, 86, 171, 196,
D12/163; 293/102, 113, 115, 117, 120;
296/180.1, 180.2
CPC . B60R 19/52; B60R 2019/25; B62D 25/0845
See application file for complete search history.

(56) **References Cited**

U.S. PATENT DOCUMENTS

| | | | |
|--------------|---------|---------------|---------|
| D578,450 S | 10/2008 | Jodo et al. | |
| D631,406 S | 1/2011 | Kuze | |
| D659,607 S * | 5/2012 | Robinson | D12/169 |
| D679,226 S * | 4/2013 | Schmeckpeper | D12/169 |
| D682,754 S * | 5/2013 | Robinson | D12/169 |
| D684,099 S * | 6/2013 | McCabe et al. | D12/169 |
| D684,904 S | 6/2013 | Tase et al. | |
| D695,163 S * | 12/2013 | Scheinhutte | D12/169 |

| | | | |
|--------------|---------|-----------------|---------|
| D700,114 S * | 2/2014 | Wada | D12/169 |
| D703,117 S * | 4/2014 | Osborne et al. | D12/169 |
| D704,604 S * | 5/2014 | Okumoto | D12/169 |
| D708,997 S * | 7/2014 | Koizumi et al. | D12/169 |
| D712,803 S * | 9/2014 | Scheinhutte | D12/169 |
| D712,804 S * | 9/2014 | Scheinhutte | D12/169 |
| D717,219 S * | 11/2014 | Murakawa et al. | D12/169 |
| D719,072 S * | 12/2014 | Robinson | D12/169 |
| D721,021 S * | 1/2015 | Hanaoka | D12/169 |
| D733,623 S * | 7/2015 | Robinson | D12/169 |

FOREIGN PATENT DOCUMENTS

| | | |
|----|------------|---------|
| JP | D1400594 S | 11/2010 |
| JP | D1438614 S | 4/2012 |
| JP | D1443407 S | 6/2012 |
| JP | D1446225 S | 7/2012 |
| JP | D1434900 S | 2/2013 |
| JP | D1461045 S | 2/2013 |

(Continued)

Primary Examiner — Melody N Brown

(74) *Attorney, Agent, or Firm* — Global IP Counselors, LLP

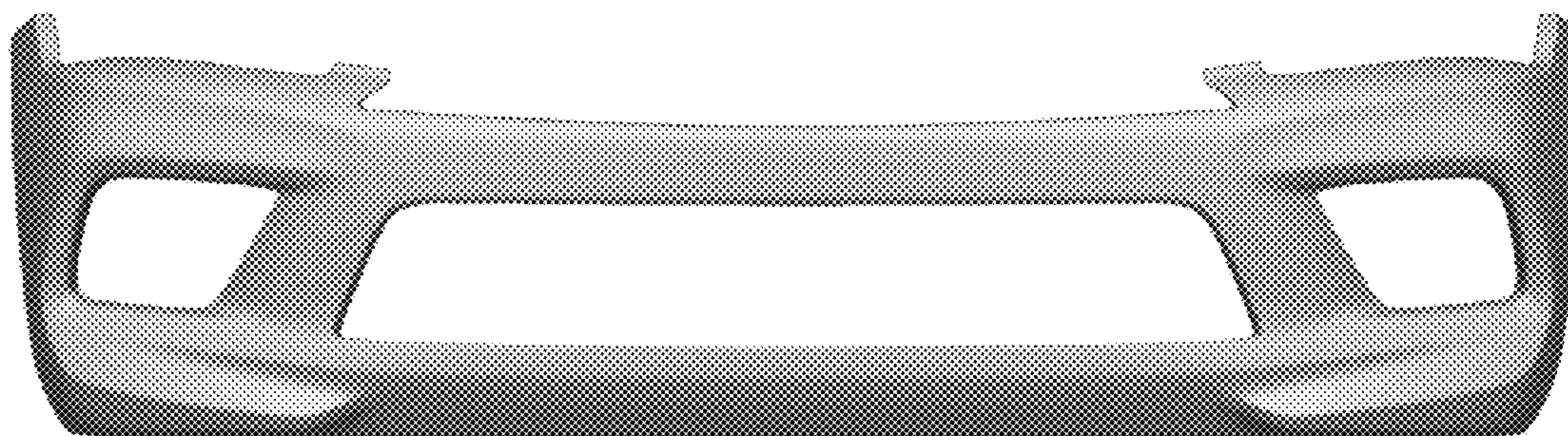
(57) **CLAIM**

The ornamental design for a front bumper for an automobile, as shown and described.

DESCRIPTION

FIG. 1 is a front elevational view of a front bumper for an automobile showing our new design;
FIG. 2 is a top plan view thereof;
FIG. 3 is a bottom plan view thereof;
FIG. 4 is a right side elevational view thereof;
FIG. 5 is a left side elevational thereof;
FIG. 6 is a top, front and right side perspective view thereof; and,
FIG. 7 is a bottom, front and left side perspective view thereof.
The rear view of the front bumper forms no part of the claimed design.

1 Claim, 7 Drawing Sheets



(56)

References Cited

FOREIGN PATENT DOCUMENTS

JP D1447208 S 7/2013
JP D1484787 S 11/2013
JP D1486680 S 12/2013
JP D1444700 S 6/2014
JP D1498619 S 6/2014
JP D1499097 S 6/2014

JP D1501243 S 6/2014
JP D1501909 S 7/2014
JP D1505290 S 8/2014
JP D1518119 S 2/2015
JP D1518985 S 3/2015
JP D1526238 S 6/2015
JP D1526536 S 6/2015
JP D1531252 S 8/2015

* cited by examiner

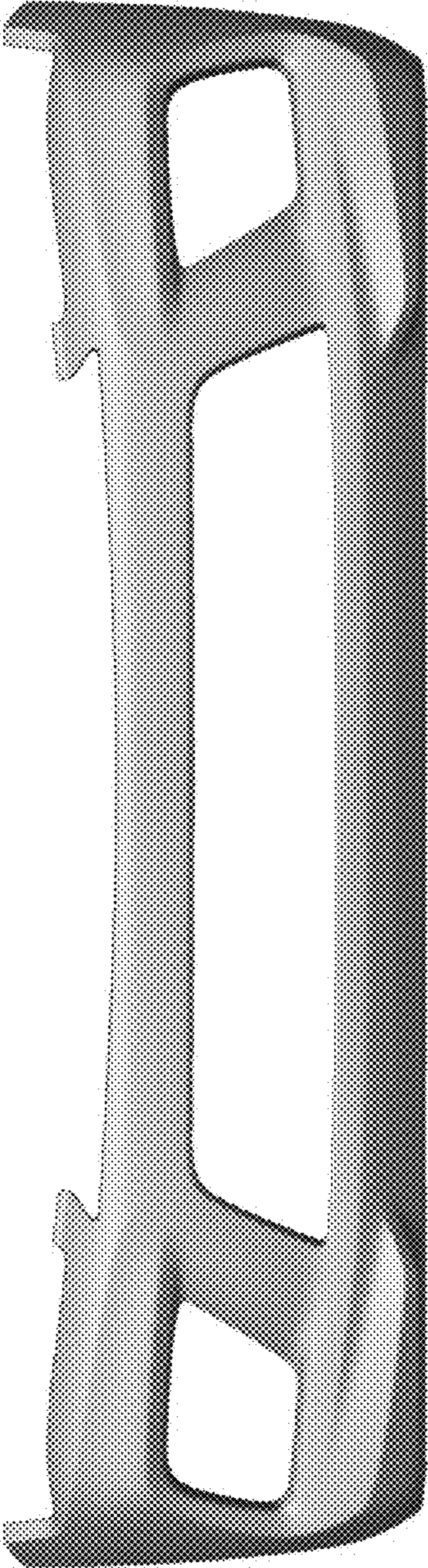


FIG. 1

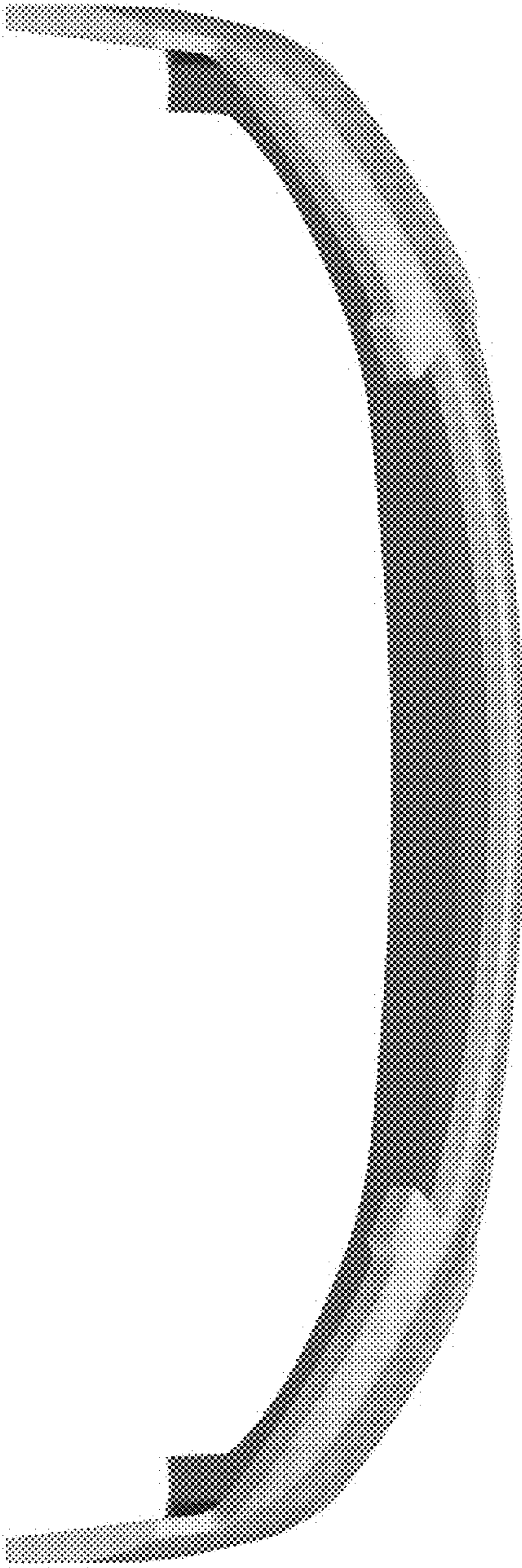


FIG. 2

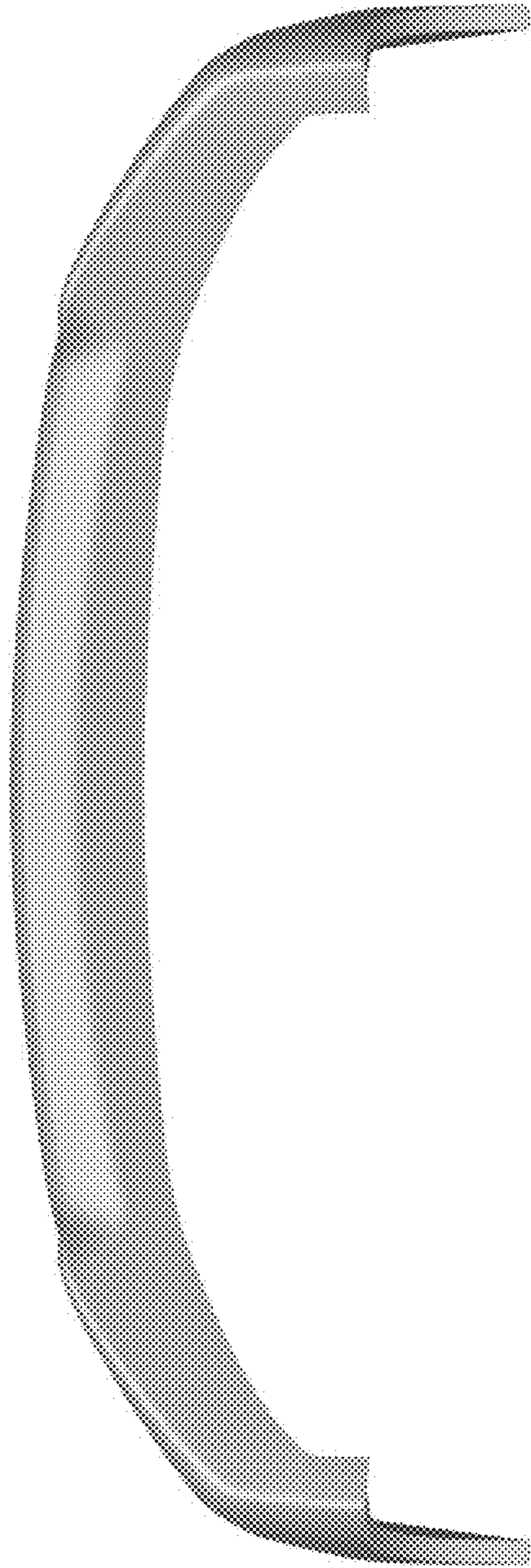


FIG. 3

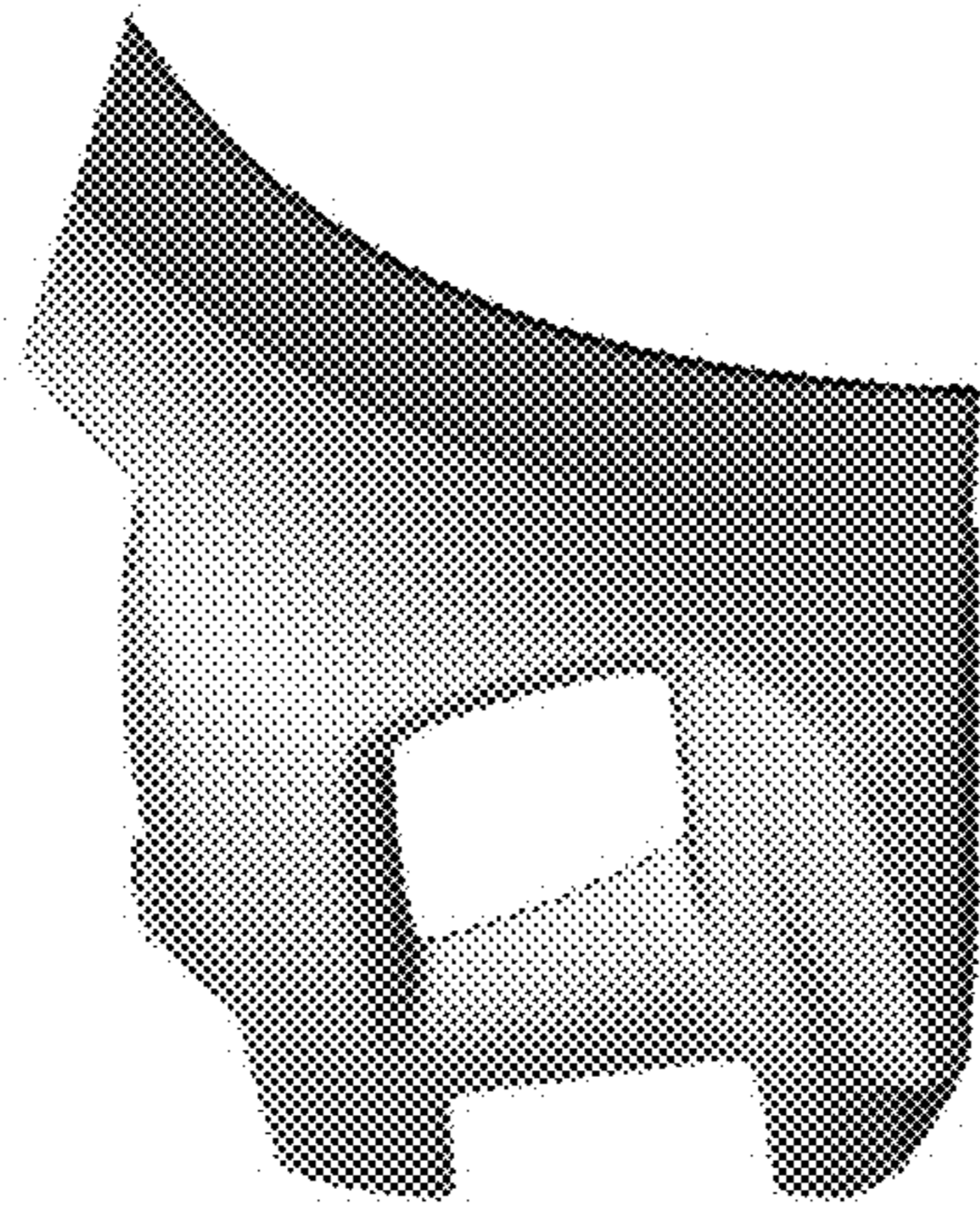


FIG. 4

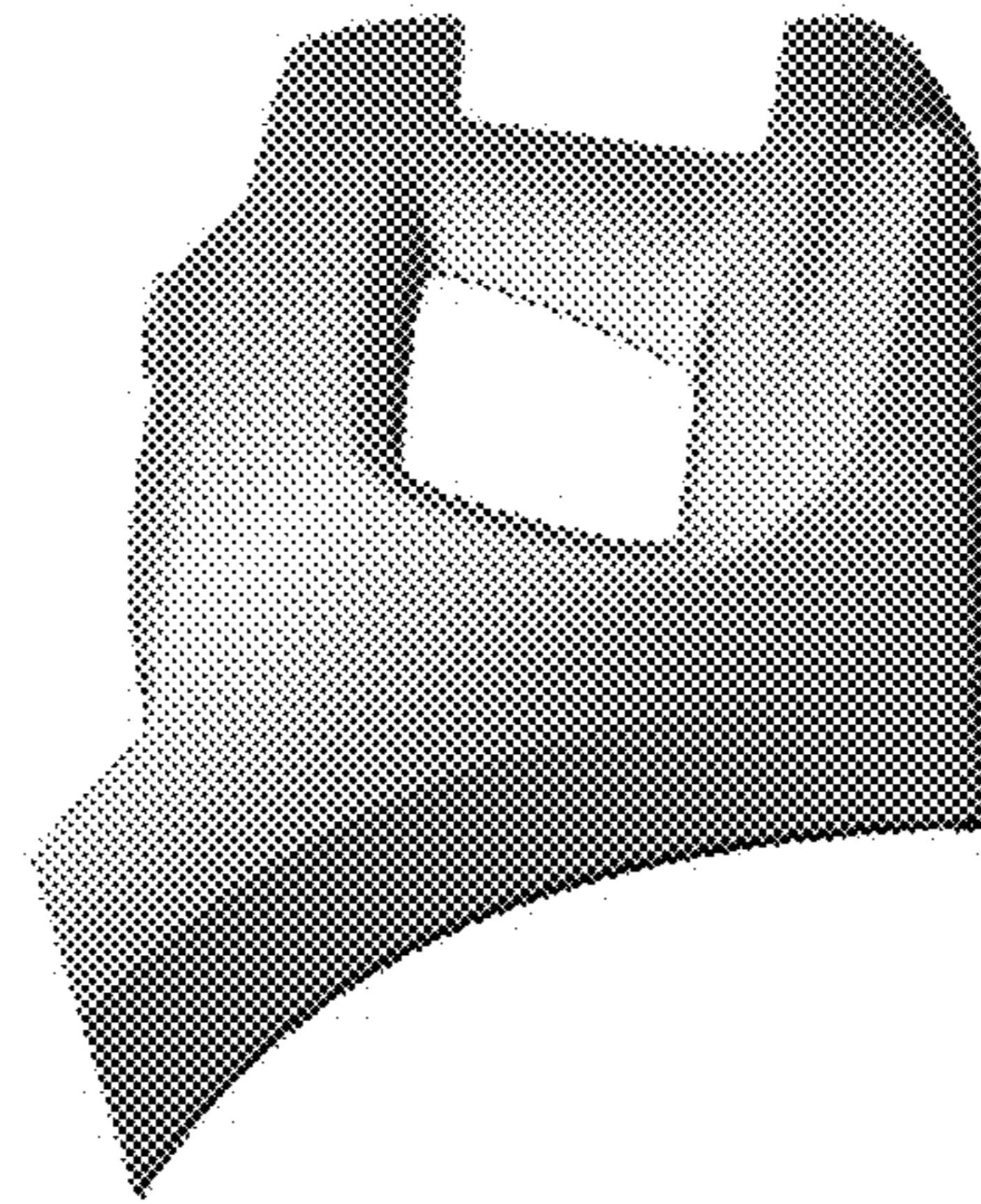


FIG. 5

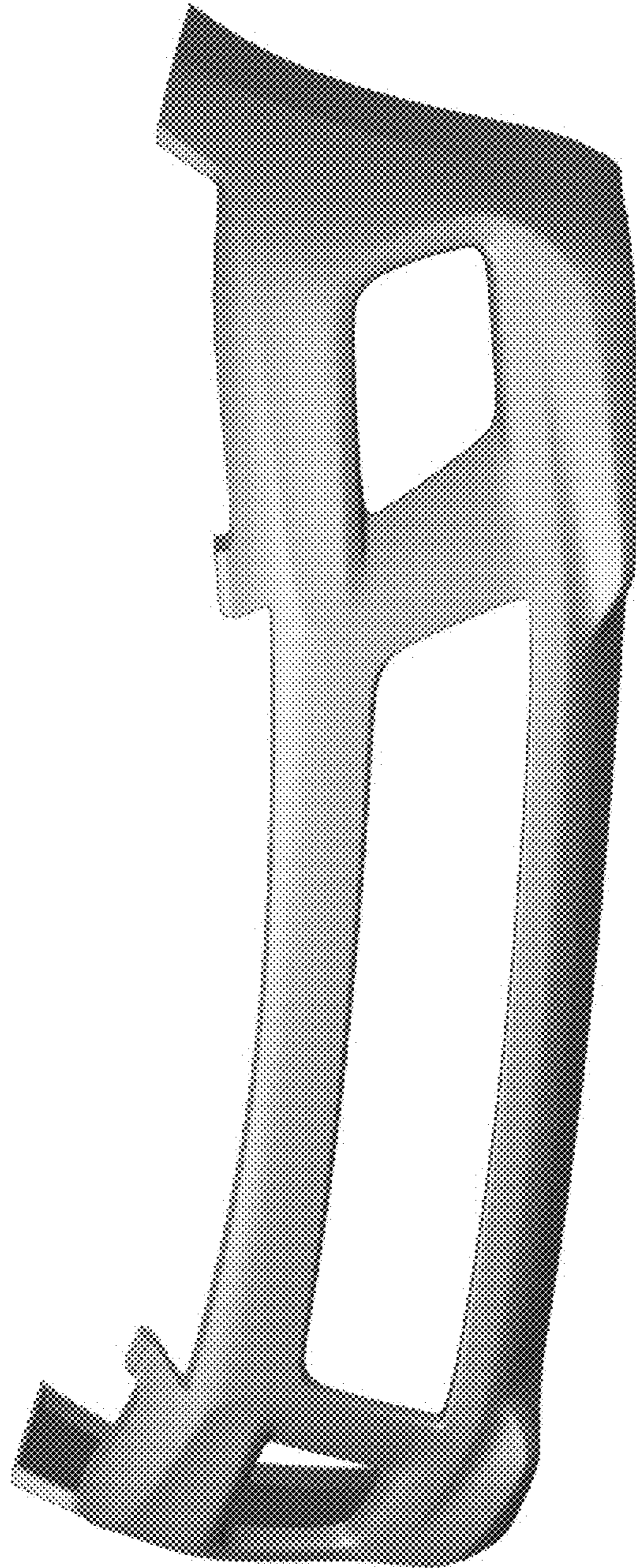


FIG. 6

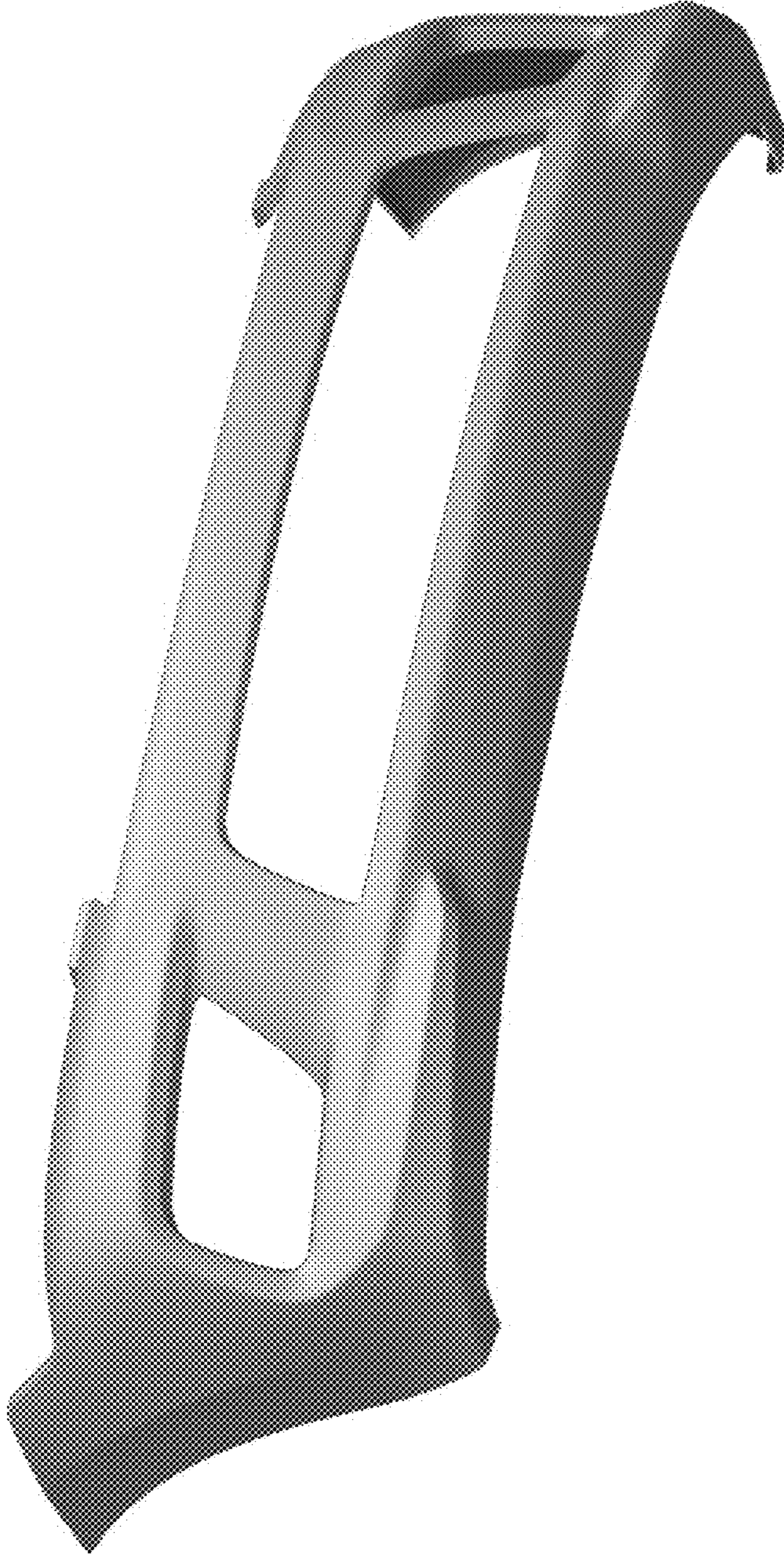


FIG. 7