



US00D748541S

(12) **United States Design Patent**  
**Jamieson**

(10) **Patent No.:** **US D748,541 S**  
(45) **Date of Patent:** **\*\* Feb. 2, 2016**

(54) **VEHICLE REAR EXHAUST DIFFUSER**  
(71) Applicant: **GM GLOBAL TECHNOLOGY OPERATIONS LLC**, Detroit, MI (US)  
(72) Inventor: **Stuart Jamieson**, Burbank, CA (US)  
(73) Assignee: **GM Global Technology Operations LLC**, Detroit, MI (US)  
(\*\*) Term: **14 Years**

D619,509 S \* 7/2010 Choi ..... D12/164  
D640,617 S \* 6/2011 Furst ..... D12/169  
D643,349 S \* 8/2011 Schell et al. .... D12/169  
D643,789 S \* 8/2011 Bauer et al. .... D12/169  
D670,625 S \* 11/2012 Frei et al. .... D12/169  
D671,049 S \* 11/2012 Davidson et al. .... D12/169  
D679,636 S \* 4/2013 Schmeckpeper ..... D12/169  
D695,164 S \* 12/2013 Futschik et al. .... D12/169  
D708,994 S \* 7/2014 Thurber ..... D12/169  
D712,805 S \* 9/2014 Murkett ..... D12/169  
D714,199 S \* 9/2014 Ito et al. .... D12/196  
D718,678 S \* 12/2014 Ishizuka et al. .... D12/169  
D718,680 S \* 12/2014 Galante et al. .... D12/169

(21) Appl. No.: **29/482,195**  
(22) Filed: **Feb. 14, 2014**  
(51) **LOC (10) Cl.** ..... **12-16**  
(52) **U.S. Cl.**  
USPC ..... **D12/169**  
(58) **Field of Classification Search**  
USPC ..... D12/169, 196, 171, 90-92, 93, 86, 82;  
293/102, 113, 115, 117, 120, 142;  
296/181.1, 181.5  
CPC ..... B60K 13/00; B60K 13/04; B60K 13/06  
See application file for complete search history.

\* cited by examiner

*Primary Examiner* — Eric Goodman  
*Assistant Examiner* — Clese Moore, Jr.  
(74) *Attorney, Agent, or Firm* — Mickki D. Murray, Esq.;  
Parks Wood LLC

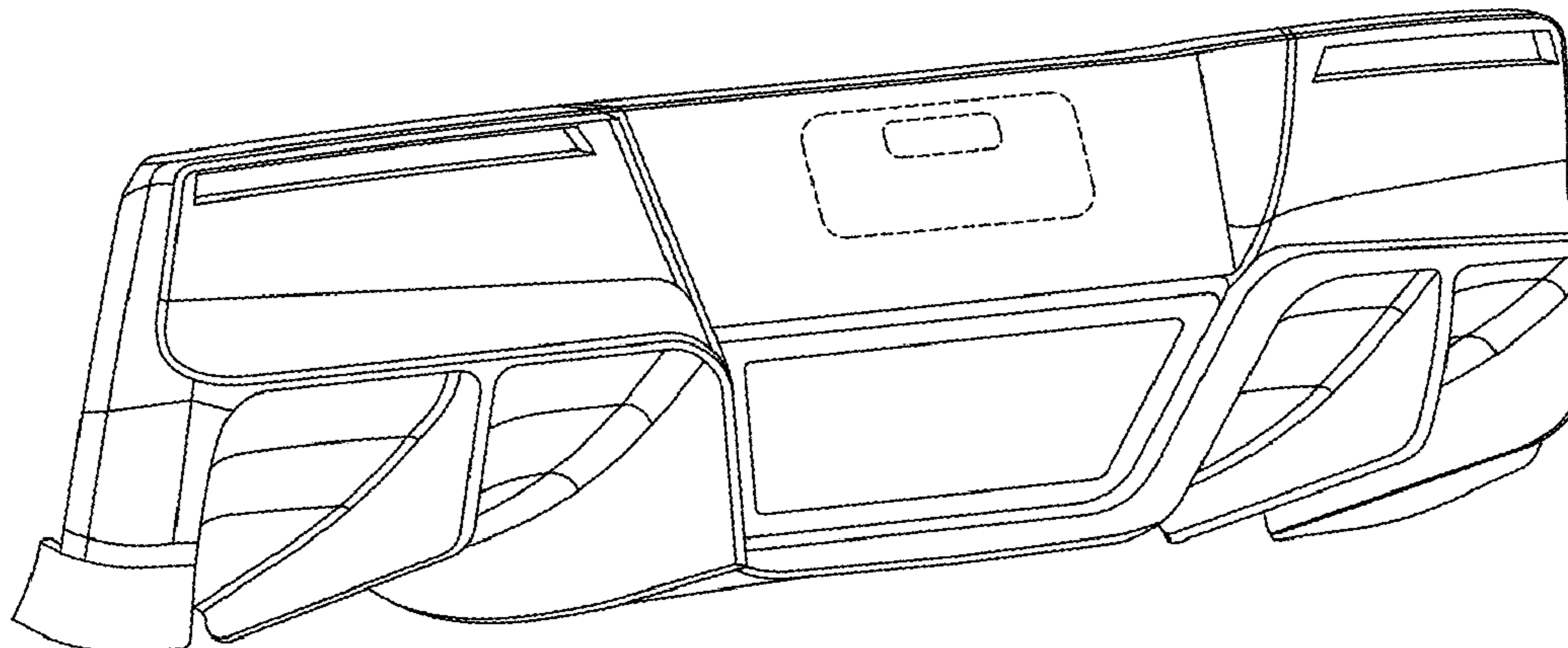
(57) **CLAIM**  
The ornamental design for a vehicle rear exhaust diffuser, as shown and described.

**DESCRIPTION**

FIG. 1 is a perspective view of a vehicle rear exhaust diffuser showing the new design;  
FIG. 2 is a bottom view, thereof;  
FIG. 3 is a front view thereof; and,  
FIG. 4 is a side elevation view thereof.  
The broken lines shown in the drawings illustrate portions of the vehicle rear exhaust diffuser that form no part of the claimed design.

(56) **References Cited**  
U.S. PATENT DOCUMENTS  
D447,988 S \* 9/2001 Tampi ..... D12/169  
D462,038 S \* 8/2002 Yokomaku ..... D12/169  
D481,657 S \* 11/2003 Chan ..... D12/169  
D508,880 S \* 8/2005 Minami ..... D12/169  
D543,920 S \* 6/2007 Lai ..... D12/196  
D559,744 S \* 1/2008 Hieke ..... D12/169  
D559,746 S \* 1/2008 Hieke ..... D12/169

**1 Claim, 1 Drawing Sheet**



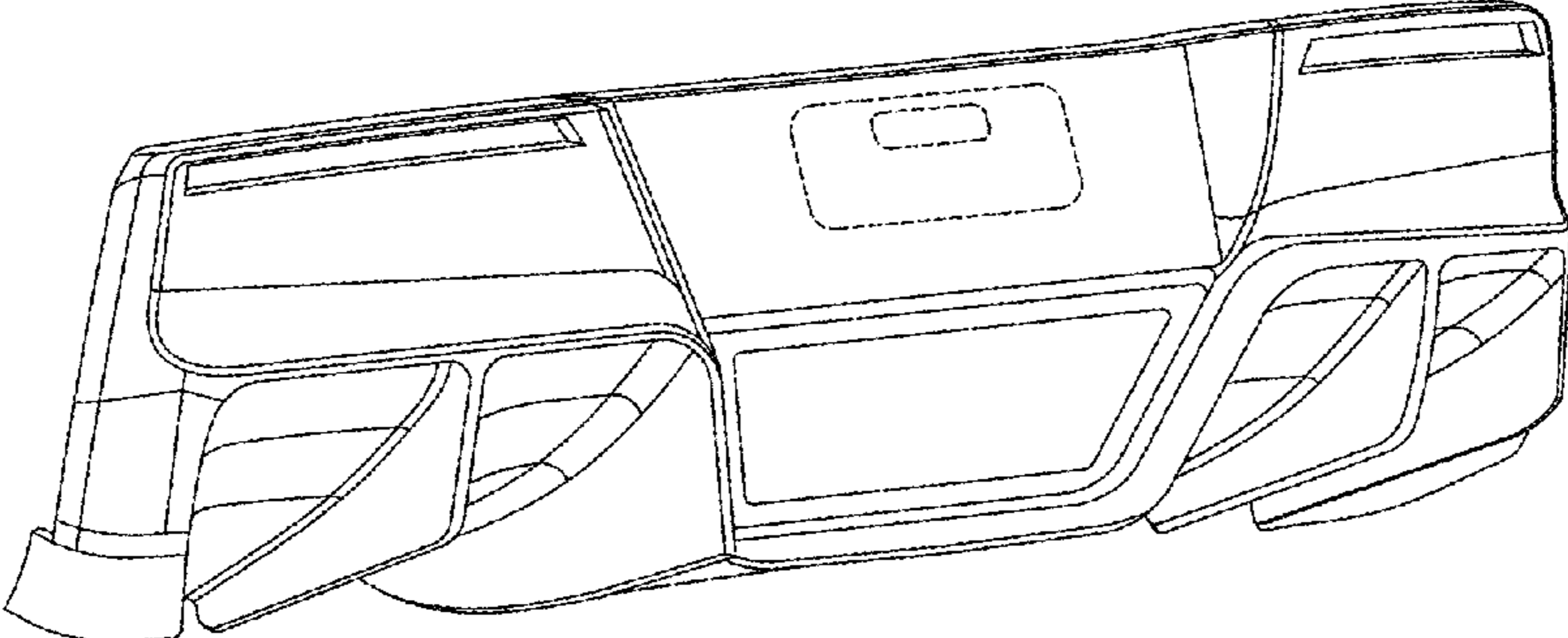


Fig-1

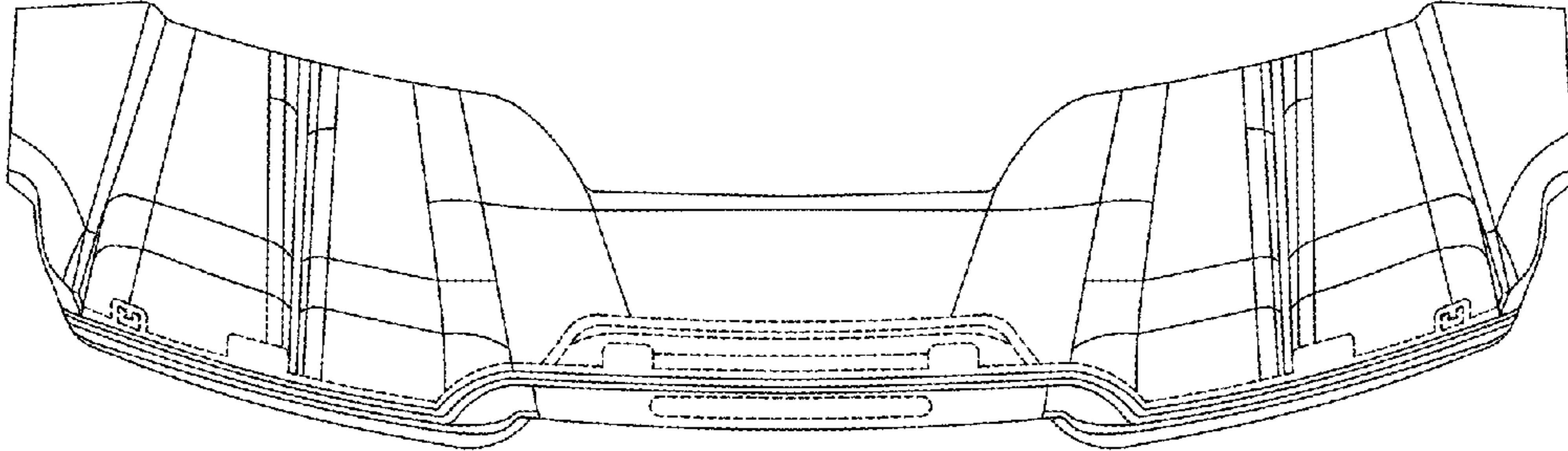


Fig-2

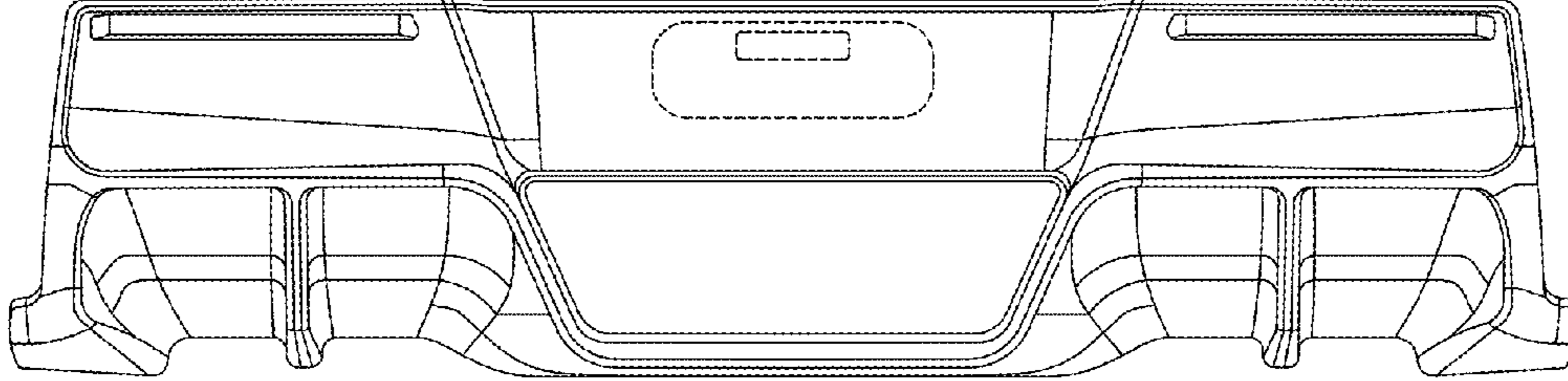


Fig-3

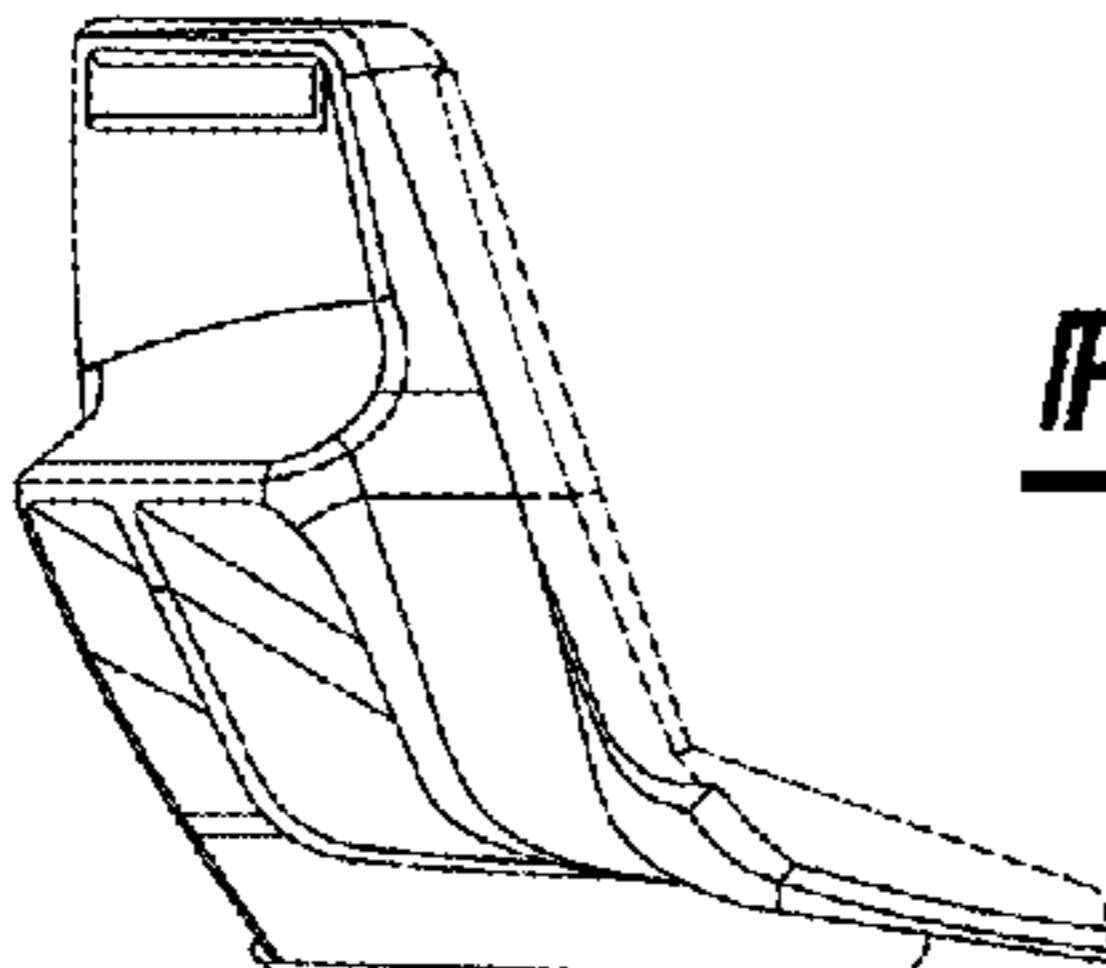


Fig-4