



US00D748538S

(12) **United States Design Patent**
Waldner

(10) **Patent No.:** **US D748,538 S**

(45) **Date of Patent:** **** Feb. 2, 2016**

(54) **HITCH MOUNTING**

(71) Applicant: **Crystal Spring Colony Farms Ltd., St Agathe (CA)**

(72) Inventor: **David Waldner, St. Agathe (CA)**

(73) Assignee: **Crystal Spring Colony Farms Ltd, Ste. Agathe, MB (CA)**

(**) Term: **14 Years**

(21) Appl. No.: **29/512,308**

(22) Filed: **Dec. 18, 2014**

(51) **LOC (10) Cl.** **12-16**

(52) **U.S. Cl.**
USPC **D12/162**

(58) **Field of Classification Search**
USPC D12/162, 159, 160, 161
CPC B60D 1/065; B60D 1/00; B60D 1/60;
B60D 1/06

See application file for complete search history.

(56) **References Cited**

U.S. PATENT DOCUMENTS

D705,704 S *	5/2014	Lane	D12/162
D708,099 S *	7/2014	Oman	D12/162
D709,804 S *	7/2014	Provost	D12/162
D709,805 S *	7/2014	Hill	D12/162
D714,194 S *	9/2014	DePietro	D12/162
D729,703 S *	5/2015	Song	D12/162

D729,704 S *	5/2015	Song	D12/162
D737,734 S *	9/2015	McGinnes	D12/162
D738,796 S *	9/2015	DePietro	D12/162

* cited by examiner

Primary Examiner — Katrina A Betton

(74) *Attorney, Agent, or Firm* — Adrian D. Battison; Ade & Company Inc.

(57) **CLAIM**

The ornamental design for a hitch mounting, as shown and described.

DESCRIPTION

FIG. 1 is a first isometric view from the front and one side of the hitch mounting showing the design

FIG. 2 is a front elevational view of the hitch mounting showing the design

FIG. 3 is a right side elevational view of the hitch mounting showing the design

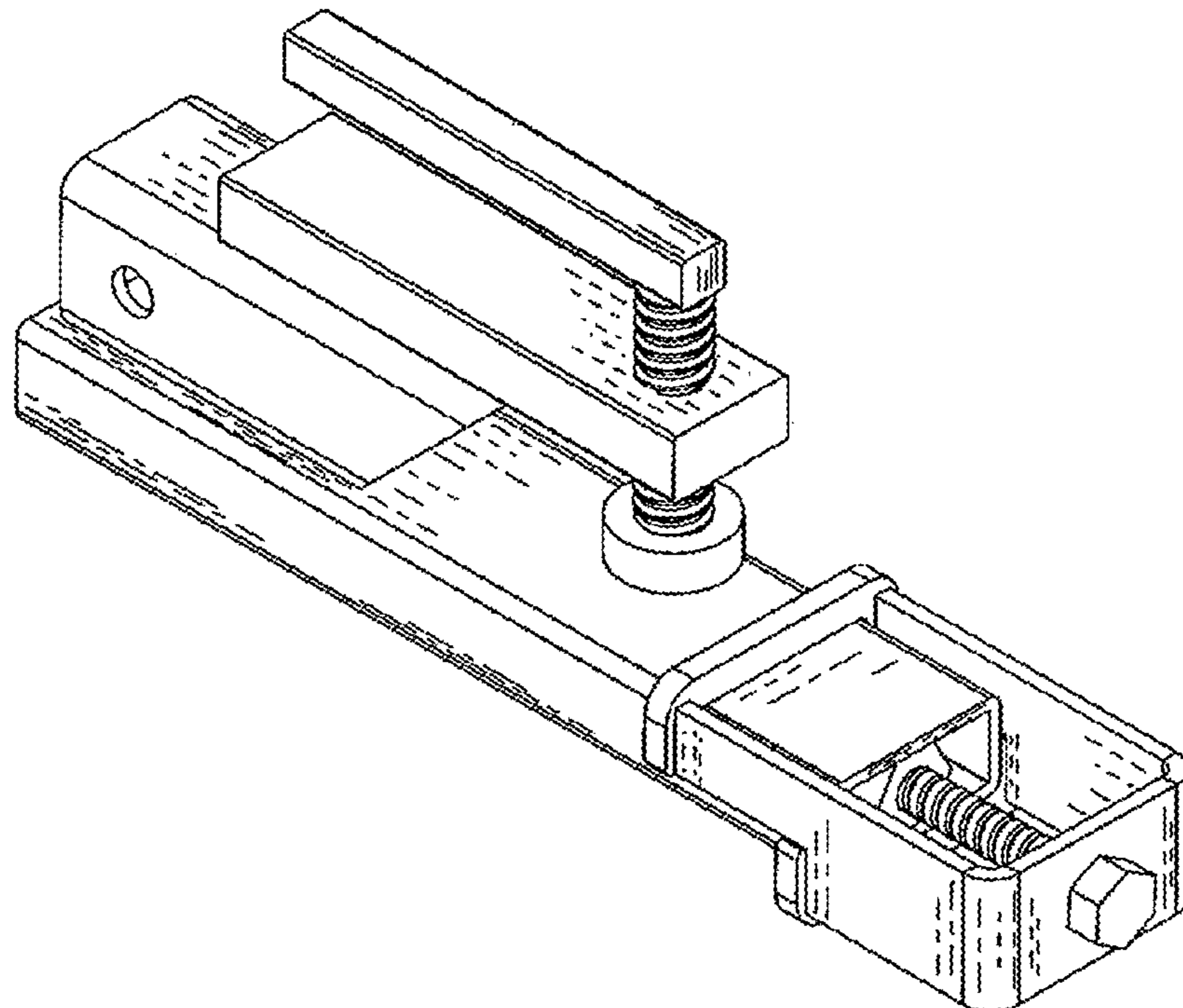
FIG. 4 is a left side elevational view of the hitch mounting showing the design

FIG. 5 is a top plan view of the hitch mounting showing the design

FIG. 6 is a bottom plan view of the hitch mounting showing the design; and,

FIG. 7 is a rear elevational view of the hitch mounting showing the design.

1 Claim, 7 Drawing Sheets



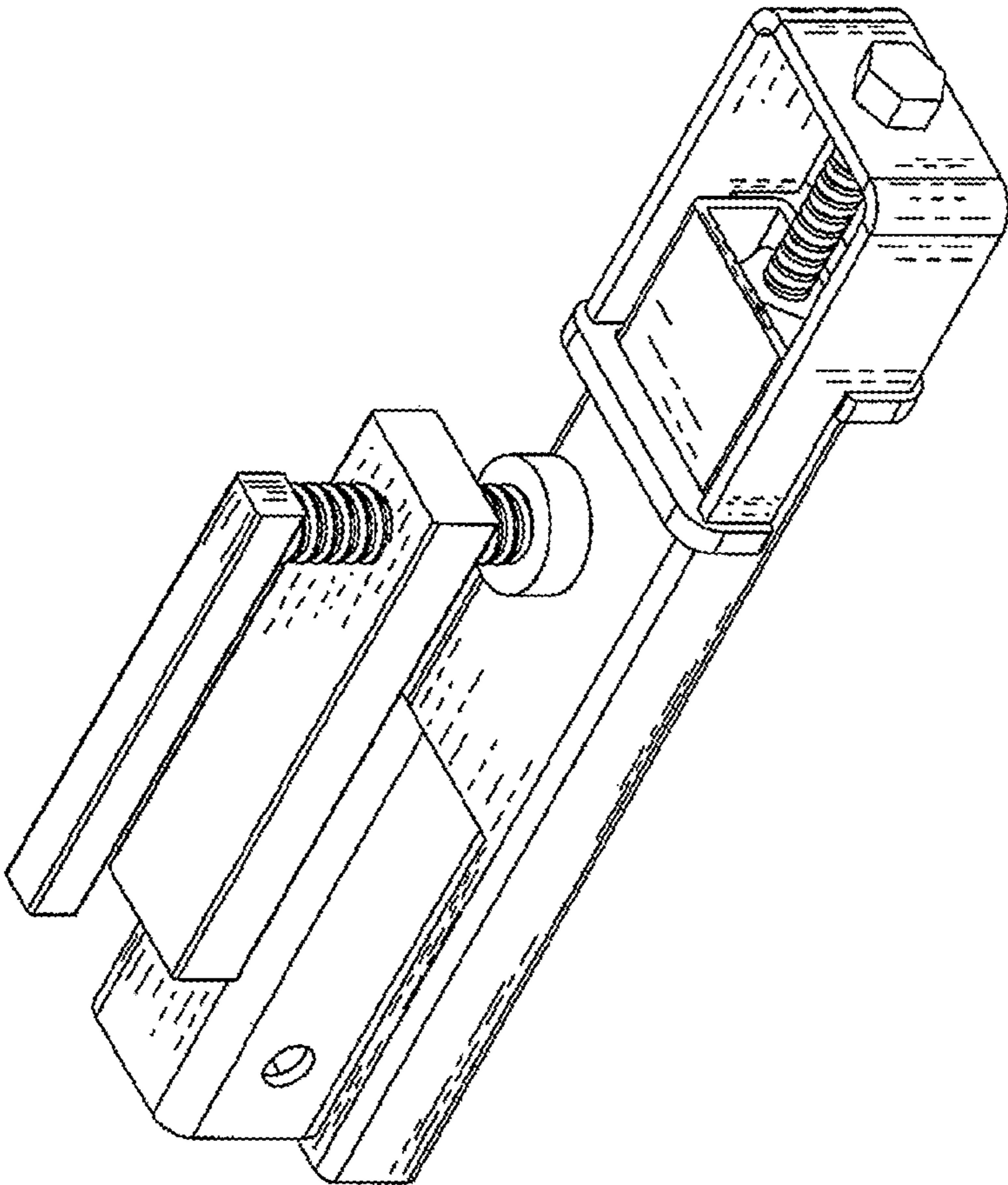


Figure 1

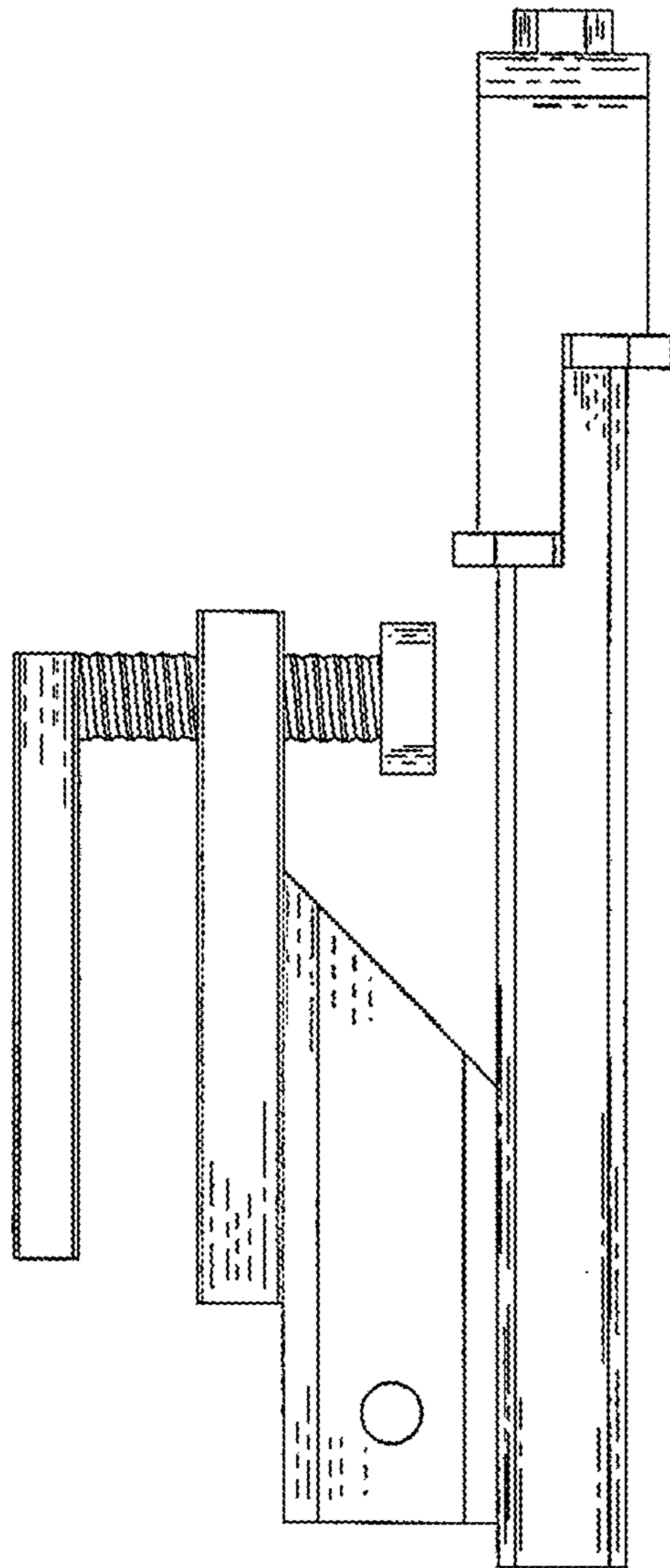


Figure 2

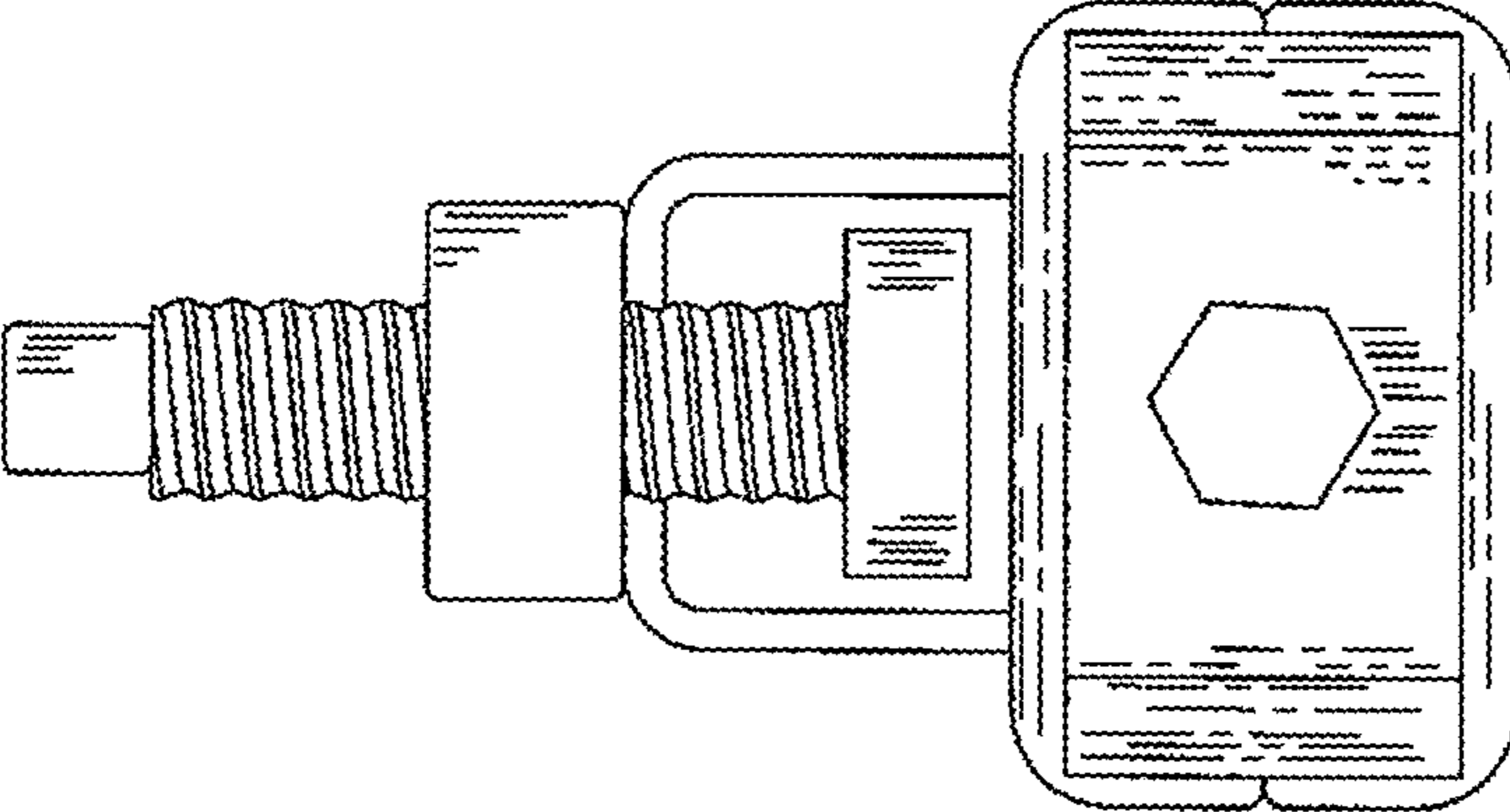


Figure 3

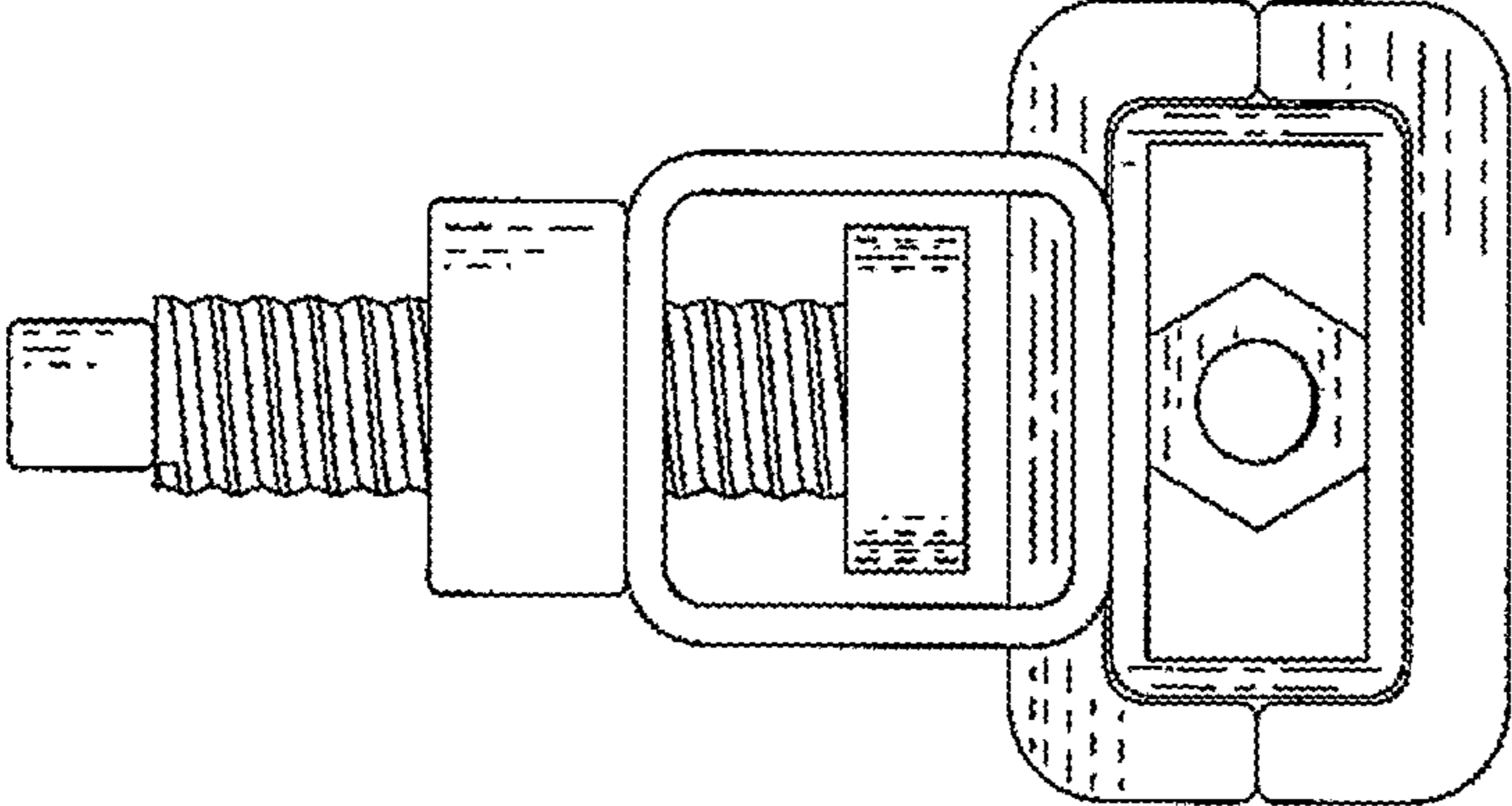


Figure 4

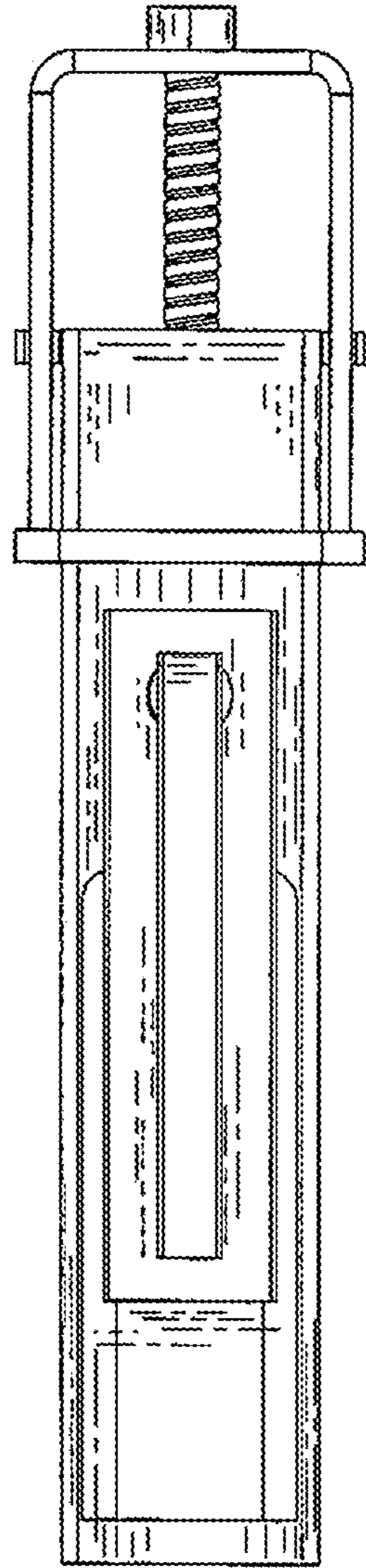


Figure 5

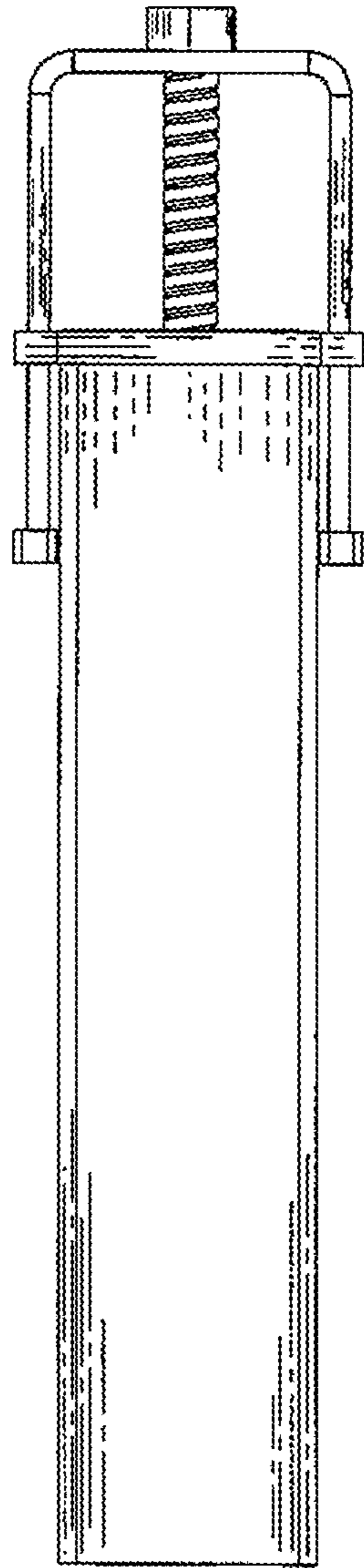


Figure 6

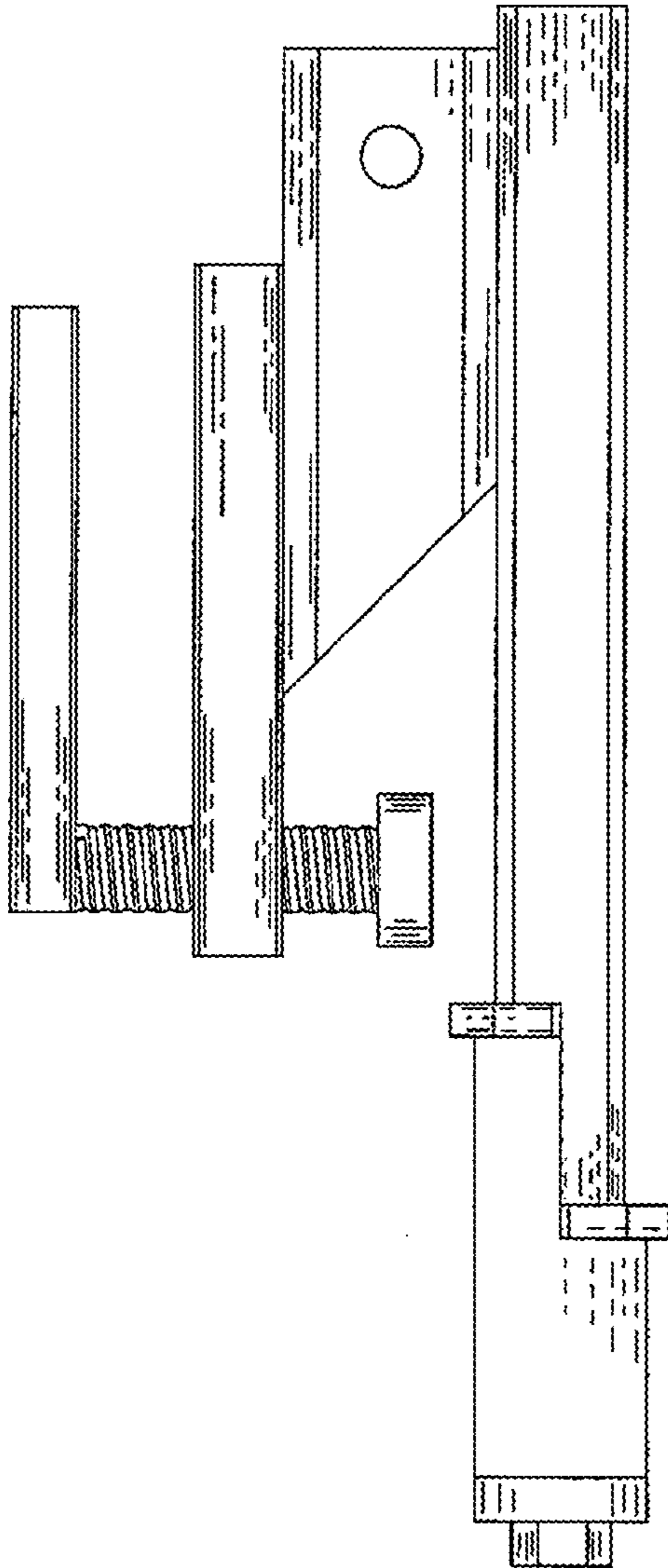


Figure 7