



US00D748537S

(12) **United States Design Patent**
Hillenbrand, II et al.

(10) **Patent No.:** **US D748,537 S**
(45) **Date of Patent:** **** Feb. 2, 2016**

(54) **RETAINER FOR A PATIENT REPOSITIONING SYSTEM**

3,757,359 A 9/1973 Stelman
3,875,623 A 4/1975 Johnston
3,962,736 A 6/1976 Fedele

(71) Applicant: **Hillenbrand Management Company LLC**, Batesville, IN (US)

(Continued)

(72) Inventors: **William A. Hillenbrand, II**, Batesville, IN (US); **Timothy Savage**, Batesville, IN (US); **Joseph Kummer**, Cincinnati, OH (US); **Jeffrey Woodall**, Greenfield, IN (US); **Andrew Rogier**, Batesville, IN (US); **David Hornbach**, Brookville, IN (US); **Antonio J. Belton**, Richton Park, IL (US)

Primary Examiner — Susan Bennett Hattan

Assistant Examiner — Charles Hanson

(74) *Attorney, Agent, or Firm* — Wood, Herron & Evans, LLP

(57) **CLAIM**

The ornamental design for a retainer for a patient repositioning system, as shown and described.

DESCRIPTION

(73) Assignee: **Hillenbrand Management Company LLC**, Batesville, IN (US)

FIG. 1 is a perspective view of an environment and first embodiment of a retainer for a patient repositioning system according to the present invention.

(**) Term: **14 Years**

FIG. 2 is an enlarged perspective view of the retainer shown in FIG. 1.

(21) Appl. No.: **29/466,974**

FIG. 3 is a front view of the retainer shown in FIG. 2.

(22) Filed: **Sep. 13, 2013**

FIG. 4 is a right side view thereof; the left side view being a mirror image thereof.

(51) **LOC (10) Cl.** **12-12**

FIG. 5 is a top view thereof.

(52) **U.S. Cl.**
USPC **D12/133**

FIG. 6 is a bottom view thereof.

(58) **Field of Classification Search**

FIG. 7 is a rear view thereof.

USPC D12/128–133
CPC A61G 1/04; A61G 1/00; A61G 1/044;
A61G 1/048; A61G 1/0212; A61G 1/003;
A61G 1/0237; A61G 1/0231; A61G 1/0262;
A61G 1/052; A61G 1/0562; A61G 1/0567;
A61G 7/0504; A61G 7/103; A61G 7/1046;
A61G 13/105

FIG. 8 is another enlarged perspective view of the retainer shown in FIGS. 1-7 but shown in an alternate position (open).

FIG. 9 is a front view of the retainer shown in FIG. 8, in the alternate position.

See application file for complete search history.

FIG. 10 is a right side view thereof; the left side view being a mirror image thereof.

FIG. 11 is a top view thereof.

(56) **References Cited**

U.S. PATENT DOCUMENTS

1,659,755 A 10/1900 Moulton
2,761,153 A 9/1956 Mew
2,826,766 A 3/1958 Stoner
3,383,717 A 5/1968 Underwood

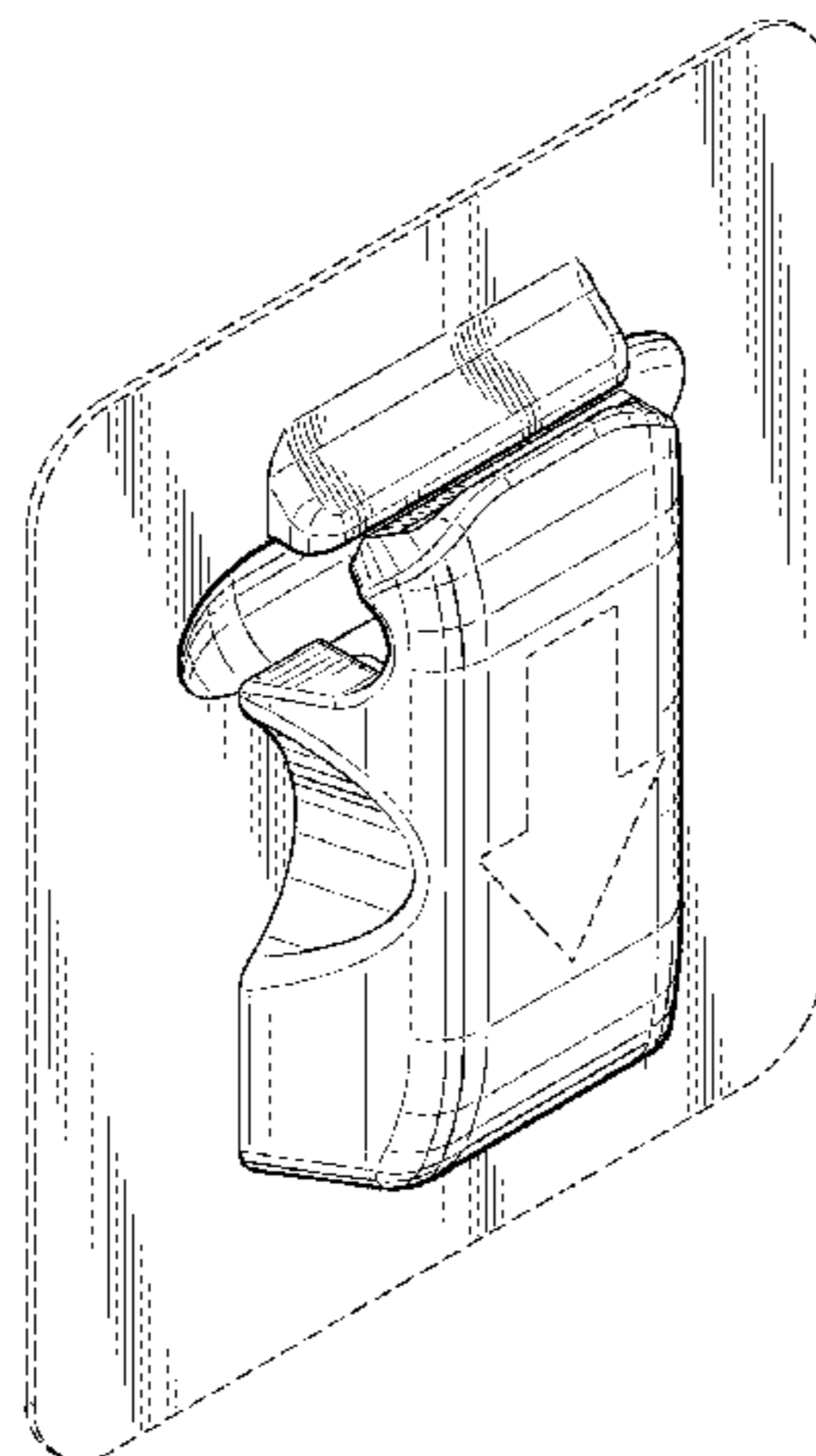
FIG. 12 is a bottom view thereof; and,

FIG. 13 is a rear view thereof.

The broken lines adjacent to shaded or sectional portions are an unclaimed boundary of the design and form no part of the claimed design.

The dash-dot lines are shown for environmental purpose only and form no part of the claimed design.

1 Claim, 9 Drawing Sheets



(56)

References Cited

U.S. PATENT DOCUMENTS

D280,024 S *	8/1985	Risi et al.	D25/113	5,325,554 A	7/1994	Lewis	
D289,992 S *	5/1987	Schrager	D12/132	5,377,391 A	1/1995	Foster	
4,747,170 A	5/1988	Knouse			5,469,588 A	11/1995	DiMatteo et al.	
4,776,047 A *	10/1988	DiMatteo	5/81.1 C	5,499,859 A	3/1996	Angell	
4,796,313 A	1/1989	DiMatteo et al.			5,692,272 A	12/1997	Woods	
4,799,273 A	1/1989	Elze			6,073,291 A *	6/2000	Davis 5/711
4,819,283 A	4/1989	DiMatteo et al.			6,611,974 B2	9/2003	Roit et al.	
4,821,352 A	4/1989	DiMatteo et al.			6,615,423 B2	9/2003	Sverdlik et al.	
4,837,872 A	6/1989	DiMatteo et al.			6,629,323 B2	10/2003	Sverdlik et al.	
4,837,873 A	6/1989	DiMatteo et al.			7,228,579 B2 *	6/2007	Tidwell 5/624
4,941,220 A	7/1990	DiMatteo et al.			7,458,113 B2	12/2008	Milam	
4,970,738 A *	11/1990	Cole	5/81.1 C	7,805,789 B1 *	10/2010	Dean 5/662
D312,992 S *	12/1990	Liebman	D12/128	7,904,976 B2 *	3/2011	Hakamiun et al. 5/53.1
5,020,171 A	6/1991	DiMatteo et al.			7,950,080 B2 *	5/2011	Brossart et al. 5/81.1 C
5,083,332 A *	1/1992	Foster et al.	5/185	8,087,109 B2	1/2012	Hillenbrand, II	
5,127,113 A	7/1992	DiMatteo et al.			8,108,957 B2 *	2/2012	Richards et al. 5/600
5,155,874 A	10/1992	Kershaw			8,156,582 B2	4/2012	Rupar et al.	
5,179,744 A *	1/1993	Foster et al.	5/600	8,397,327 B2 *	3/2013	O'Reagan 5/739
5,182,827 A	2/1993	Carrier et al.			8,453,276 B2	6/2013	Hillenbrand, II	
5,185,894 A	2/1993	Bastert et al.			8,555,440 B2 *	10/2013	Lewis 5/713
5,239,713 A	8/1993	Toivio et al.			8,584,279 B2 *	11/2013	Richards et al. 5/600
5,319,813 A	6/1994	DiMatteo et al.			8,756,725 B2 *	6/2014	Piegdon et al. 5/81.1 R
					8,984,681 B2 *	3/2015	Ponsi 5/81.1 R
					2012/0297544 A1	11/2012	Griswold et al.	
					2012/0299353 A1	11/2012	Griswold et al.	

* cited by examiner

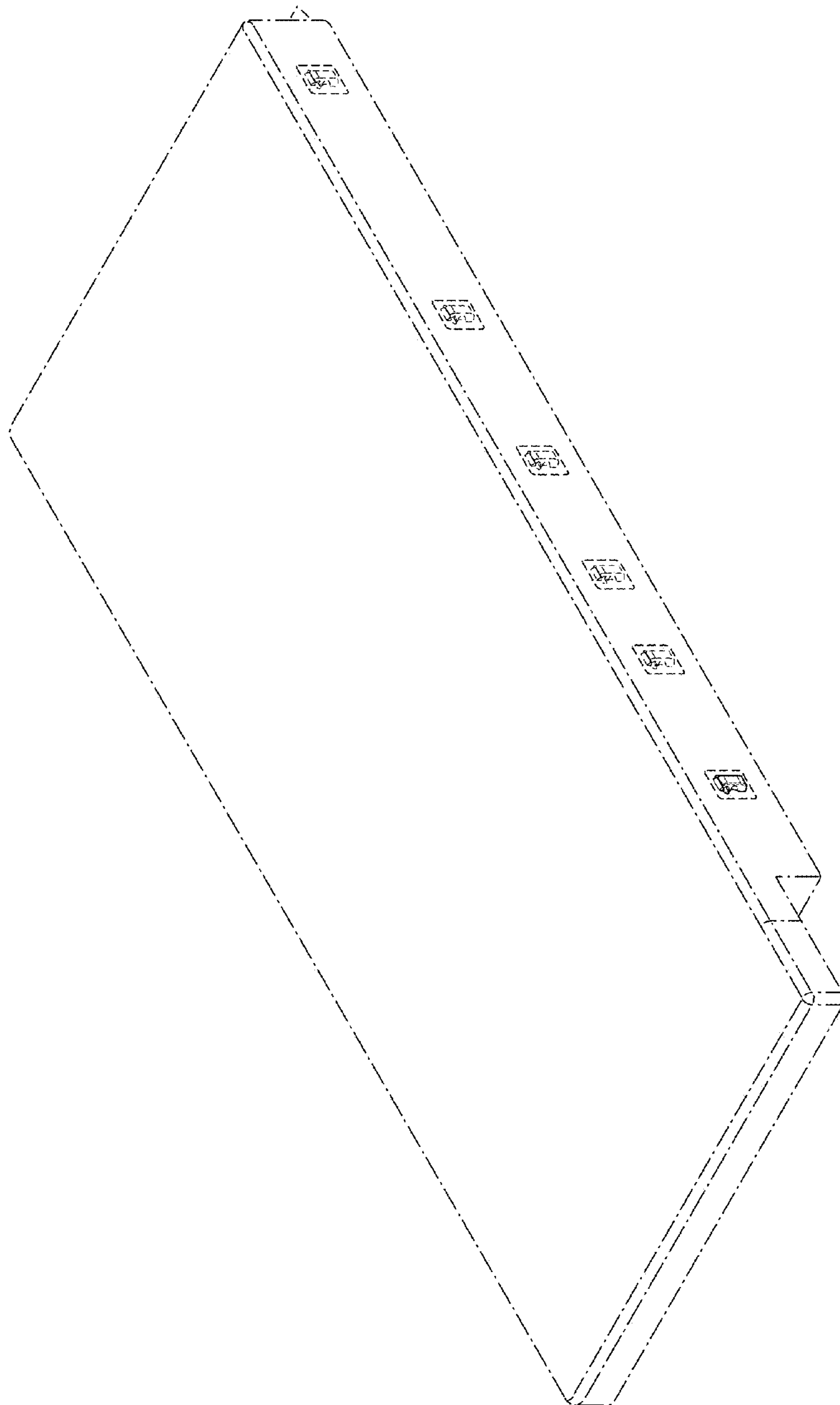


FIG. 1

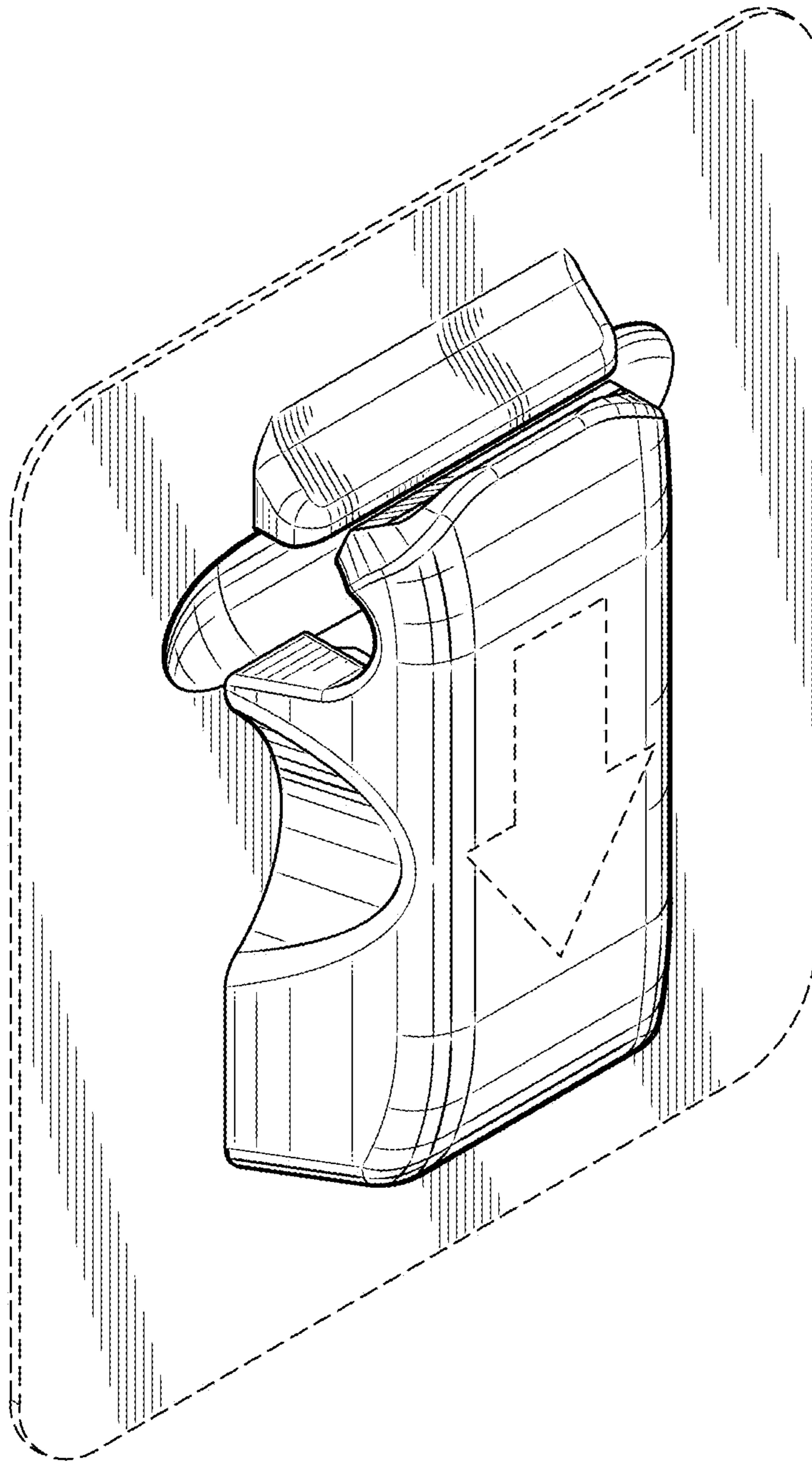


FIG. 2

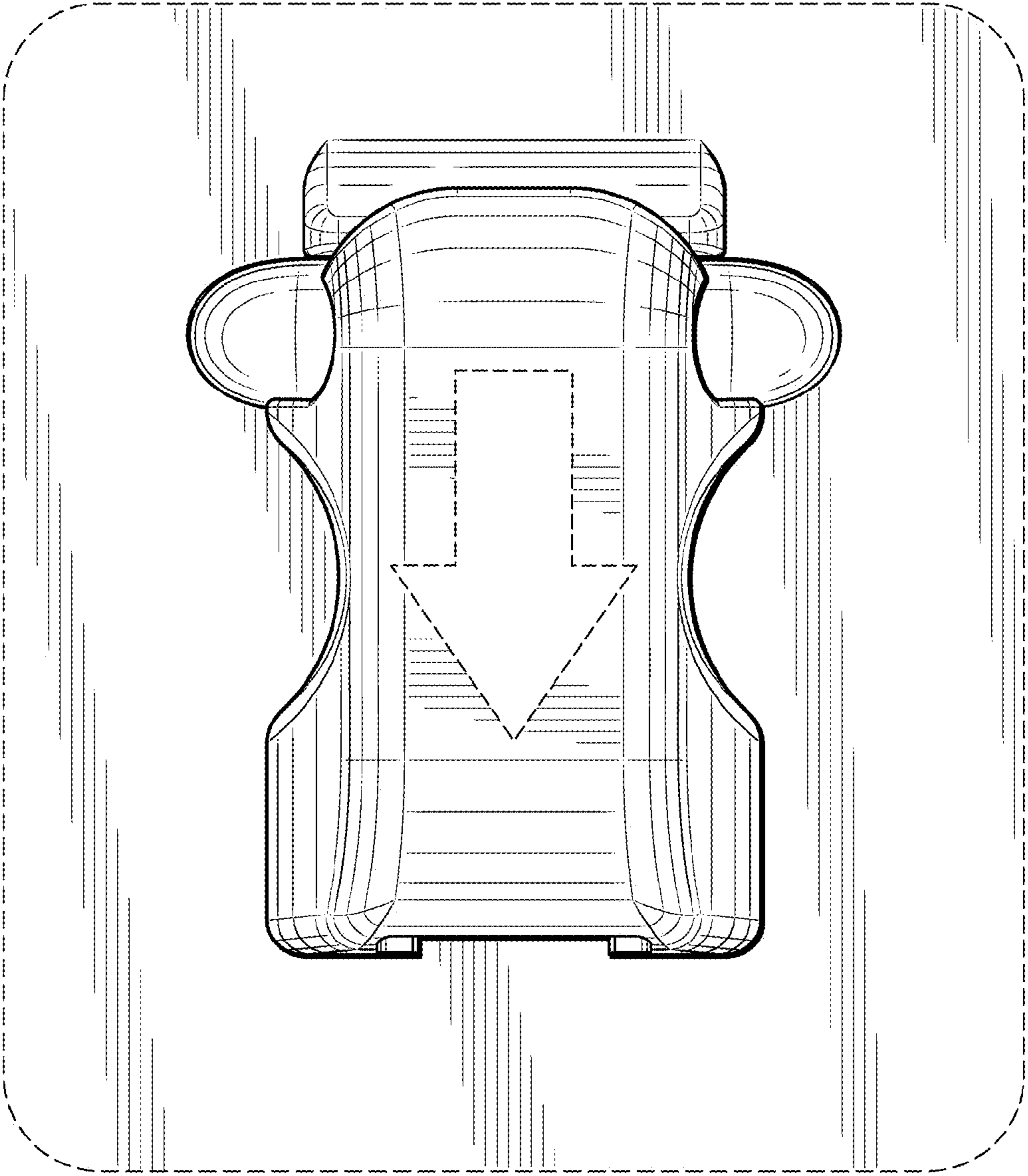


FIG. 3

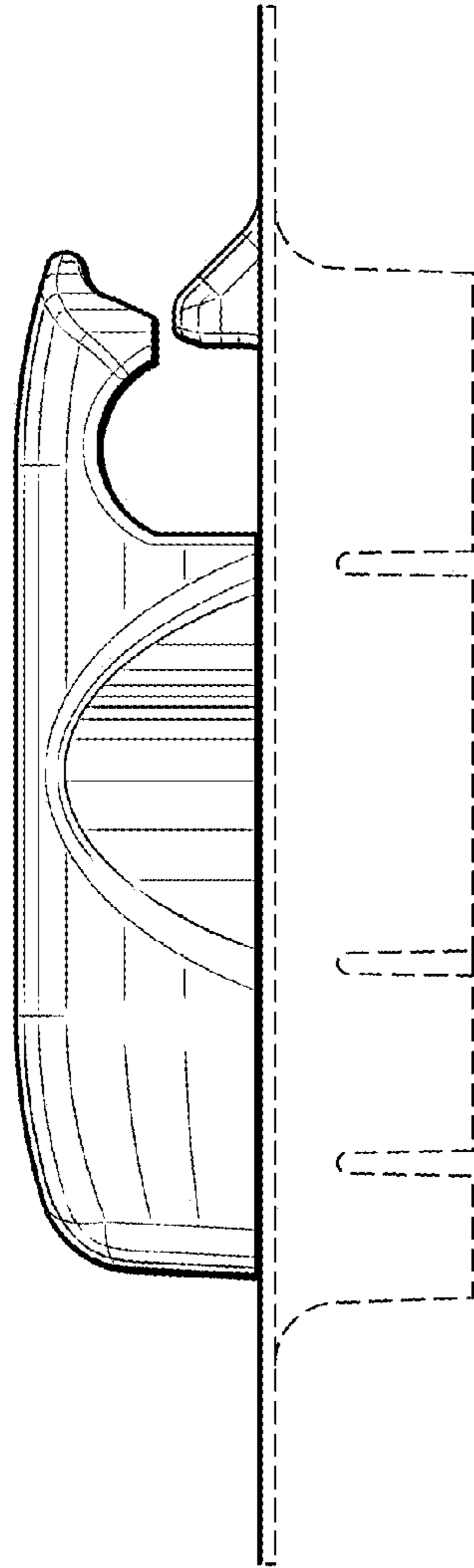


FIG. 4

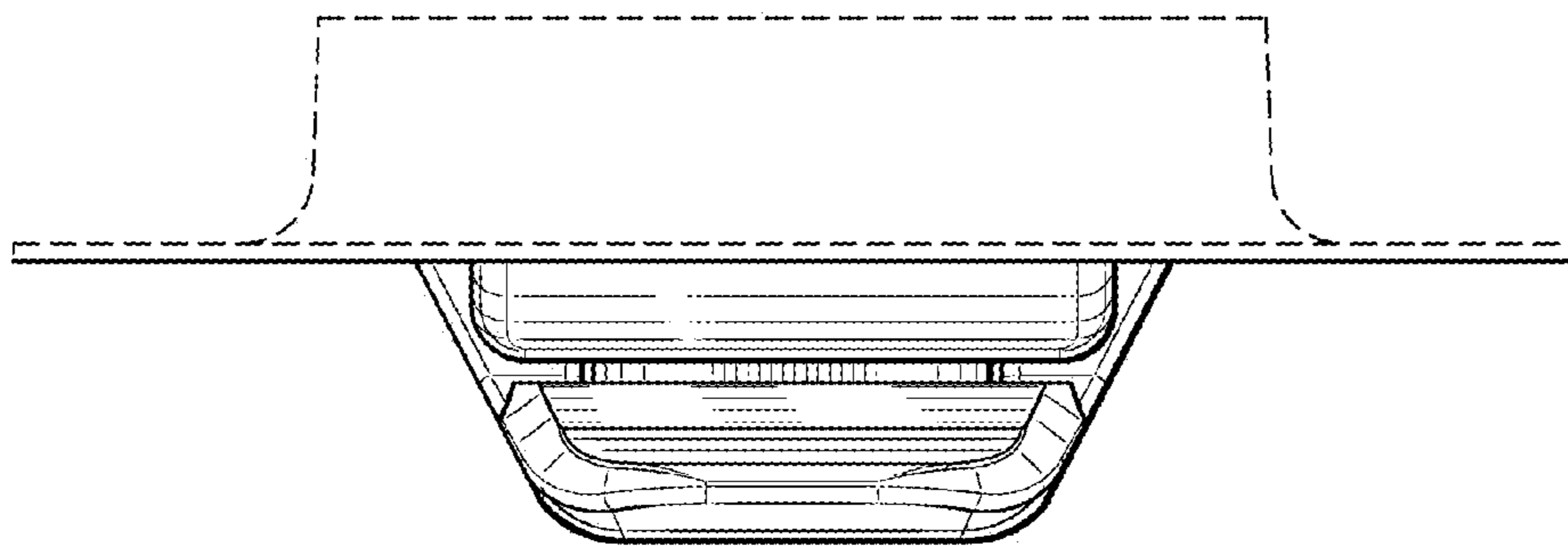


FIG. 5

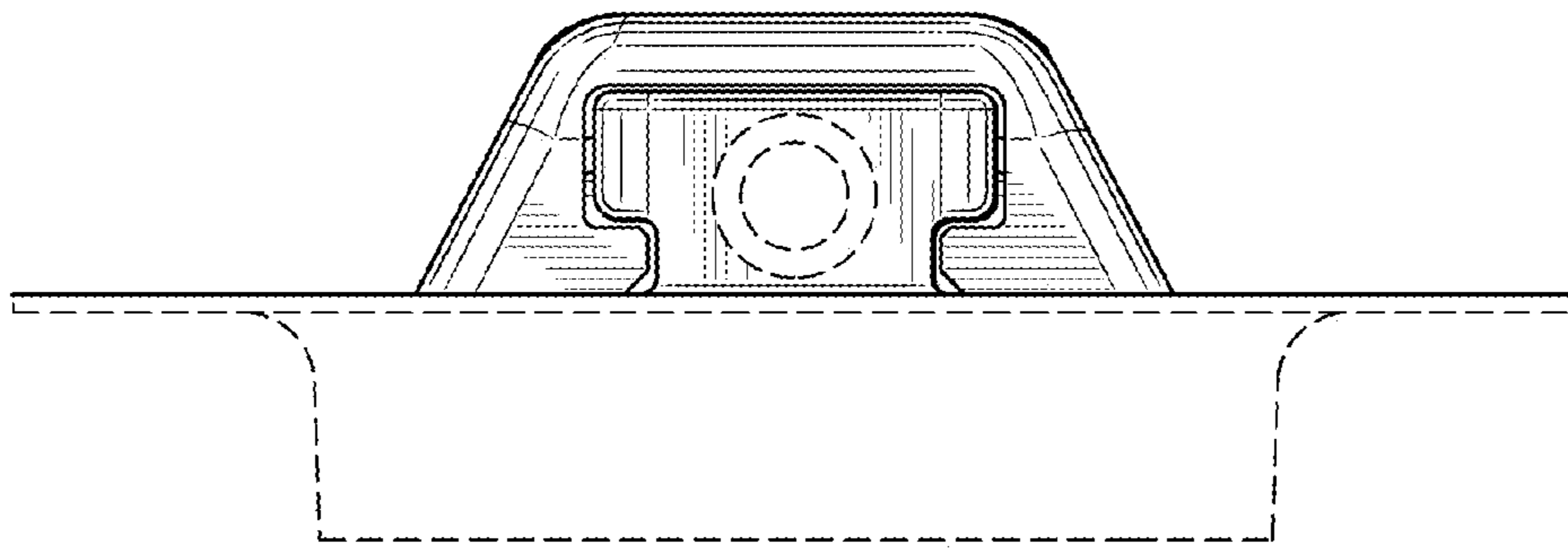


FIG. 6

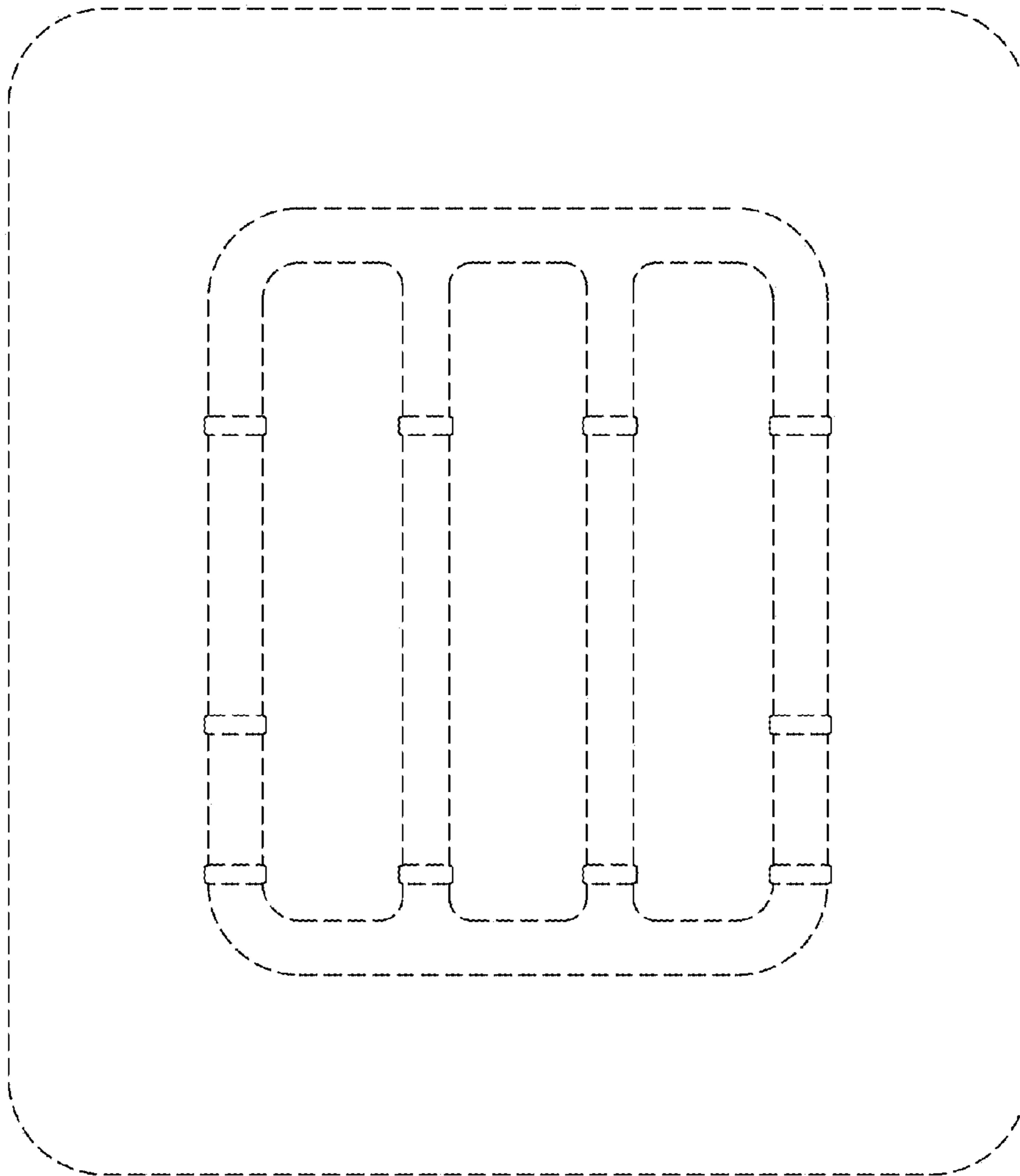


FIG. 7

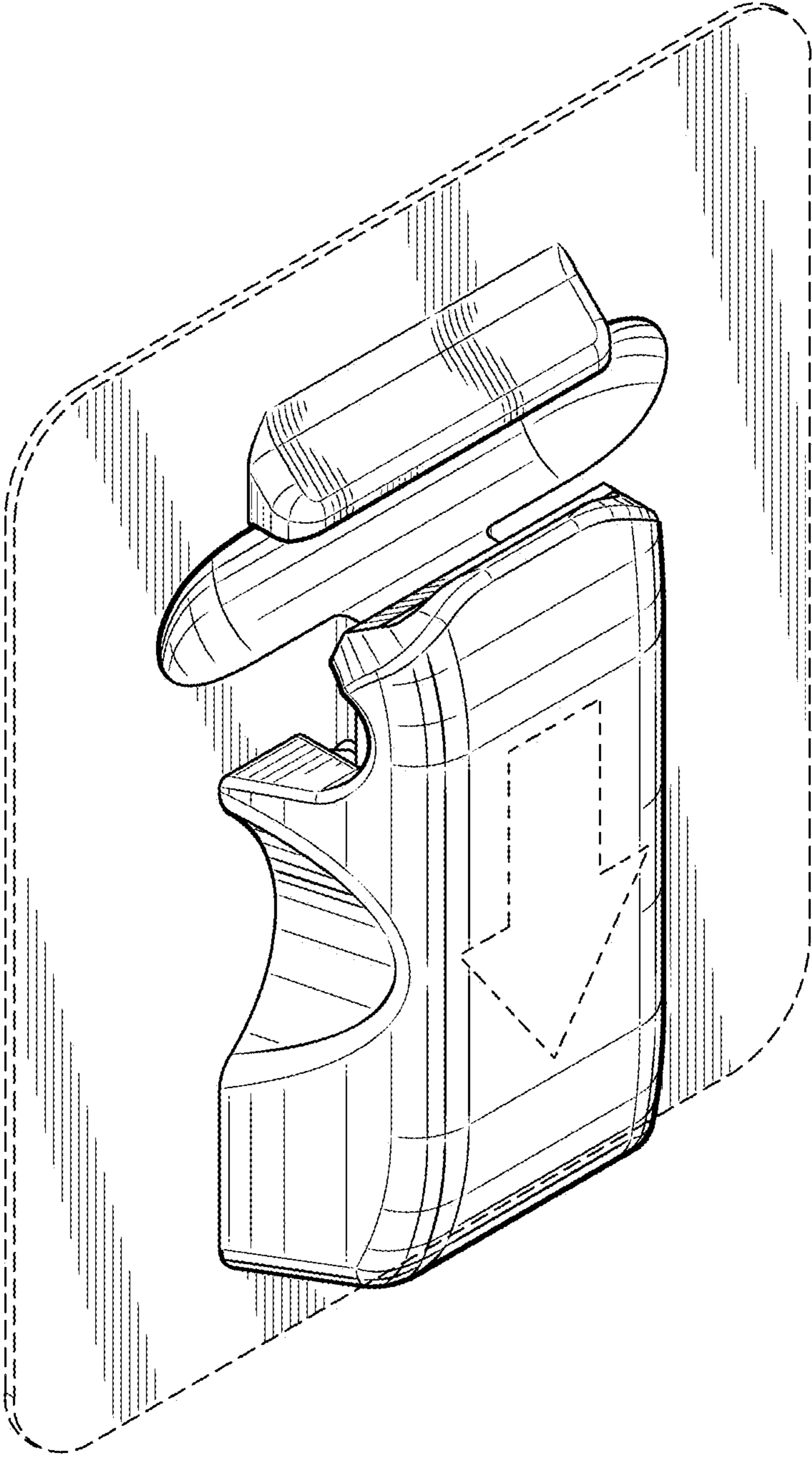


FIG. 8

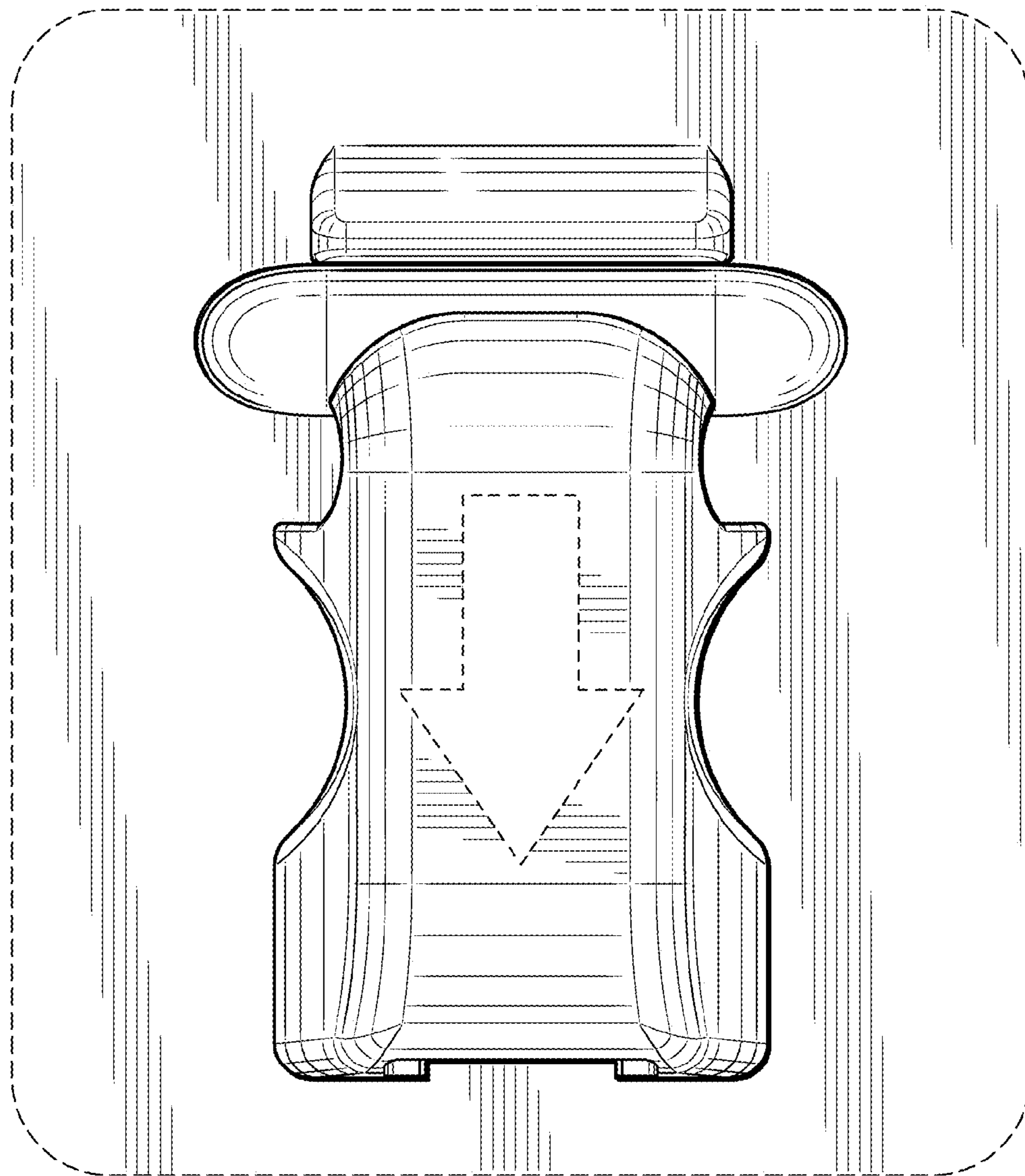


FIG. 9

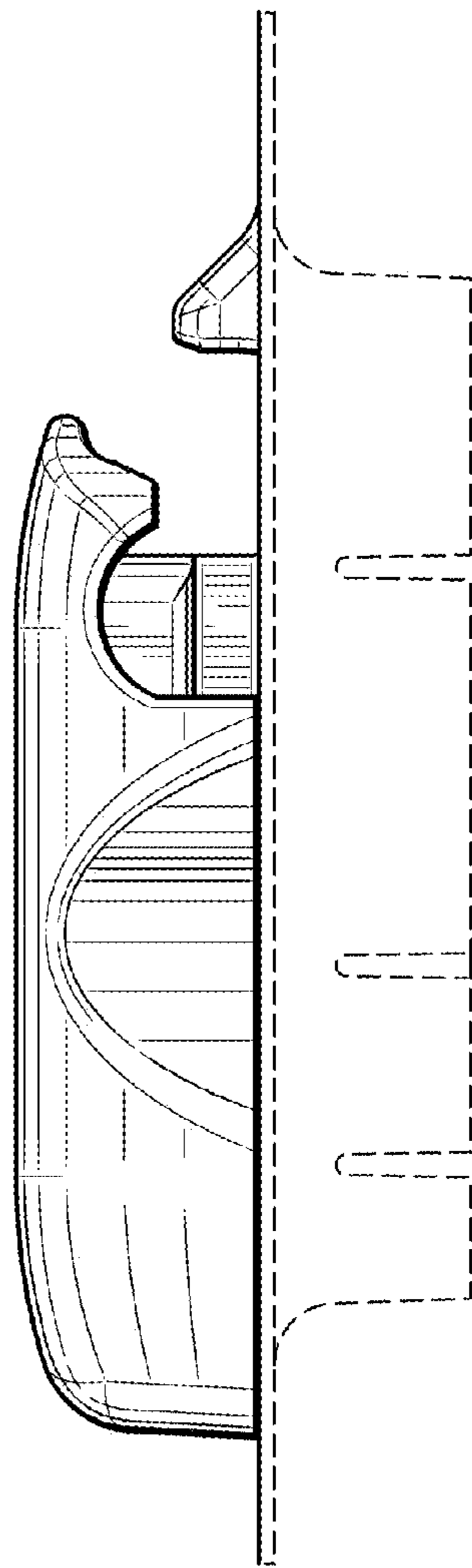


FIG. 10

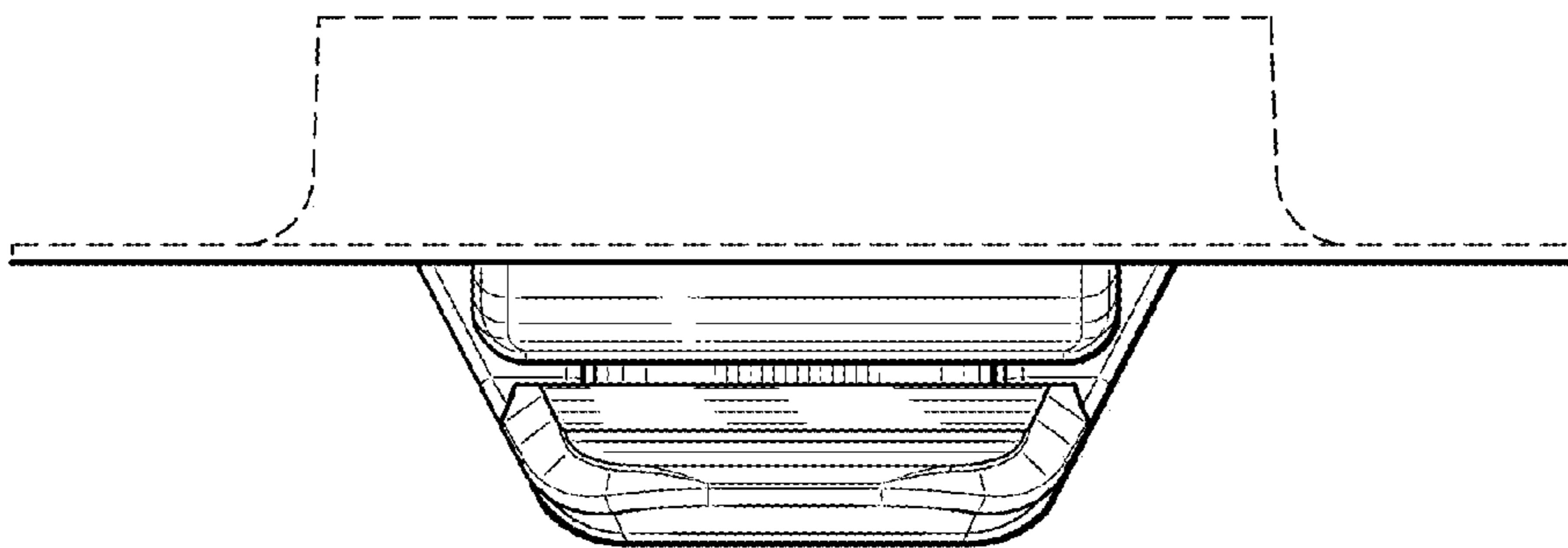


FIG. 11

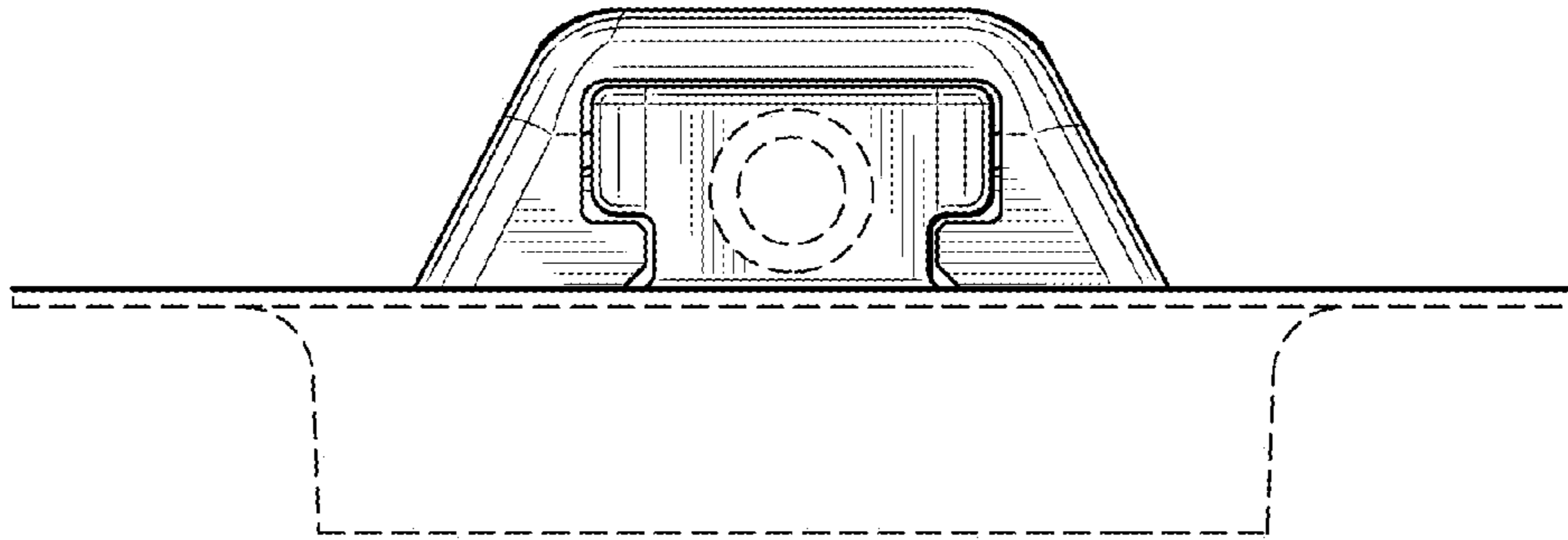


FIG. 12

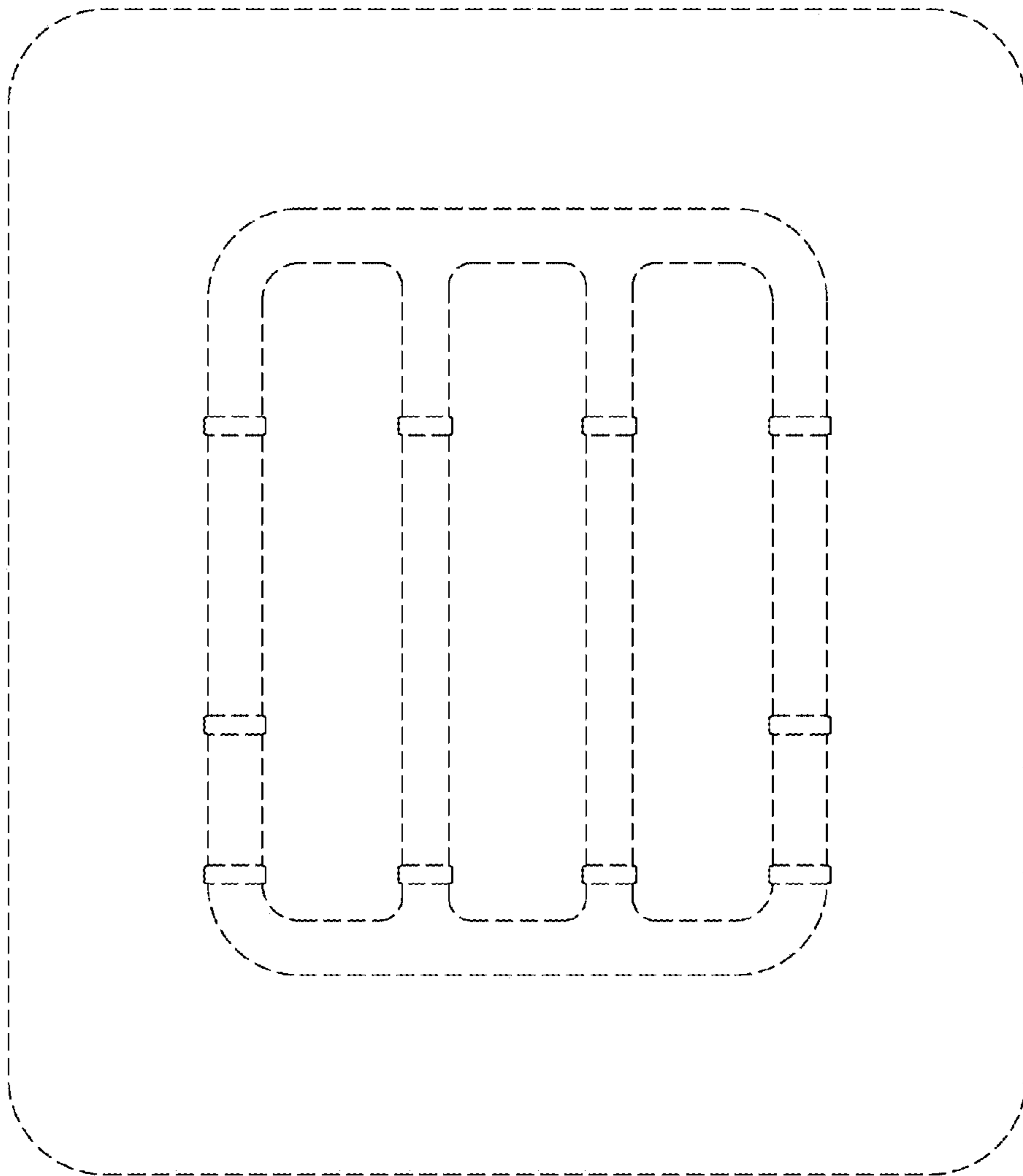


FIG. 13