



US00D748533S

(12) **United States Design Patent**
Collins et al.

(10) **Patent No.:** **US D748,533 S**
(45) **Date of Patent:** **** Feb. 2, 2016**

(54) **HUMAN TRANSPORTER**

(71) Applicant: **Segway, Inc.**, Bedford, NH (US)
(72) Inventors: **Brendan Collins**, Manchester, NH (US);
Joseph A. Hoell, Jr., Dunbarton, NH (US); **Michael Casey**, Bedford, NH (US); **Robert M. Bowman**, Bow, NH (US)

(73) Assignee: **SEGWAY, INC.**, Bedford, NH (US)

(**) Term: **14 Years**

(21) Appl. No.: **29/481,973**

(22) Filed: **Feb. 12, 2014**

(51) **LOC (10) Cl.** **12-14**

(52) **U.S. Cl.**

USPC **D12/1; D21/421**

(58) **Field of Classification Search**

USPC D12/1; D21/419, 421, 423, 424, 426, D21/433, 435, 533, 538, 760, 765, 771; 280/87.021, 87.041, 200, 210, 214, 280/239, 263, 282, 288.1-288.4; 180/180, 180/181, 21, 8.2, 5.26, 6.5, 7.1, 65.8, 907
See application file for complete search history.

(56) **References Cited**

U.S. PATENT DOCUMENTS

6,561,294 B1	5/2003	Kamen et al.	
D489,027 S	4/2004	Waters	
D489,029 S	4/2004	Waters	
D489,300 S	5/2004	Chang et al.	
D493,127 S	7/2004	Waters et al.	
D493,128 S	7/2004	Waters et al.	
D493,747 S	8/2004	Waters et al.	
6,907,949 B1	6/2005	Wang	
D507,206 S *	7/2005	Wang	D12/1
D528,468 S	9/2006	Arling et al.	
D551,592 S	9/2007	Chang et al.	
D551,722 S	9/2007	Chang et al.	
8,201,653 B2 *	6/2012	Strassman	180/218
8,528,921 B2 *	9/2013	Broussard	280/87.05
2005/0134014 A1	6/2005	Xie	

* cited by examiner

Primary Examiner — T. Chase Nelson

Assistant Examiner — Ania Aman

(74) *Attorney, Agent, or Firm* — Burns & Levinson LLP; Joseph M. Maraia

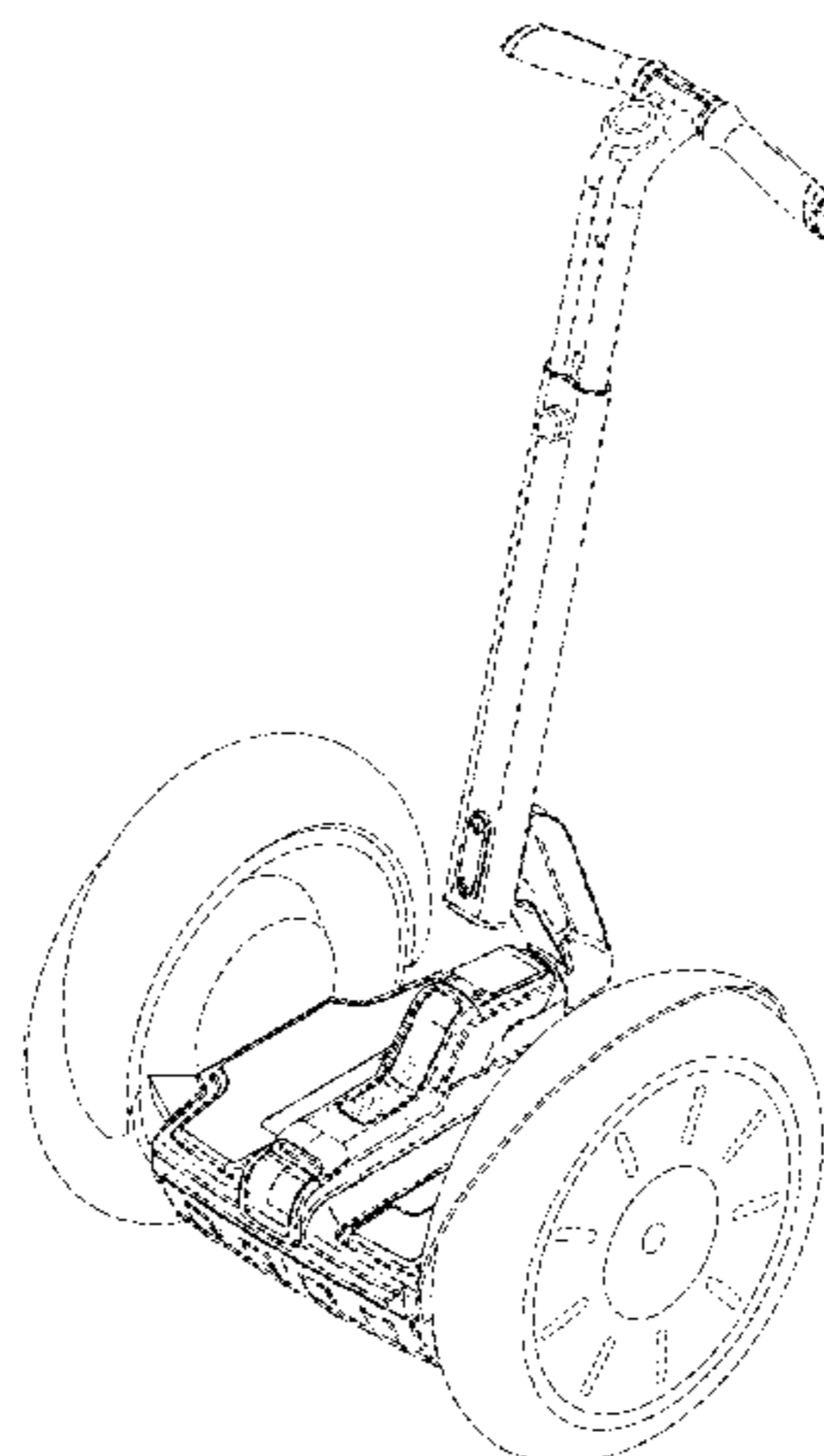
(57) **CLAIM**

The ornamental design for a human transporter, as shown and described.

DESCRIPTION

FIG. 1 is a rear right perspective view of a human transporter, showing our new design;
FIG. 2 is a front left perspective view of the human transporter;
FIG. 3 is a left view of the human transporter;
FIG. 4 is a rear view of the human transporter;
FIG. 5 is a front view of the human transporter;
FIG. 6 is a right view of the human transporter;
FIG. 7 is a top view of the human transporter;
FIG. 8 is a bottom view of the human transporter;
FIG. 9 is a rear left perspective view of the human transporter as partially disassembled;
FIG. 10 is a rear right perspective view of an alternative human transporter, also showing our new design;
FIG. 11 is a front left perspective view of the alternative human transporter;
FIG. 12 is a left view of the alternative human transporter;
FIG. 13 is a rear view of the alternative human transporter;
FIG. 14 is a front view of the alternative human transporter;
FIG. 15 is a right view of the alternative human transporter;
FIG. 16 is a top view of the alternative human transporter; and,
FIG. 17 is a bottom view of the alternative human transporter. The broken lines shown in the drawings are for the purpose illustrating portions of the article and form no part of the claimed design.

1 Claim, 17 Drawing Sheets



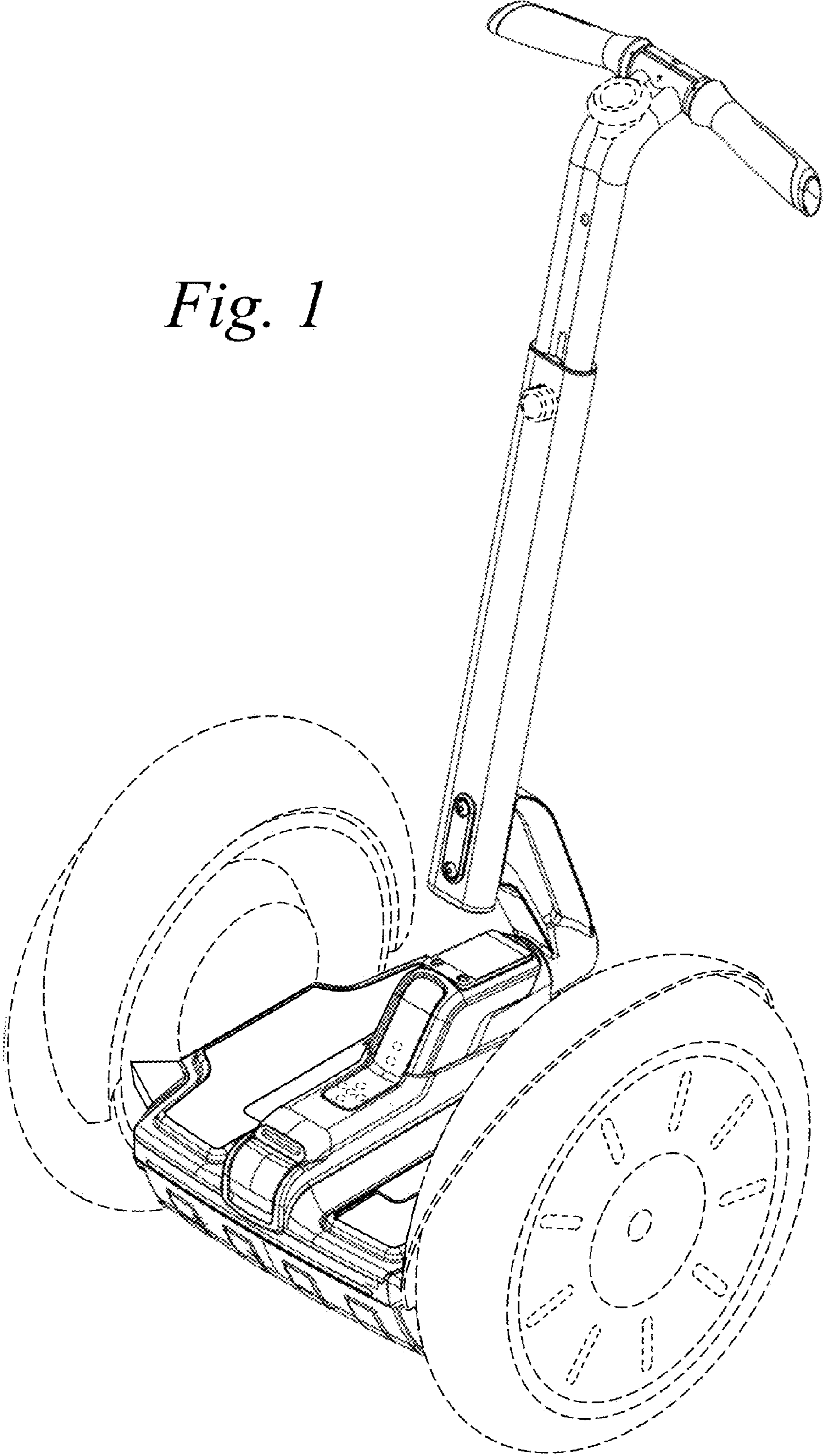


Fig. 1

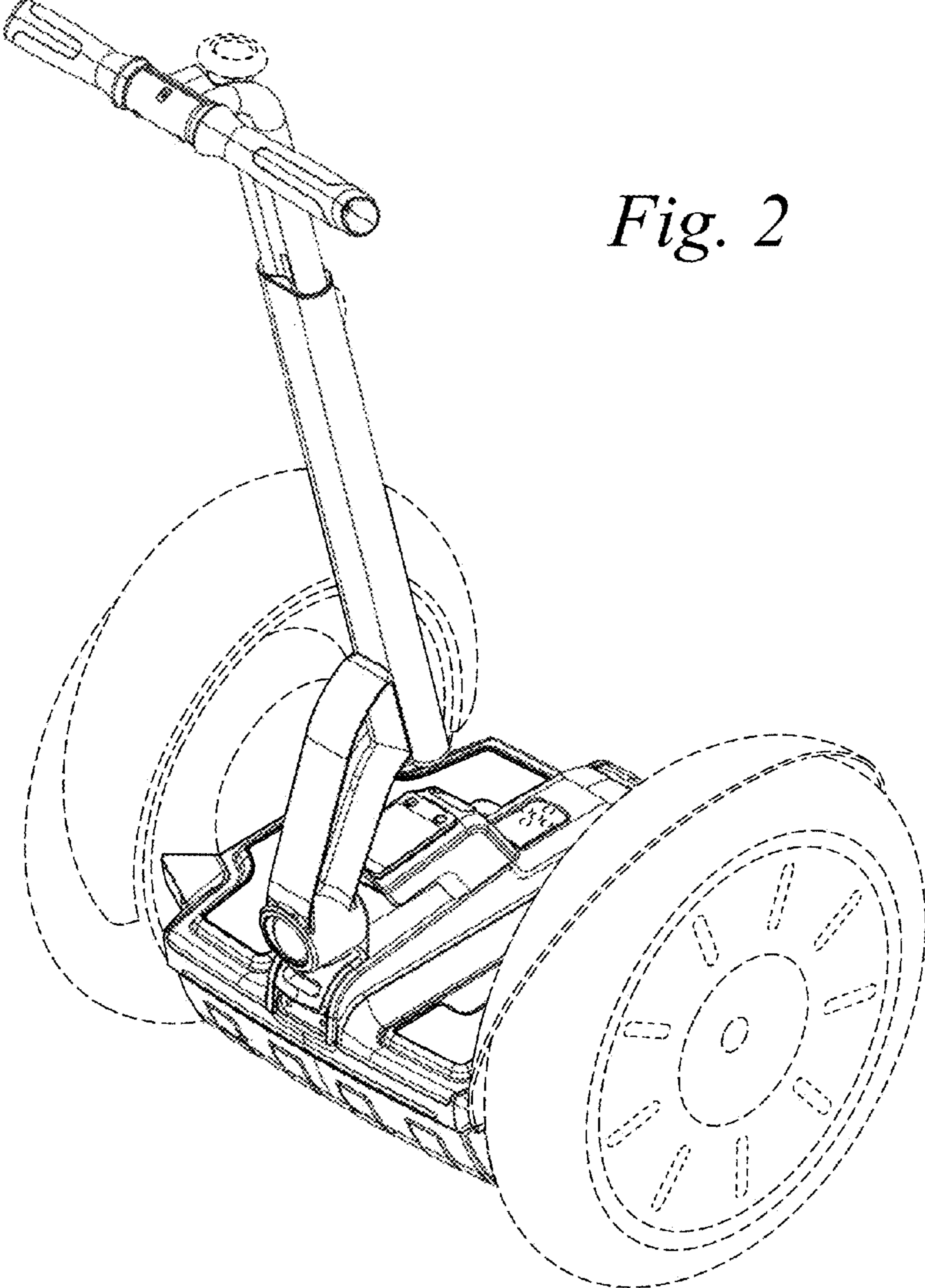


Fig. 2

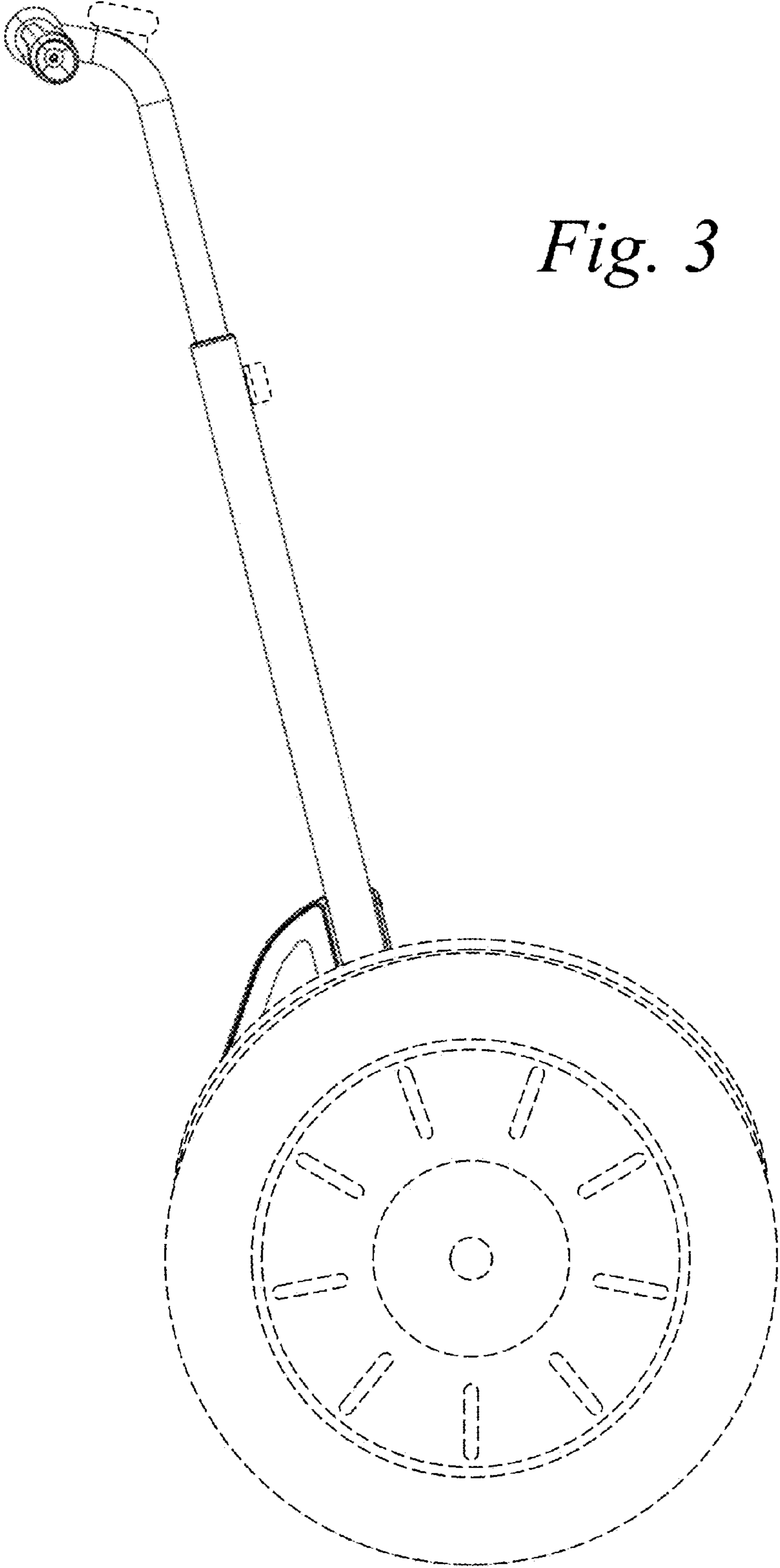


Fig. 3

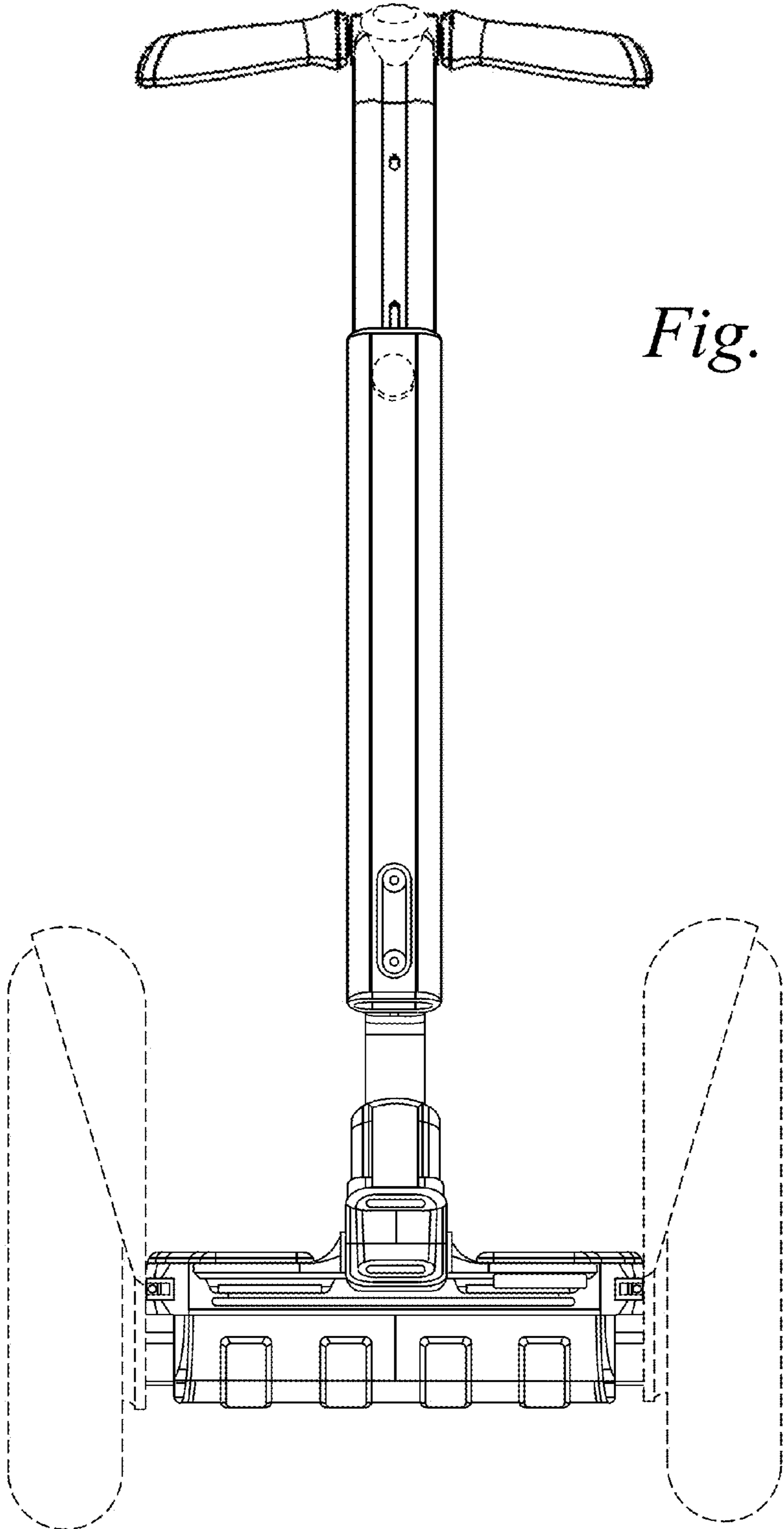


Fig. 4

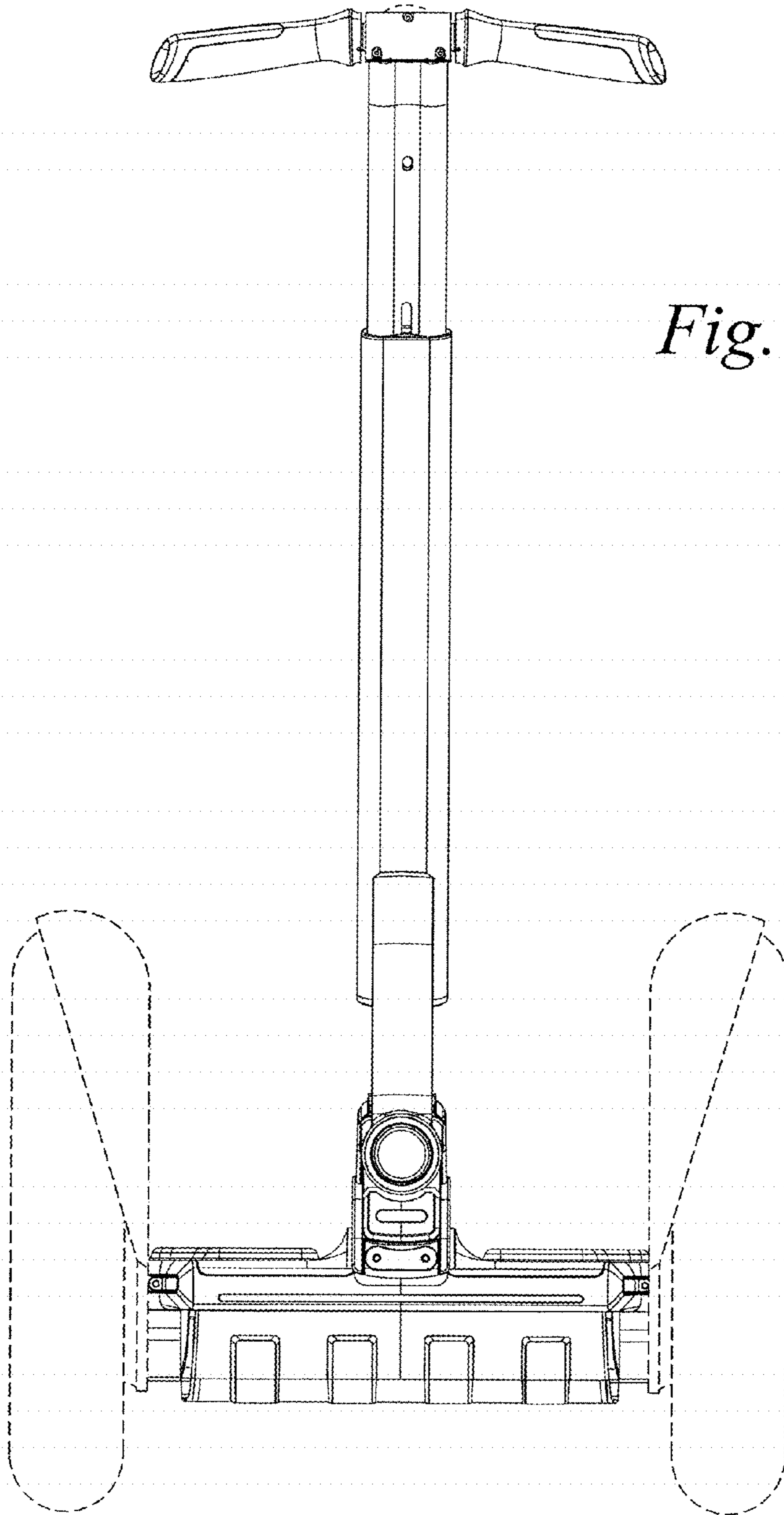
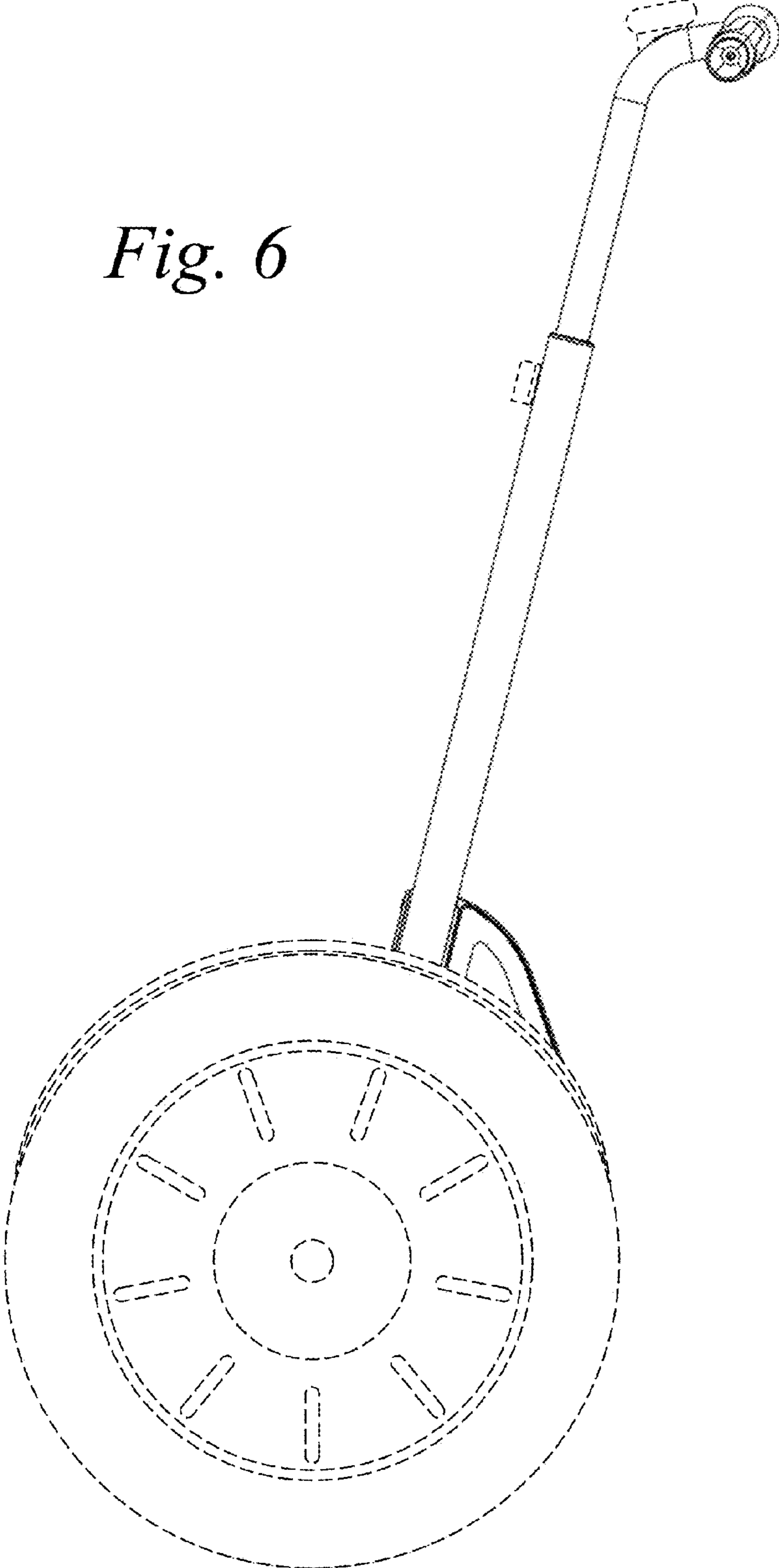


Fig. 5

Fig. 6



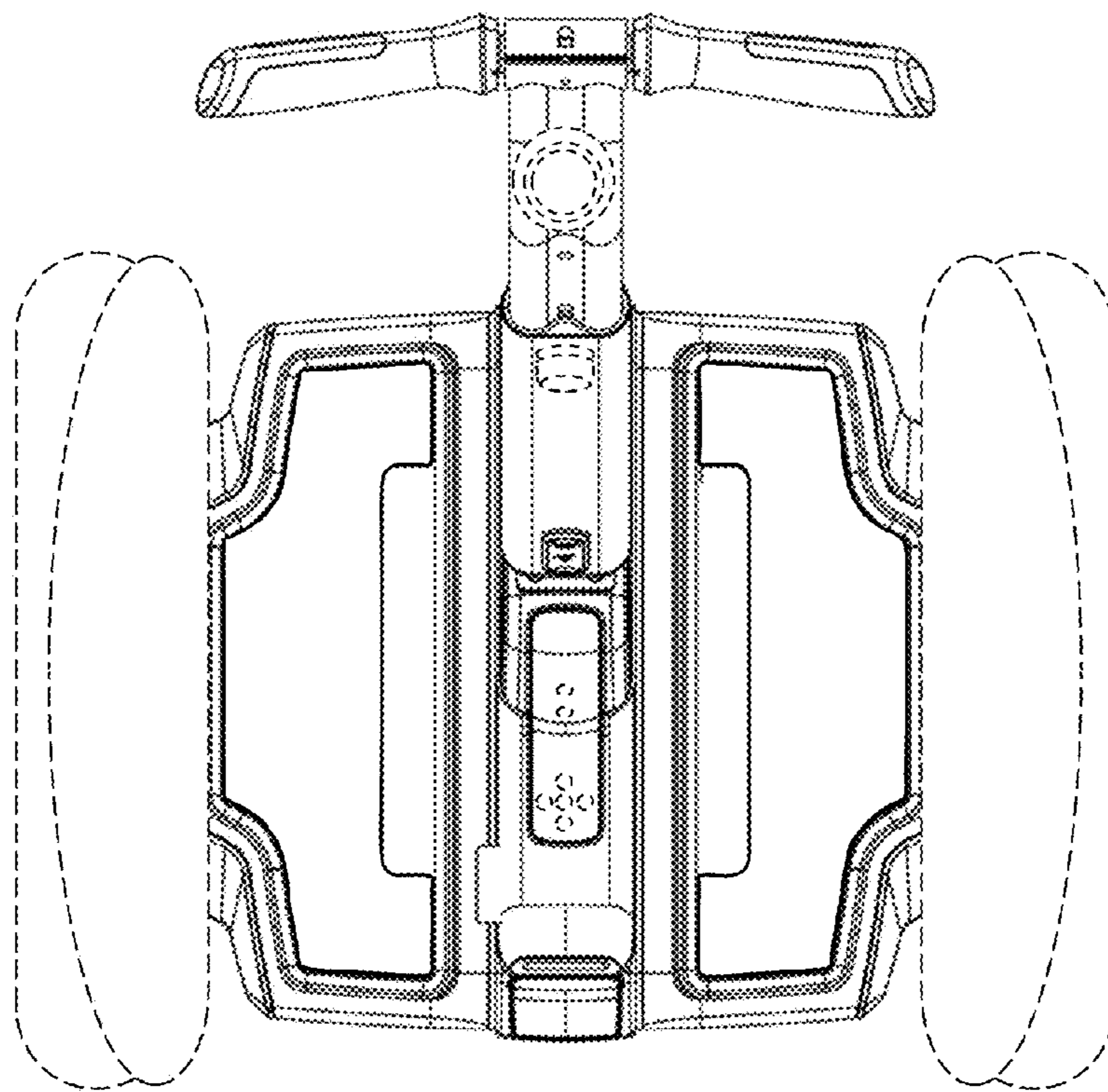


Fig. 7

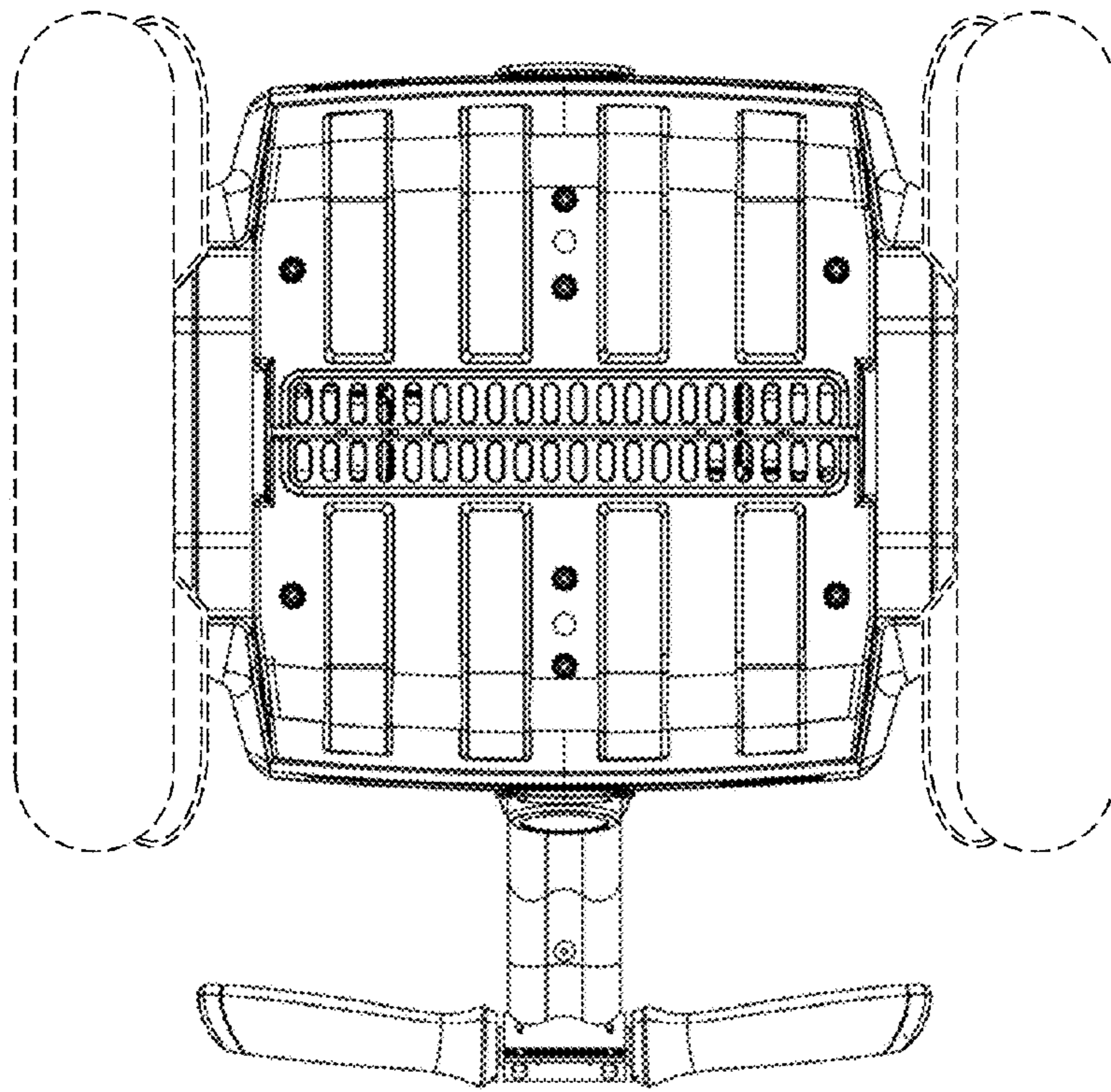


Fig. 8

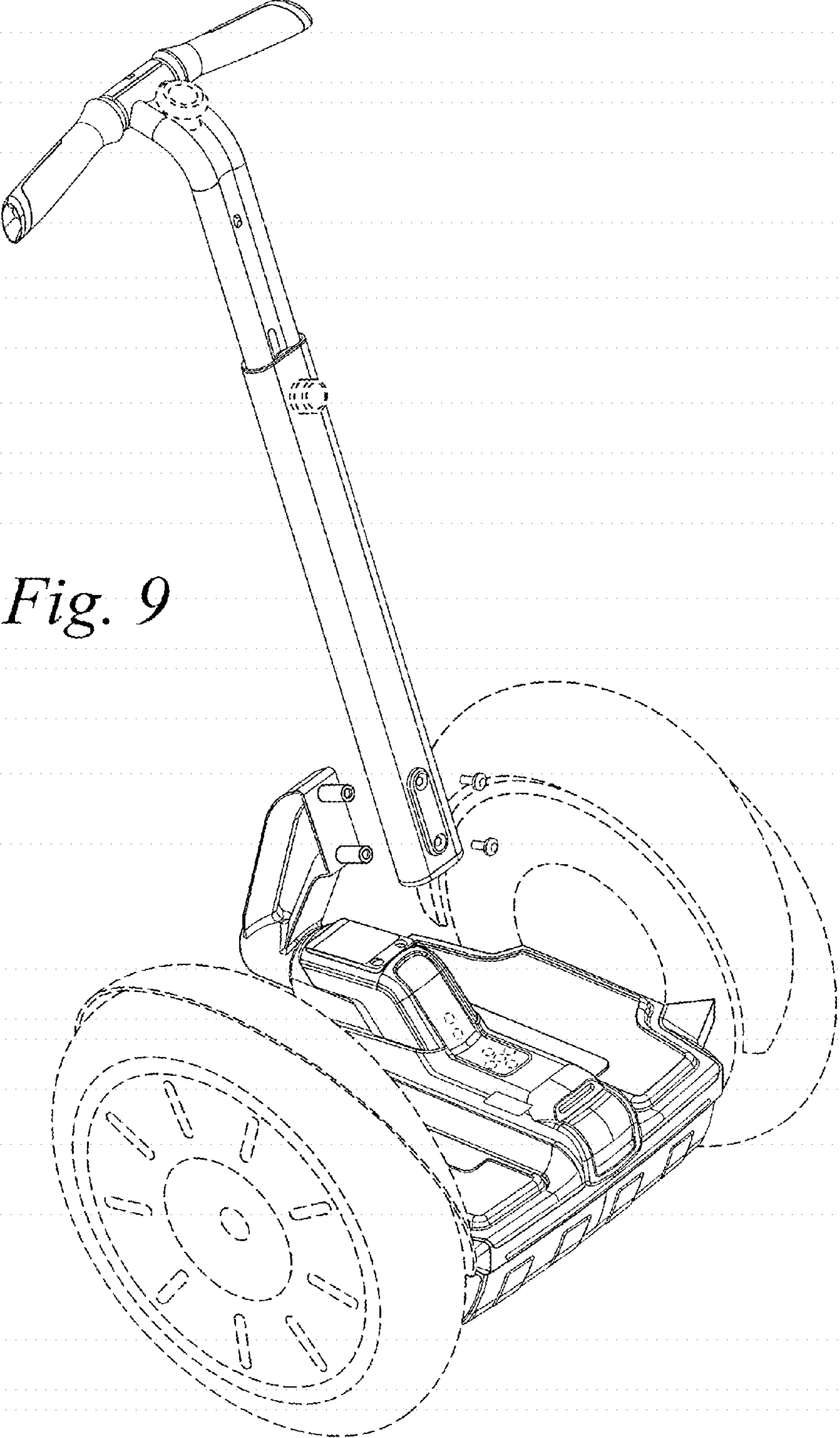
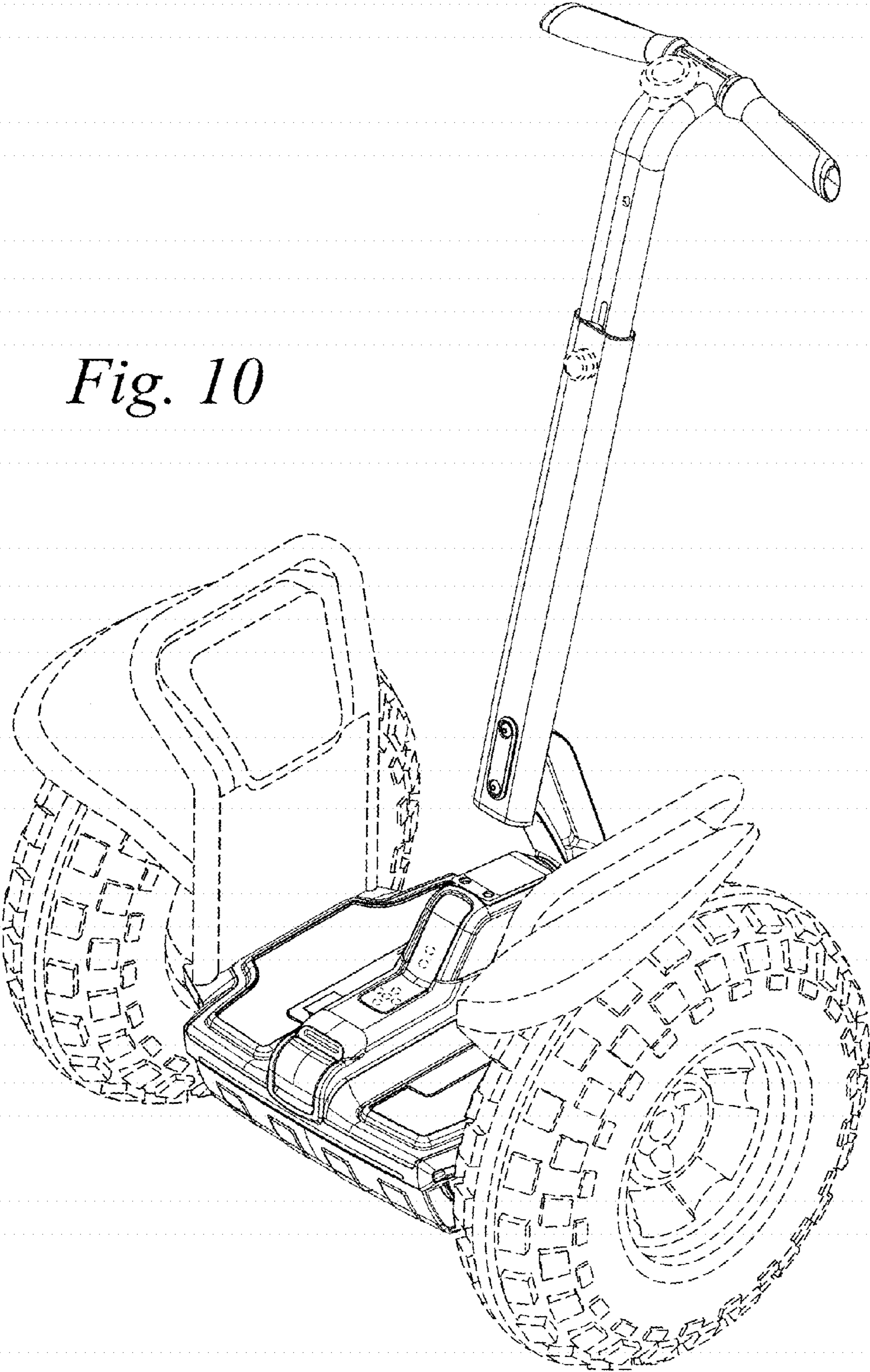


Fig. 9

Fig. 10



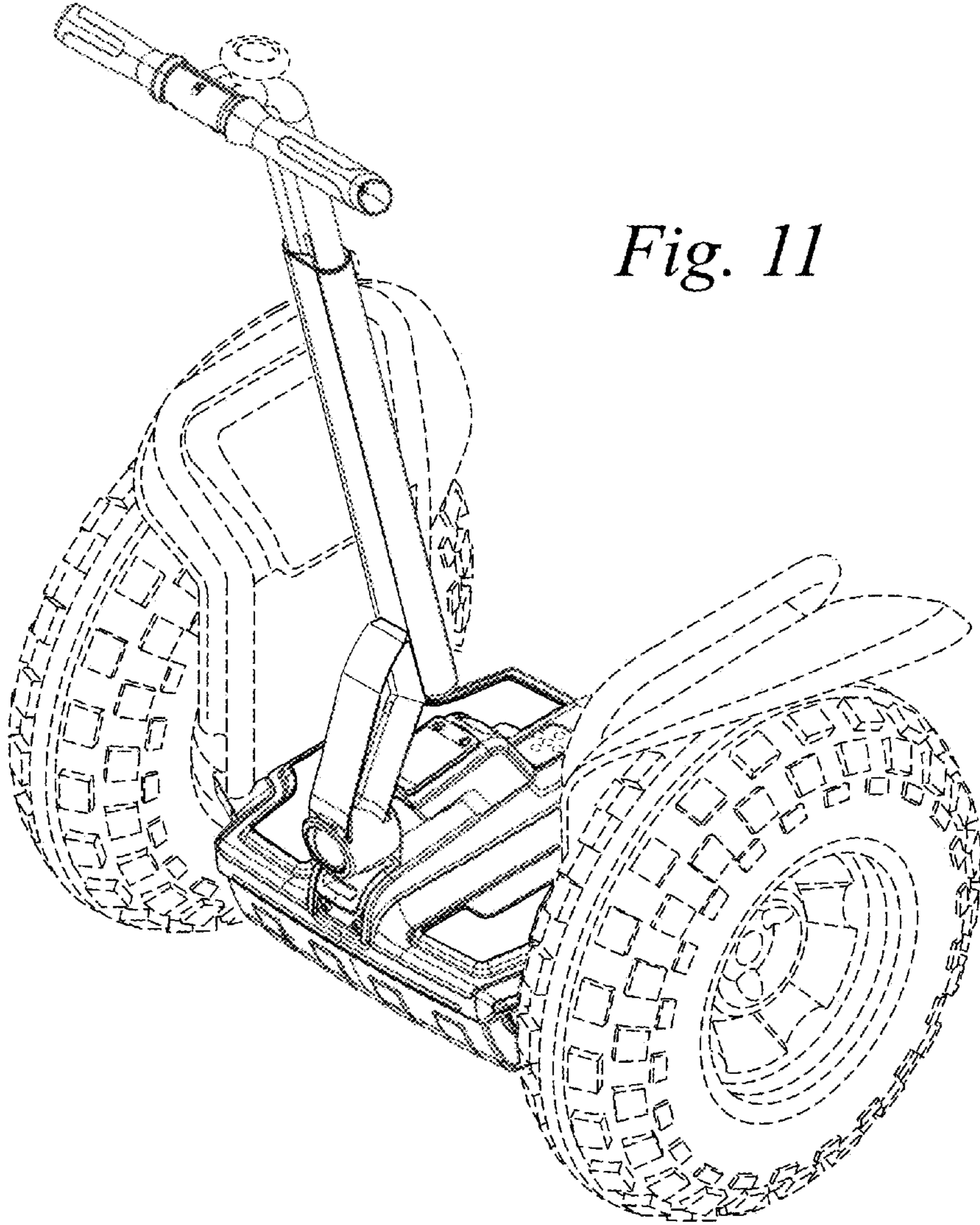


Fig. 11

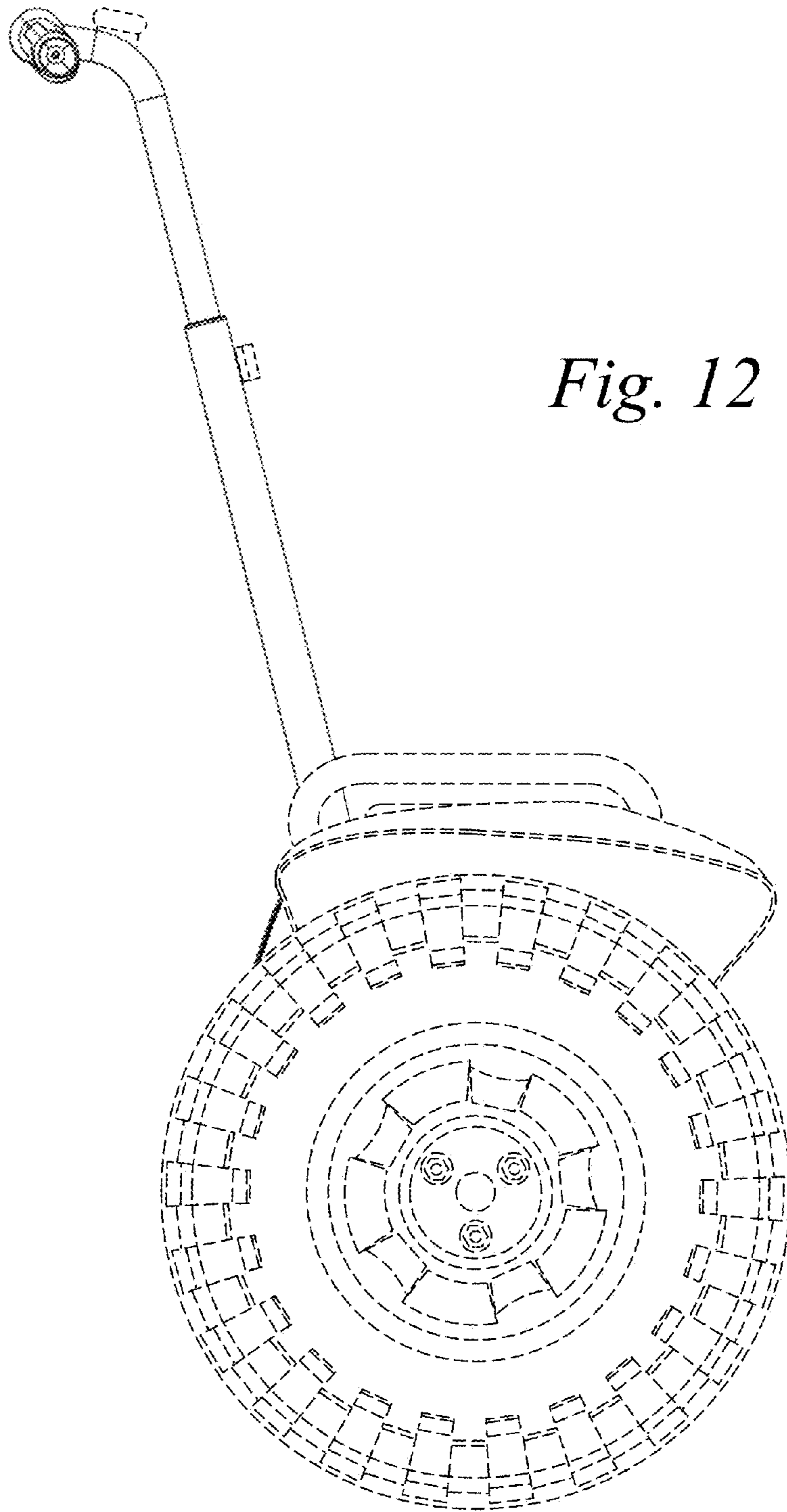


Fig. 12

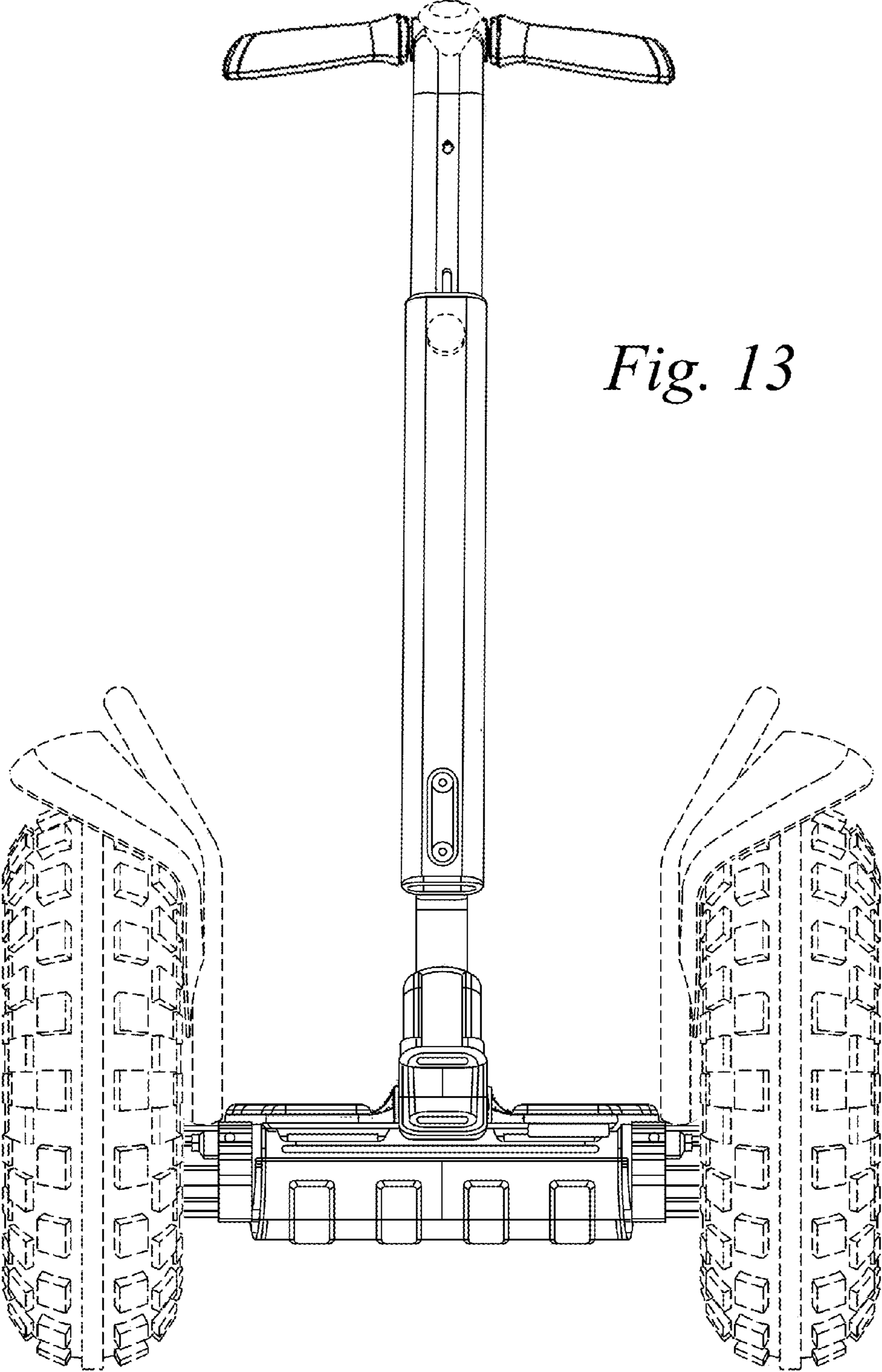


Fig. 13

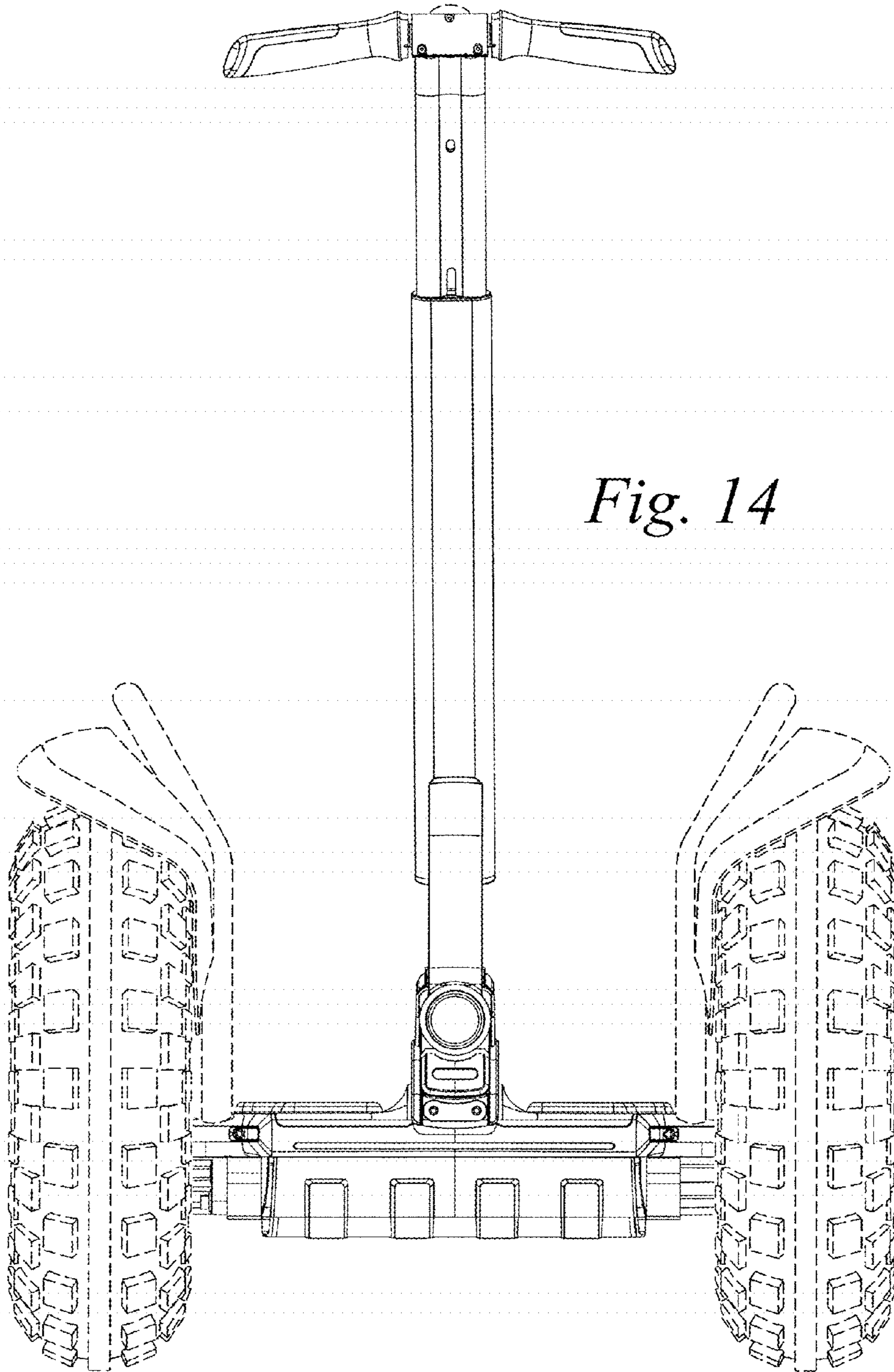
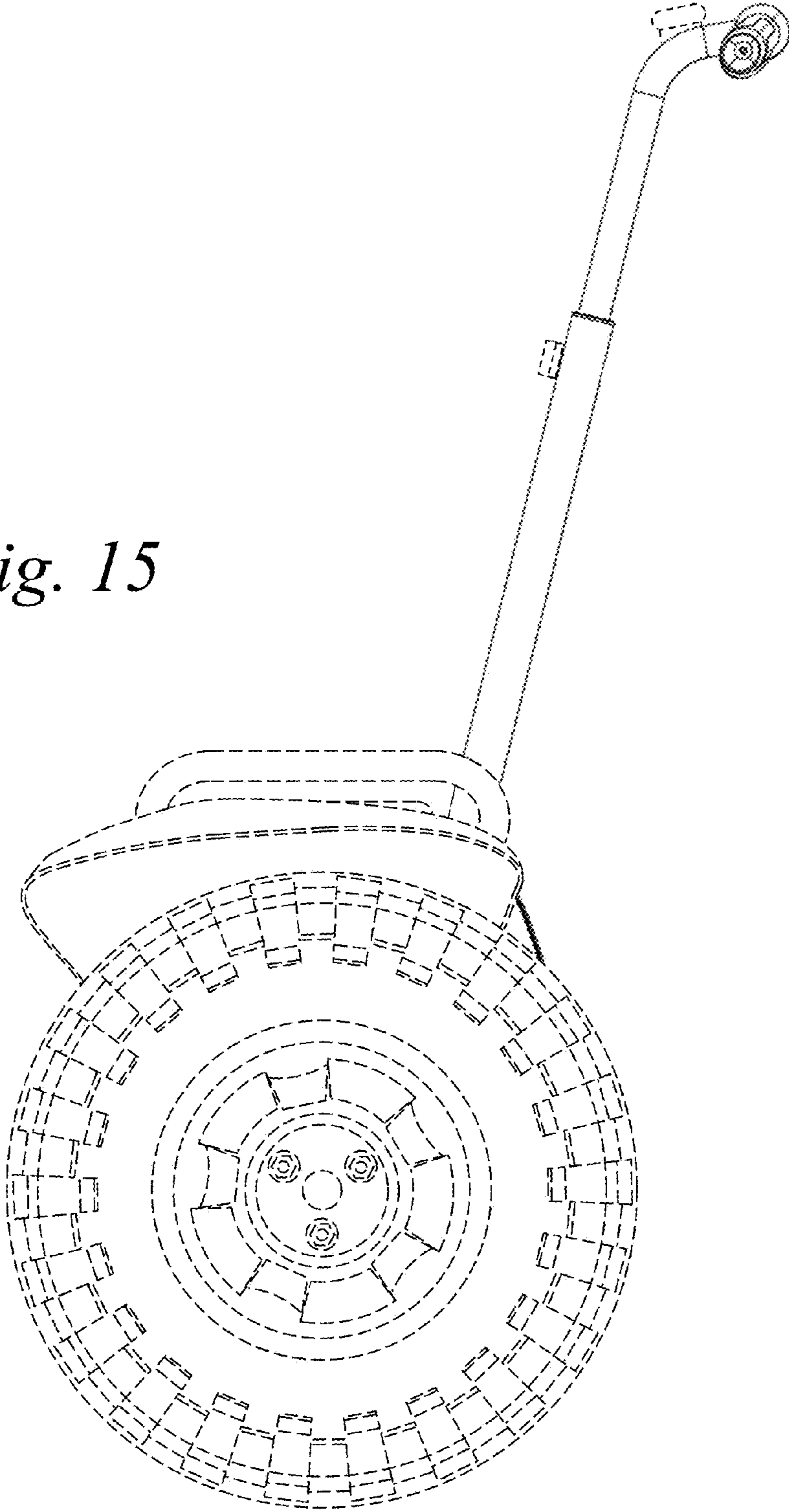


Fig. 14

Fig. 15



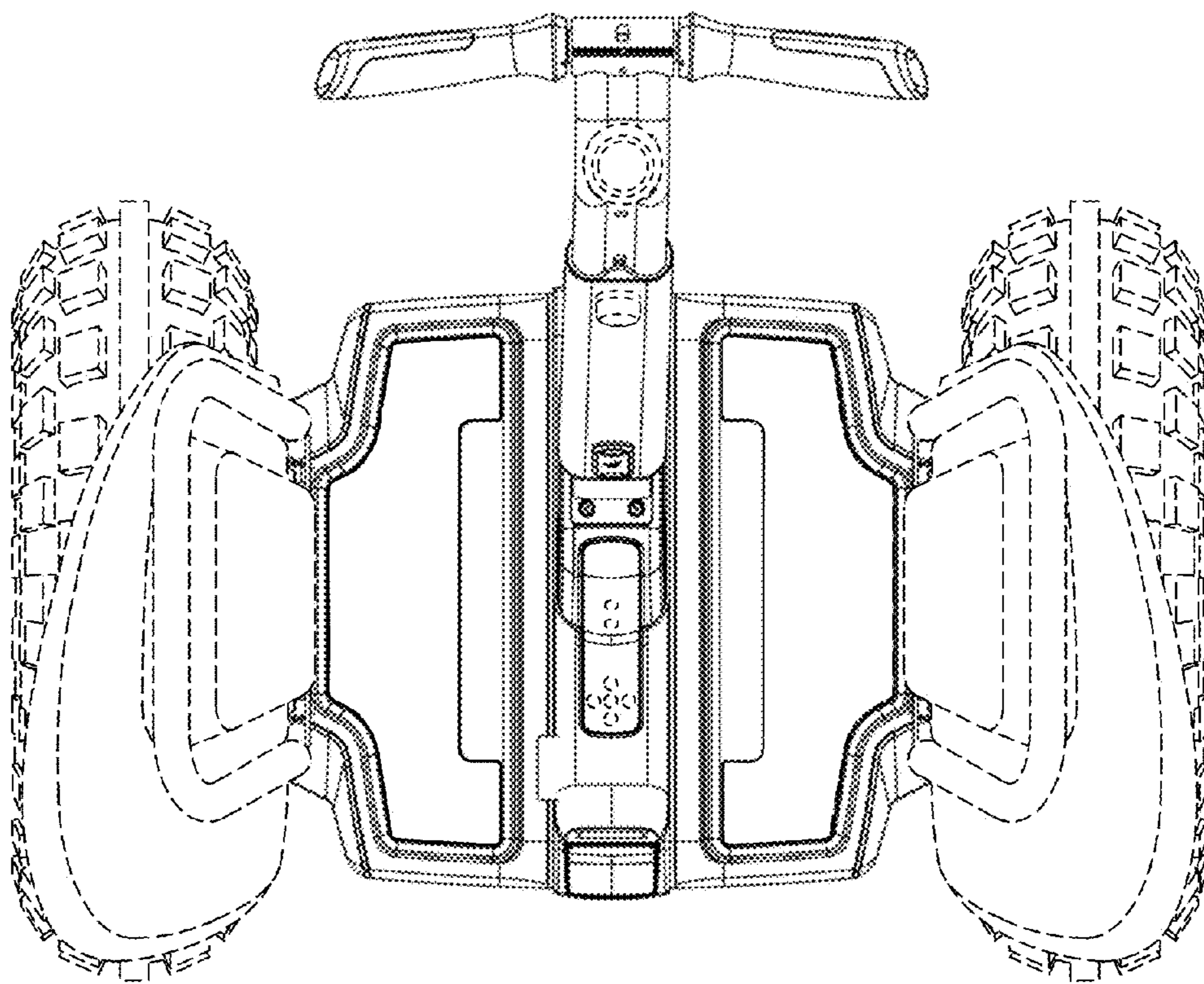


Fig. 16

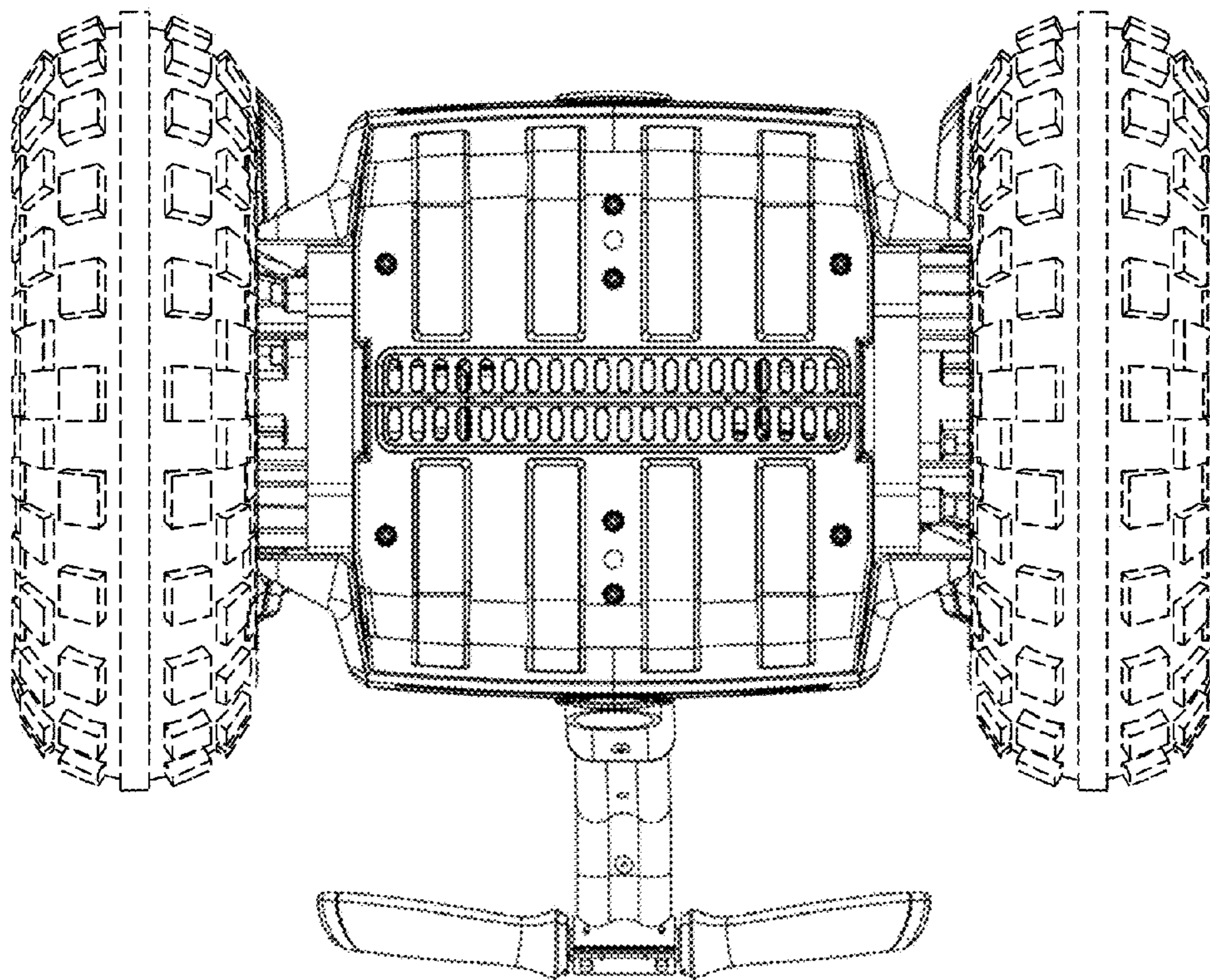


Fig. 17