



US00D748531S

(12) **United States Design Patent**
Paik et al.

(10) **Patent No.:** **US D748,531 S**

(45) **Date of Patent:** **** Feb. 2, 2016**

(54) **ULTRA METAL RING**

(56) **References Cited**

(71) Applicant: **WOJIN PLASTIC CO., LTD,**
Gyeonggi-do (KR)

U.S. PATENT DOCUMENTS

(72) Inventors: **Jisook Paik**, Seoul (KR); **Nan Hee Paik**,
Seoul (KR); **Ji Hye Paik**, Seoul (KR); **Ji**
Won Son, Seoul (KR)

D333,804 S *	3/1993	Franklin	D11/200
D357,435 S *	4/1995	Cook	D11/200
D364,126 S *	11/1995	Ochiai	D11/200
D412,462 S *	8/1999	Fildan	D11/208
D619,928 S *	7/2010	Bodino	D11/231
D625,654 S *	10/2010	Spater	D11/210
D656,430 S *	3/2012	Spater	D11/210
D667,753 S *	9/2012	Nanbu	D11/210
D683,262 S *	5/2013	Fitzpatrick	D11/218
D714,185 S *	9/2014	Kelleghan	D11/218

(73) Assignee: **Woojin Plastic Co., Ltd.**, Gyeonggi-Do
(KR)

(**) Term: **14 Years**

* cited by examiner

(21) Appl. No.: **29/513,570**

Primary Examiner — Ralf Seifert

(22) Filed: **Jan. 2, 2015**

(74) *Attorney, Agent, or Firm* — Jordan and Hamburg LLP

(30) **Foreign Application Priority Data**

(57) **CLAIM**

I claim, the ornamental design for a ultra metal ring, as shown and described.

Jul. 3, 2014 (KR) 30-2014-0032634

(51) **LOC (10) Cl.** **02-07**

(52) **U.S. Cl.**
USPC **D11/218**

(58) **Field of Classification Search**
USPC D11/1-2, 200-201, 206-210, 214-218;
24/163 R, 169-171, 173, 177-179, 191,
24/194-195, 197, 200, 614-616, 625, 198,
24/578.11, 578.1, 163 K, 114
CPC A44B 11/26; A44B 11/25; A44B 11/06
See application file for complete search history.

DESCRIPTION

FIG. 1 is a perspective view of a ultra metal ring, showing my new design;
FIG. 2 is a front elevational view thereof;
FIG. 3 is a rear elevational view thereof;
FIG. 4 is a left side elevational view thereof;
FIG. 5 is a right side elevational view thereof;
FIG. 6 is a top plan view thereof;
FIG. 7 is a bottom plan view thereof; and,
FIG. 8 is a cross-sectional view taken along the lines VIII-VIII of FIG. 2.

1 Claim, 3 Drawing Sheets

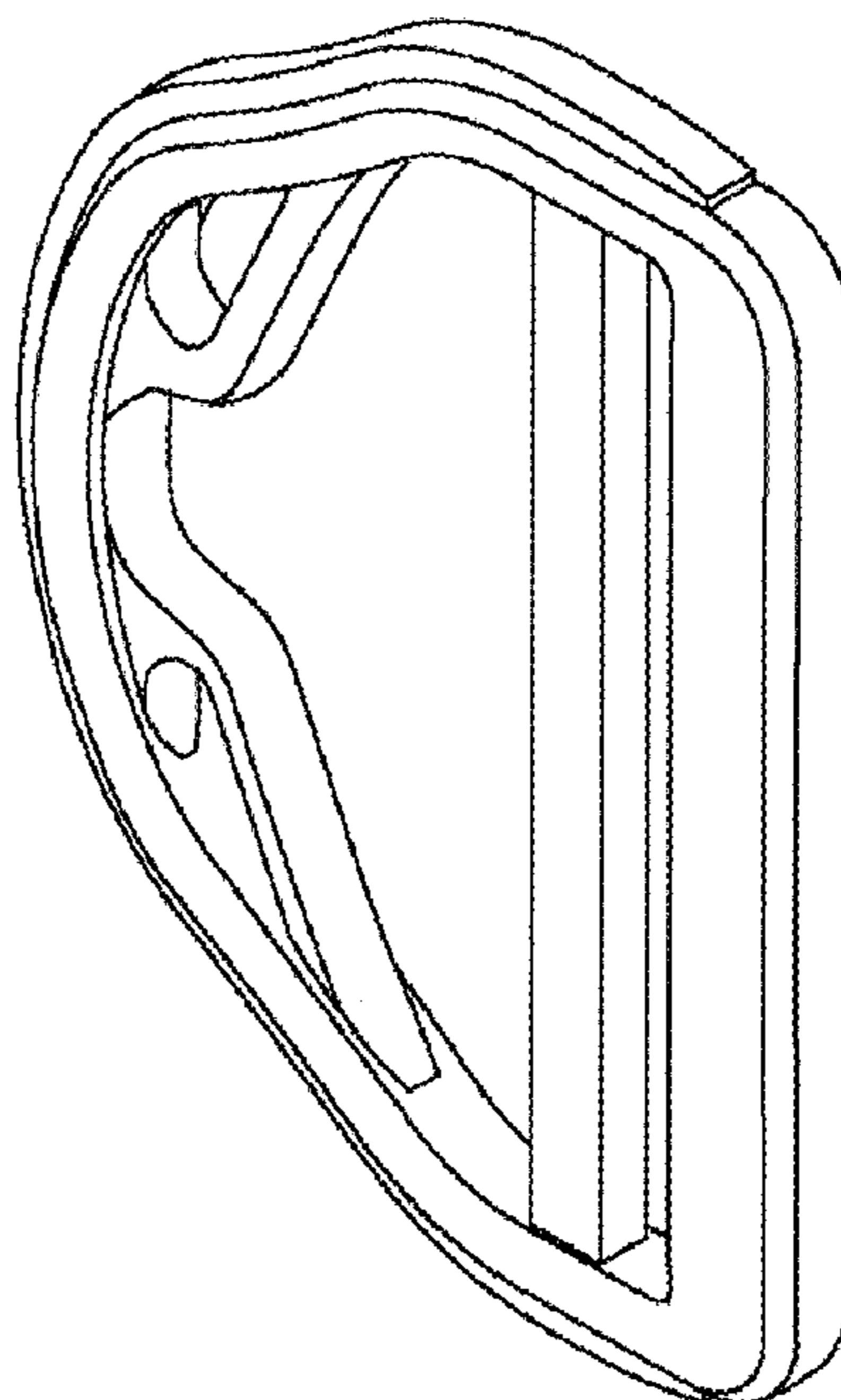


FIG.1

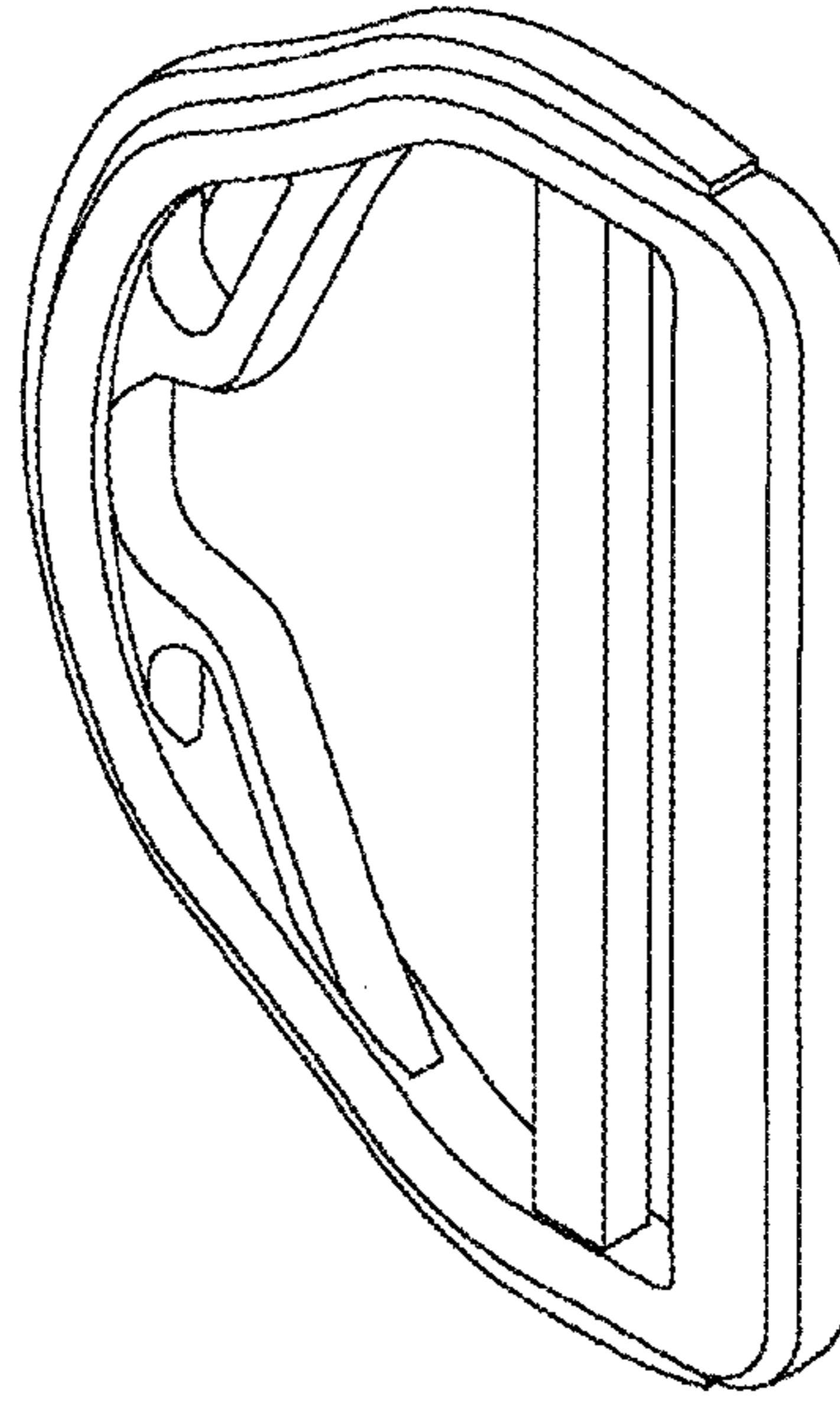


FIG.2

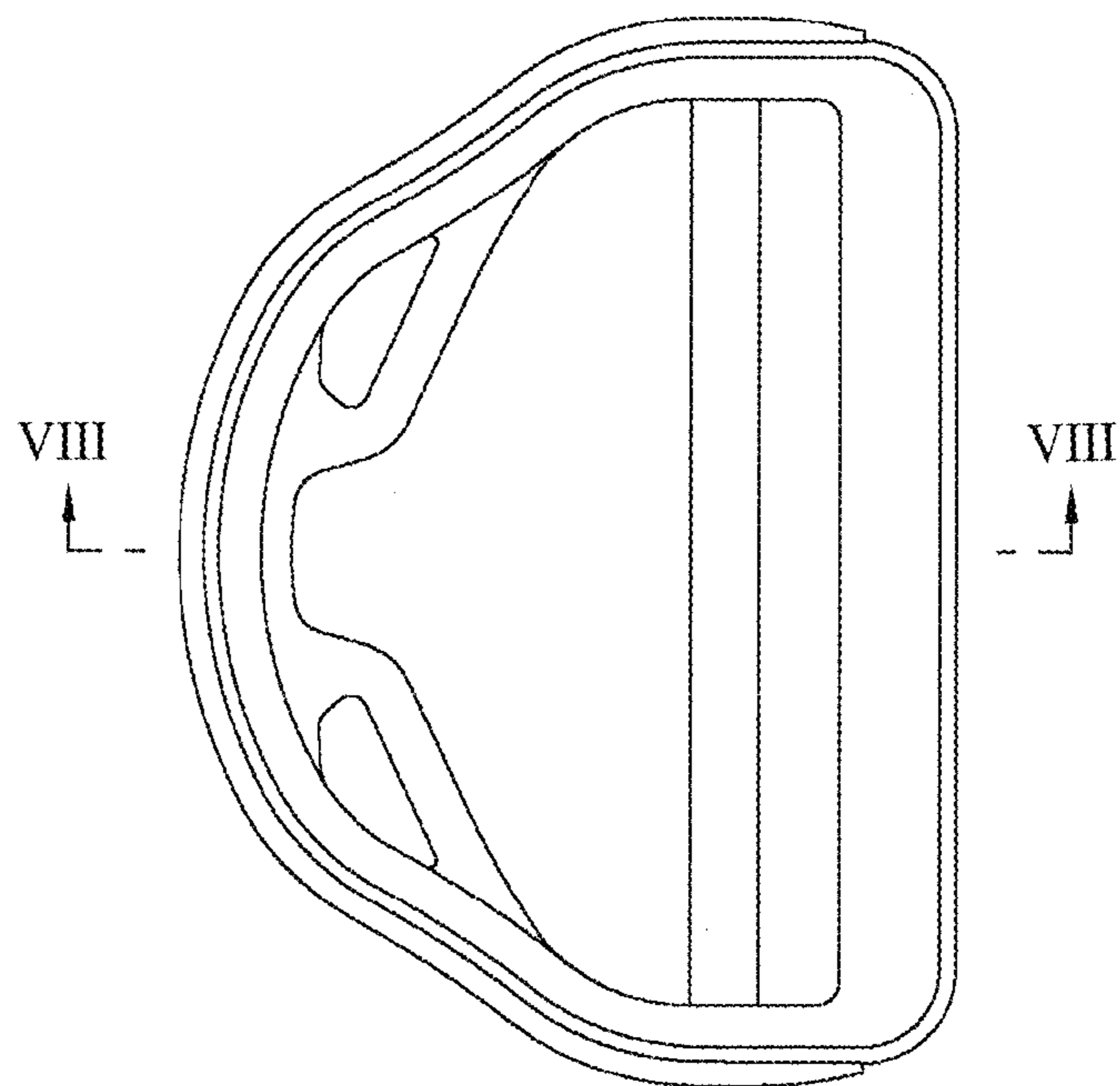


FIG.3

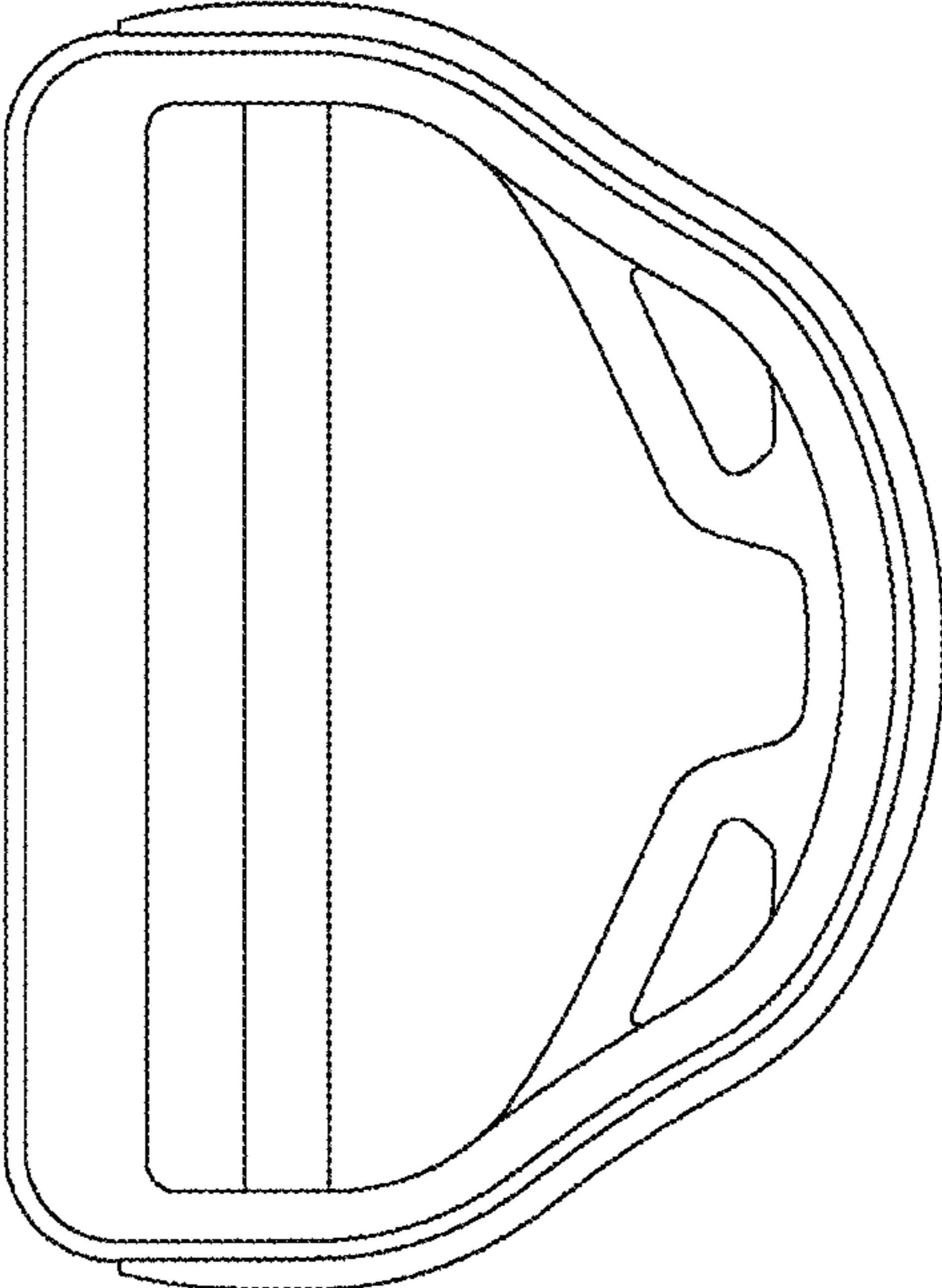


FIG.4

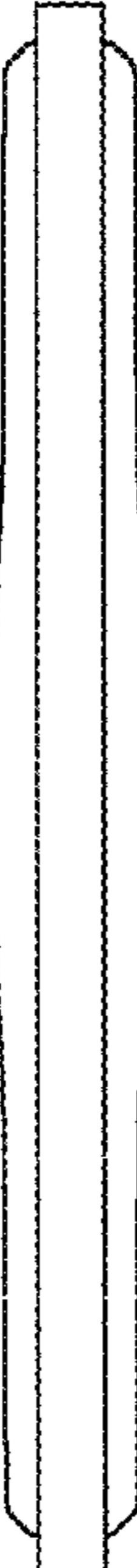


FIG.5

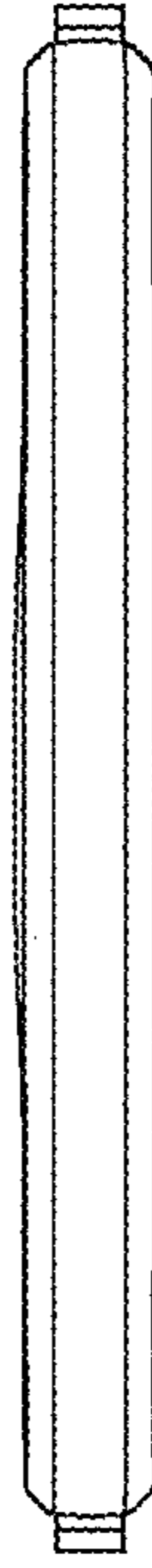


FIG.6

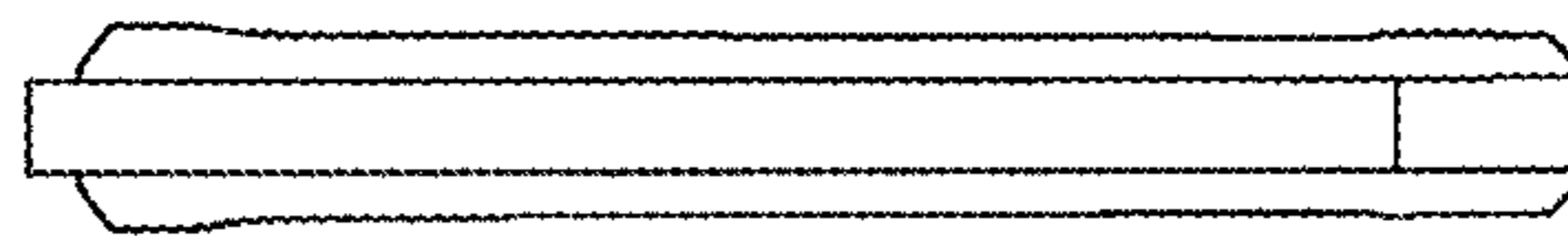


FIG.7



FIG.8

