



US00D748529S

(12) **United States Design Patent**  
**Paik et al.**

(10) **Patent No.:** **US D748,529 S**

(45) **Date of Patent:** **\*\* Feb. 2, 2016**

(54) **METAL CAM BELT STRAP ADJUSTER**

(56) **References Cited**

(71) Applicant: **WOOJIN PLASTIC CO., LTD,**  
Gyeonggi-do (KR)

U.S. PATENT DOCUMENTS

(72) Inventors: **Jisook Paik**, Seoul (KR); **Nan Hee Paik**,  
Seoul (KR); **Ji Hye Paik**, Seoul (KR); **Ji**  
**Won Son**, Seoul (KR)

3,084,411	A *	4/1963	Stig .....	A44B 11/2526
				24/193
3,157,929	A *	11/1964	Warner .....	A44B 11/2557
				24/196
D368,239	S *	3/1996	Lozano .....	D11/216
D377,155	S *	1/1997	Takimoto .....	D11/216
D393,606	S *	4/1998	Lin .....	D11/216
6,401,310	B1 *	6/2002	Warner .....	A63C 13/001
				24/179
D495,970	S *	9/2004	Uehara .....	D11/216
D496,881	S *	10/2004	Pontaoe .....	D11/216
D519,407	S *	4/2006	Yoshiguchi .....	D11/216
D651,122	S *	12/2011	Vincent .....	D11/216

(73) Assignee: **Woojin Plastic Co., Ltd.**, Gyeonggi-Do  
(KR)

(\*\*) Term: **14 Years**

\* cited by examiner

(21) Appl. No.: **29/513,608**

*Primary Examiner* — Ralf Seifert

(22) Filed: **Jan. 2, 2015**

(74) *Attorney, Agent, or Firm* — Jordan and Hamburg LLP

(30) **Foreign Application Priority Data**

Jul. 8, 2014 (KR) ..... 30-2014-0033318

(51) **LOC (10) Cl.** ..... **02-07**

(52) **U.S. Cl.**  
USPC ..... **D11/216**

(58) **Field of Classification Search**  
USPC ..... D11/1-2, 200-201, 206-210, 214-218;  
24/163 R, 169-171, 173, 177-179, 191,  
24/194-195, 197, 200, 614-616, 625, 198,  
24/578.11, 578.1, 163 K, 114  
CPC ..... A44B 11/26; A44B 11/25; A44B 11/06  
See application file for complete search history.

(57) **CLAIM**

The ornamental design for a metal cam belt strap adjuster, as shown and described.

**DESCRIPTION**

FIG. 1 is a perspective view of a metal cam belt strap adjuster, showing my new design;  
FIG. 2 is a front elevational view thereof;  
FIG. 3 is a rear elevational view thereof;  
FIG. 4 is a left side elevational view thereof;  
FIG. 5 is a right side elevational view thereof;  
FIG. 6 is a top plan view thereof;  
FIG. 7 is a bottom plan view thereof; and,  
FIG. 8 is a cross-sectional view taken along the lines VIII-VIII of FIG. 2.

**1 Claim, 2 Drawing Sheets**

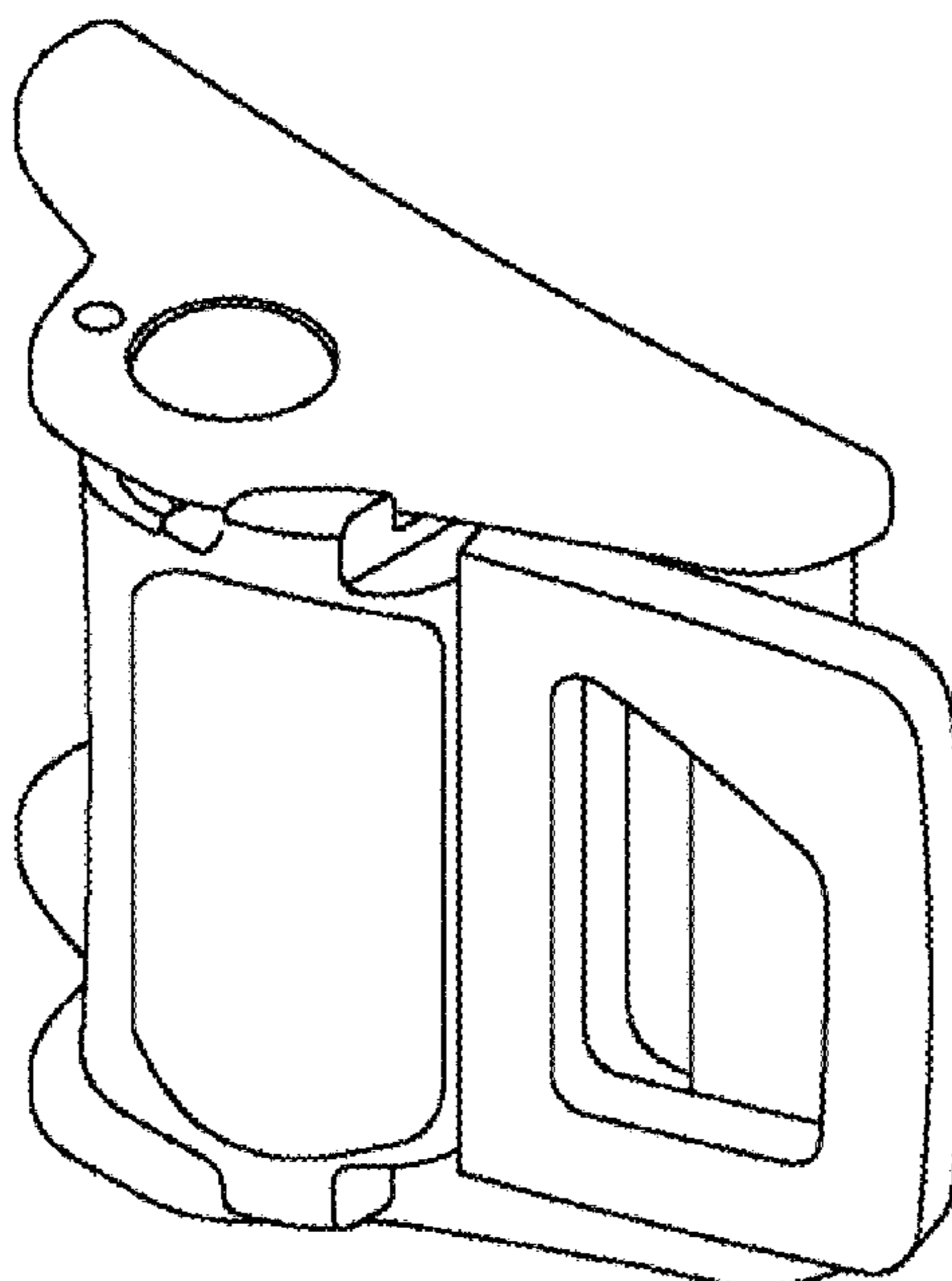


FIG.1

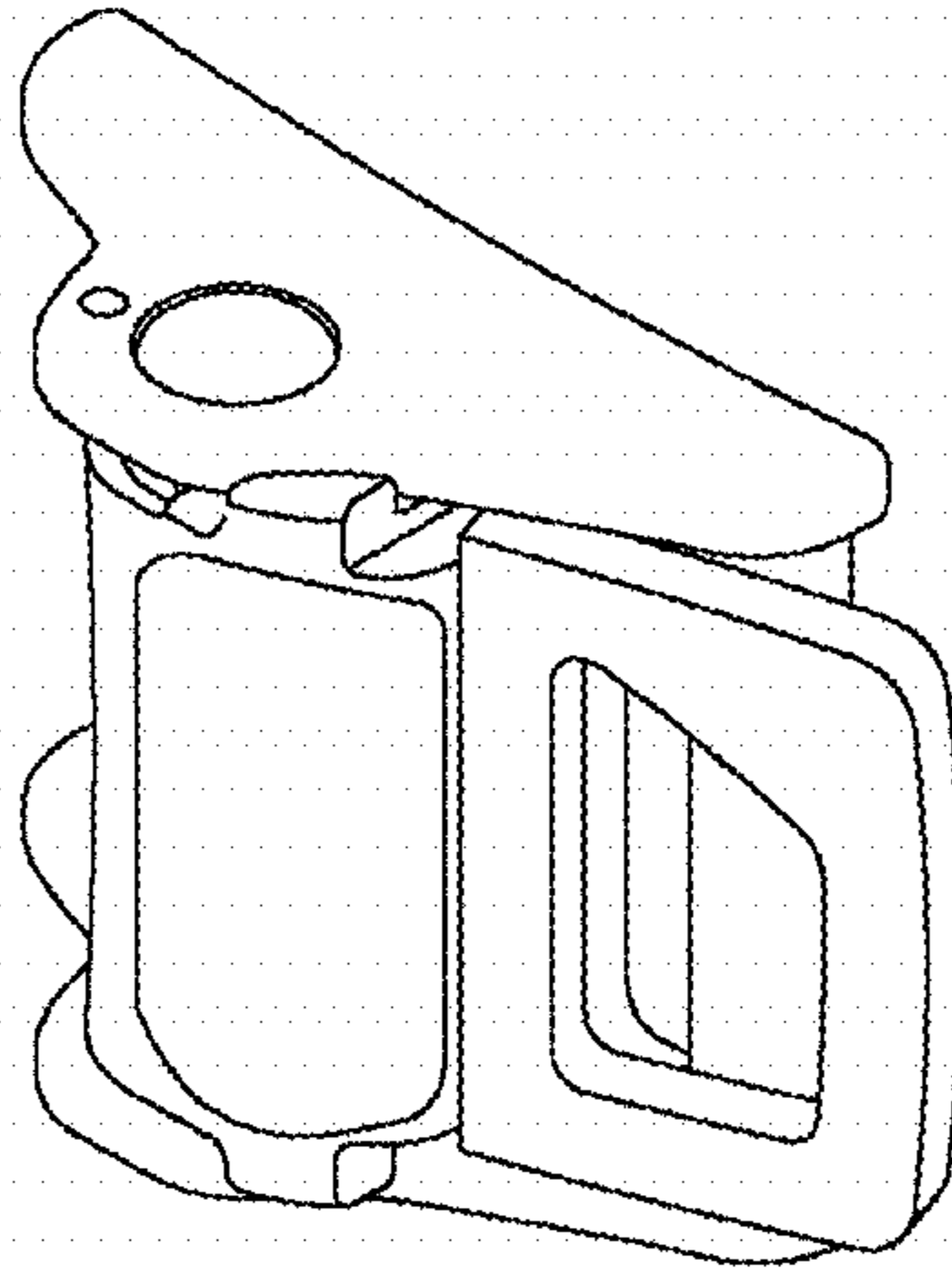


FIG.2

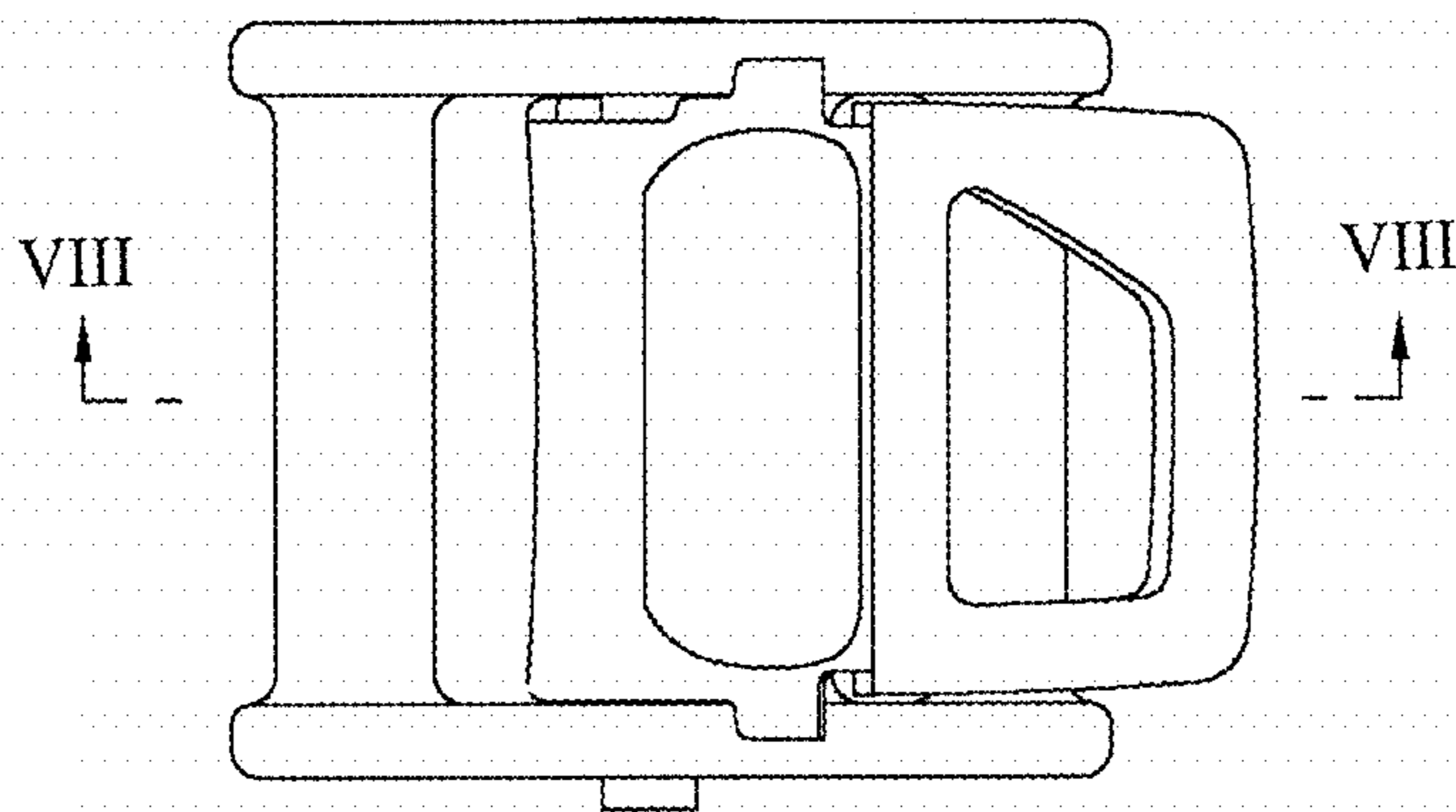


FIG.3

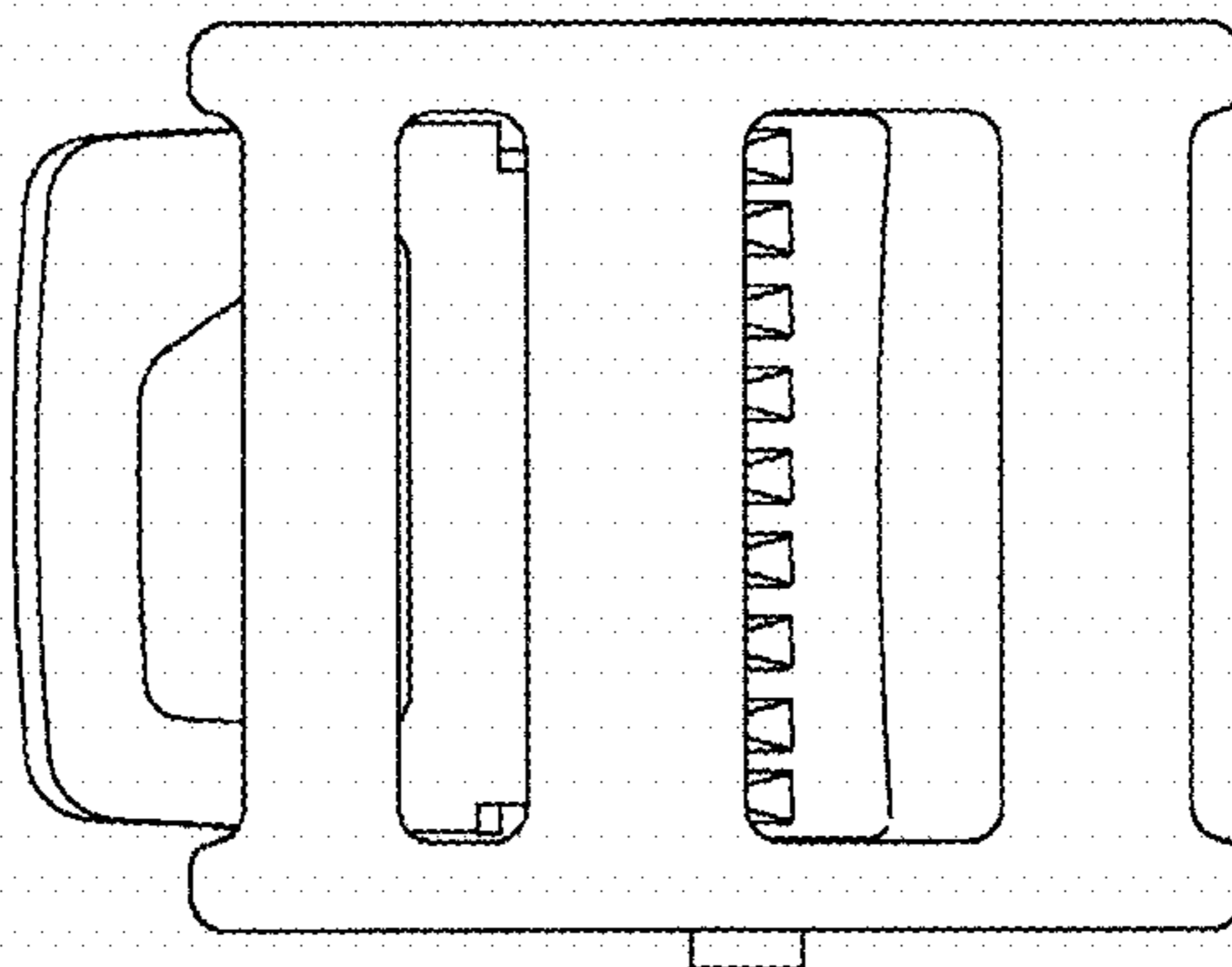


FIG.4

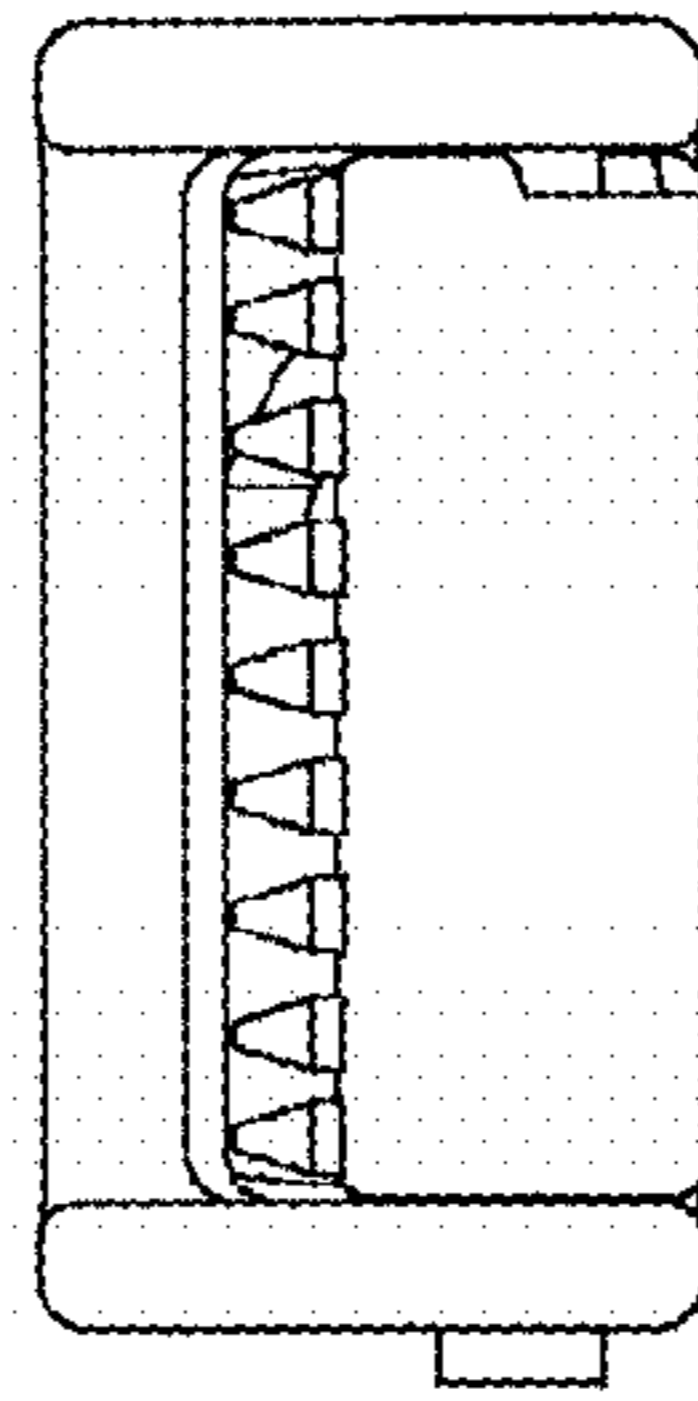


FIG.5

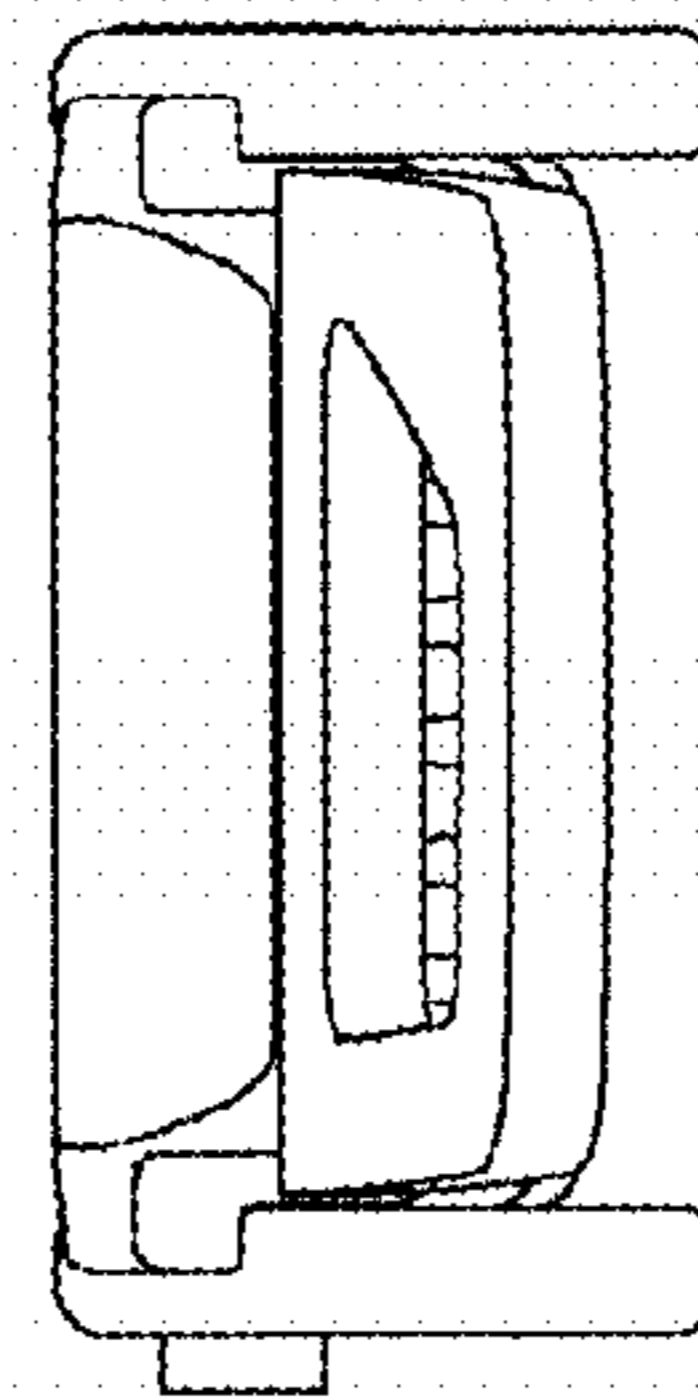


FIG.6

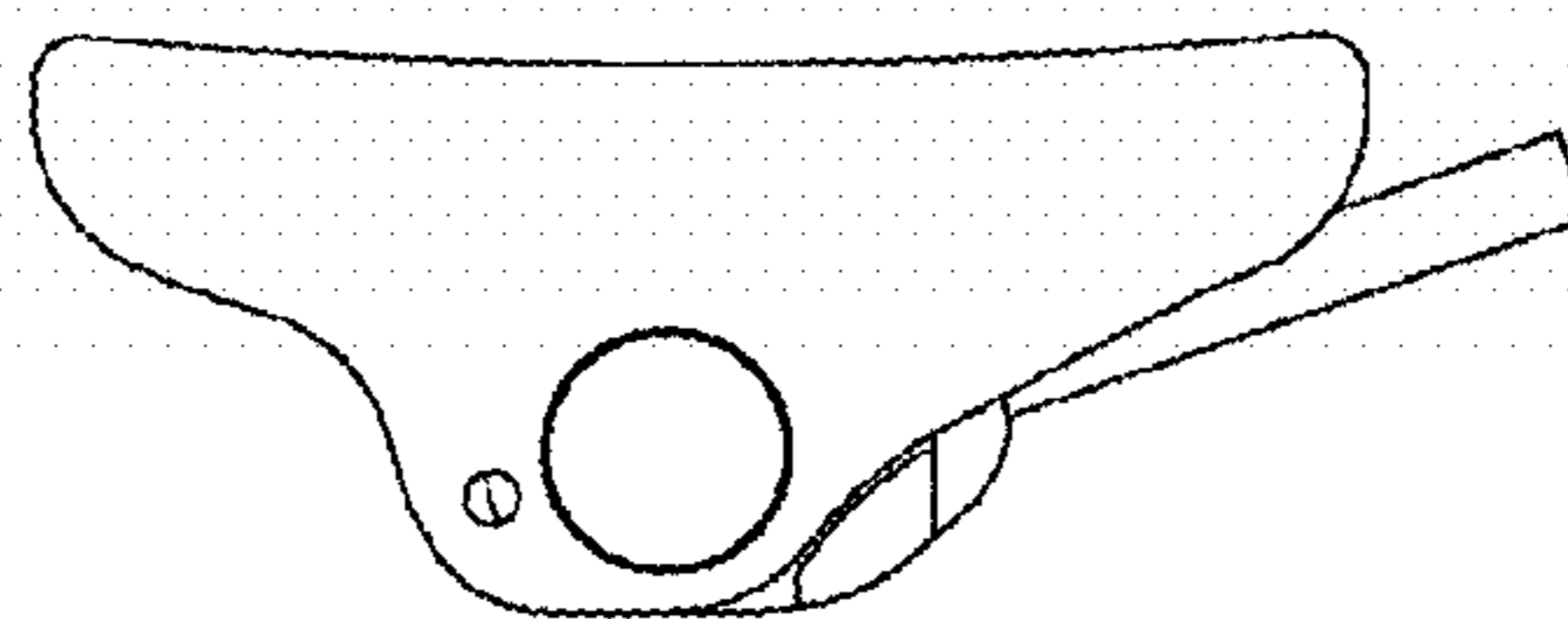


FIG.7

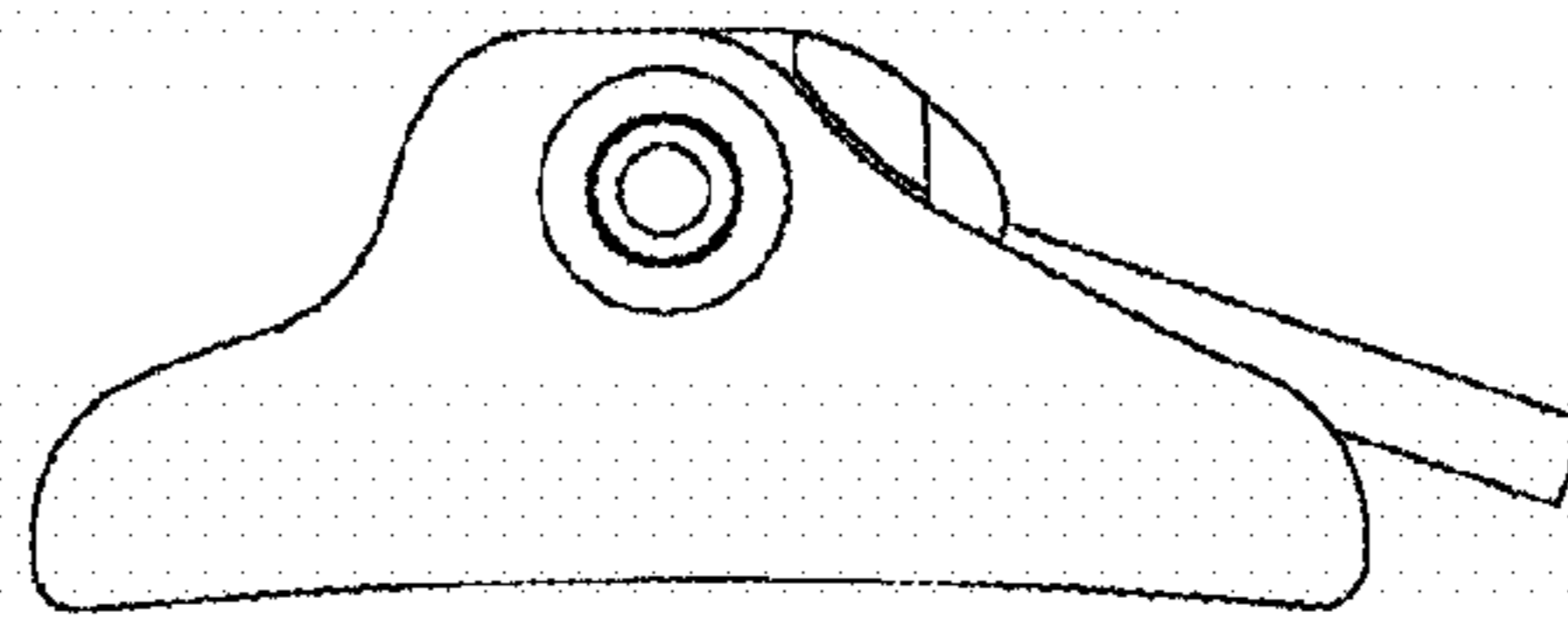


FIG.8

