



US00D748523S

(12) **United States Design Patent**
Vartanian

(10) **Patent No.:** **US D748,523 S**

(45) **Date of Patent:** **** Feb. 2, 2016**

(54) **ARTICLE OF JEWELRY**

(71) Applicant: **JACK VARTANIAN EPP**, São Paulo (BR)

(72) Inventor: **Jack Vartanian**, São Paulo (BR)

(73) Assignee: **Jack Vartanian Epp**, Sao Paulo (BR)

(**) Term: **14 Years**

(21) Appl. No.: **29/472,467**

(22) Filed: **Nov. 12, 2013**

(51) **LOC (10) Cl.** **11-01**

(52) **U.S. Cl.**
USPC **D11/40; D11/26**

(58) **Field of Classification Search**
USPC D11/1, 2, 26-43, 79-86, 91, 92; 63/12,
63/13, 14, 18, 26-28, 29.1, 29.2, 31, 32,
63/1.11, 35

See application file for complete search history.

(56) **References Cited**

U.S. PATENT DOCUMENTS

D132,457 S	5/1942	Nathan
D145,263 S	7/1946	Philippe
D152,068 S	12/1948	Donchi
D156,312 S	12/1949	Bogoff
D172,623 S	7/1954	Katz

(Continued)

OTHER PUBLICATIONS

[Online] <http://onlinestore.jackvartanian.com/collection/new-desire#!/campanha/3>. Retrieved Jun. 26, 2014.*

(Continued)

Primary Examiner — Cathron Brooks

Assistant Examiner — Melanie Pellegrini

(74) *Attorney, Agent, or Firm* — Ladas & Parry, LLP

(57) **CLAIM**

The ornamental design for an article of jewelry, as shown and described.

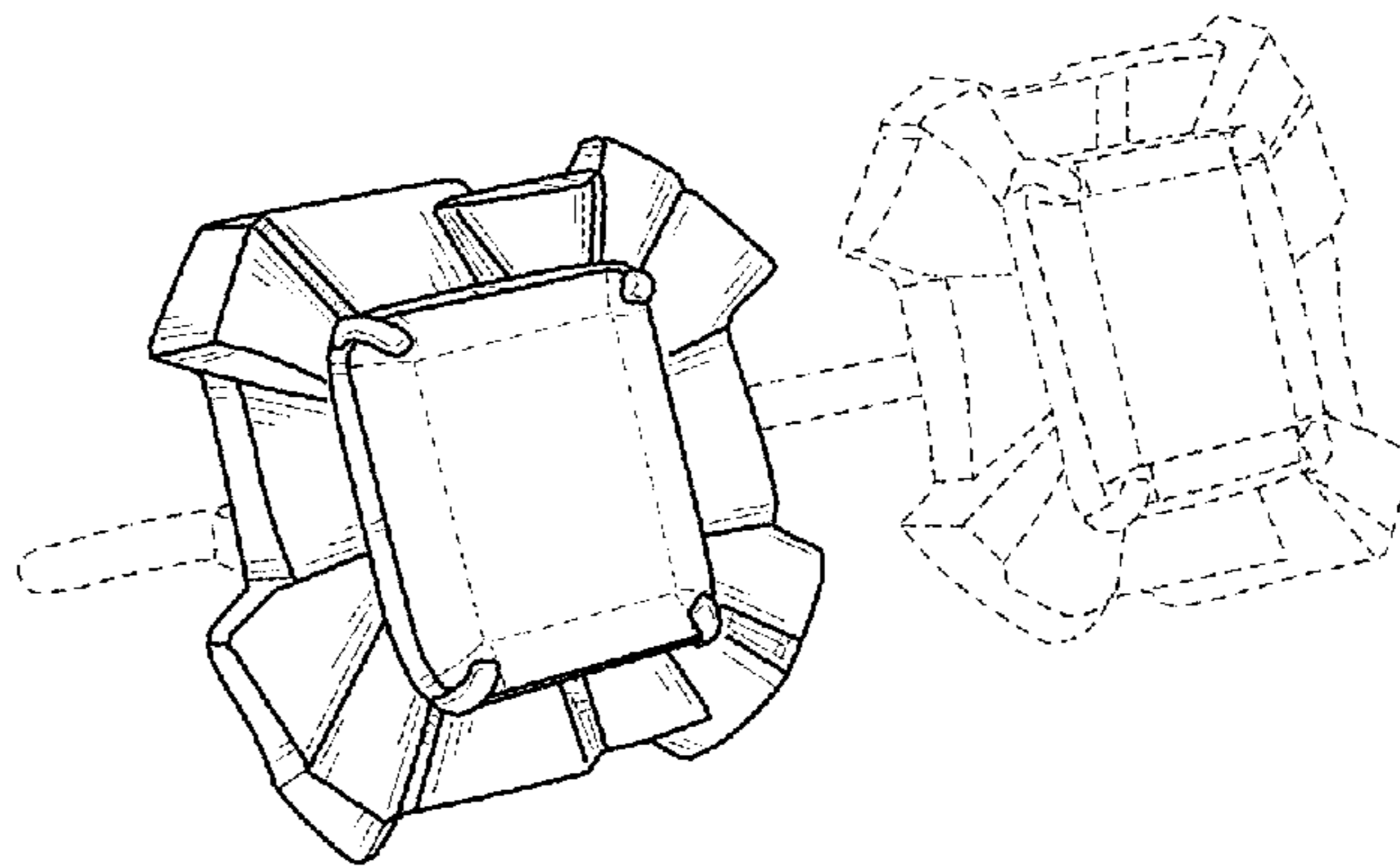
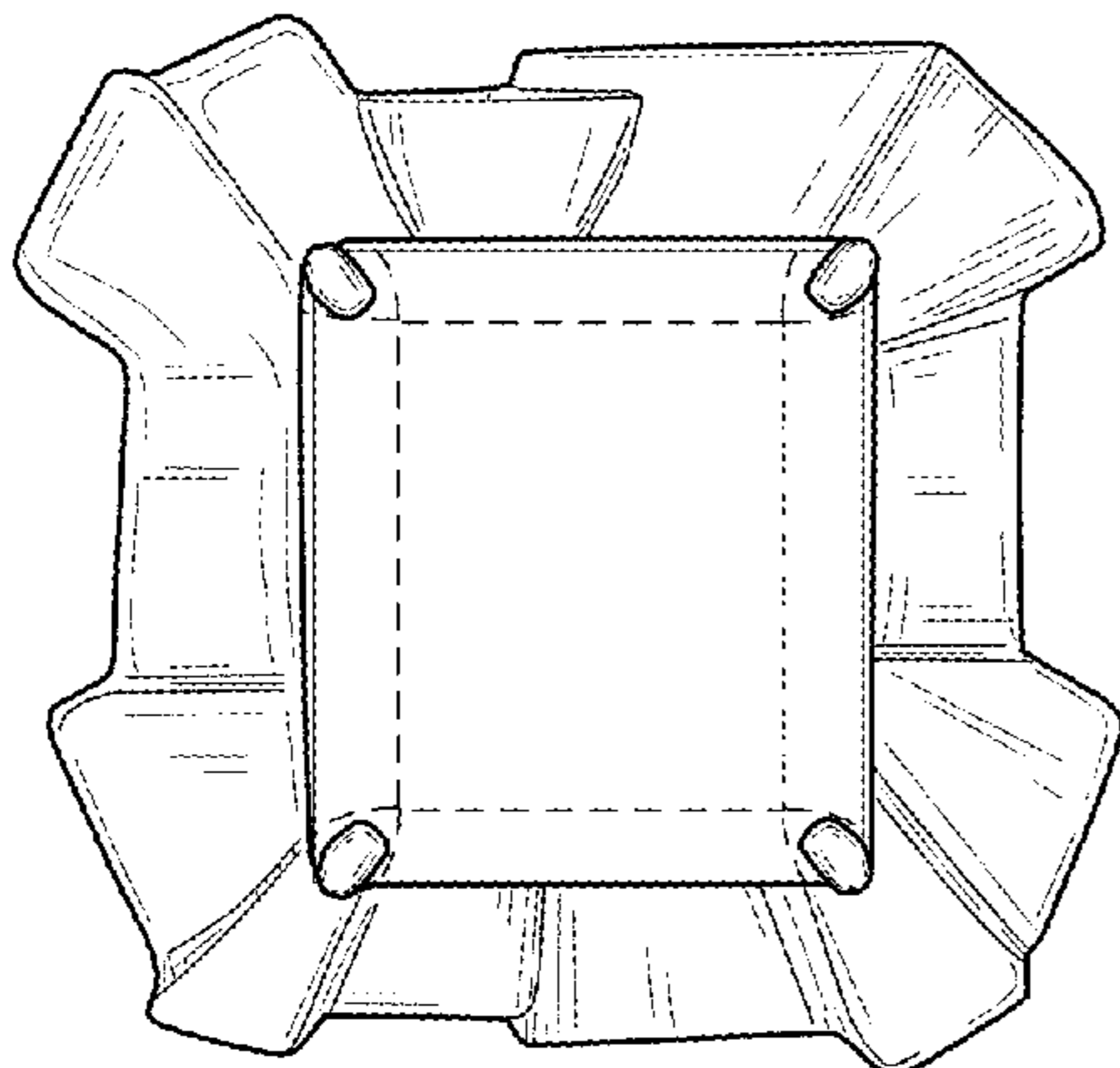
DESCRIPTION

FIG. 1 is a front perspective view of a first embodiment of an article of jewelry in accordance with the design;
 FIG. 2 is a front view of the design thereof;
 FIG. 3 is a back view of the design thereof;
 FIG. 4 is a left side view of the design thereof;
 FIG. 5 is a top view of the design thereof;
 FIG. 6 is a front view of a second embodiment of the design thereof;
 FIG. 7 is a back perspective view of the design thereof;
 FIG. 8 is a left side view of the design thereof;
 FIG. 9 is a top view of the design thereof;
 FIG. 10 is a front perspective view of a third embodiment of the design thereof;
 FIG. 11 is a front view of a design thereof;
 FIG. 12 is a back perspective view of the design thereof;
 FIG. 13 is a left side view of the design thereof;
 FIG. 14 is a right side view of a third embodiment of the design thereof;
 FIG. 15 is a top view of the design thereof; and,
 FIG. 16 is a bottom view of the design thereof.

The broken lines shown in the drawings represent portions of the article of jewelry which form no part of the claimed design.

The design of the article includes further embodiments which are mirror images of the first through third embodiments.

1 Claim, 9 Drawing Sheets



(56)

References Cited

U.S. PATENT DOCUMENTS

D257,026	S	9/1980	Barr	
D279,878	S	7/1985	Moon	
D335,471	S	5/1993	Coleman	
D381,925	S	8/1997	Bergannini	
D386,439	S	11/1997	Itzkowitz	
D394,824	S	6/1998	Itzkowitz	
D406,246	S	3/1999	Bulgari	
D417,636	S *	12/1999	Ambar	D11/40
D439,190	S	3/2001	Itzkowitz	
D442,110	S	5/2001	Edmond	
D447,716	S	9/2001	Itzkowitz	
D452,183	S	12/2001	Pinto	
D460,714	S	7/2002	Steinberg	
D485,778	S	1/2004	Steckbeck	
D485,779	S	1/2004	Steckbeck	
D486,416	S	2/2004	Pachachi	
D499,046	S	11/2004	Pinto	
D511,310	S	11/2005	Gruosi	
D642,088	S *	7/2011	Kothari	D11/40
D655,219	S *	3/2012	Kothari	D11/40
D666,522	S *	9/2012	Dholakiya	D11/91
D674,315	S *	1/2013	Dholakiya	D11/40
D679,215	S *	4/2013	Roehl	D11/91
D682,139	S *	5/2013	Kothari	D11/40
2011/0056242	A1	3/2011	Chan	

OTHER PUBLICATIONS

U.S. Appl. No. 29/467,066, filed Sep. 13, 2013, Vartanian.
 U.S. Appl. No. 29/469,684, filed Oct. 12, 2013, Vartanian.
 U.S. Appl. No. 29/472,468, filed Nov. 12, 2013, Vartanian.
 U.S. Appl. No. 29/482,689, filed Feb. 20, 2014, Vartanian.
 U.S. Appl. No. 29/483,607, filed Feb. 28, 2014, Vartanian.
 U.S. Appl. No. 29/483,609, filed Feb. 28, 2014, Vartanian.
 U.S. Appl. No. 29/483,610, filed Feb. 28, 2014, Vartanian.
 U.S. Appl. No. 29/483,611, filed Feb. 28, 2014, Vartanian.
 U.S. Appl. No. 29/483,914, filed Mar. 4, 2014, Vartanian.
 U.S. Appl. No. 29/484,340, filed Mar. 7, 2014, Vartanian.
 U.S. Appl. No. 29/484,341, filed Mar. 7, 2014, Vartanian.
 U.S. Appl. No. 29/484,502, filed Mar. 10, 2014, Vartanian.
 Picture of table, taken on Jul. 16, 2014.
 [Online] <http://cherylkremkow.com/core/wp-content/uploads/2014/07/Jack-Vartanian-Ruby.jpg>. Retrieved Sep. 15, 2014.
 [Online] <http://mdemulher.abril.com.br/blogs/modaspot-news/files/legado/2013/03/joias.jpg> Retrieved Aug. 21, 2014.

[Online] <http://media-cache-ak0.pinimg.com/236x/28/58/c6/2858c6829b4485a5e6022552327a81e5.jpg>. Retrieved Sep. 17, 2014.
 [Online] <http://media-cache-ak0.pinimg.com/236x/77/c6/94/77c694ba4375d2e3fbf93b28e187b9d3.jpg>. Retrieved Sep. 11, 2014.
 [Online] <http://media-cache-ak0.pinimg.com/736x/24/f6/e7/24f6e7fba27f0b3c11e32ec62d3e273.jpg>. Retrieved Sep. 17, 2014.
 [Online] <http://media-cache-ec0.pinimg.com/236x/7e/91/ff/7e91ff2bb400a39579acf5d39c021196.jpg>. Retrieved Sep. 17, 2014.
 [Online] <http://media-cache-ec0.pinimg.com/736x/23/ff/eb/23ffeb119625af9a8b1104757e0a166e.jpg>. Retrieved Sep. 17, 2014.
 [Online] <http://media-cache-ec0.pinimg.com/736x/c7/84/fl/c784f163e3fcb9749c47f66cec011f52.jpg>. Retrieved Sep. 11, 2014.
 [Online] <http://thefashion-court.com/wp-content/uploads/2014/06/jack-vartanian-universal-diamond-ear-climbers-earrings.png>. Retrieved Sep. 17, 2014.
 [Online] <http://thefashion-court.com/wp-content/uploads/2014/06/jack-vartanian-diamond-ear-climbers-black.png>. Retrieved Sep. 17, 2014.
 Office Action from Design U.S. Appl. No. 29/467,066, mailed on Sep. 17, 2014.
 Office Action from Design U.S. Appl. No. 29/469,684, mailed on Aug. 25, 2014.
 Office Action from Design U.S. Appl. No. 29/472,468 mailed on Jun. 30, 2014.
 Office Action from Design U.S. Appl. No. 29/482,689 mailed on Oct. 1, 2014.
 Office Action from Design U.S. Appl. No. 29/483,607 mailed on Sep. 23, 2014.
 Office Action from Design U.S. Appl. No. 29/483,609 mailed on Sep. 17, 2014.
 Office Action from Design U.S. Appl. No. 29/483,610 mailed on Sep. 18, 2014.
 Office Action from Design U.S. Appl. No. 29/483,611 mailed on Sep. 22, 2014.
 Office Action from Design U.S. Appl. No. 29/483,914 mailed on Sep. 25, 2014.
 Office Action from Design U.S. Appl. No. 29/484,340 mailed on Sep. 23, 2014.
 Office Action from Design U.S. Appl. No. 29/484,341 mailed on Sep. 19, 2014.
 Office Action from Design U.S. Appl. No. 29/484,502 mailed on Sep. 22, 2014.
 [Online] <http://onlinestore.jackvartanian.com/collection/new-desire#!/campanha/0>. Retrieved Jun. 26, 2014.

* cited by examiner

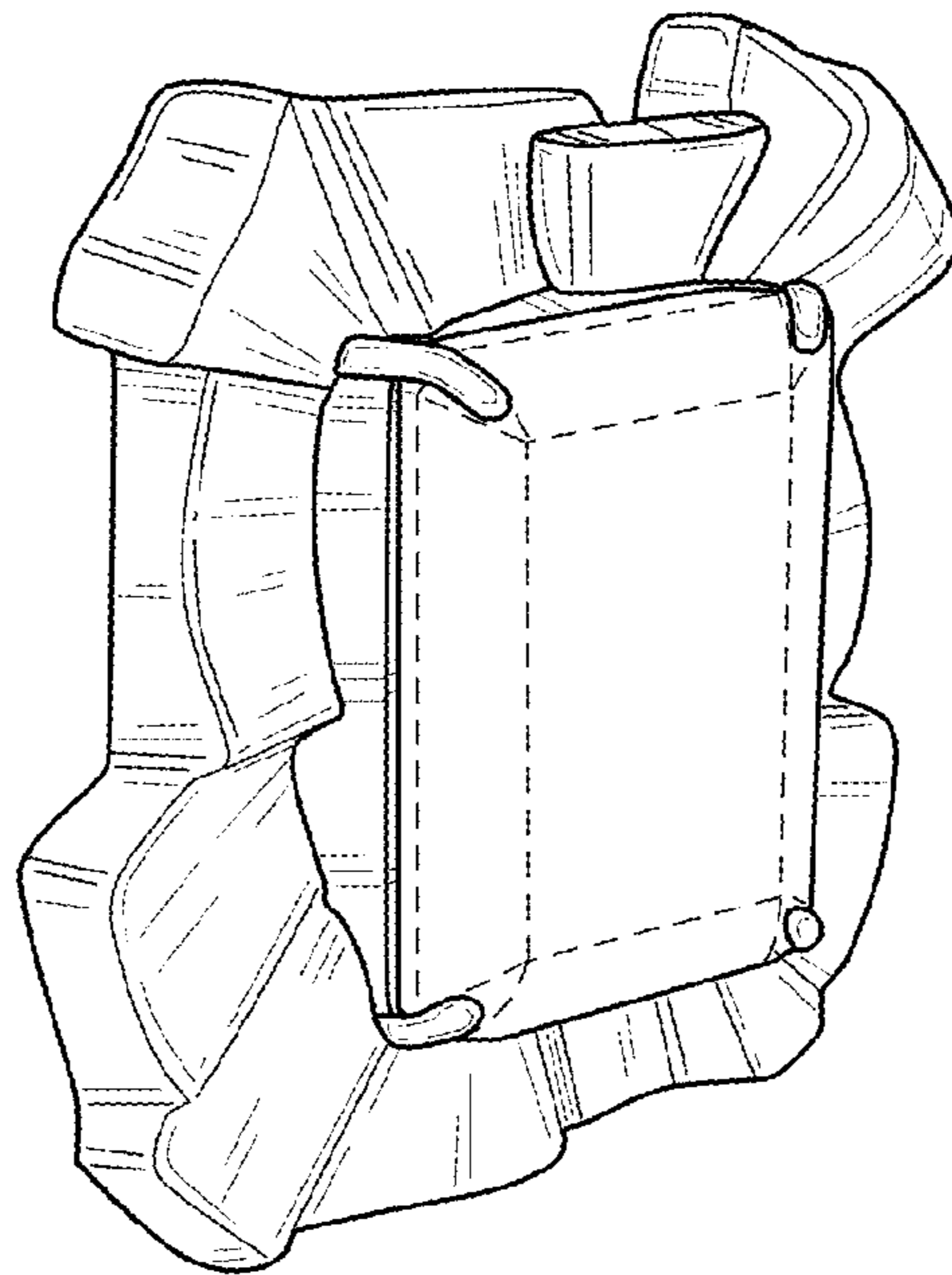


FIG. 1

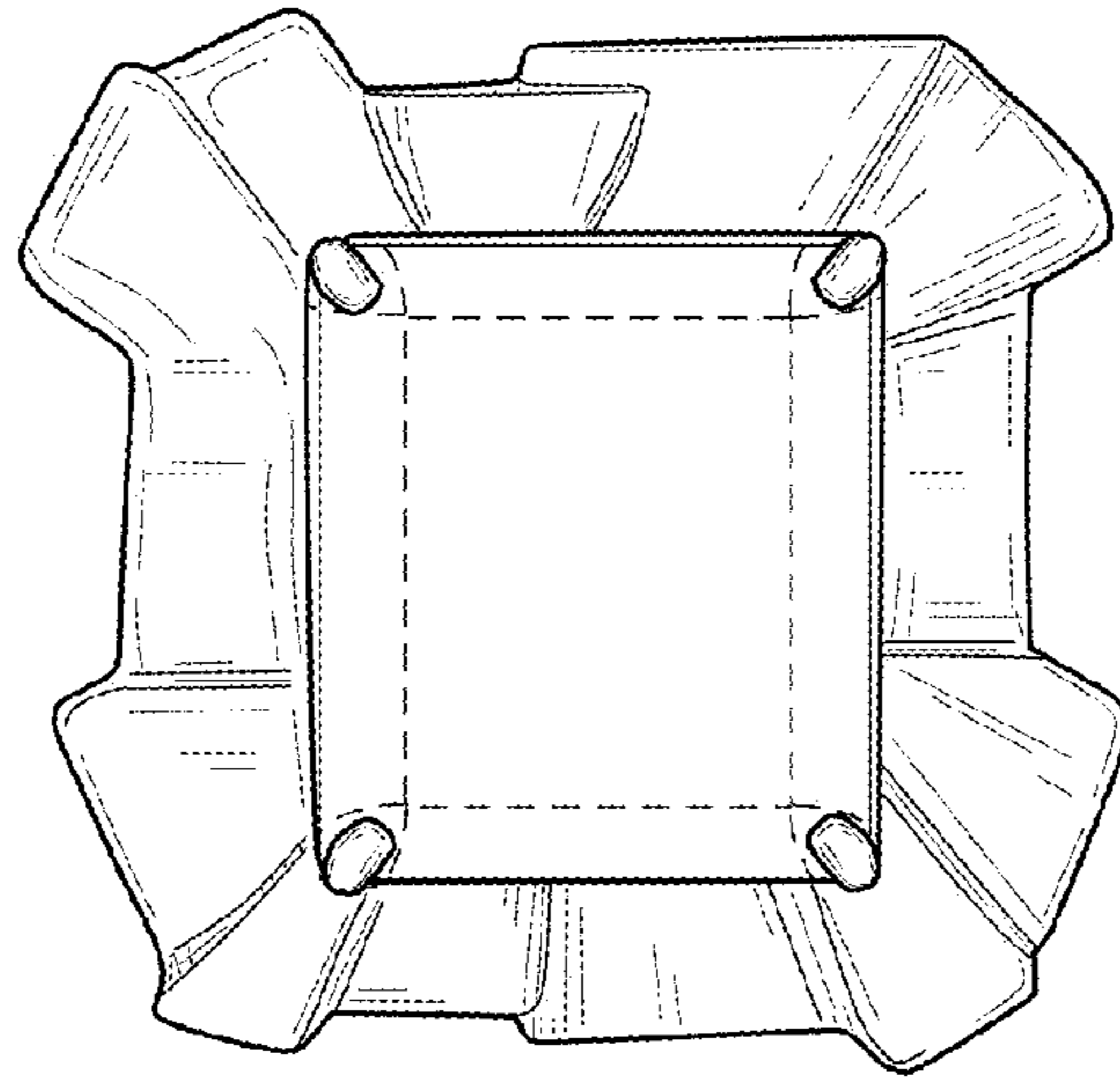


FIG. 2

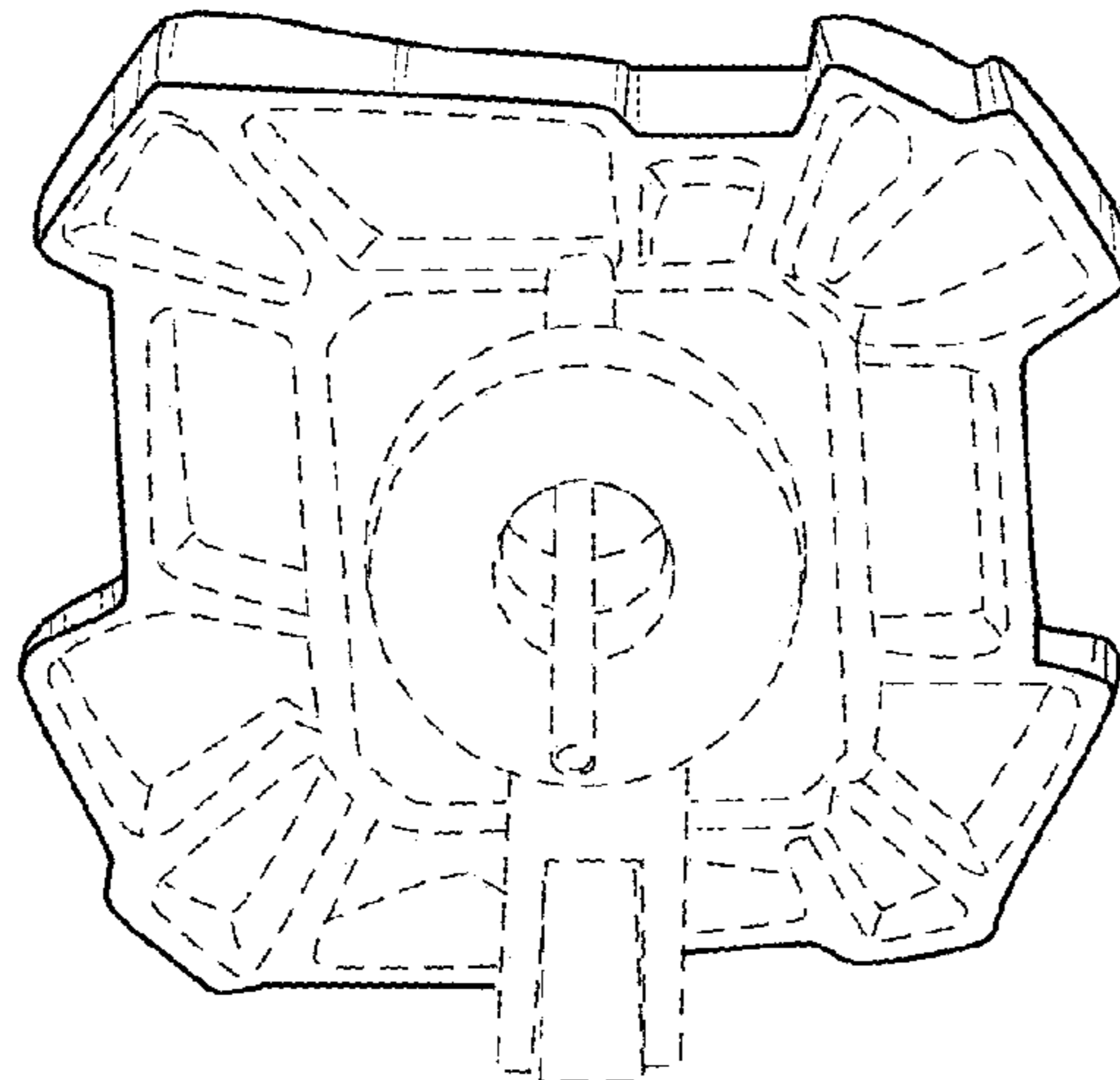


FIG. 3

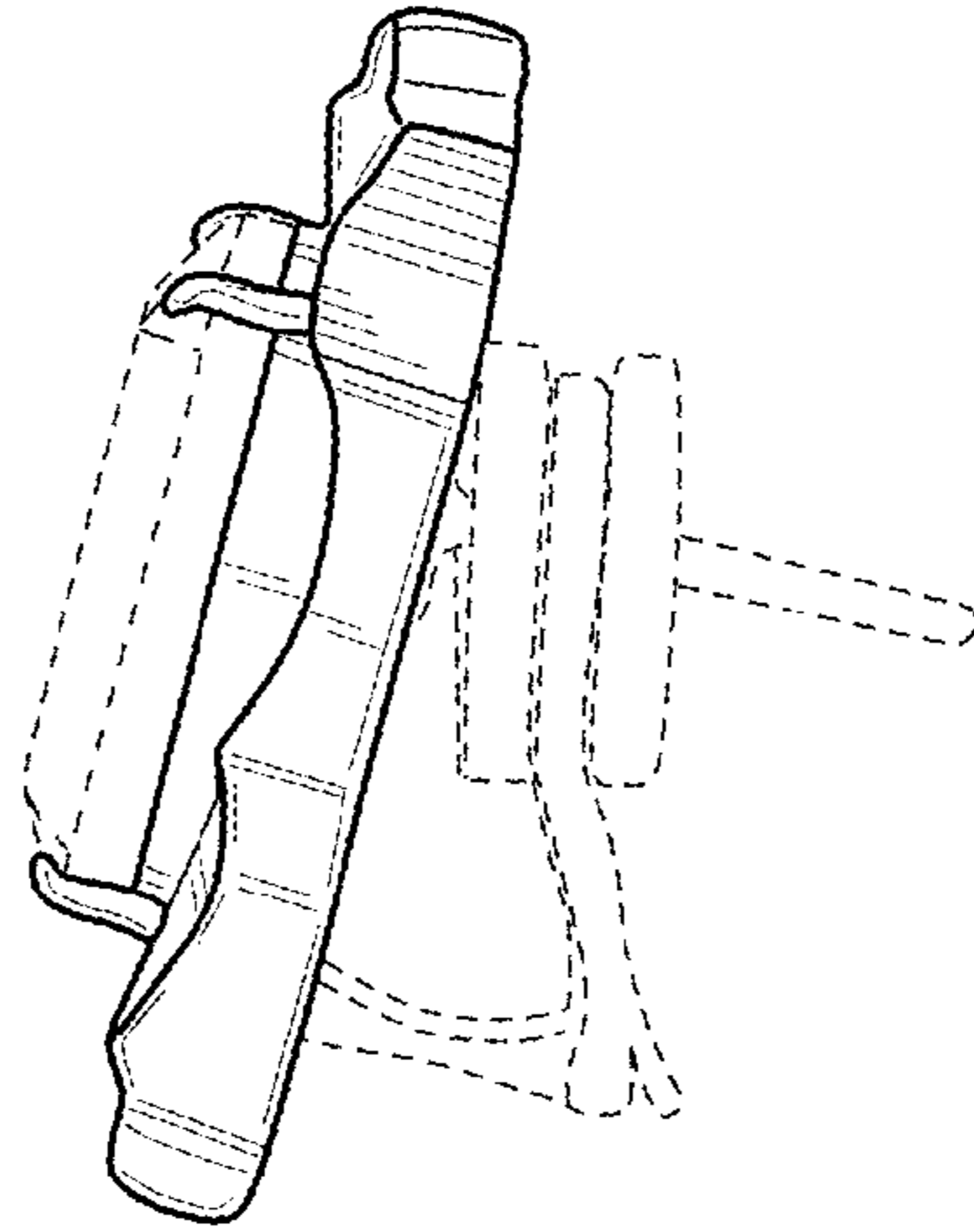


FIG. 4

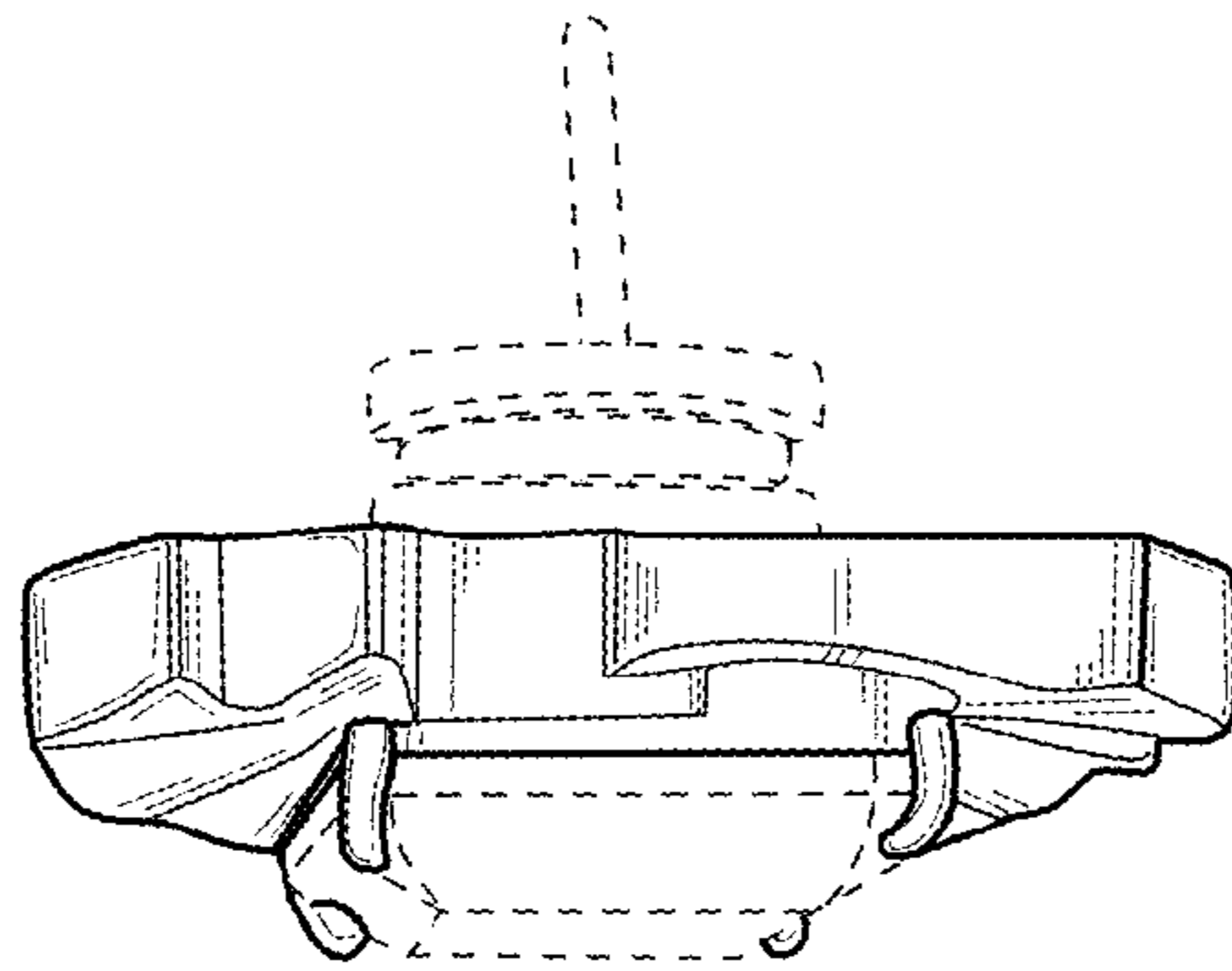


FIG. 5

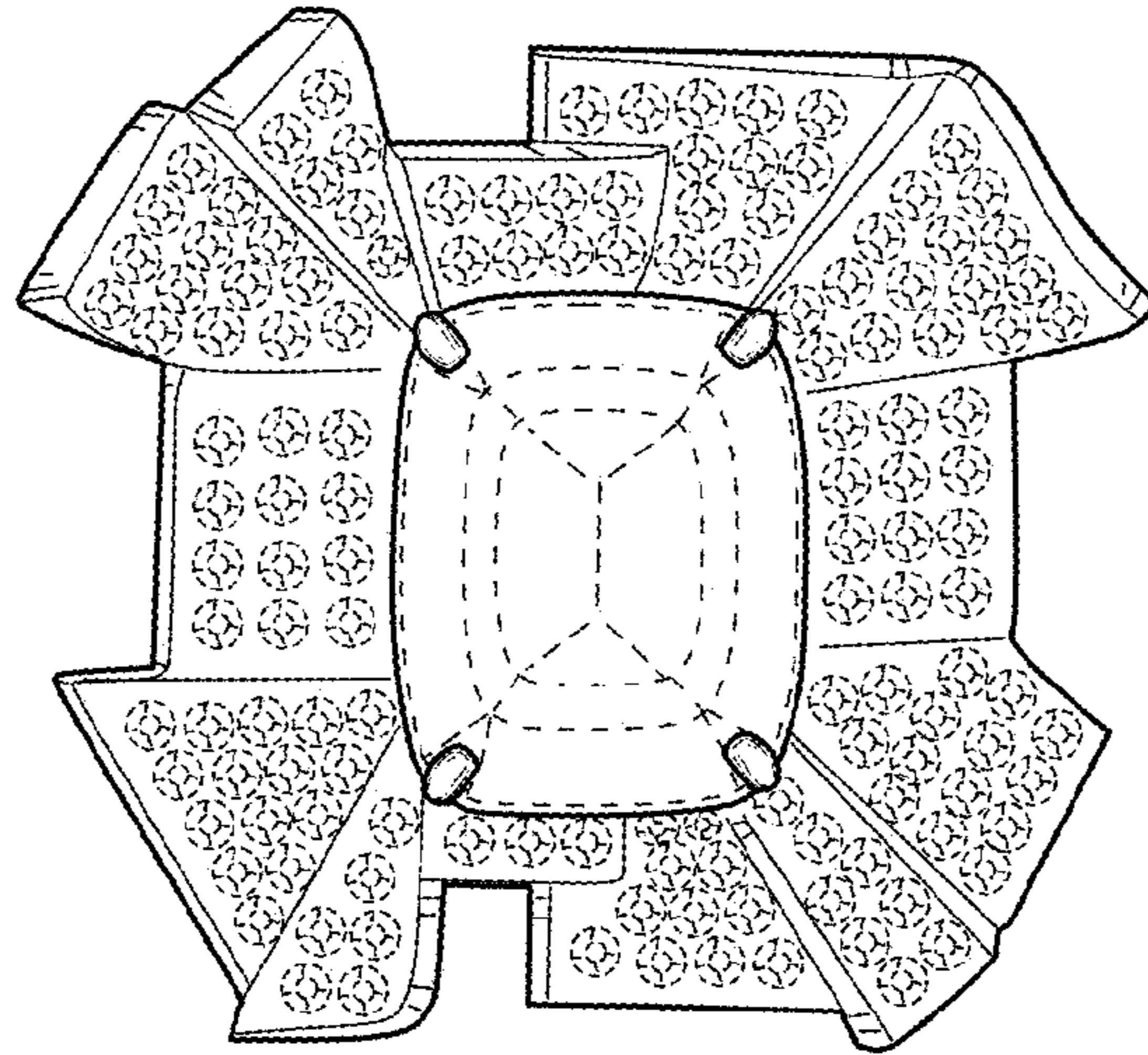


FIG. 6

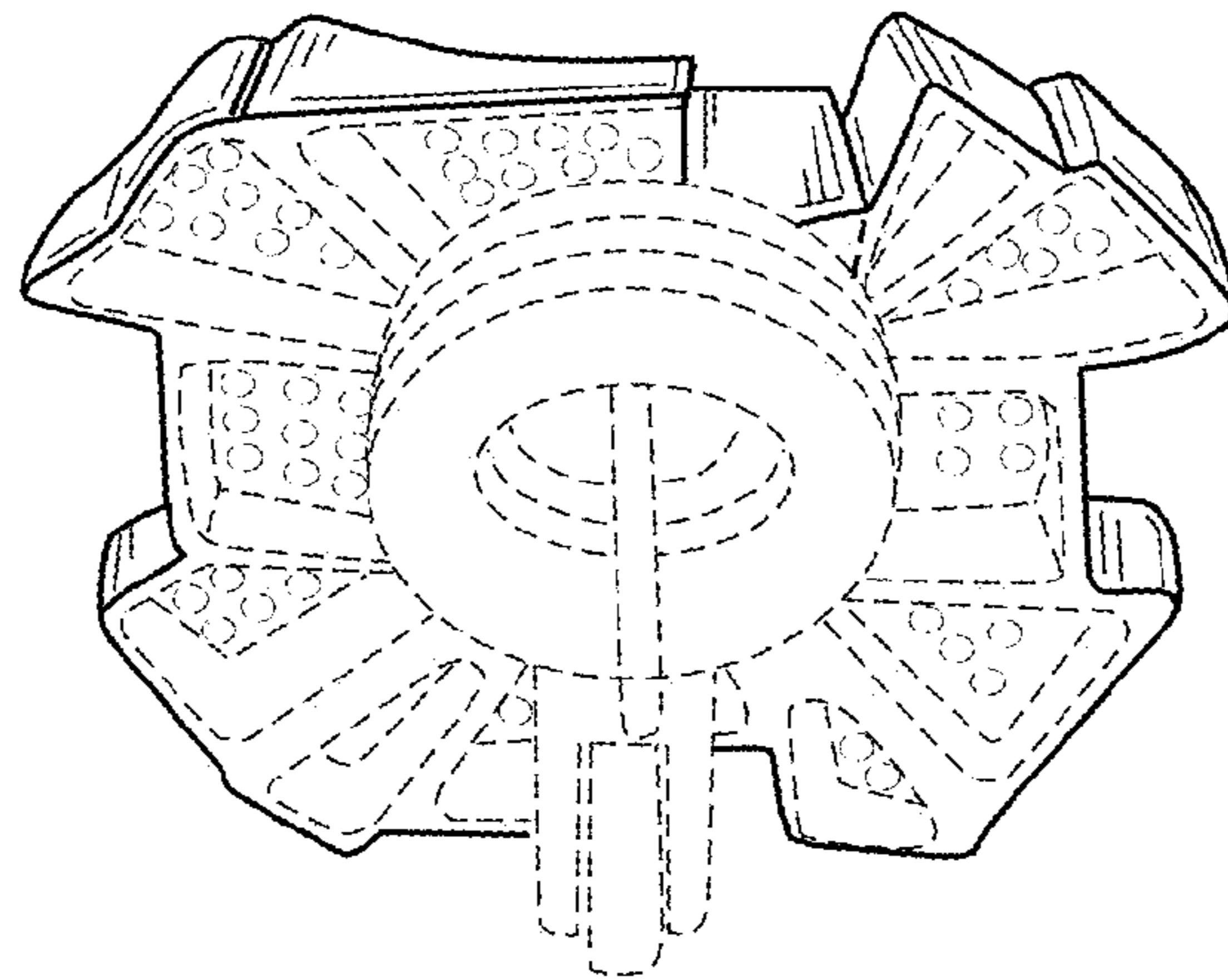


FIG. 7

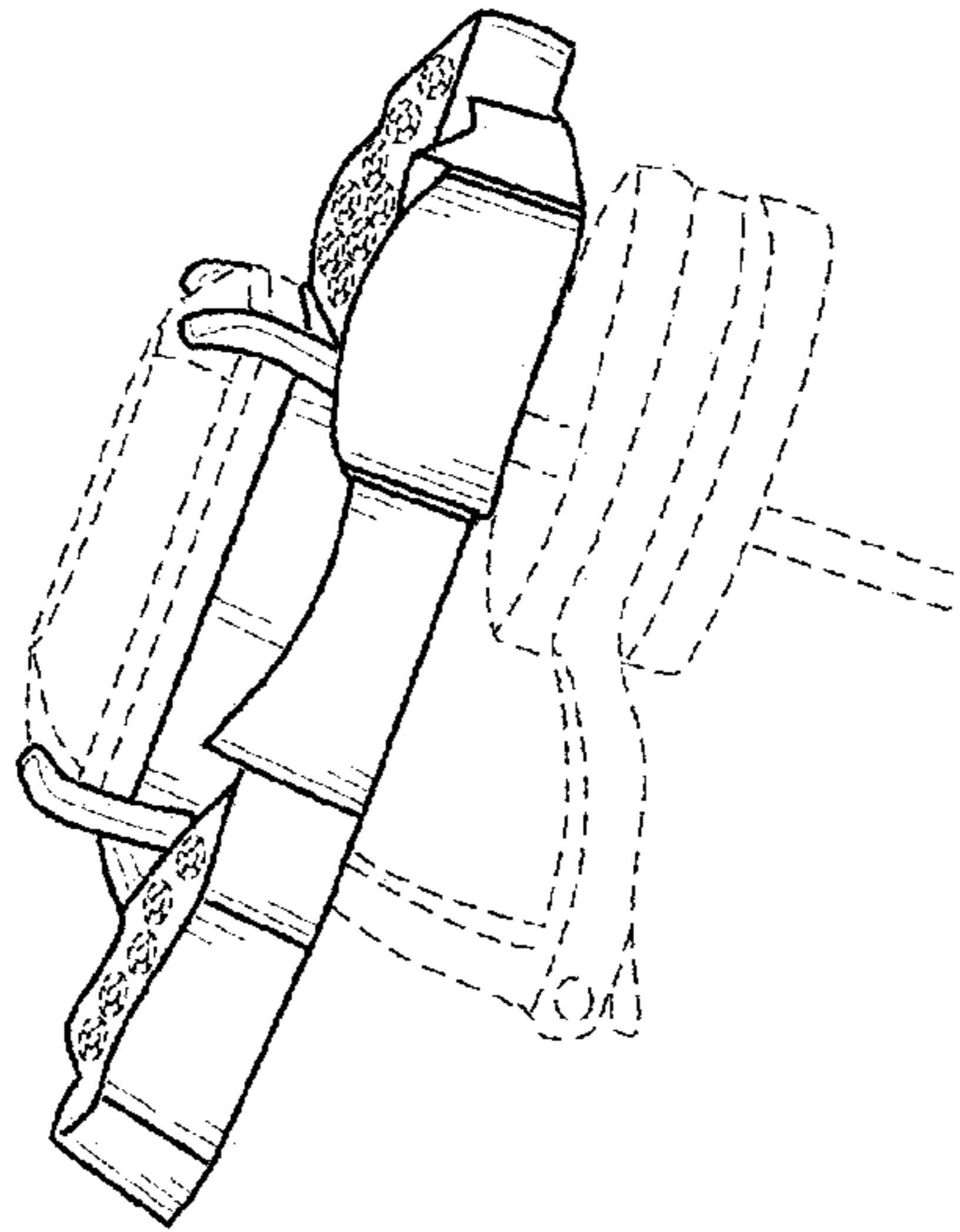


FIG. 8

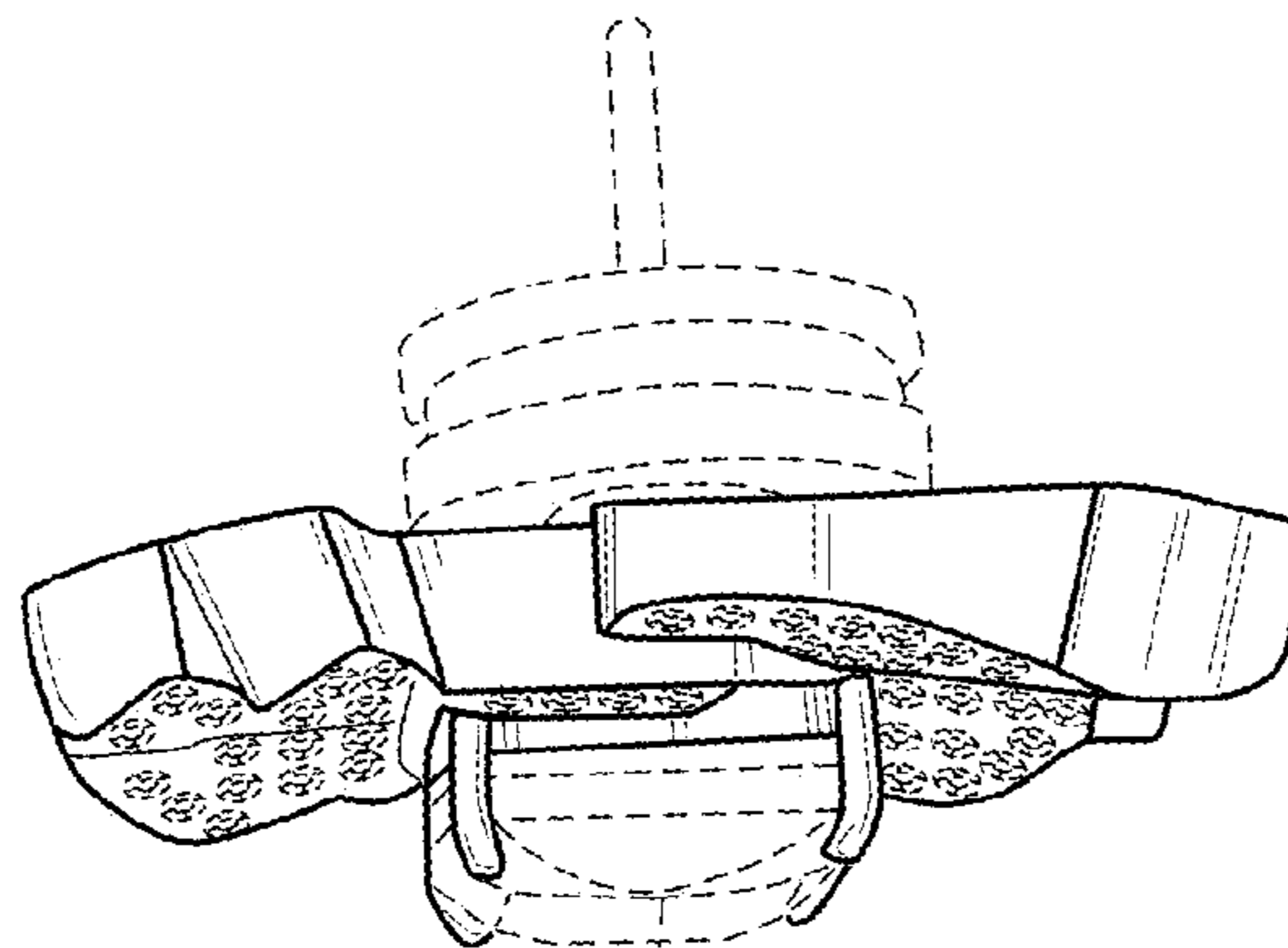


FIG. 9

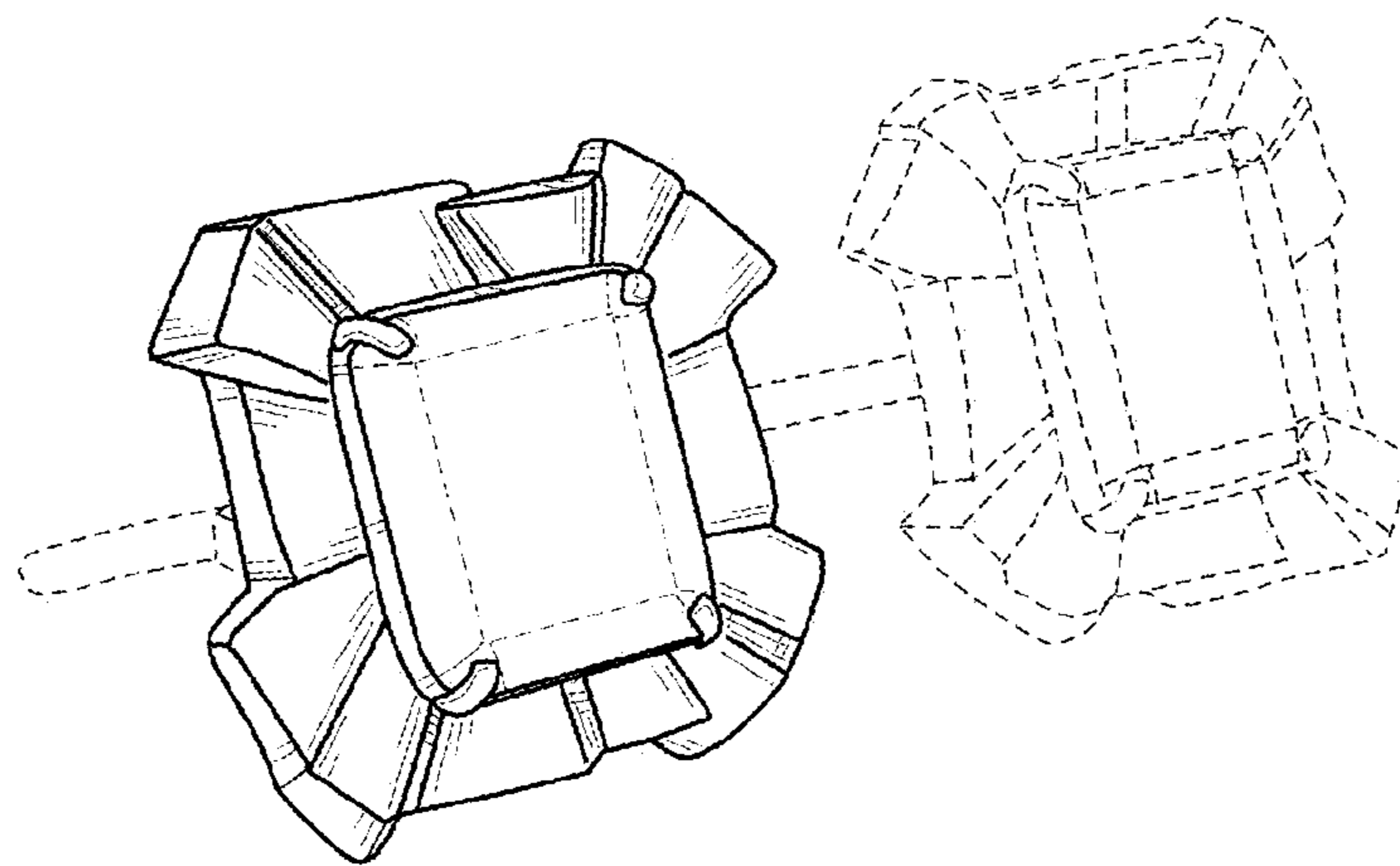


FIG. 10

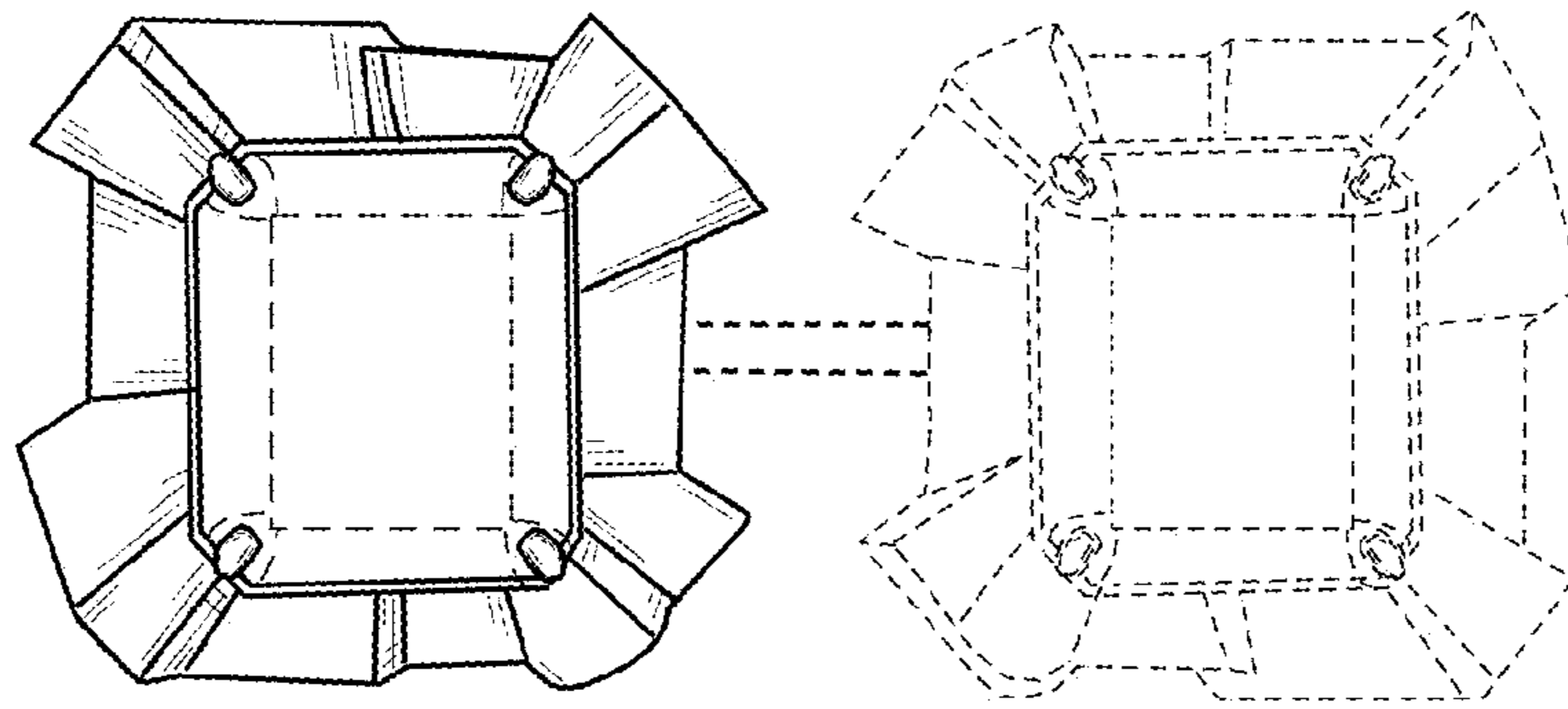


FIG. 11

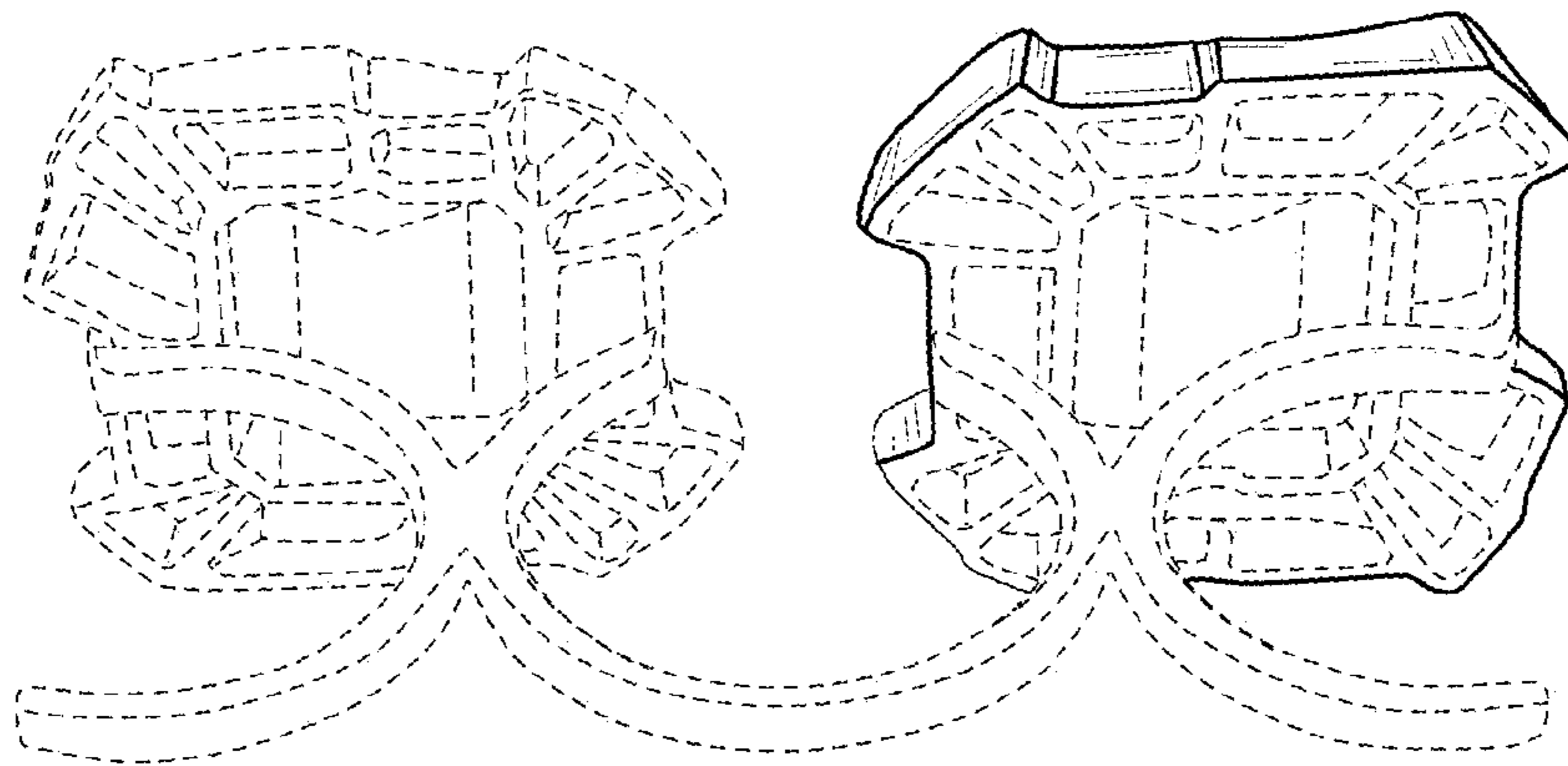


FIG. 12

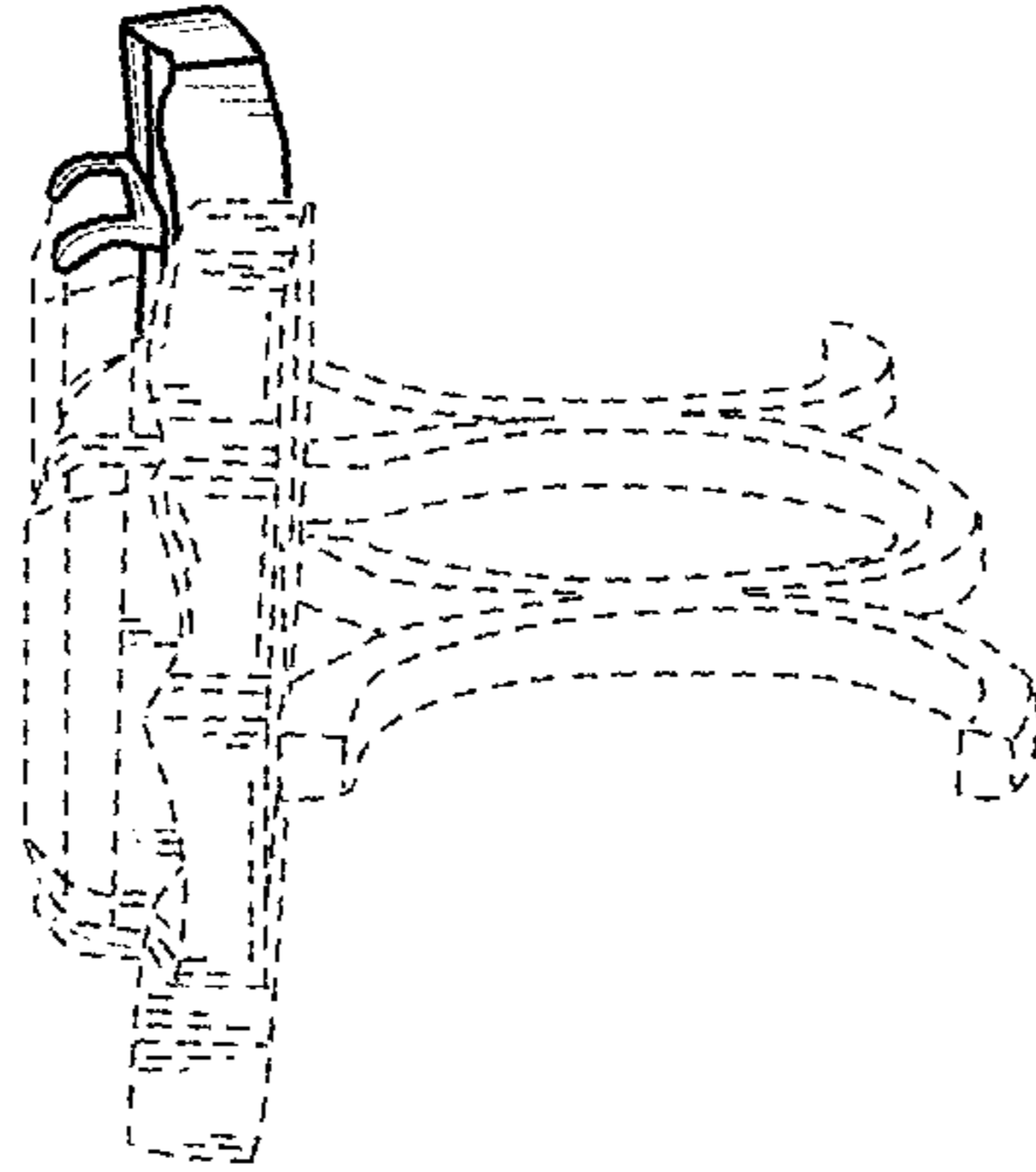


FIG. 13

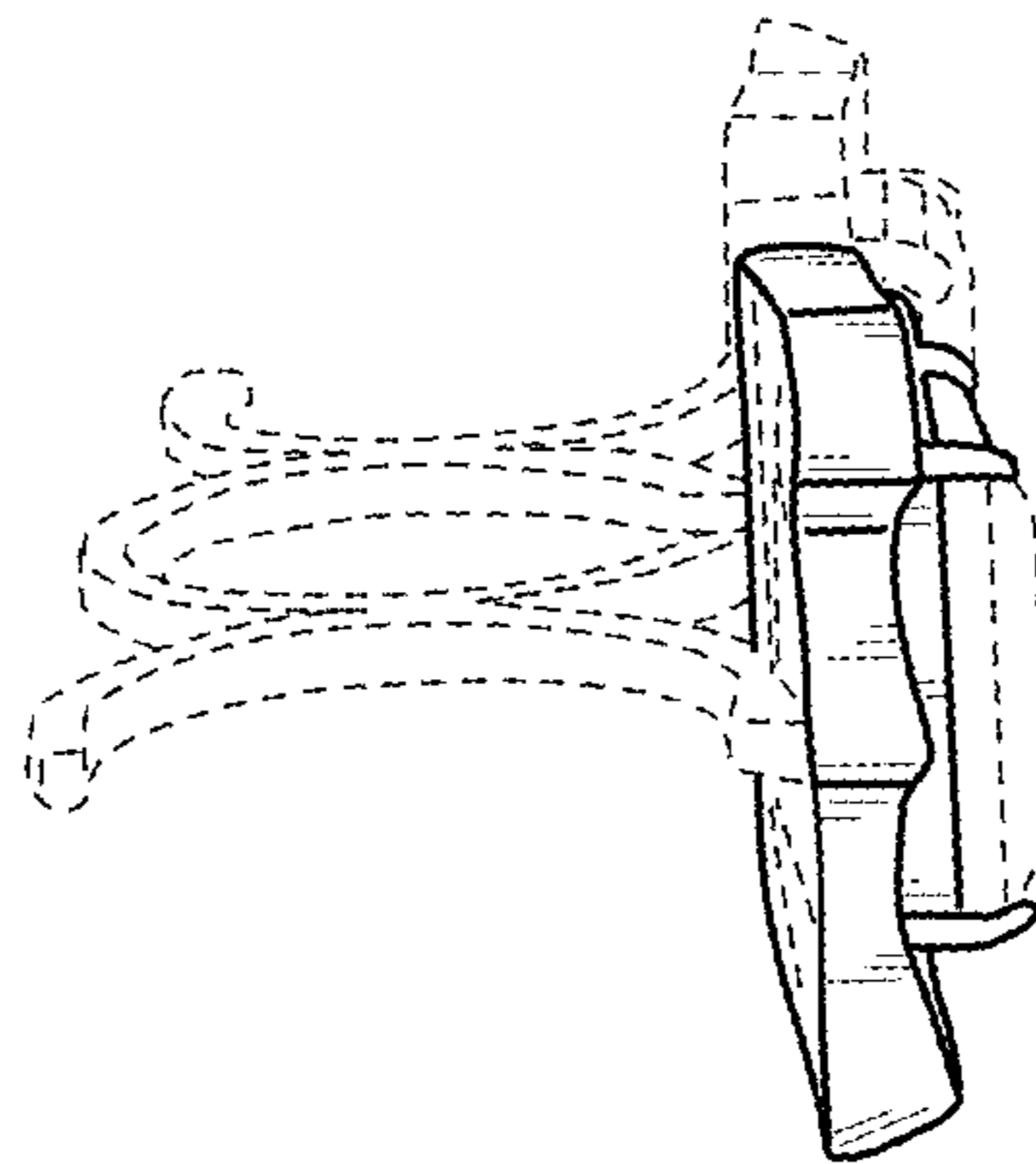


FIG. 14

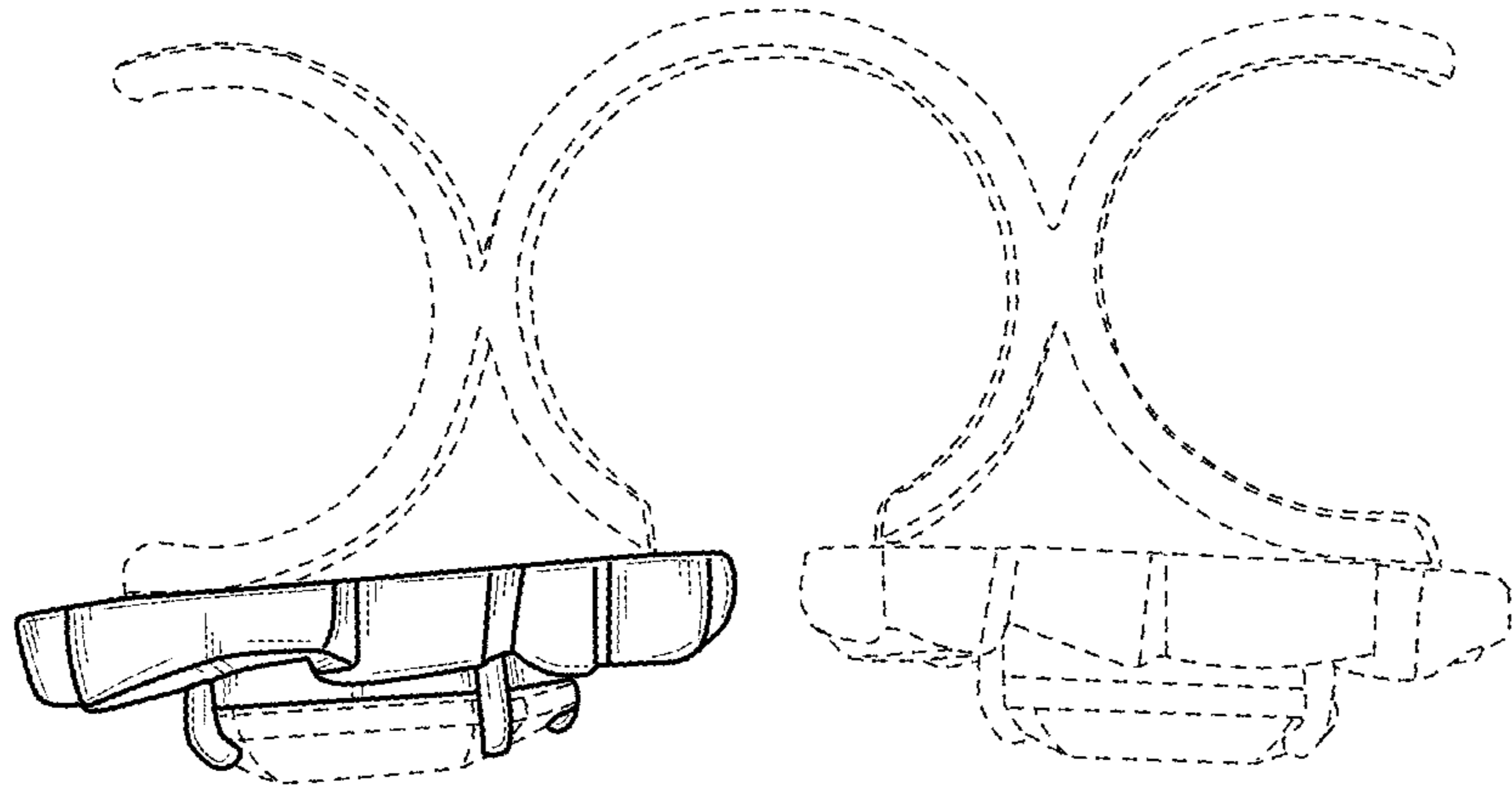


FIG. 15

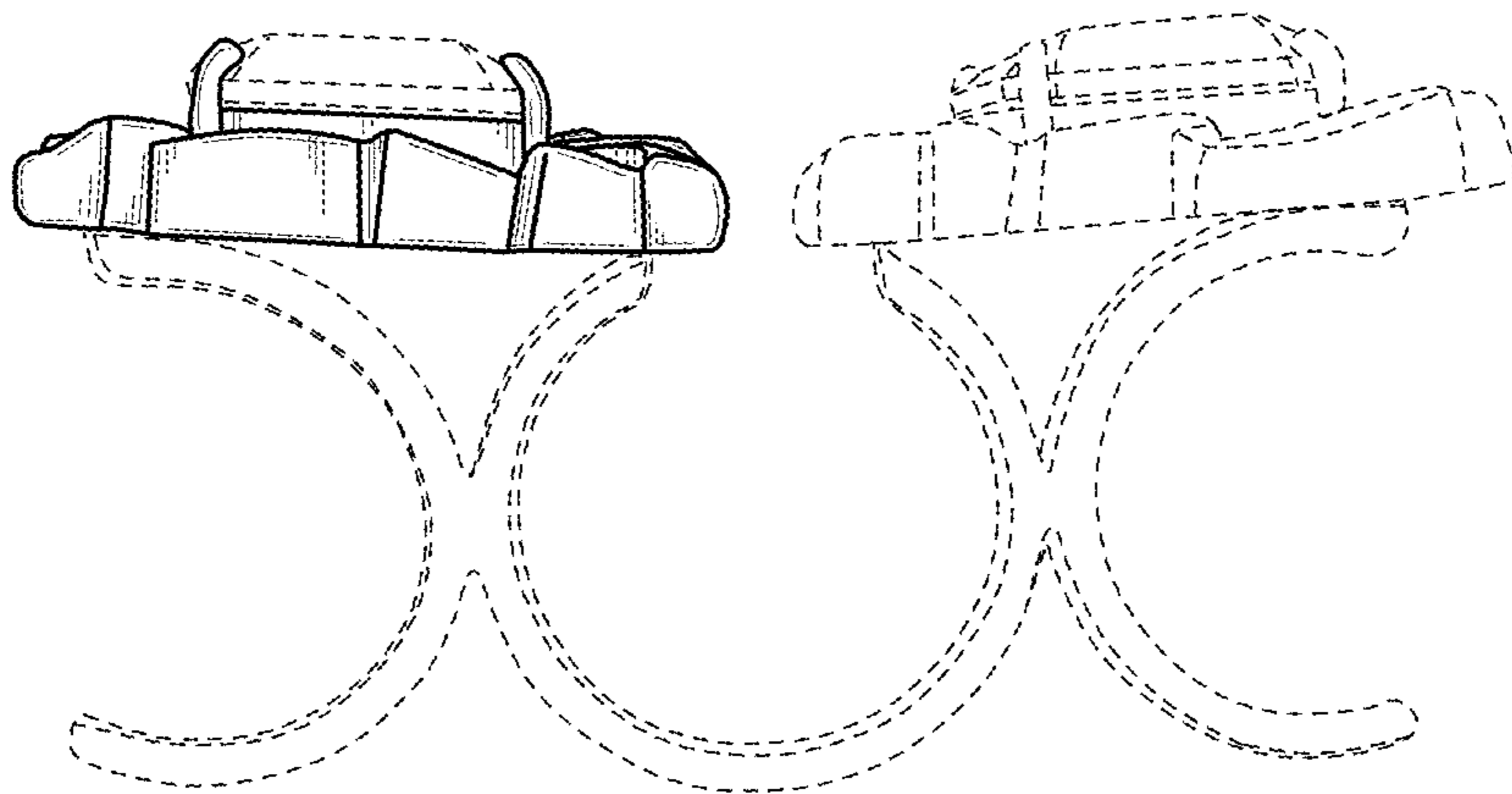


FIG. 16