



US00D748517S

(12) **United States Design Patent**
Fazio et al.

(10) **Patent No.:** **US D748,517 S**
(45) **Date of Patent:** **** Feb. 2, 2016**

(54) **WATCH MOVEMENT**

- (71) Applicant: **SWATCH LTD**, Biel/Benne (CH)
- (72) Inventors: **Antonio Fazio**, Lausanne (CH);
Christophe Cattin, Delémont (CH);
Xavier Tinguely, Fontaines (CH); **Ivan Villar**, Bienne (CH); **Gaël Feusier**,
Coregémont (CH); **Giuseppe Cappadona**, Bienne (CH); **Laurent Kaelin**, Sonvilier (CH); **Alphonse Arellano**, Lausanne (CH)
- (73) Assignee: **SWATCH LTD**, Biel/Bienne (CH)
- (**) Term: **15 Years**
- (21) Appl. No.: **29/535,693**
- (22) Filed: **Aug. 10, 2015**

Related U.S. Application Data

- (62) Division of application No. 29/469,958, filed on Oct. 16, 2013, now Pat. No. Des. 739,269.

(30) **Foreign Application Priority Data**

Apr. 16, 2013 (WO) DM/080666

(51) **LOC (10) Cl.** **10-07**

(52) **U.S. Cl.**
USPC **D10/129**; D10/131

(58) **Field of Classification Search**
USPC D10/30-39, 1-29, 122-132
CPC G04B 5/00; G04B 5/02; G04B 5/04;
G04B 5/10; G04B 5/12; G04B 5/14; G04B 5/18; G04B 5/195; G04B 13/00; G04B 19/00;
G04B 19/247; G04B 21/12; G04B 29/04;
G04B 33/10; G04B 45/02; G04C 3/00;
G04C 3/008; G04C 17/005

See application file for complete search history.

(56) **References Cited**

U.S. PATENT DOCUMENTS

- 2,872,775 A * 2/1959 Georges G04B 33/10
368/220
- 3,306,025 A * 2/1967 Kocher G04B 5/195
368/148

- 3,846,973 A * 11/1974 Kurita G04B 5/18
368/148
- 3,901,019 A * 8/1975 Kocher G04B 13/00
368/148
- D250,179 S * 11/1978 Vallandigham D10/129
- 4,201,040 A * 5/1980 Nakayama G04C 3/008
368/204
- 4,247,926 A * 1/1981 Bachmann G04B 19/247
368/236
- 4,681,464 A * 7/1987 Ray G04F 8/00
368/157
- D311,879 S * 11/1990 Tanaka D10/129
- D317,729 S * 6/1991 Tanaka D10/129
- D319,602 S * 9/1991 Tanaka D10/129
- 5,119,348 A * 6/1992 Mathys G04B 5/02
368/148
- 6,244,742 B1 * 6/2001 Yamada G04C 3/008
368/148
- D611,866 S * 3/2010 Dias D10/129
- 7,896,542 B2 * 3/2011 Born G04B 5/12
368/148
- D739,269 S * 9/2015 Fazio D10/129
- D739,286 S * 9/2015 Fazio D10/129
- D739,287 S * 9/2015 Fazio D10/129
- D739,288 S * 9/2015 Fazio D10/129
- 2008/0074952 A1 * 3/2008 Racine G04B 19/247
368/38
- 2011/0149697 A1 * 6/2011 Born G04B 21/12
368/208

* cited by examiner

Primary Examiner — Martie K Holtje

(74) *Attorney, Agent, or Firm* — Donald J. Ranft; Kristen A. Mogavero; Collen IP

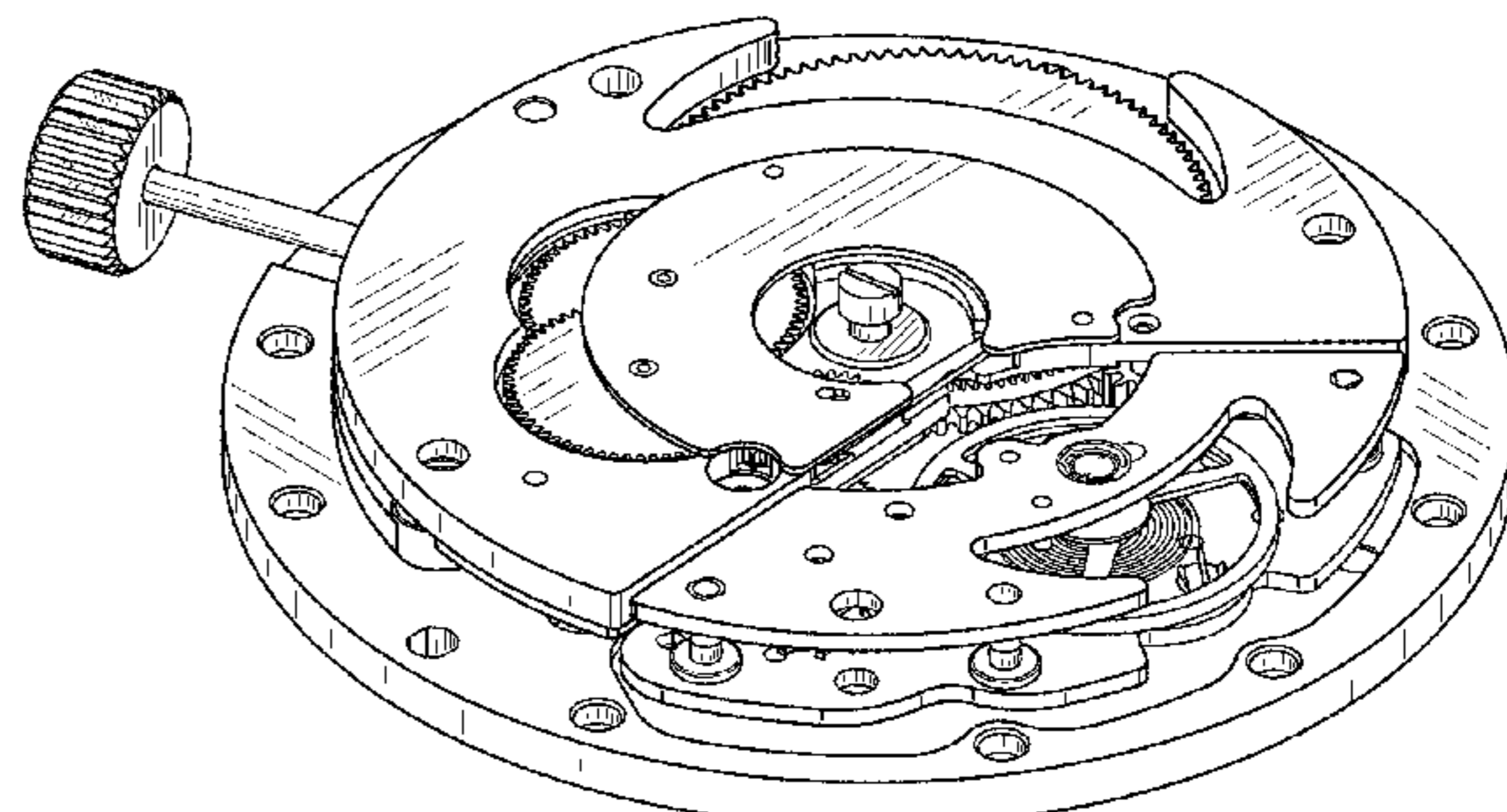
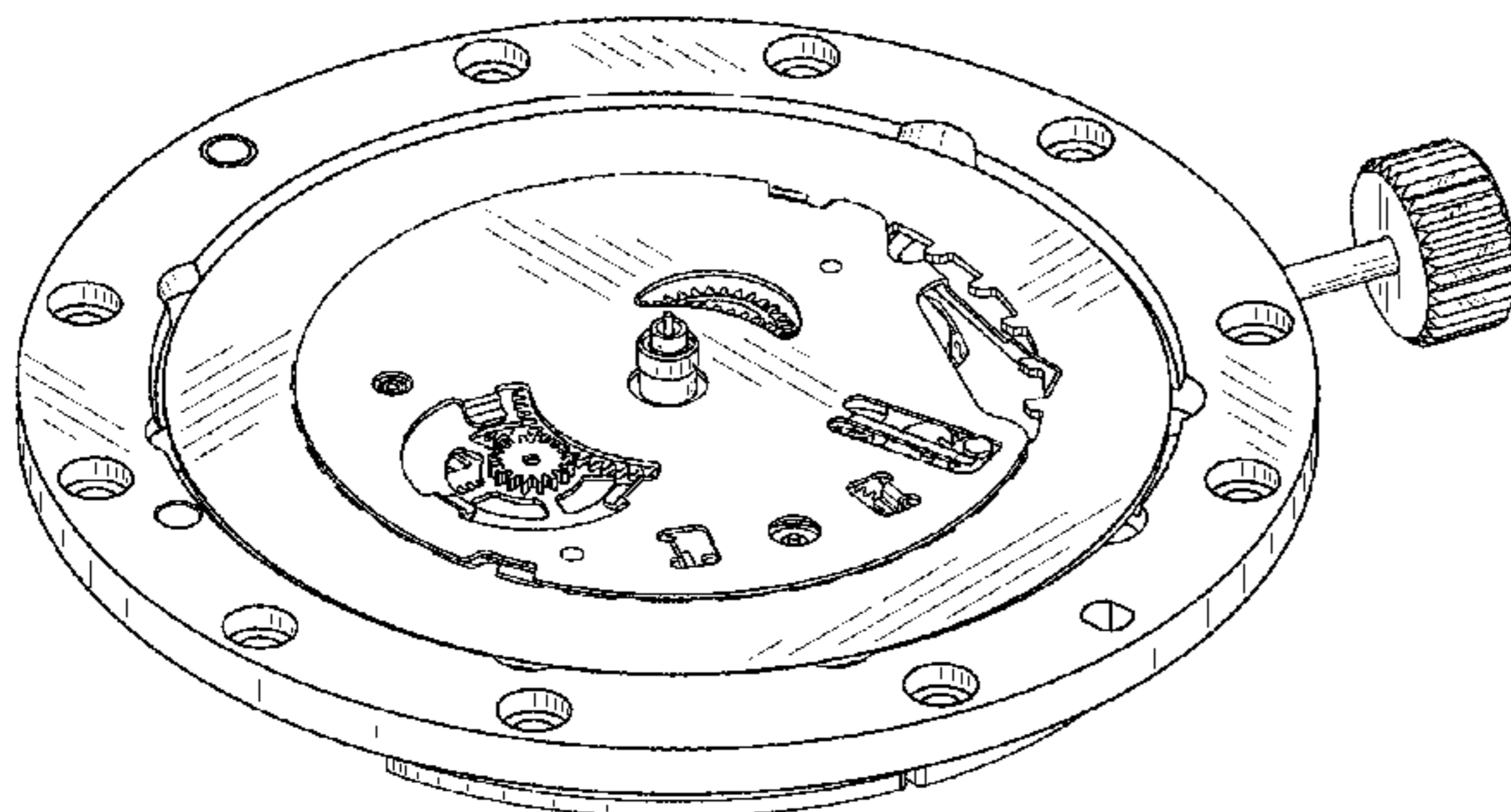
(57) **CLAIM**

The ornamental design for a watch movement, as shown.

DESCRIPTION

FIG. 1 is a front perspective view of a watch movement showing our new design;
 FIG. 2 is a rear perspective view thereof;
 FIG. 3 is a front view thereof;
 FIG. 4 is a rear view thereof;
 FIG. 5 is a left side view thereof;
 FIG. 6 is a right side view thereof;
 FIG. 7 is a top view thereof; and,
 FIG. 8 is a bottom view thereof.

1 Claim, 3 Drawing Sheets



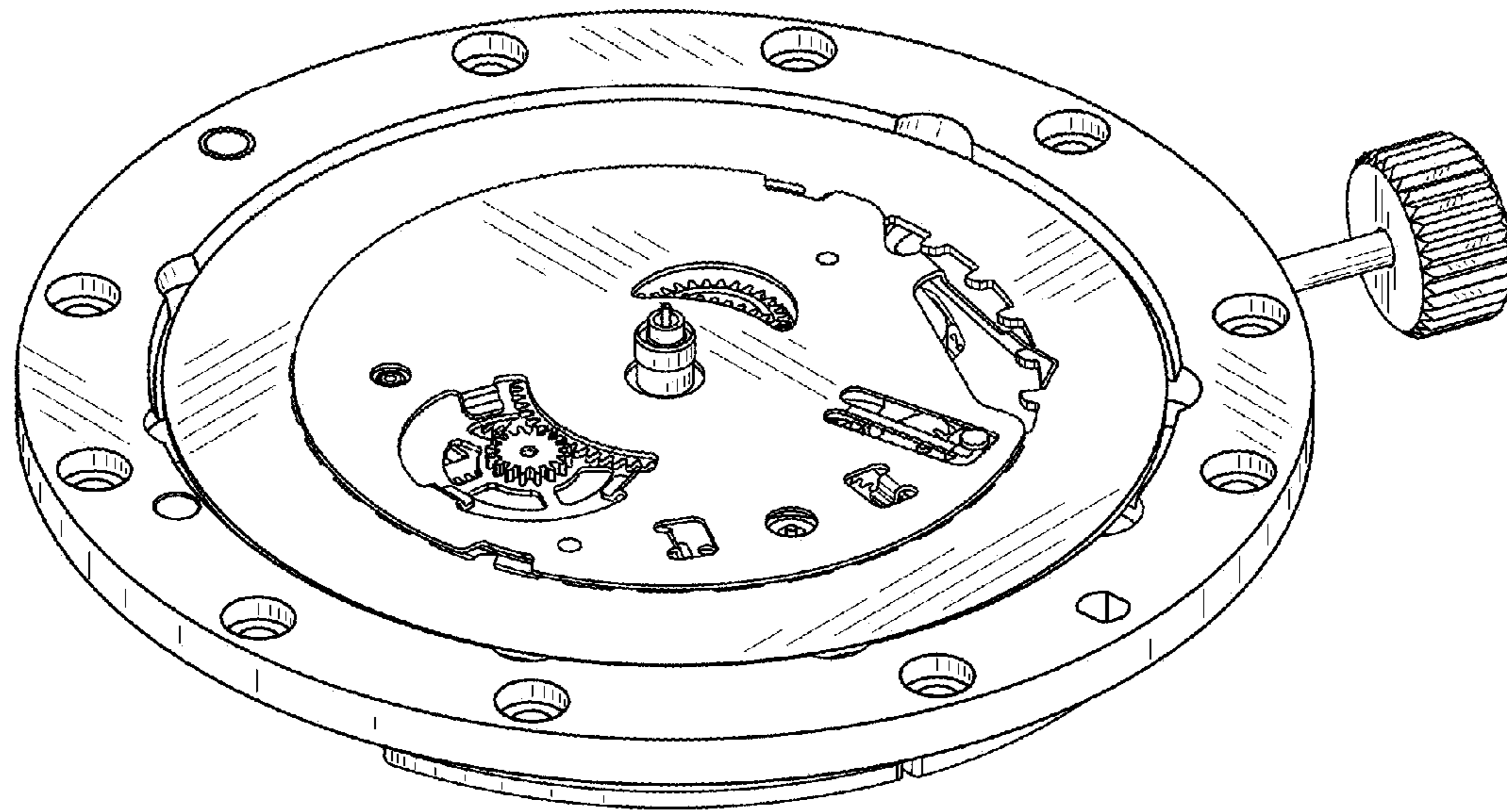


FIG. 1

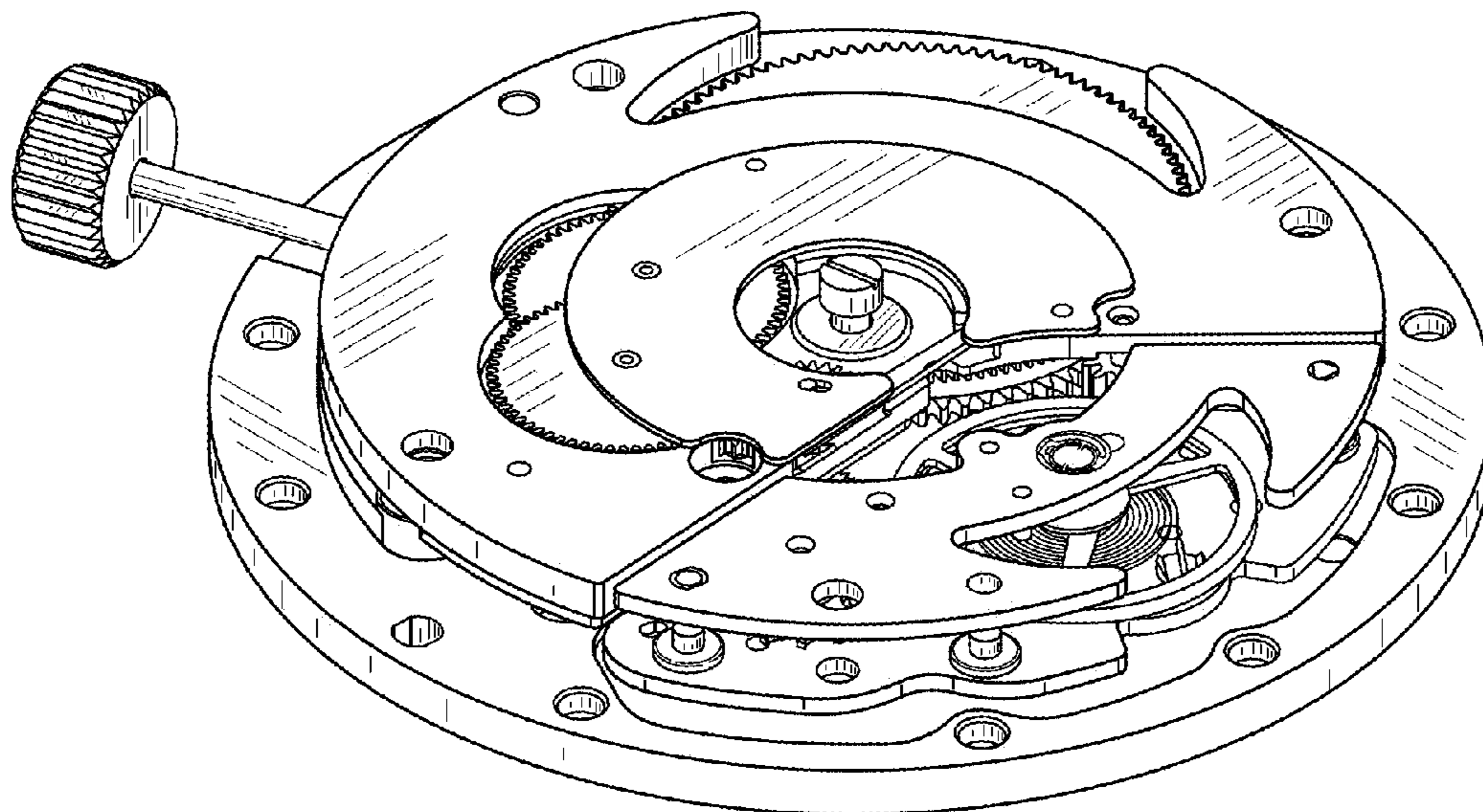


FIG. 2

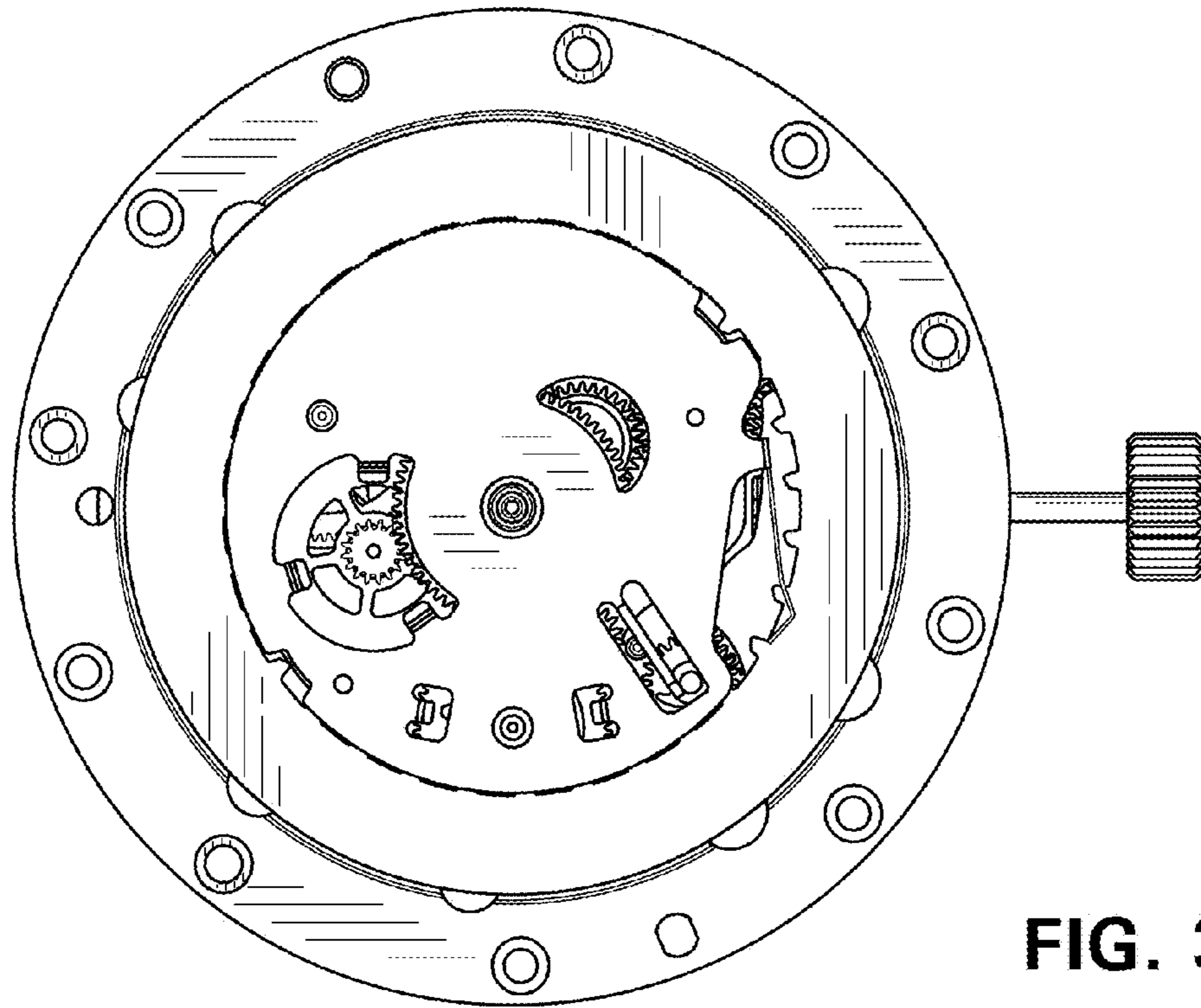


FIG. 3

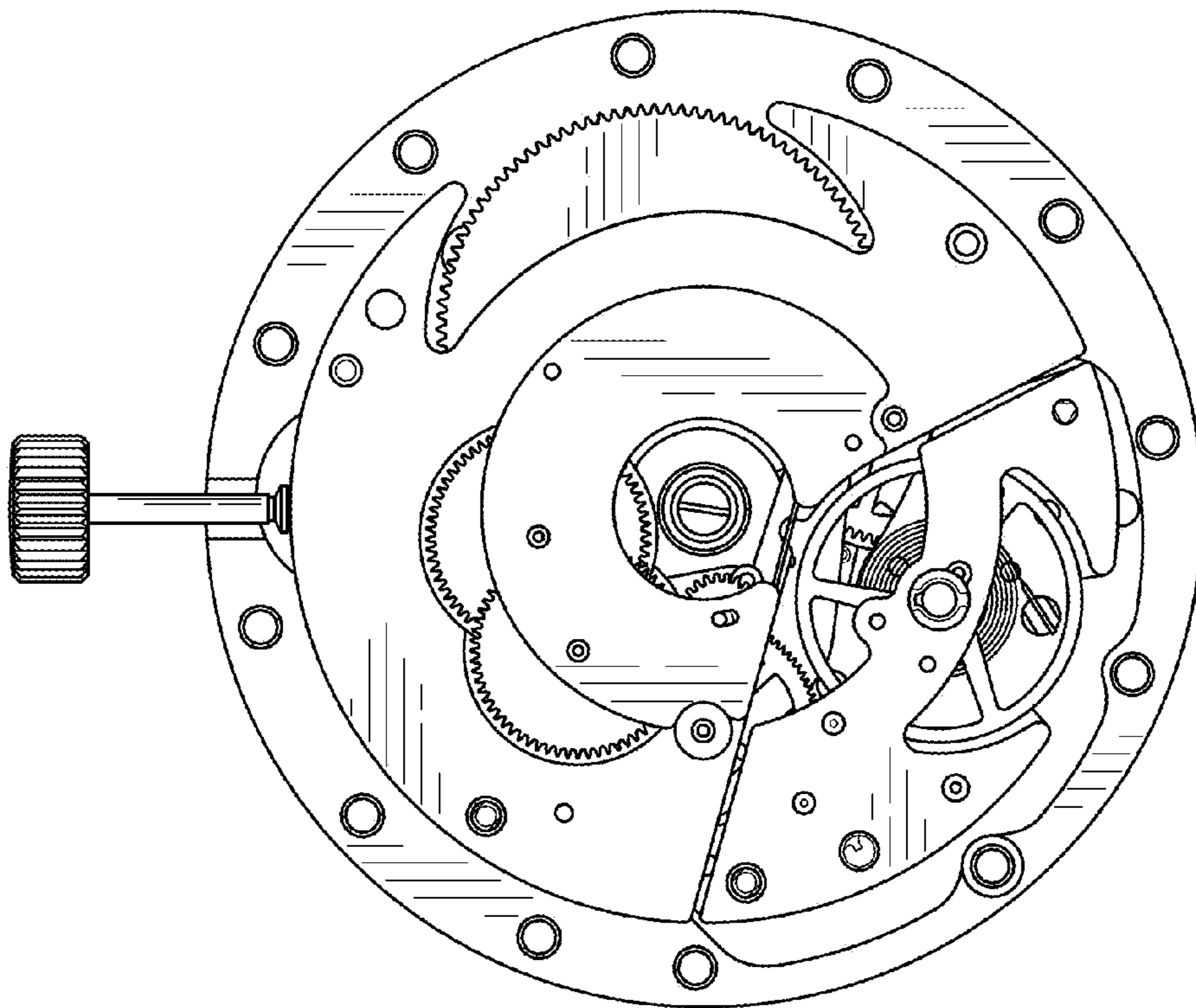


FIG. 4

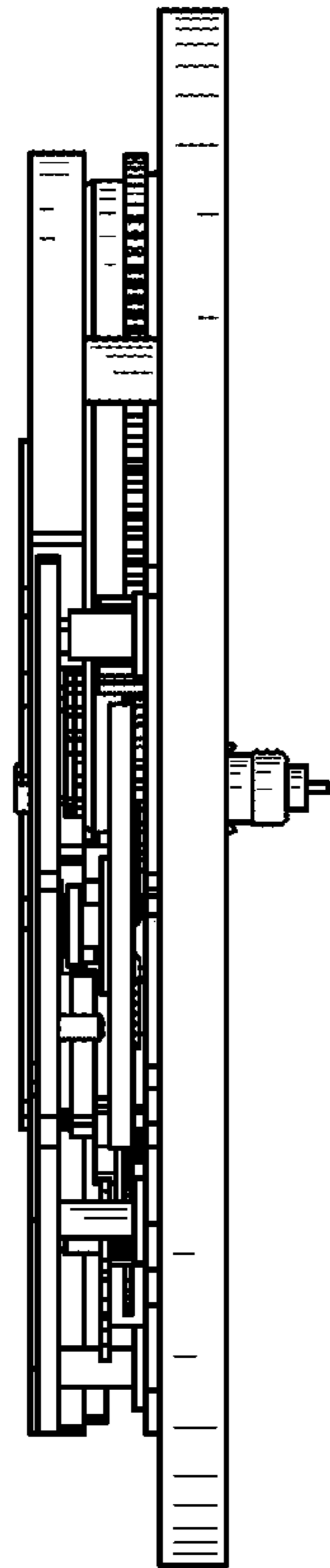


FIG. 5

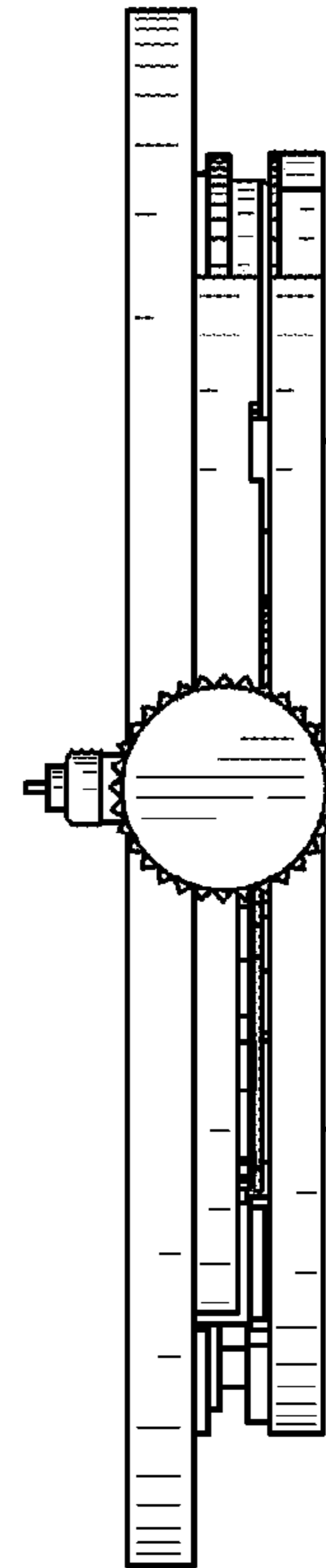


FIG. 6

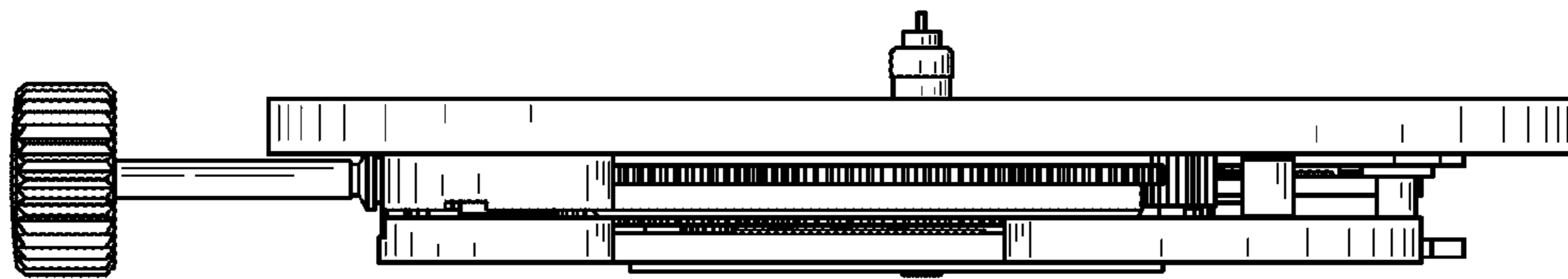


FIG. 7

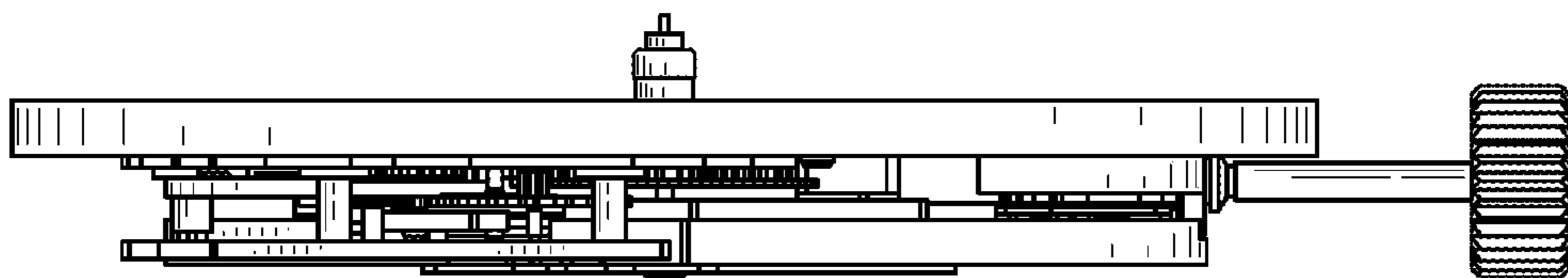


FIG. 8