



US00D748516S

(12) **United States Design Patent**
Conwell

(10) **Patent No.:** **US D748,516 S**

(45) **Date of Patent:** **** Feb. 2, 2016**

- (54) **WATCH FACE**
 - (71) Applicant: **Brian Conwell**, Tiverton, RI (US)
 - (72) Inventor: **Brian Conwell**, Tiverton, RI (US)
 - (73) Assignee: **Albedeaux Watch Co.**, Tiverton, RI (US)
 - (**) Term: **14 Years**
 - (21) Appl. No.: **29/513,085**
 - (22) Filed: **Dec. 26, 2014**
 - (51) **LOC (10) Cl.** **10-07**
 - (52) **U.S. Cl.**
USPC **D10/128**; D10/126
 - (58) **Field of Classification Search**
USPC D10/30-39, 1-29, 122-132
CPC G04B 19/00; G04B 19/06; G04B 19/08;
G04B 19/10; G04B 19/12; G04B 19/30;
G04B 47/042
- See application file for complete search history.

4,711,586	A *	12/1987	Kizawa	G04B 19/06
					368/228
5,555,535	A *	9/1996	Davis	G04B 19/12
					368/232
D406,782	S *	3/1999	Dumas	D10/126
D439,540	S *	3/2001	Strasser	D10/125
D502,885	S *	3/2005	Nataf	D10/125
6,894,951	B1 *	5/2005	Brandt	G04F 7/08
					368/110
D518,743	S *	4/2006	Sugiura	D10/32
D531,536	S *	11/2006	Lovegrove	D10/126
D597,880	S *	8/2009	Behling	D10/126
D664,464	S *	7/2012	Muller	D10/126
D667,320	S	9/2012	Conwell		
2011/0063953	A1 *	3/2011	Hasegawa	G04C 3/146
					368/80

* cited by examiner

Primary Examiner — Martie K Holtje

(74) *Attorney, Agent, or Firm* — Salter & Michaelson

(57) **CLAIM**

The ornamental design for a watch face, as shown and described.

DESCRIPTION

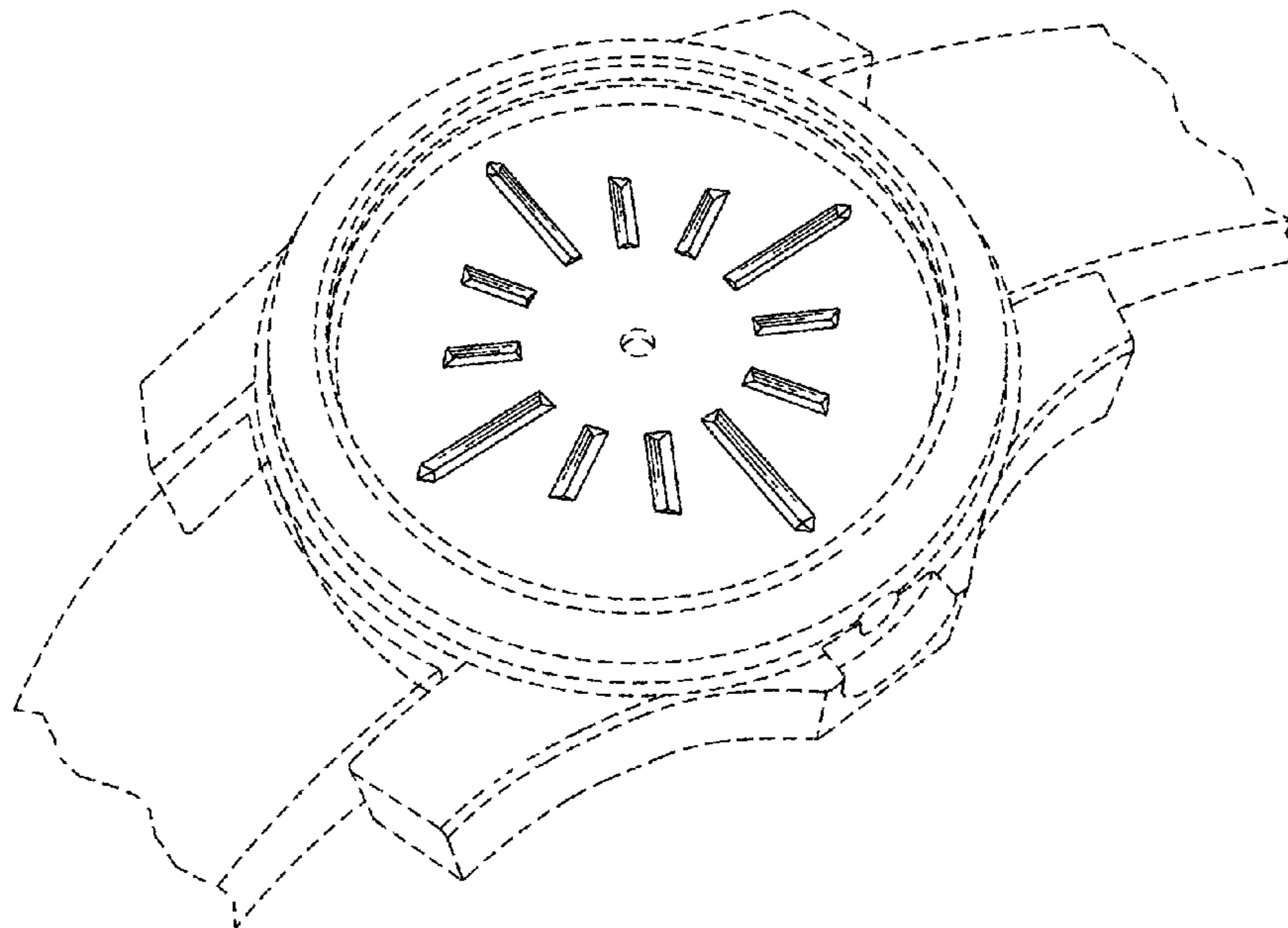
FIG. 1 is a perspective view of a watch face;
 FIG. 2 is a plan view thereof; and,
 FIG. 3 is a cross-sectional view thereof, taken in the direction of arrows 3-3 in FIG. 2.

The broken lines shown in the drawing views are included for the purpose of showing environmental structure that forms no part of the claimed design.

1 Claim, 3 Drawing Sheets

(56) **References Cited**
 U.S. PATENT DOCUMENTS

D129,370	S *	9/1941	Dupertuis	D10/1
3,146,578	A *	9/1964	Etienne	G04B 19/10
					116/334
3,786,627	A *	1/1974	Takagi	G04B 19/12
					368/232
4,583,866	A *	4/1986	Kasai	G04B 19/12
					368/232



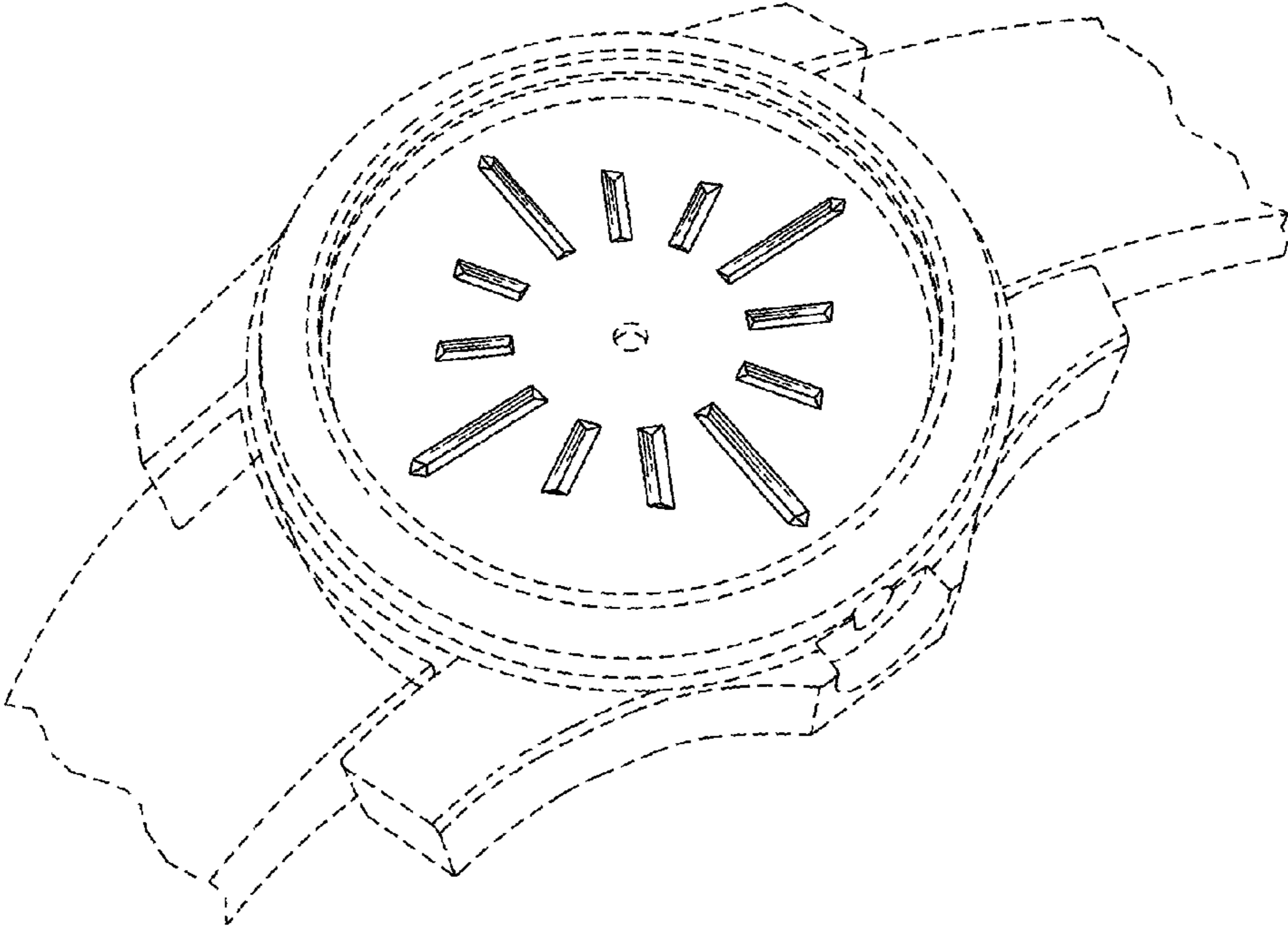


FIG. 1

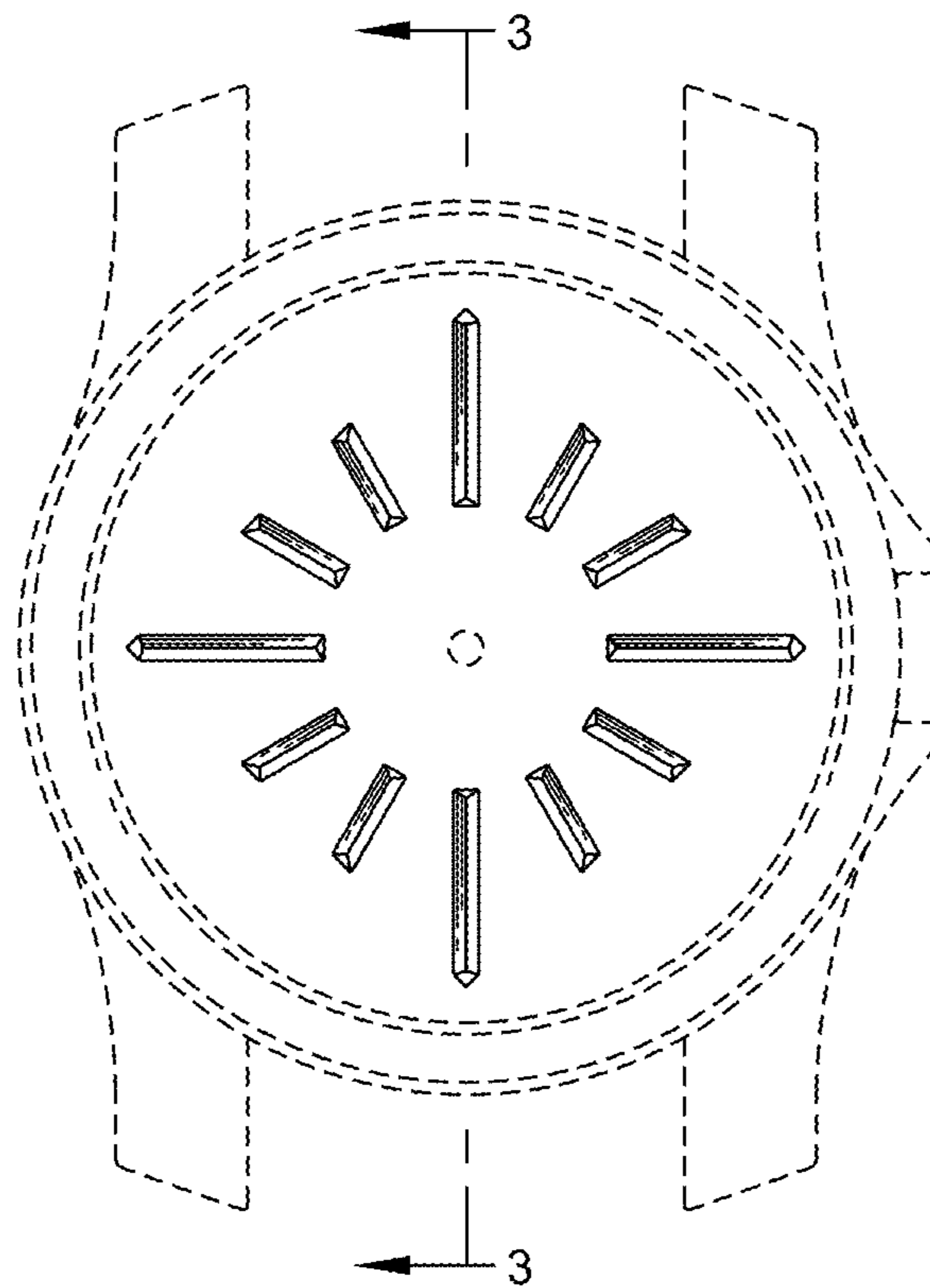


FIG. 2

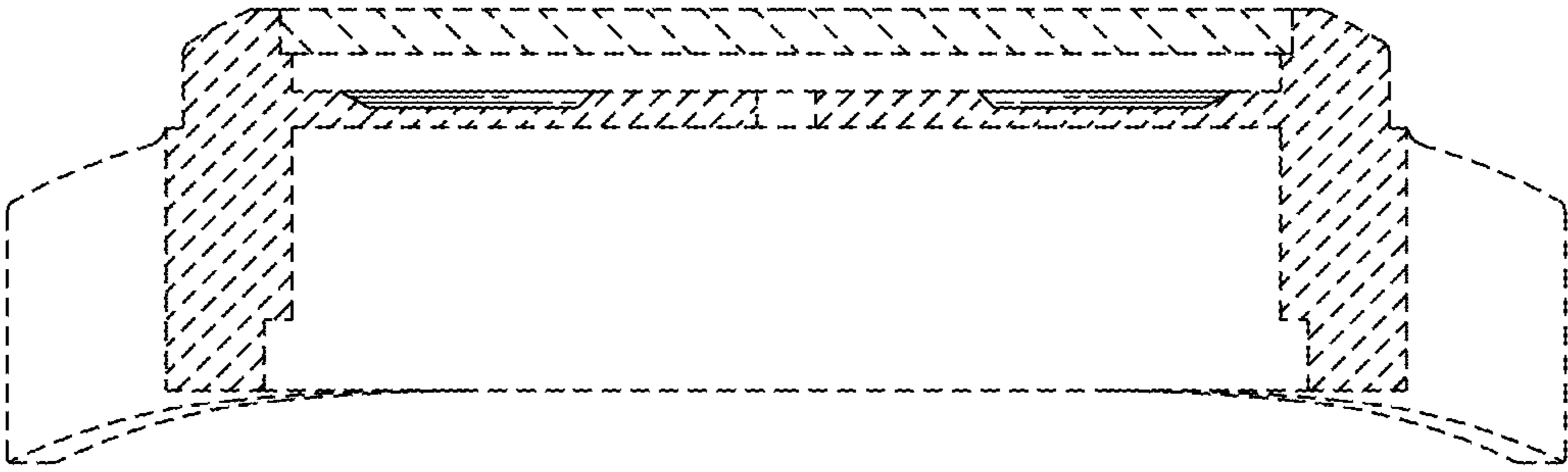


FIG. 3