



US00D748514S

(12) **United States Design Patent**
Daniel

(10) **Patent No.:** **US D748,514 S**
(45) **Date of Patent:** **** Feb. 2, 2016**

- (54) **PORTABLE LOCATION DEVICE**
- (71) Applicant: **Isaac S. Daniel**, Miramar, FL (US)
- (72) Inventor: **Isaac S. Daniel**, Miramar, FL (US)
- (**) Term: **14 Years**
- (21) Appl. No.: **29/467,448**
- (22) Filed: **Sep. 19, 2013**
- (51) **LOC (10) Cl.** **10-05**
- (52) **U.S. Cl.**
USPC **D10/104.2**
- (58) **Field of Classification Search**
USPC D10/104.1, 104.2, 32, 70; D11/3, 4
CPC G08B 25/00
See application file for complete search history.

- (56) **References Cited**
U.S. PATENT DOCUMENTS
D203,528 S * 1/1966 Kay 2/123
6,278,370 B1 8/2001 Underwood
D454,808 S * 3/2002 Hill D11/4
D487,708 S * 3/2004 Strle D11/3

D514,467 S * 2/2006 Della Valle D11/4
2005/0199659 A1 * 9/2005 Teed A41D 20/00
224/181
2014/0323079 A1 * 10/2014 Paolini G08B 25/016
455/404.2

* cited by examiner

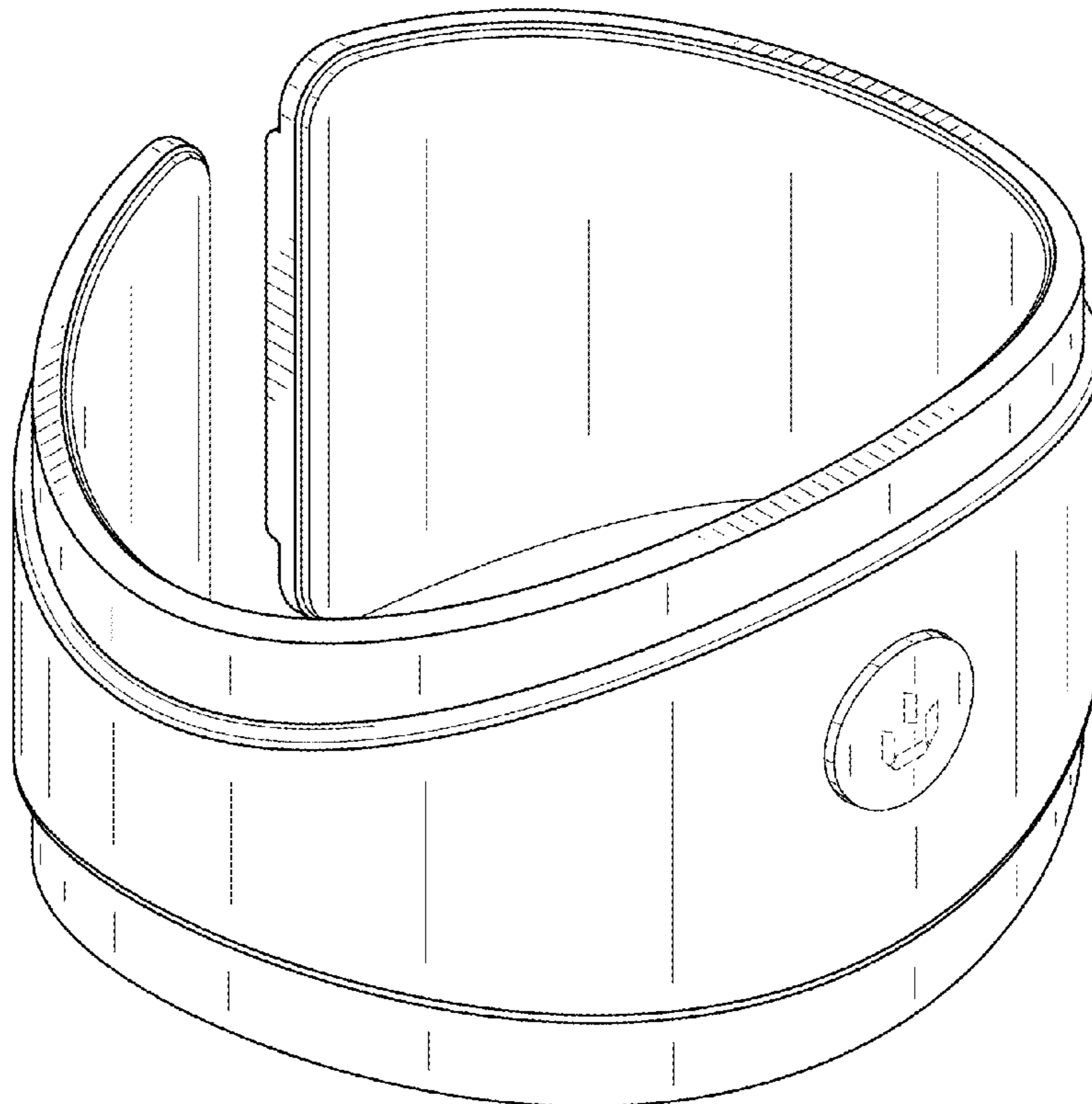
Primary Examiner — George D Kirschbaum
(74) *Attorney, Agent, or Firm* — Carol N. Green Kaul, Esq.

(57) **CLAIM**
The ornamental design for a portable location device, as shown and described.

DESCRIPTION

FIG. 1 is a front perspective view of the invention.
FIG. 2 is a rear perspective view of the invention.
FIG. 3 is a front view of the invention.
FIG. 4 is a rear view the invention.
FIG. 5 is a right side view of the invention; and,
FIG. 6 is a top view of the invention.
The broken line showing of a logo is included for the purpose of illustrating portions of the “article” and forms no part of the claimed design.

1 Claim, 4 Drawing Sheets



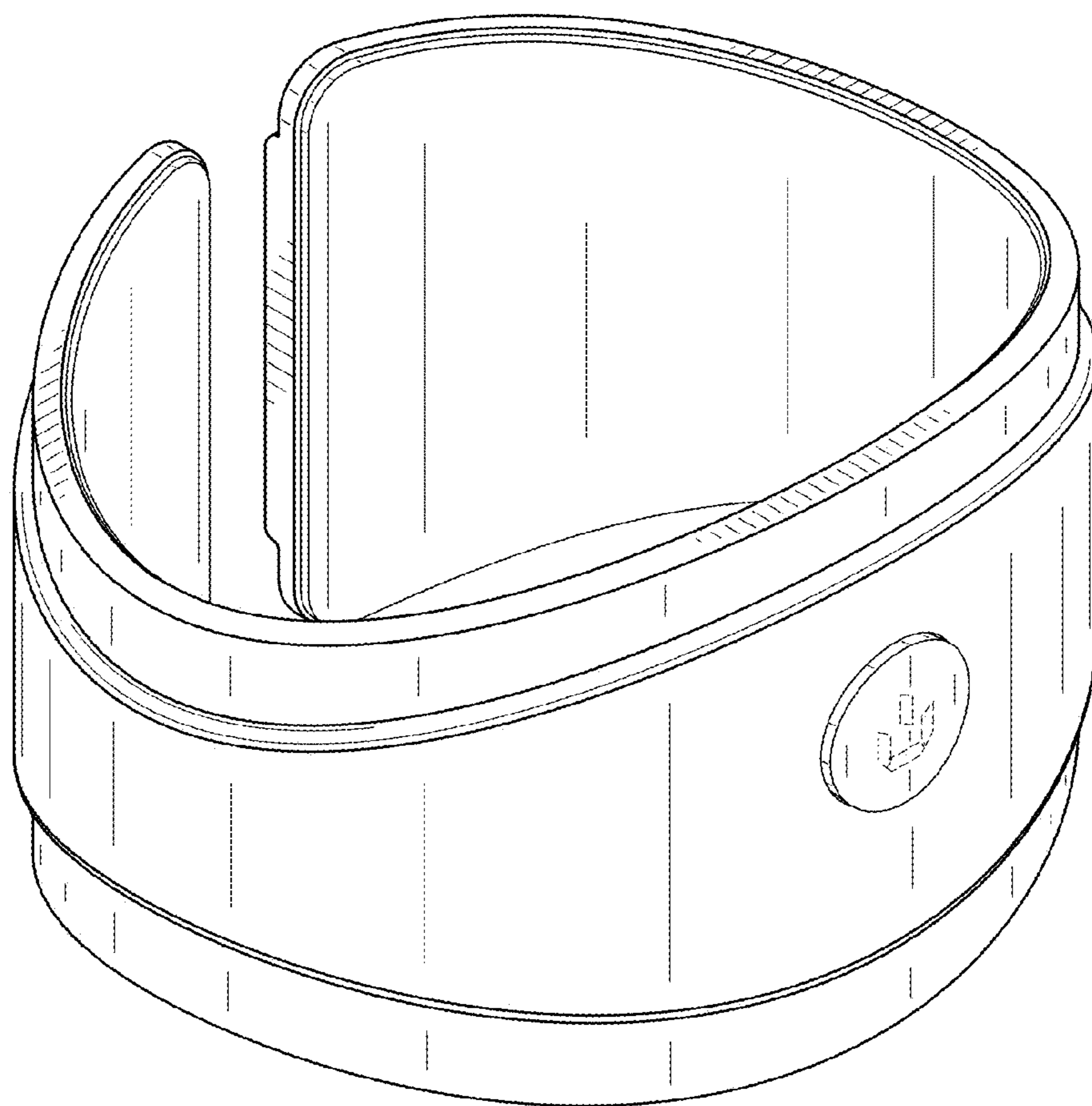


FIG. 1

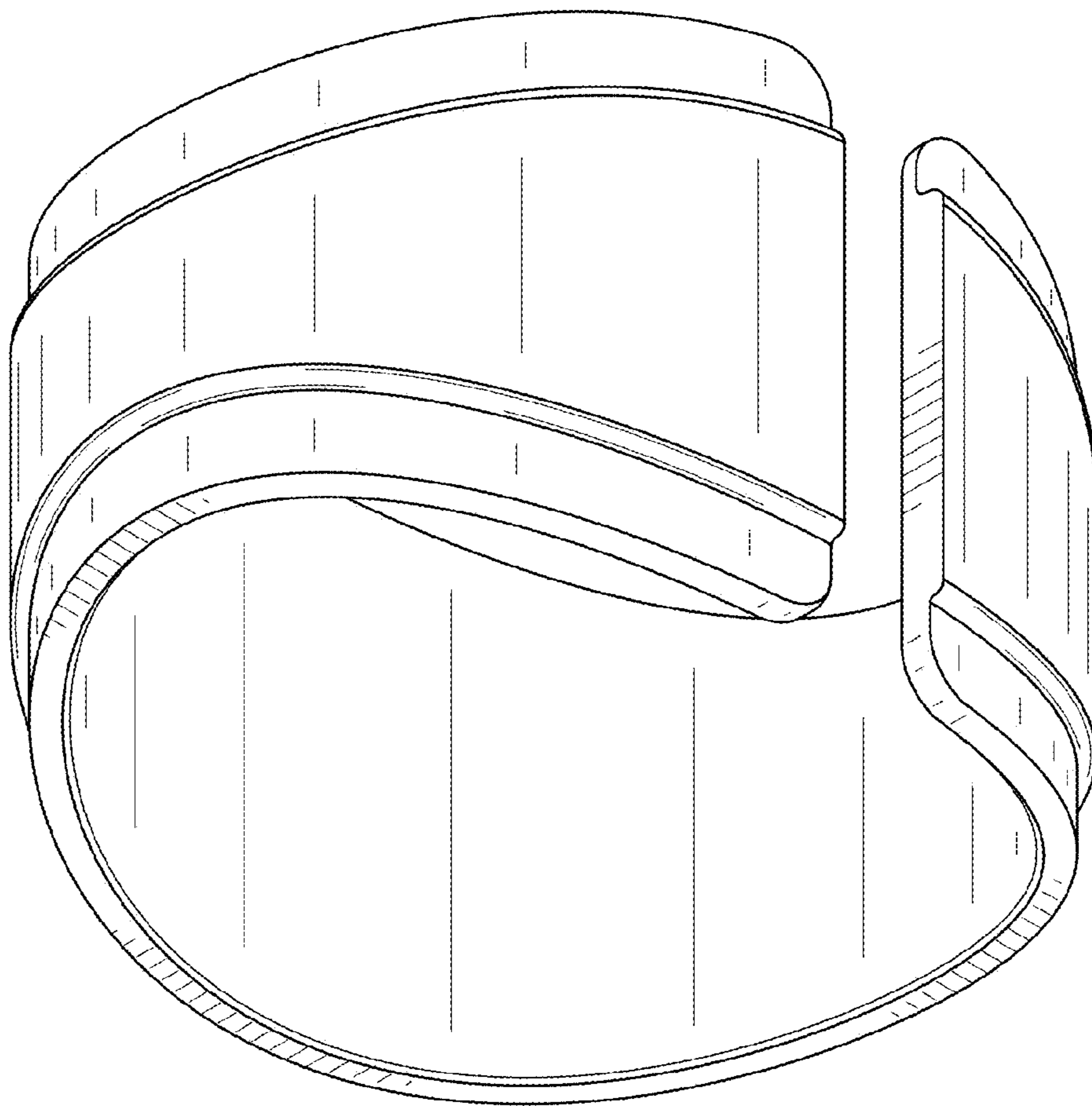


FIG. 2

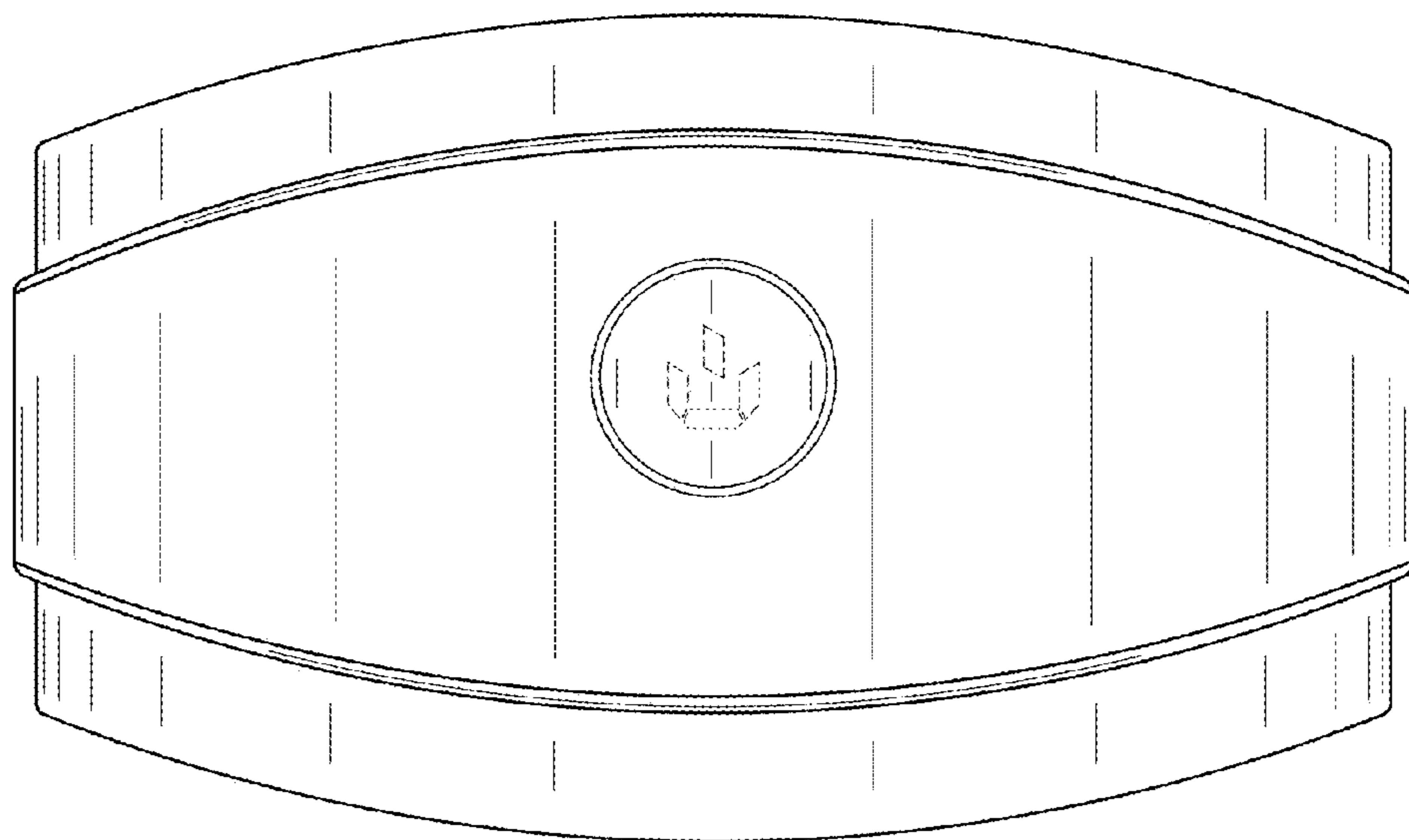


FIG. 3

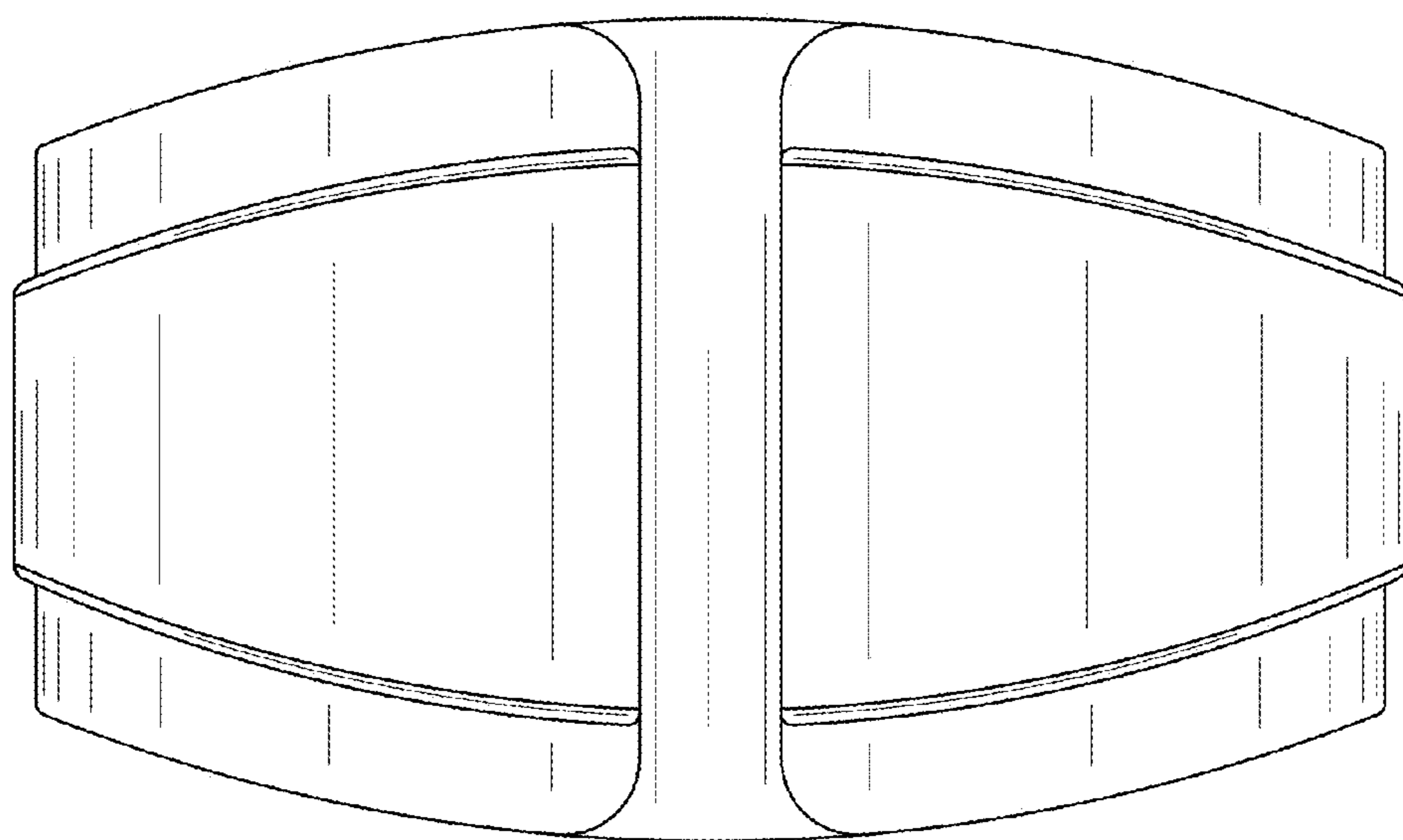


FIG. 4

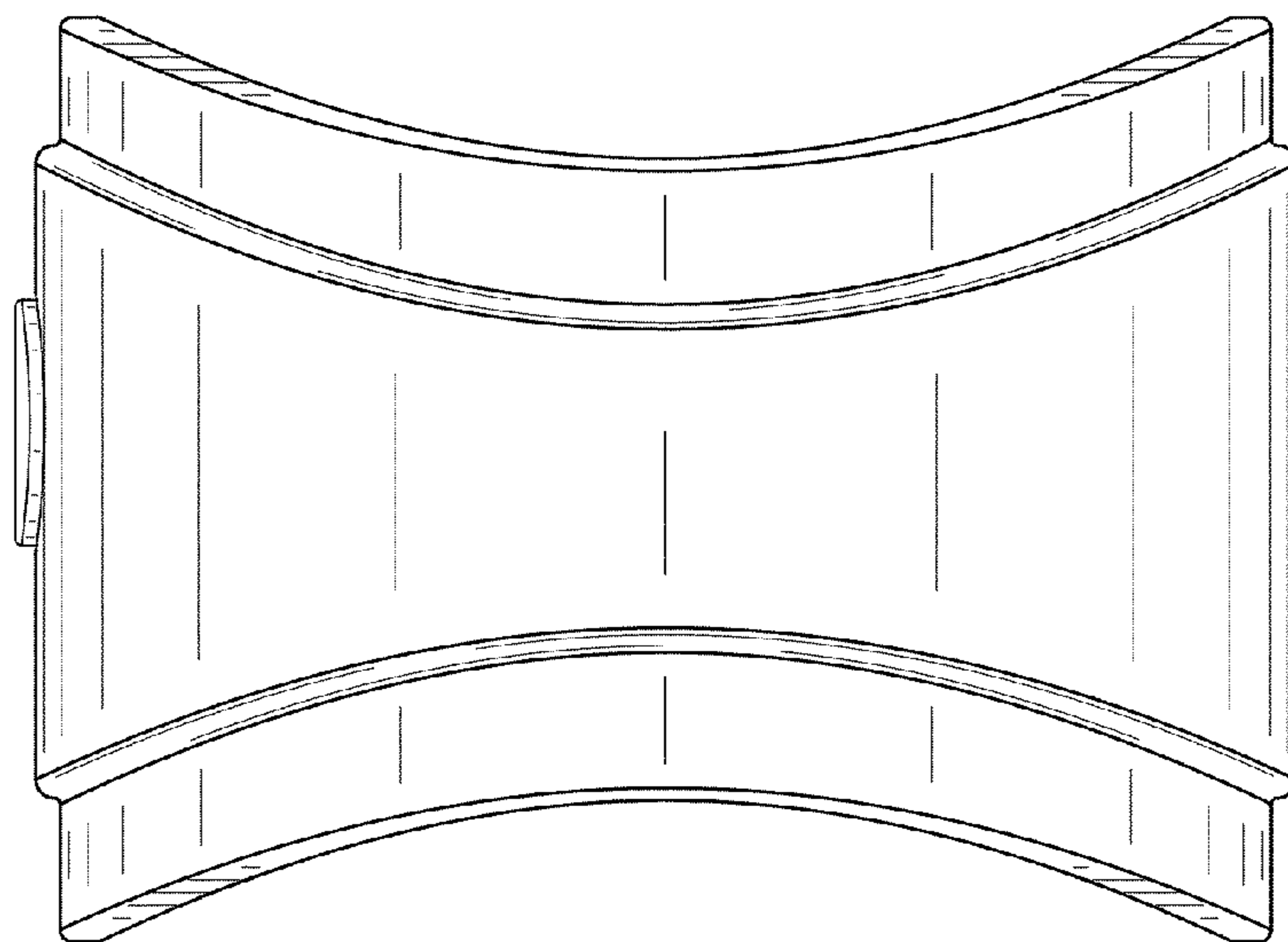


FIG. 5

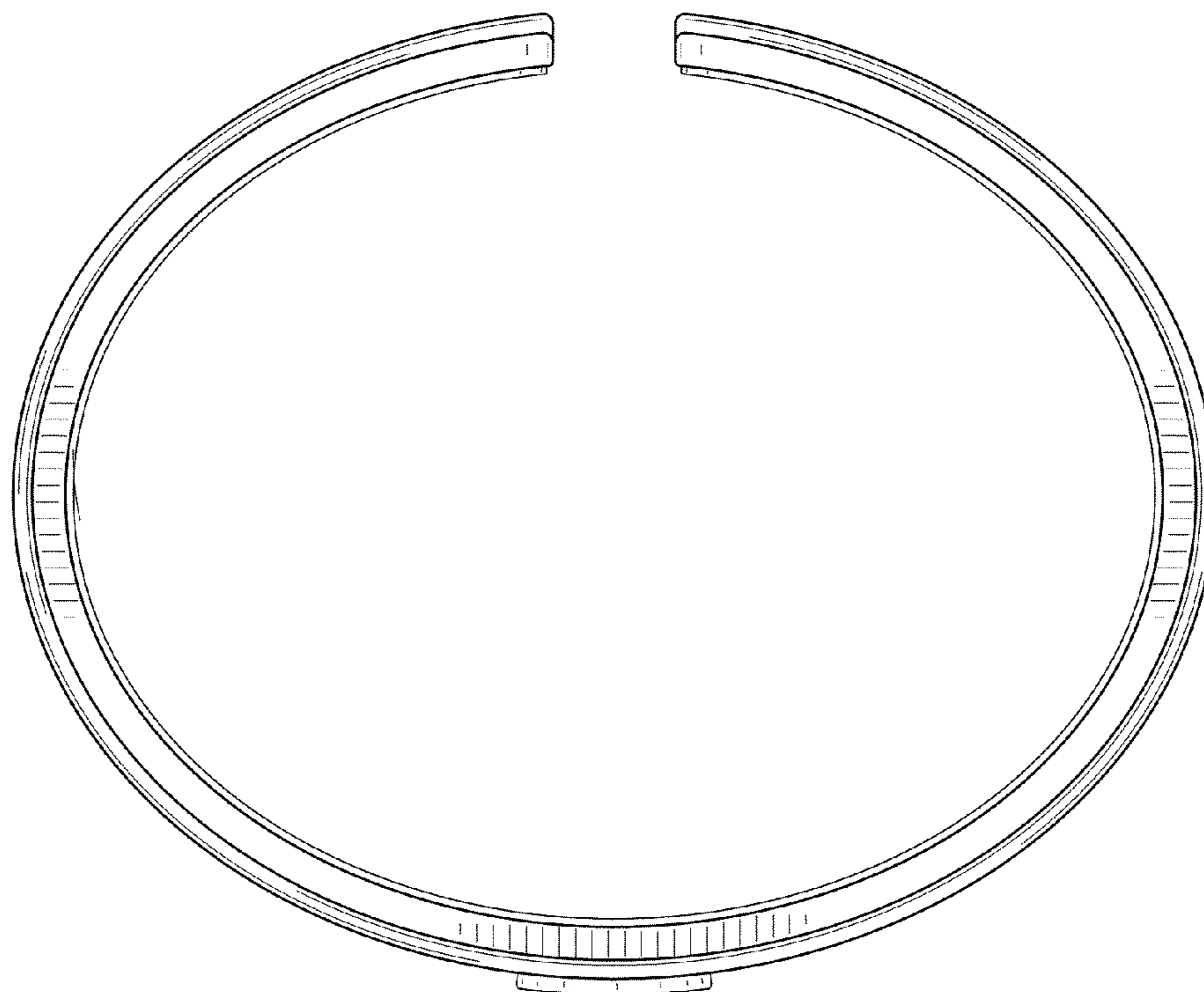


FIG. 6