



US00D748513S

(12) **United States Design Patent**  
**Held**

(10) **Patent No.:** **US D748,513 S**  
(45) **Date of Patent:** **\*\* Feb. 2, 2016**

(54) **ACCESSORY FOR A WEIGHING DEVICE**  
(71) Applicant: **Mettler-Toledo AG**, Greifensee (CH)  
(72) Inventor: **Fred Held**, Hamburg (DE)  
(73) Assignee: **Mettler-Toledo AG**, Greifensee (CH)  
(\*\*) Term: **14 Years**  
(21) Appl. No.: **29/513,697**  
(22) Filed: **Jan. 5, 2015**  
(30) **Foreign Application Priority Data**

Jul. 11, 2014 (EM) ..... 002500900

(51) **LOC (10) Cl.** ..... **10-04**  
(52) **U.S. Cl.**  
USPC ..... **D10/94**

(58) **Field of Classification Search**  
USPC ..... D10/91, 94  
CPC ..... G01G 21/14; G01G 21/16; G01G 21/161;  
G01G 21/162; G01G 21/163; G01G 21/165;  
G01G 21/166; G01G 21/167; G01G 21/168;  
G01G 21/18; G01G 21/182; G01G 21/184;  
G01G 21/186; G01G 21/188; G01G 21/20;  
G01G 21/22; G01G 21/23  
See application file for complete search history.

(56) **References Cited**  
U.S. PATENT DOCUMENTS

4,120,371 A \* 10/1978 Zohn ..... G01G 21/22  
177/262

D253,995 S \* 1/1980 Zohn ..... D10/94  
5,883,336 A \* 3/1999 Jones ..... G01G 15/00  
141/83  
D522,392 S \* 6/2006 Tse ..... D10/91  
D595,171 S \* 6/2009 Robinson ..... D10/91  
D674,298 S \* 1/2013 Hillel ..... D10/94

\* cited by examiner

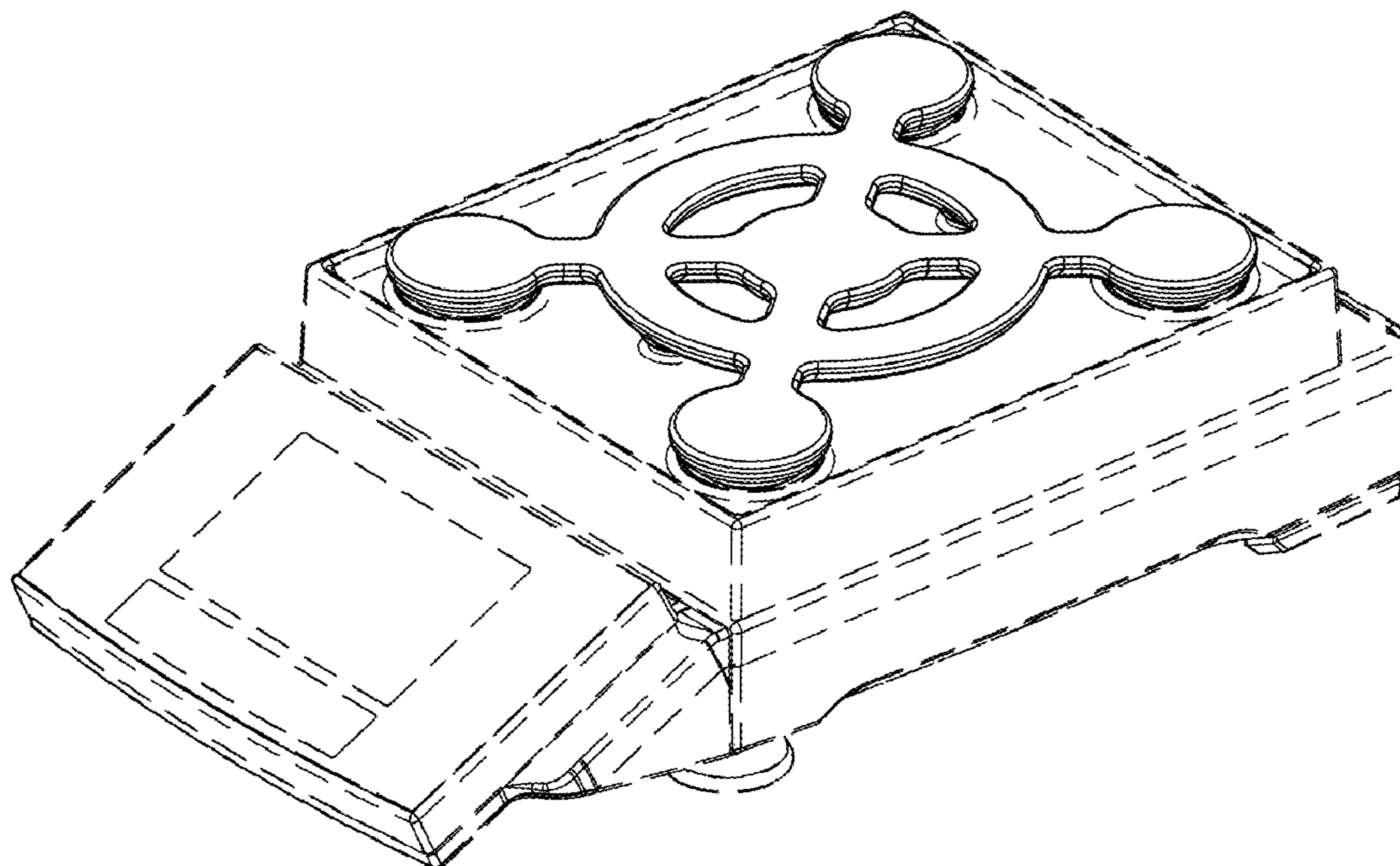
*Primary Examiner* — Antoine D Davis  
(74) *Attorney, Agent, or Firm* — Standley Law Group LLP

(57) **CLAIM**  
The ornamental design for an accessory for a weighing device, as shown.

**DESCRIPTION**

FIG. 1 is a front perspective view of the accessory for a weighing device, depicted in operative position on the weighing device, which is shown in broken lining;  
FIG. 2 is a front perspective view of the FIG. 1 device in isolation;  
FIG. 3 is a top plan view of the FIG. 1 device;  
FIG. 4 is a bottom plan view of the FIG. 1 device;  
FIG. 5 is a front elevation view of the FIG. 1 device; the rear elevation view being identical thereto; and,  
FIG. 6 is a left side elevation view, the right side elevation view being identical thereto.

**1 Claim, 6 Drawing Sheets**



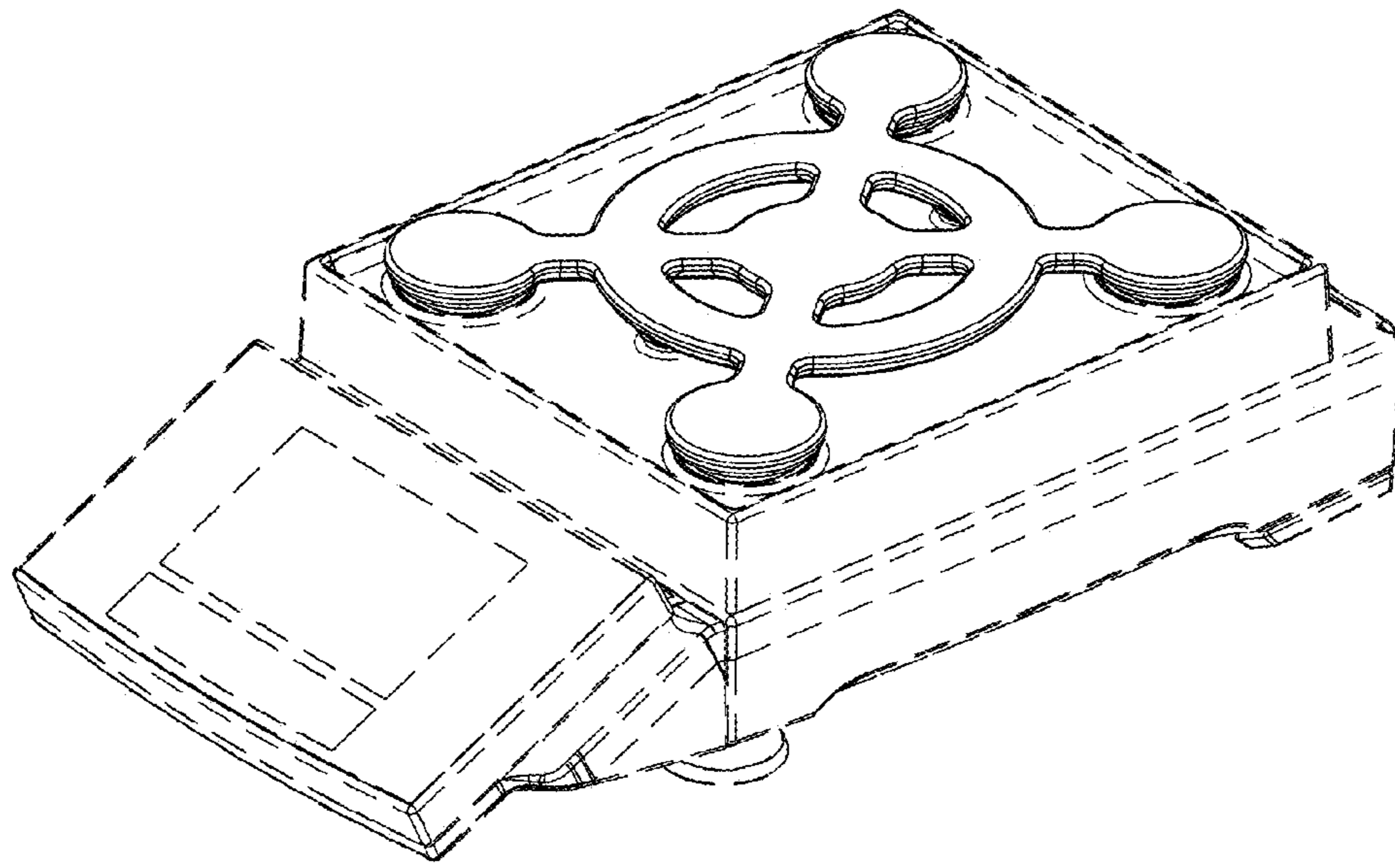


FIG. 1

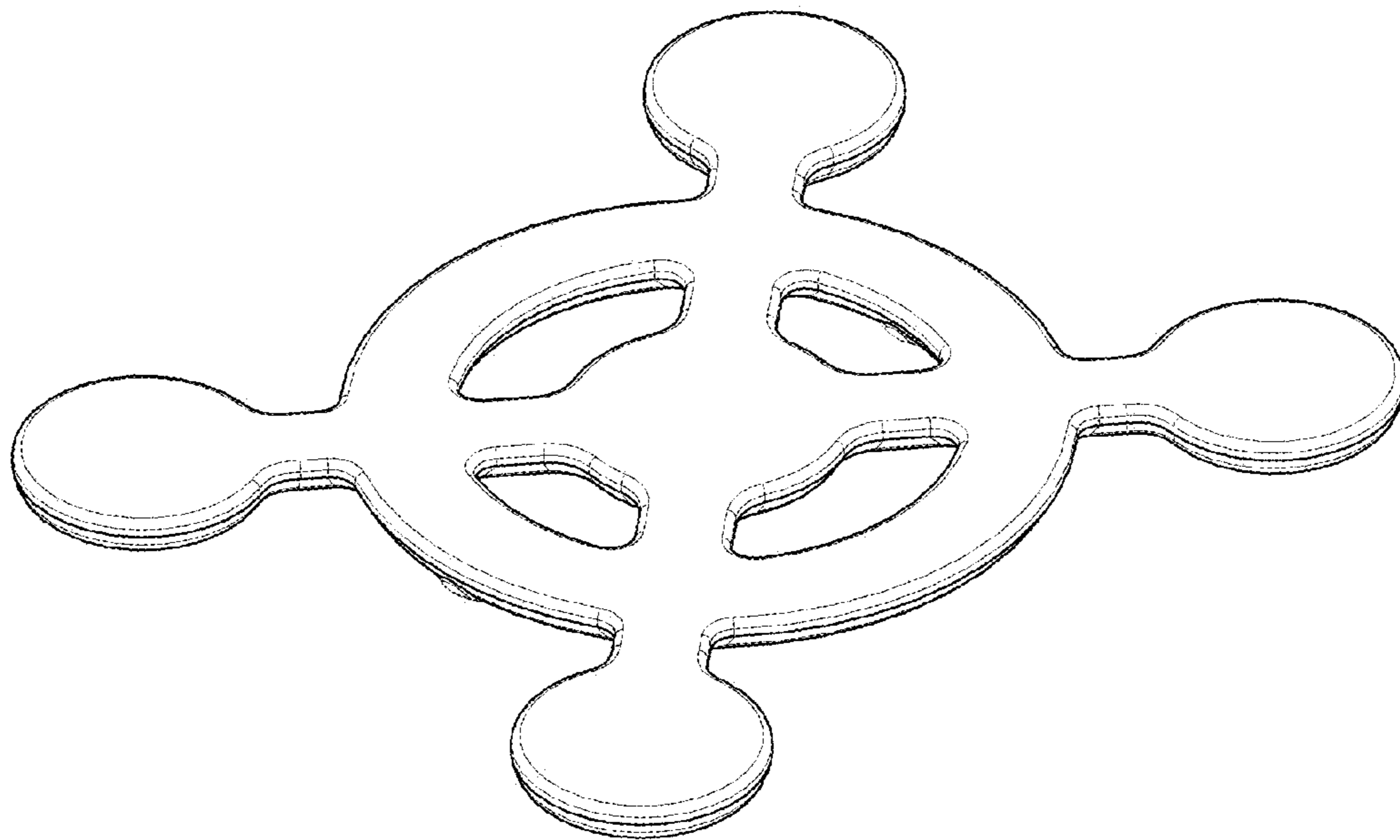


FIG. 2

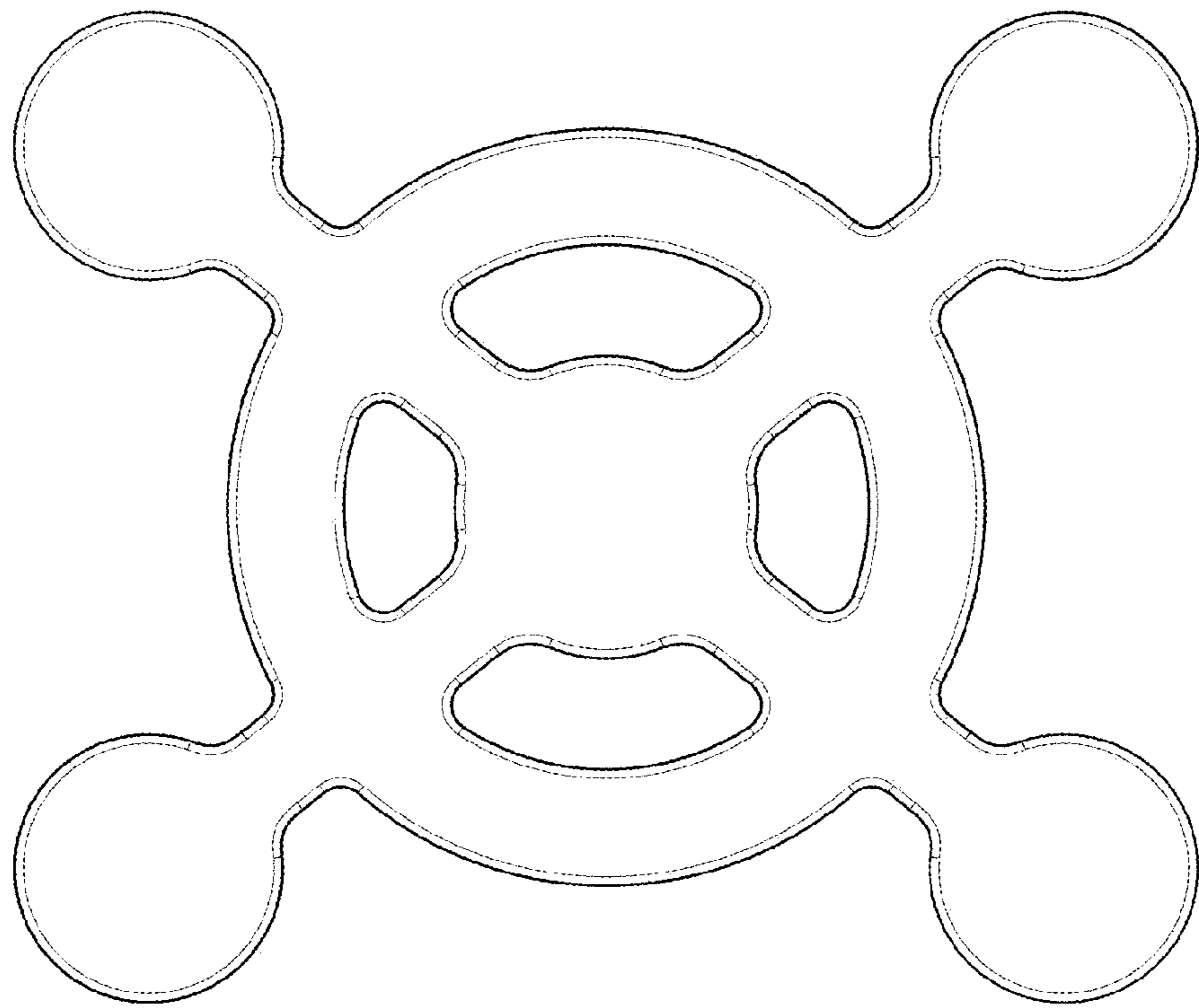


FIG. 3

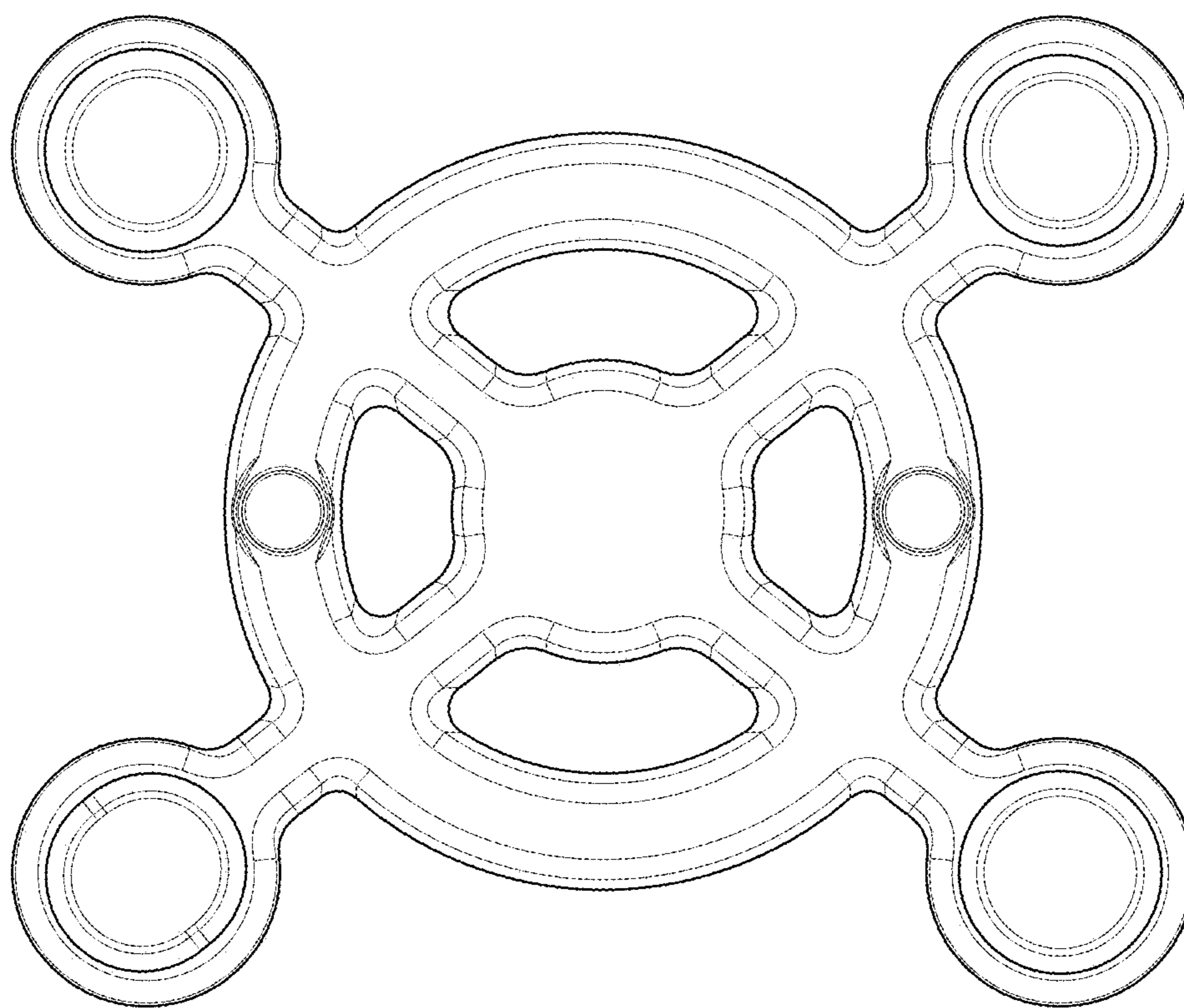


FIG. 4

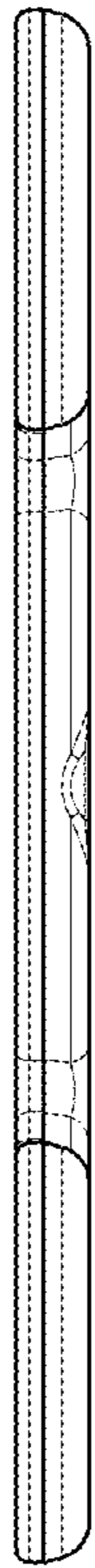


FIG. 5

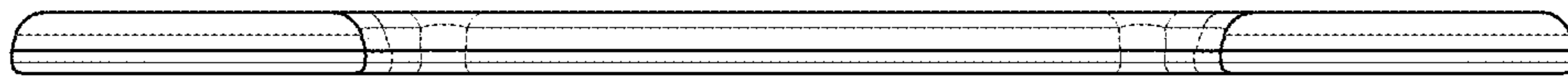


FIG. 6