



US00D748510S

(12) **United States Design Patent**
Zhou et al.

(10) **Patent No.:** **US D748,510 S**
(45) **Date of Patent:** **** Feb. 2, 2016**

(54) **HANDHELD RAMAN SPECTROMETER**

(71) Applicants: **Xin Jack Zhou**, Hockessin, DE (US);
Daoguo Jiang, Shanghai (CN); **Jun Xu**,
Shanghai (CN); **Yuejin Xu**, Shanghai
(CN); **Sean Xiaolu Wang**, Wilmington,
DE (US)

(72) Inventors: **Xin Jack Zhou**, Hockessin, DE (US);
Daoguo Jiang, Shanghai (CN); **Jun Xu**,
Shanghai (CN); **Yuejin Xu**, Shanghai
(CN); **Sean Xiaolu Wang**, Wilmington,
DE (US)

(73) Assignee: **BWT PROPERTY, INC.**, Newark (DE)

(**) Term: **14 Years**

(21) Appl. No.: **29/516,471**

(22) Filed: **Feb. 3, 2015**

(51) **LOC (10) Cl.** **10-04**

(52) **U.S. Cl.**
USPC **D10/81**; D10/78

(58) **Field of Classification Search**
USPC D10/78, 81
CPC G01J 1/44; G01J 3/02; G01J 3/0229;
G01J 3/0232; G01J 3/0256; G01J 3/0264;
G01J 3/0286; G01J 3/0297; G01J 3/1895;
G01J 3/4338; G01J 3/44; G01J 3/0272;
G01J 3/0208; G01J 3/0291; G01J 3/443;
G01J 3/463; G01J 3/502

See application file for complete search history.

(56) **References Cited**

U.S. PATENT DOCUMENTS

7,651,851 B2 *	1/2010	Clarke	A61B 5/14532 356/301
D651,924 S *	1/2012	Faulkner	D10/78
D677,185 S	3/2013	Zhou et al.		
D718,161 S *	11/2014	Derr	D10/78
8,951,472 B2 *	2/2015	Kellner	G01N 21/6428 422/68.1
9,084,550 B1 *	7/2015	Bartol	A61B 5/0488

* cited by examiner

Primary Examiner — Antoine D Davis

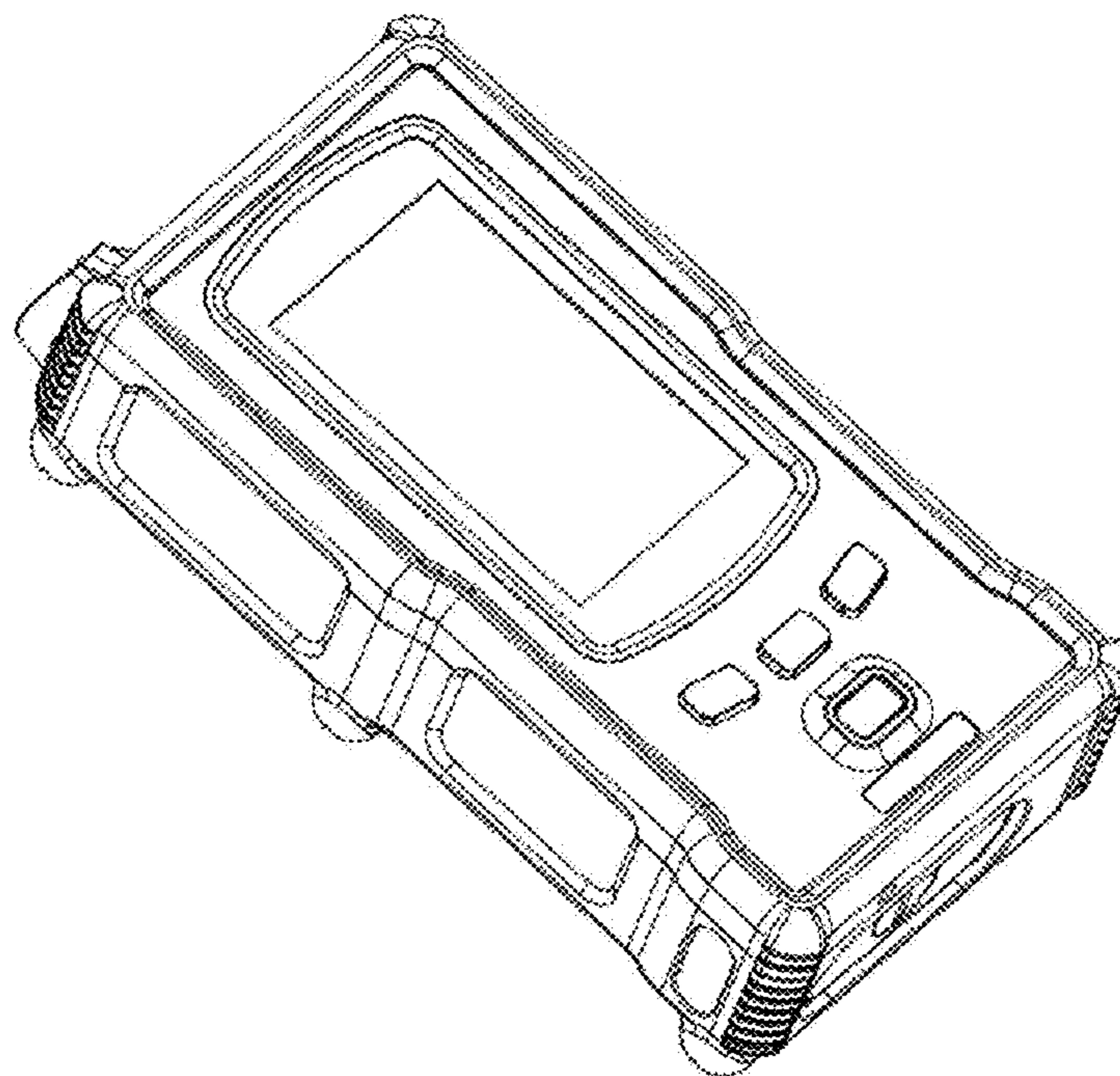
(57) **CLAIM**

The ornamental design for a handheld Raman spectrometer, as shown and described.

DESCRIPTION

FIG. 1 is a perspective view of a handheld Raman spectrometer in accordance with the present design;
FIG. 2 is a front view for the handheld Raman spectrometer shown in FIG. 1;
FIG. 3 is a rear view for the handheld Raman spectrometer shown in FIG. 1;
FIG. 4 is a left side view for the handheld Raman spectrometer shown in FIG. 1;
FIG. 5 is a right side view for the handheld Raman spectrometer shown in FIG. 1;
FIG. 6 is a bottom view for the handheld Raman spectrometer shown in FIG. 1; and,
FIG. 7 is a top view for the handheld Raman spectrometer shown in FIG. 1.

1 Claim, 2 Drawing Sheets



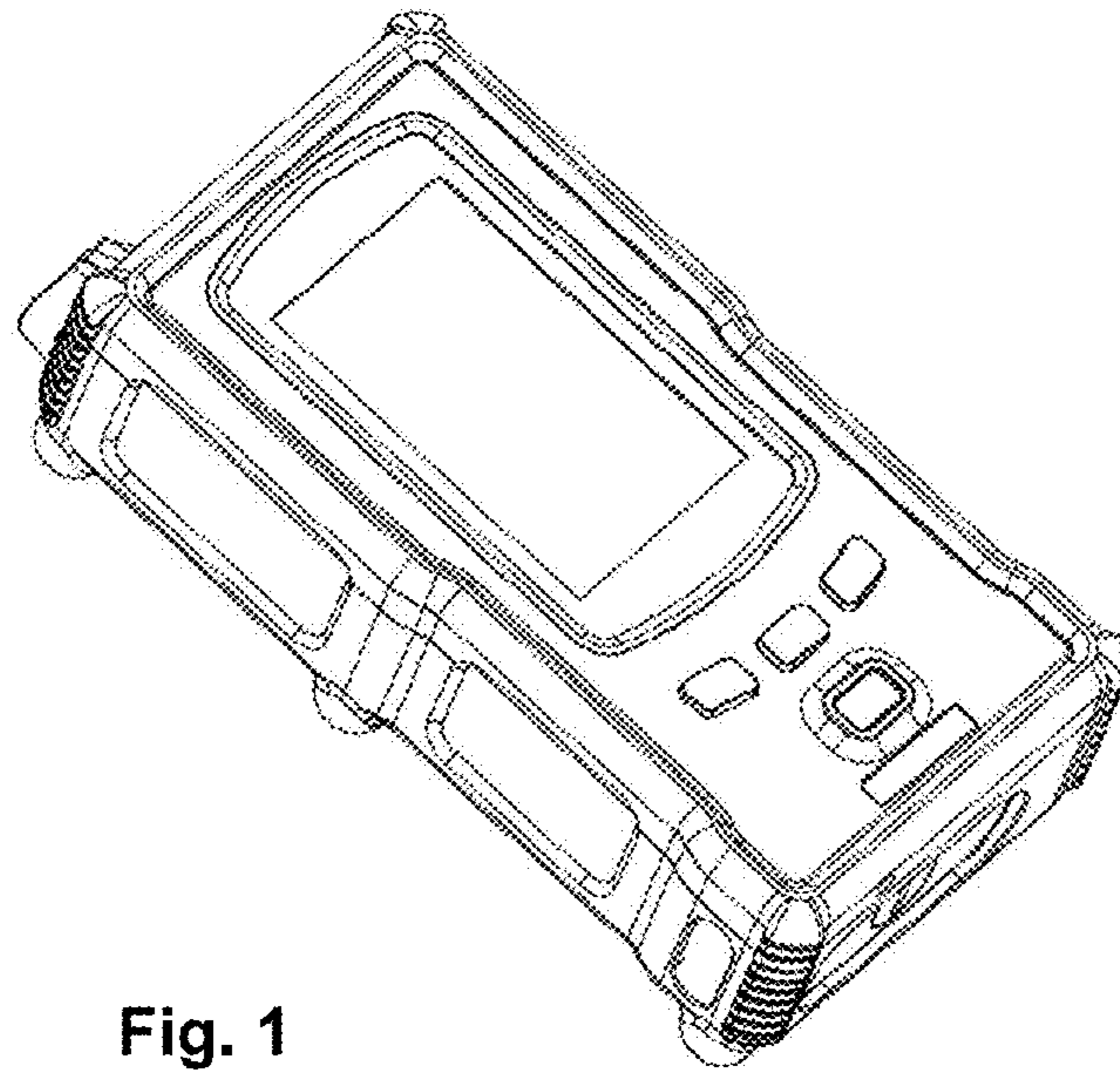


Fig. 1

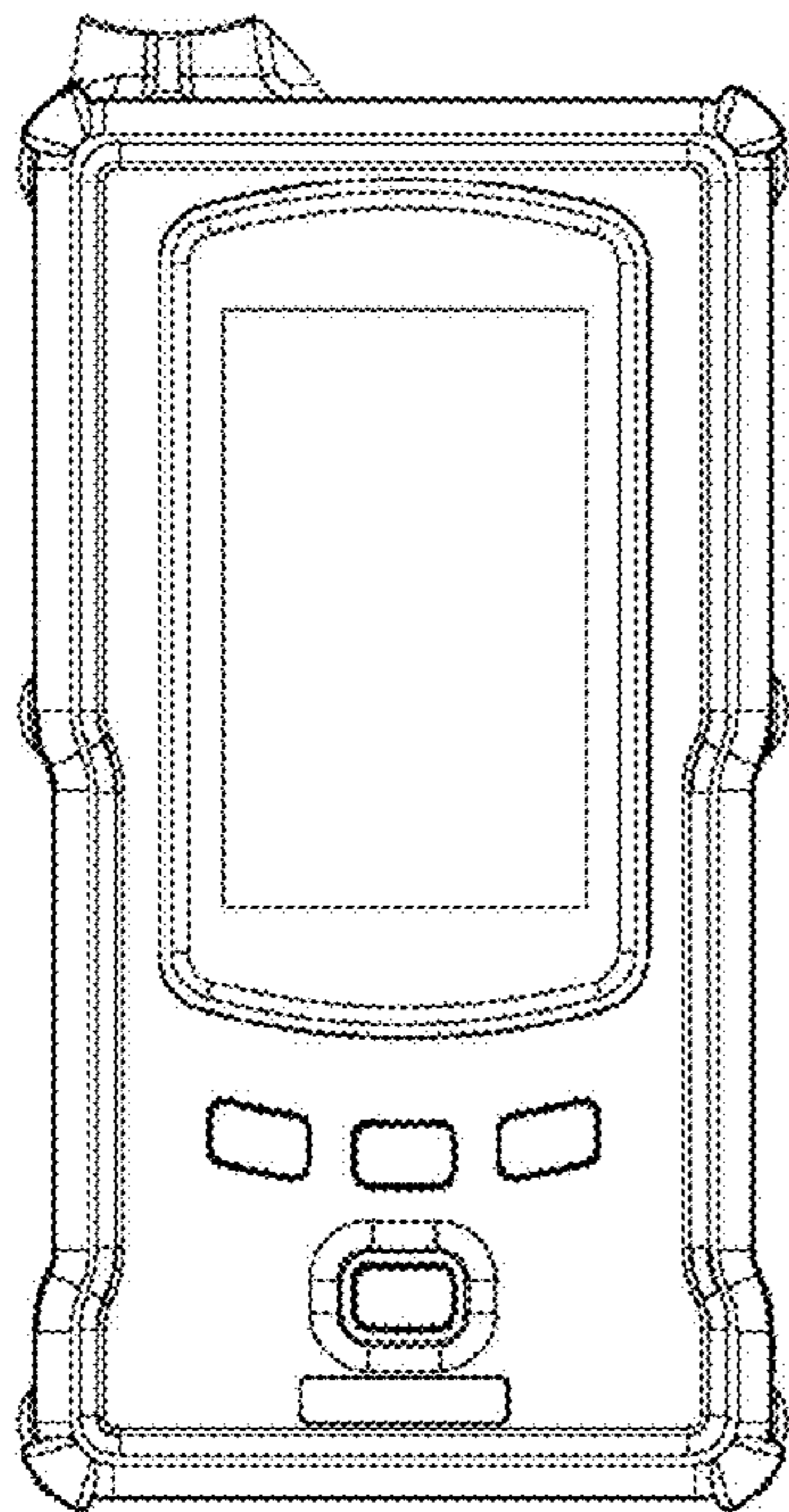


Fig. 2

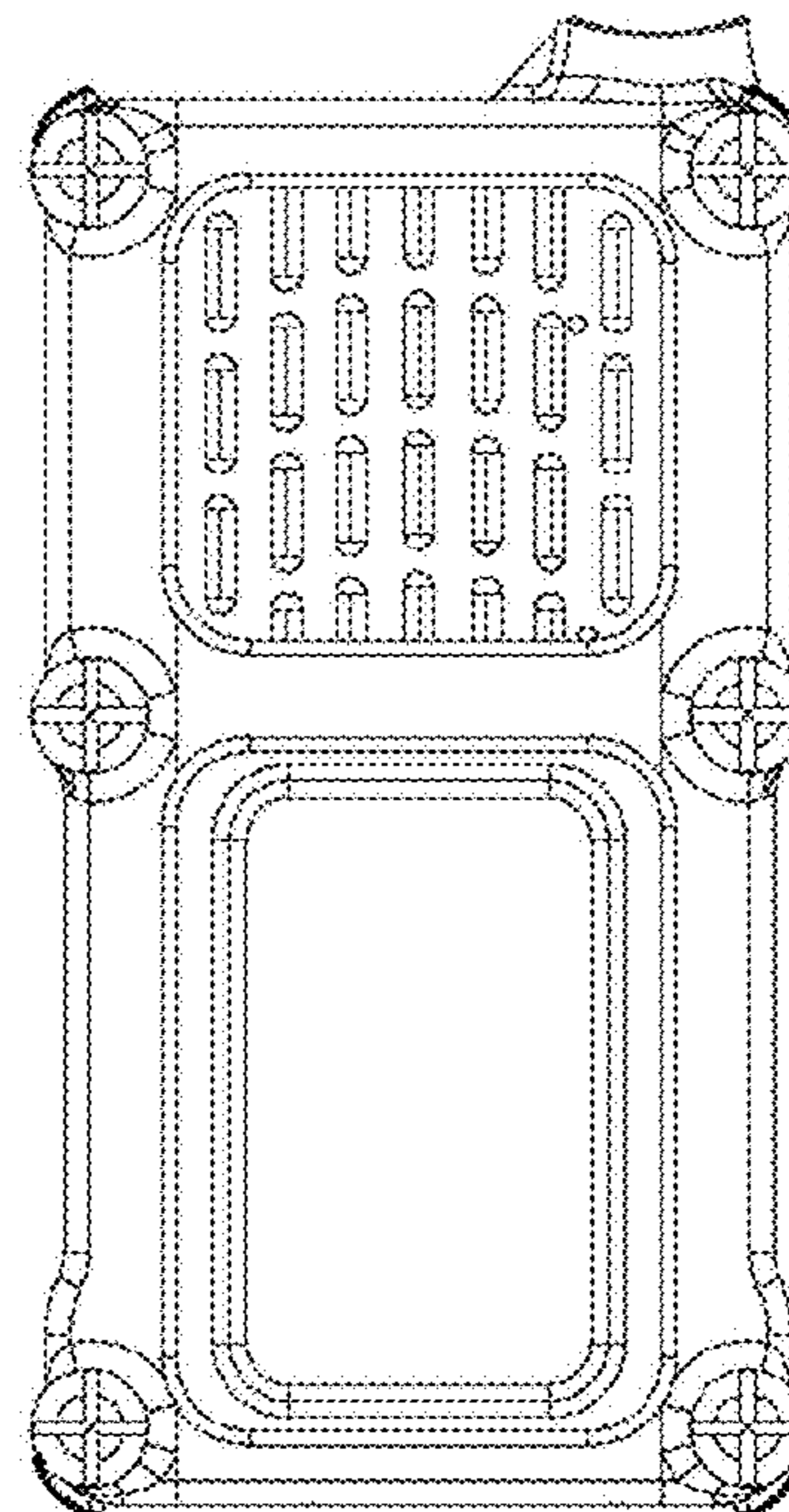


Fig. 3

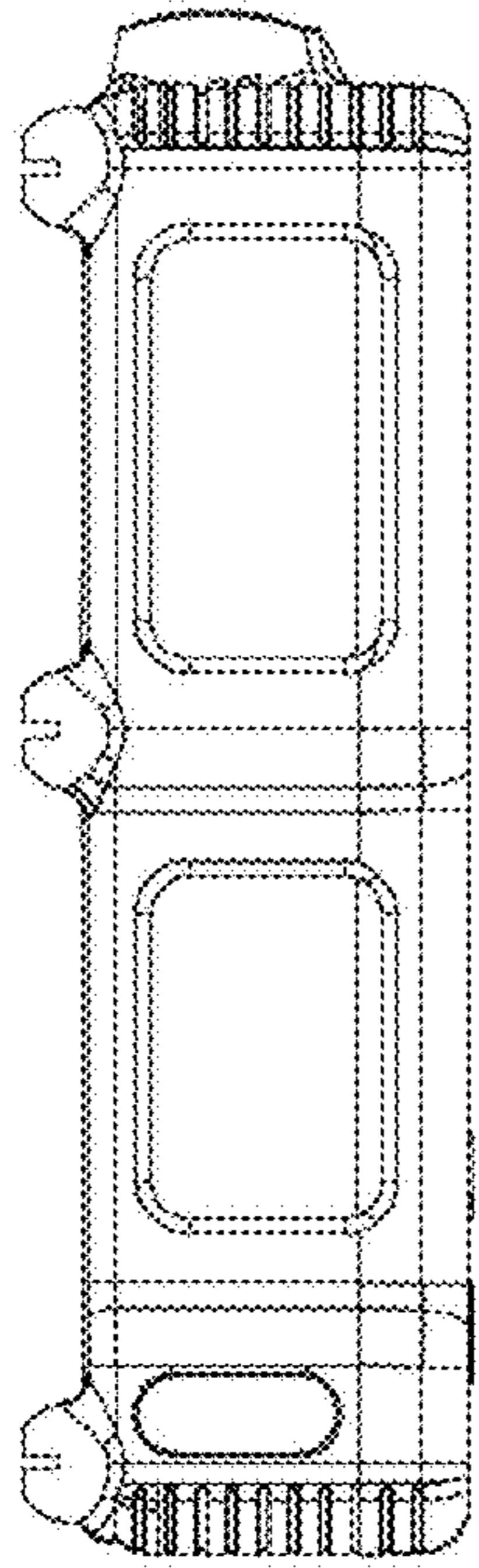


Fig. 4

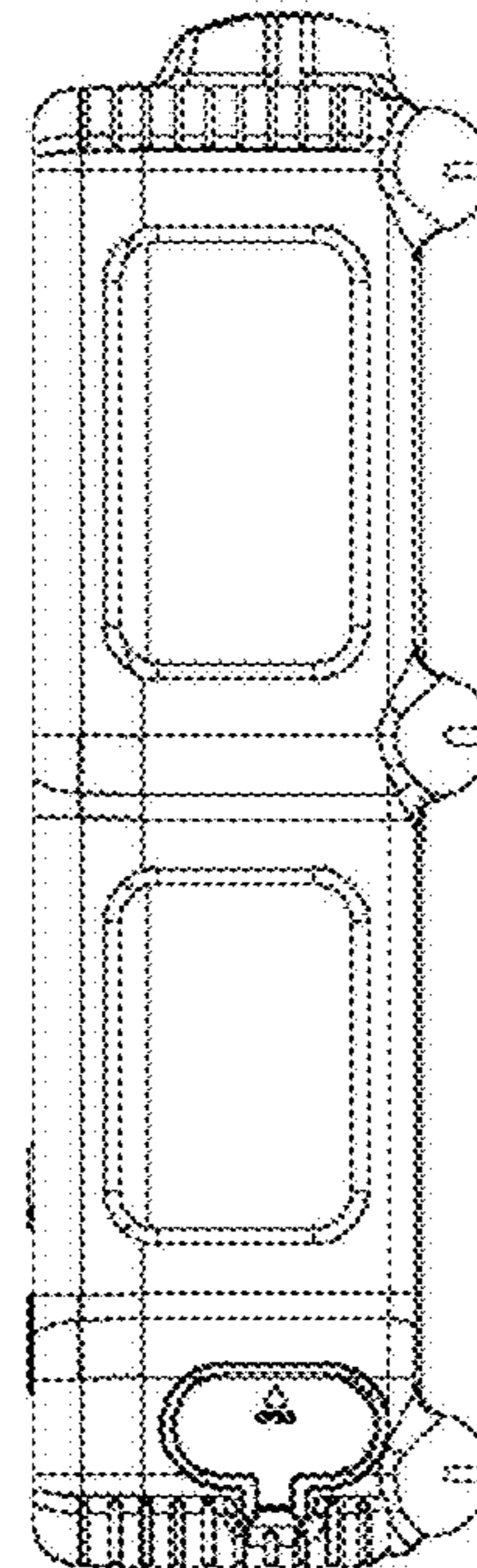


Fig. 5

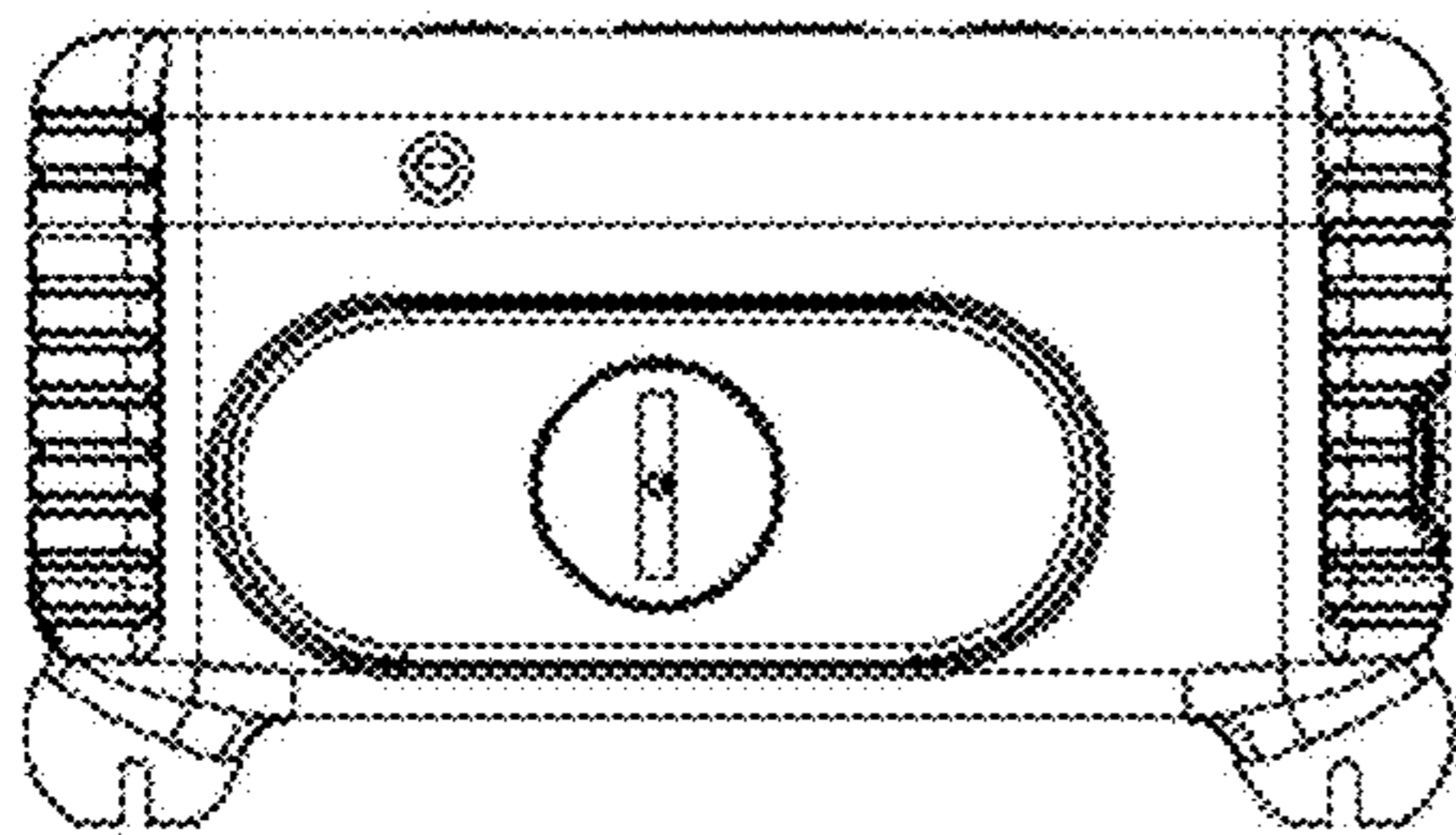


Fig. 6

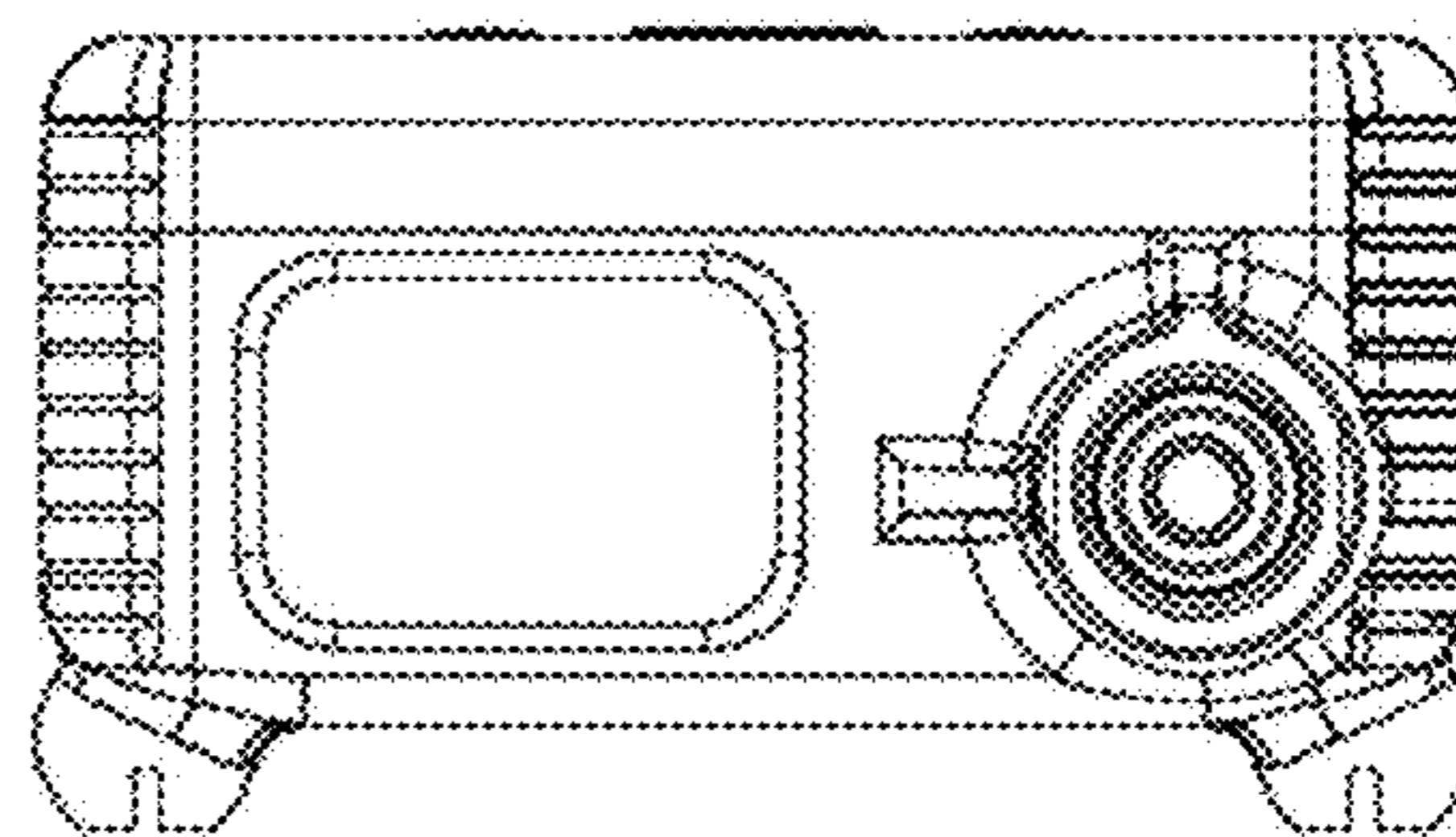


Fig. 7