



US00D748509S

(12) **United States Design Patent**
Ammon et al.

(10) **Patent No.:** **US D748,509 S**
(45) **Date of Patent:** **** Feb. 2, 2016**

(54) **ANALYTICAL MEASURING INSTRUMENT**

(56) **References Cited**

(71) Applicant: **Mettler-Toledo AG**, Greifensee (CH)

U.S. PATENT DOCUMENTS

(72) Inventors: **Patrick Ammon**, Brügg (CH); **Yves Marmier**, La Chaux-de-Fonds (CH); **Thibault Escalier**, La Chaux-de-Fonds (CH); **Roy Liu**, Shanghai (CN)

D453,905	S	*	2/2002	Cheng	D10/81
D462,024	S	*	8/2002	Nardo et al.	D10/81
D718,161	S	*	11/2014	Derr	D10/81
D727,764	S	*	4/2015	Nothacker et al.	D10/81
D731,341	S	*	6/2015	Kobayakawa	D10/81
D732,411	S	*	6/2015	Waler et al.	D10/81
2010/0041156	A1	*	2/2010	Brenneman et al.	436/48
2013/0121875	A1	*	5/2013	Hsu et al.	422/68.1

(73) Assignee: **Mettler-Toledo AG**, Greifensee (CH)

* cited by examiner

(**) Term: **14 Years**

Primary Examiner — Antoine D Davis

(21) Appl. No.: **29/507,435**

(74) *Attorney, Agent, or Firm* — Standley Law Group LLP

(22) Filed: **Oct. 28, 2014**

(57) **CLAIM**

The ornamental design for an analytical measuring instrument, as shown and described.

(30) **Foreign Application Priority Data**

DESCRIPTION

Apr. 29, 2014 (EM) 002455261

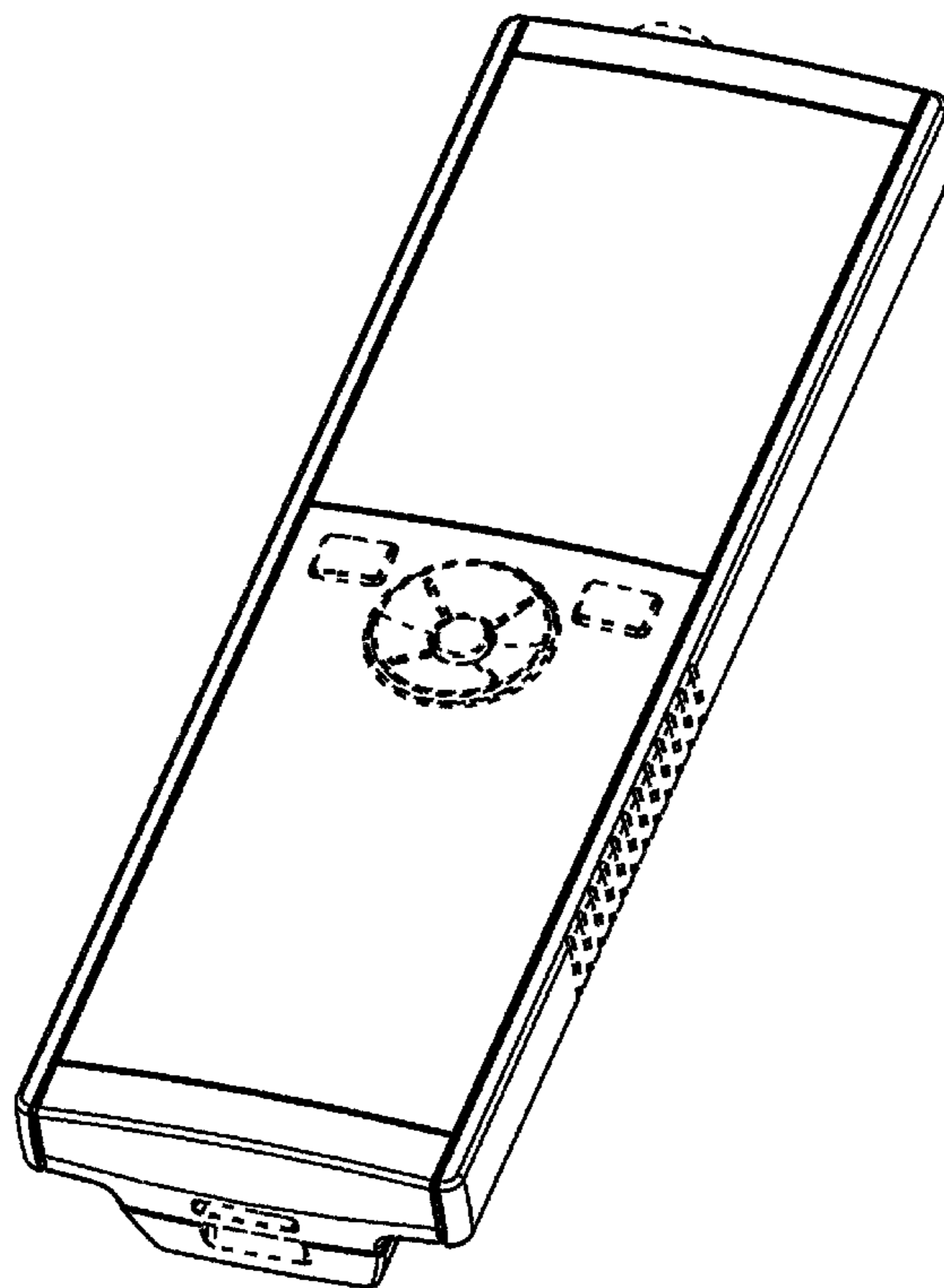
(51) **LOC (10) Cl.** **10-04**

(52) **U.S. Cl.**
USPC **D10/81**; D10/78

(58) **Field of Classification Search**
USPC D10/78, 81
CPC G01N 33/48785; G01N 33/48; G01N 33/483; G01N 2201/31; G01N 2201/022; G01N 2201/0221; G01N 2201/0222; G01N 2201/0223; G01N 2201/0224; G01N 2201/0225; G01N 2201/0226; G01N 2201/0227; G01N 2201/0228; G01N 2223/50
See application file for complete search history.

FIG. 1 is a front perspective view of the analytical measuring instrument;
FIG. 2 is a top plan view of the FIG. 1 device;
FIG. 3 is a bottom plan view of the FIG. 1 device;
FIG. 4 is a left side elevation view of the FIG. 1 device;
FIG. 5 is a right side elevation view of the FIG. 1 device;
FIG. 6 is a rear elevation view of the FIG. 1 device; and,
FIG. 7 is a front elevation view of the FIG. 1 device.
The broken lines are for illustrating functional features and form no part of the claimed design.

1 Claim, 7 Drawing Sheets



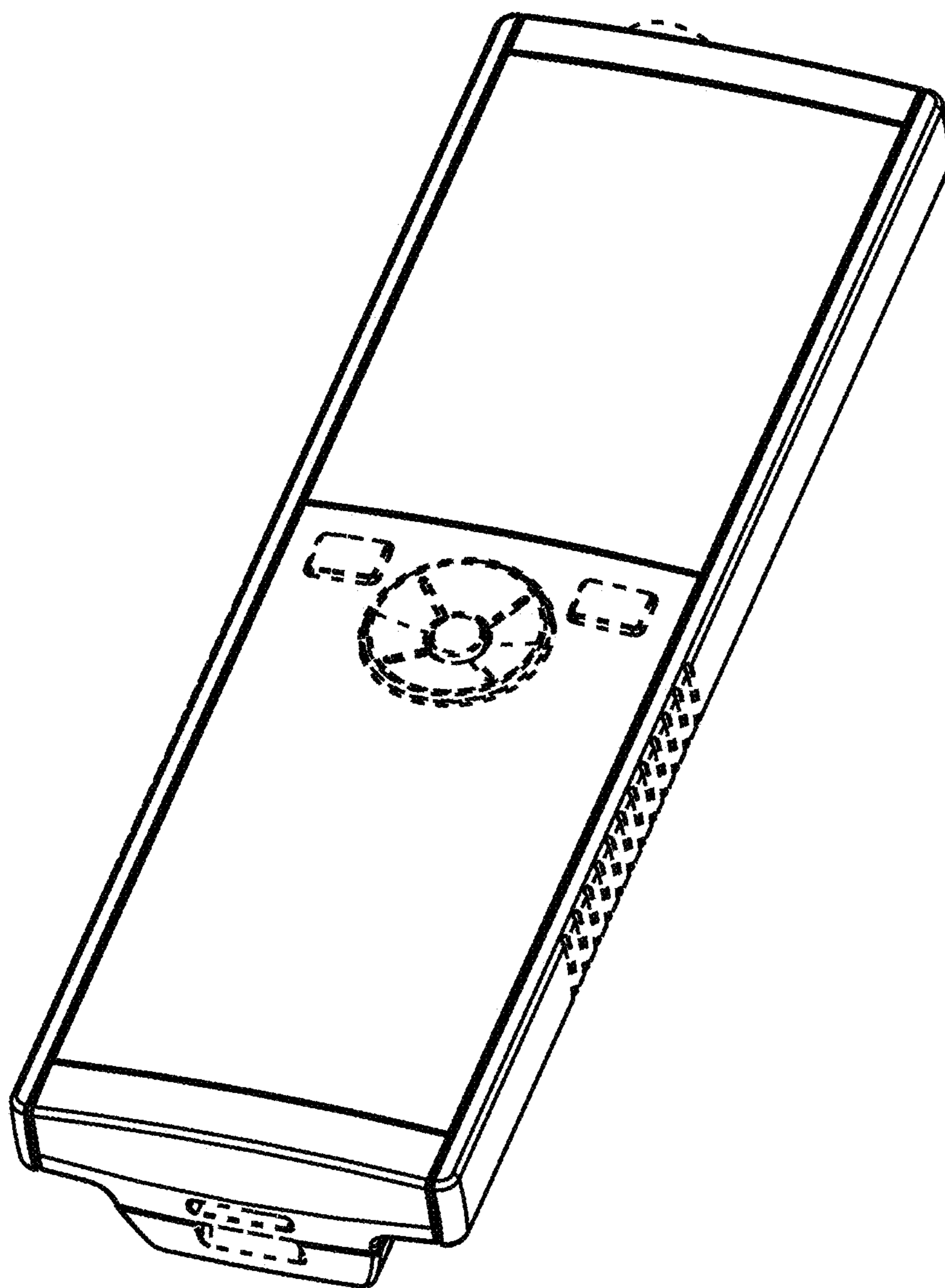


FIG. 1

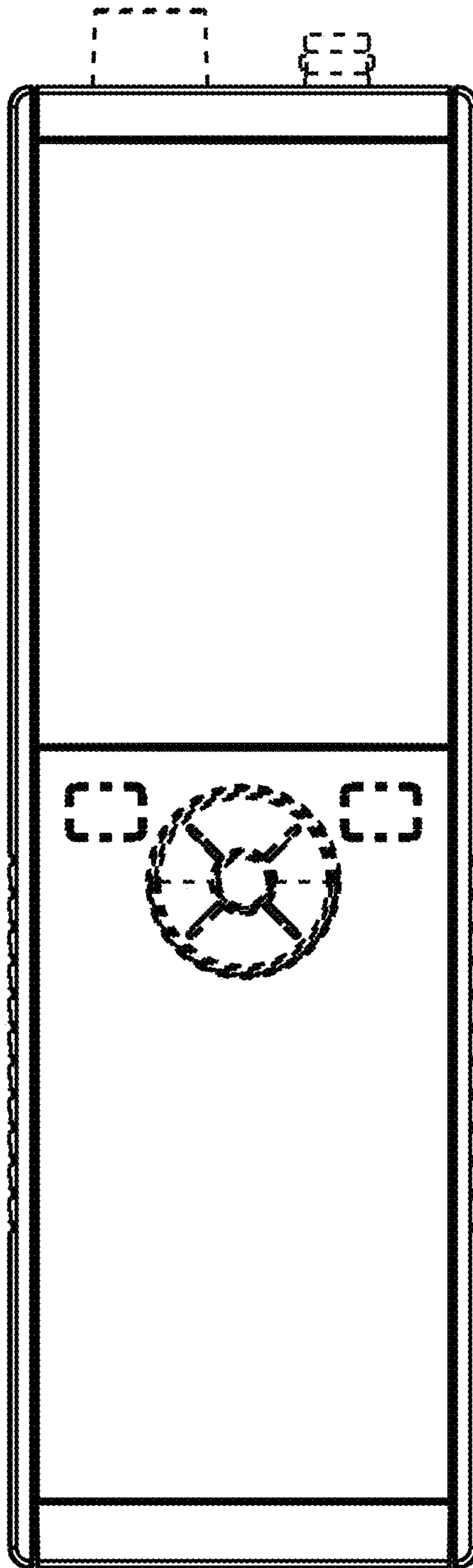


FIG. 2

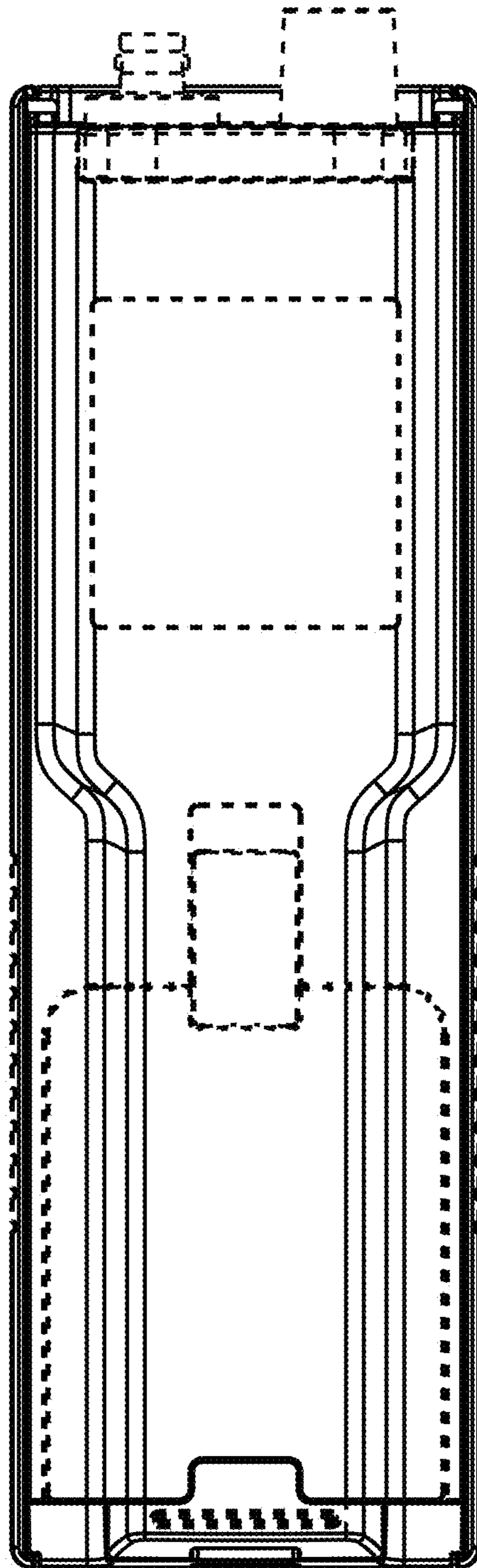


FIG. 3

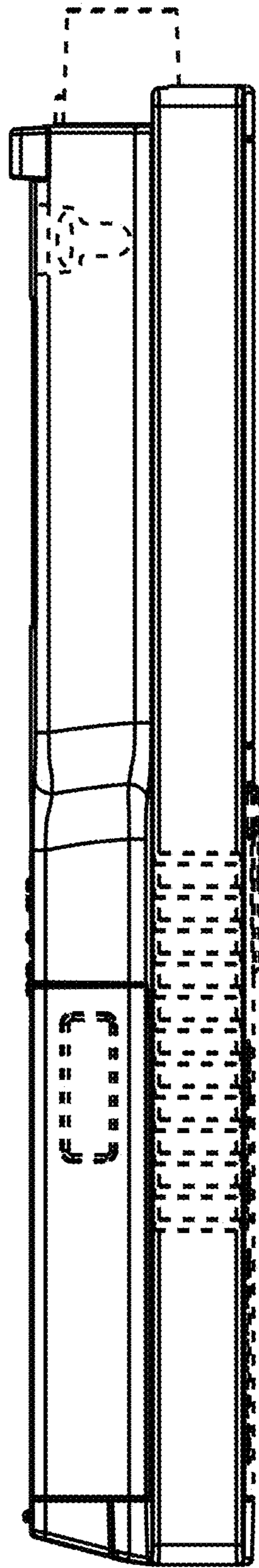


FIG. 4

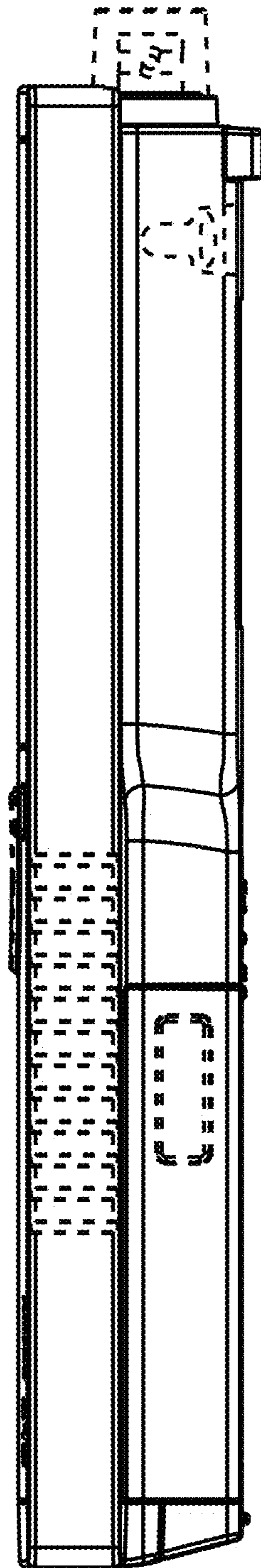


FIG. 5

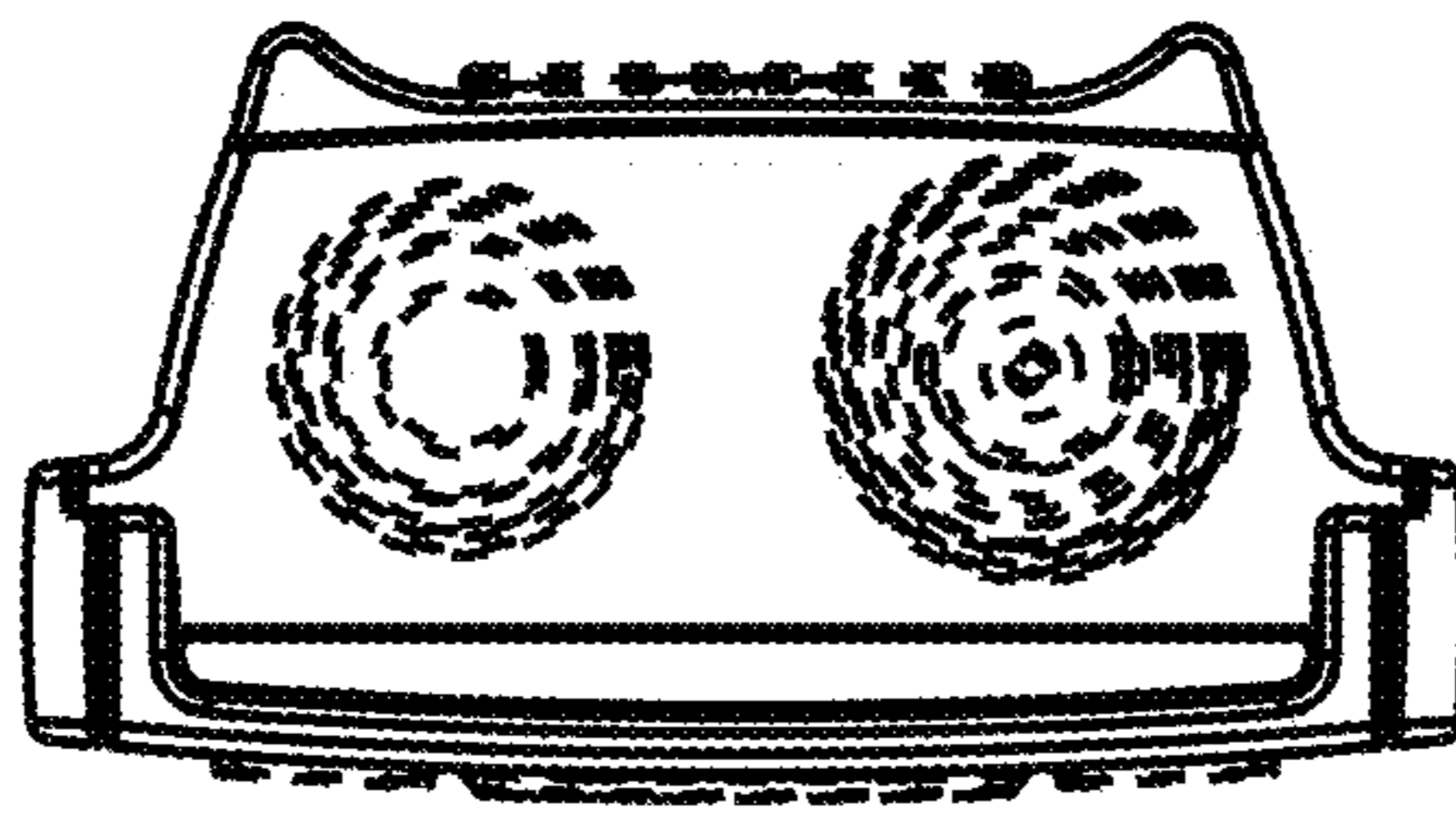


FIG. 6

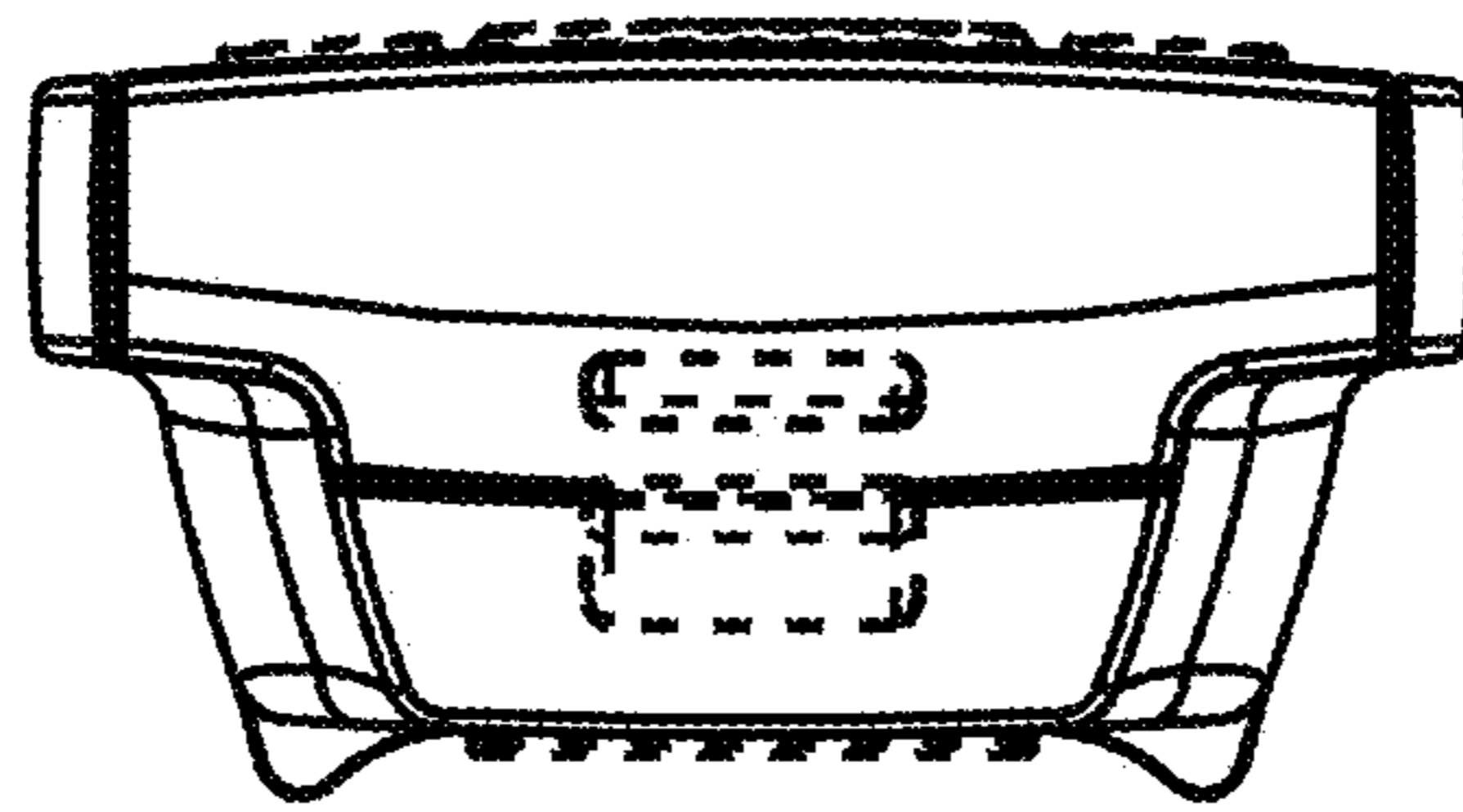


FIG. 7