



US00D748508S

(12) **United States Design Patent**
Park et al.

(10) **Patent No.:** **US D748,508 S**
(45) **Date of Patent:** **** Feb. 2, 2016**

(54) **GOLF SWING ANALYZER**
(71) Applicant: **GOLFZON Co., Ltd.**, Daejeon (KR)
(72) Inventors: **Jung Hak Park**, Daejeon (KR); **Jeong Soo Lee**, Daejeon (KR); **Jang Ju Moon**, Seoul (KR)
(73) Assignee: **GOLFZON CO., LTD.**, Daejeon (KR)
(**) Term: **14 Years**
(21) Appl. No.: **29/516,025**
(22) Filed: **Jan. 29, 2015**
(51) **LOC (10) Cl.** **10-04**
(52) **U.S. Cl.**
USPC **D10/70; D10/65; D21/718**
(58) **Field of Classification Search**
USPC **D10/65, 70; D21/717, 718**
CPC **A63B 69/00; A63B 69/3632; A63B 69/0026; A63B 69/3611; A63B 69/3685; A63B 69/38; A63B 2069/0006; A63B 2069/0008; A63B 2071/0647; A63B 2220/40; A63B 2220/803; A63B 2220/833; A63B 2225/50; A63B 2243/0075; G01P 15/00**
See application file for complete search history.

8,192,293 B2 * 6/2012 Denton A63B 24/0021
340/539.13
8,624,738 B2 * 1/2014 Savarese A63B 57/00
340/539.1
8,894,502 B2 * 11/2014 Rose A63B 69/3632
473/223
8,974,323 B2 * 3/2015 Kumar A63B 57/0018
473/387
9,108,087 B2 * 8/2015 Hornung A63B 71/0622

* cited by examiner

Primary Examiner — Antoine D Davis

(74) *Attorney, Agent, or Firm* — Revolution IP, PLLC

(56) **References Cited**

U.S. PATENT DOCUMENTS

5,437,446 A * 8/1995 Youngkin A63B 69/3676
473/257

(57) **CLAIM**

The ornamental design for a “golf swing analyzer,” as shown and described.

DESCRIPTION

FIG. 1 is a perspective view of golf swing analyzer showing my new design;
FIG. 2 is a front view thereof;
FIG. 3 is a rear view thereof;
FIG. 4 is a left side view thereof;
FIG. 5 is a right side view thereof;
FIG. 6 is a top view thereof; and,
FIG. 7 is a bottom view thereof.

1 Claim, 7 Drawing Sheets

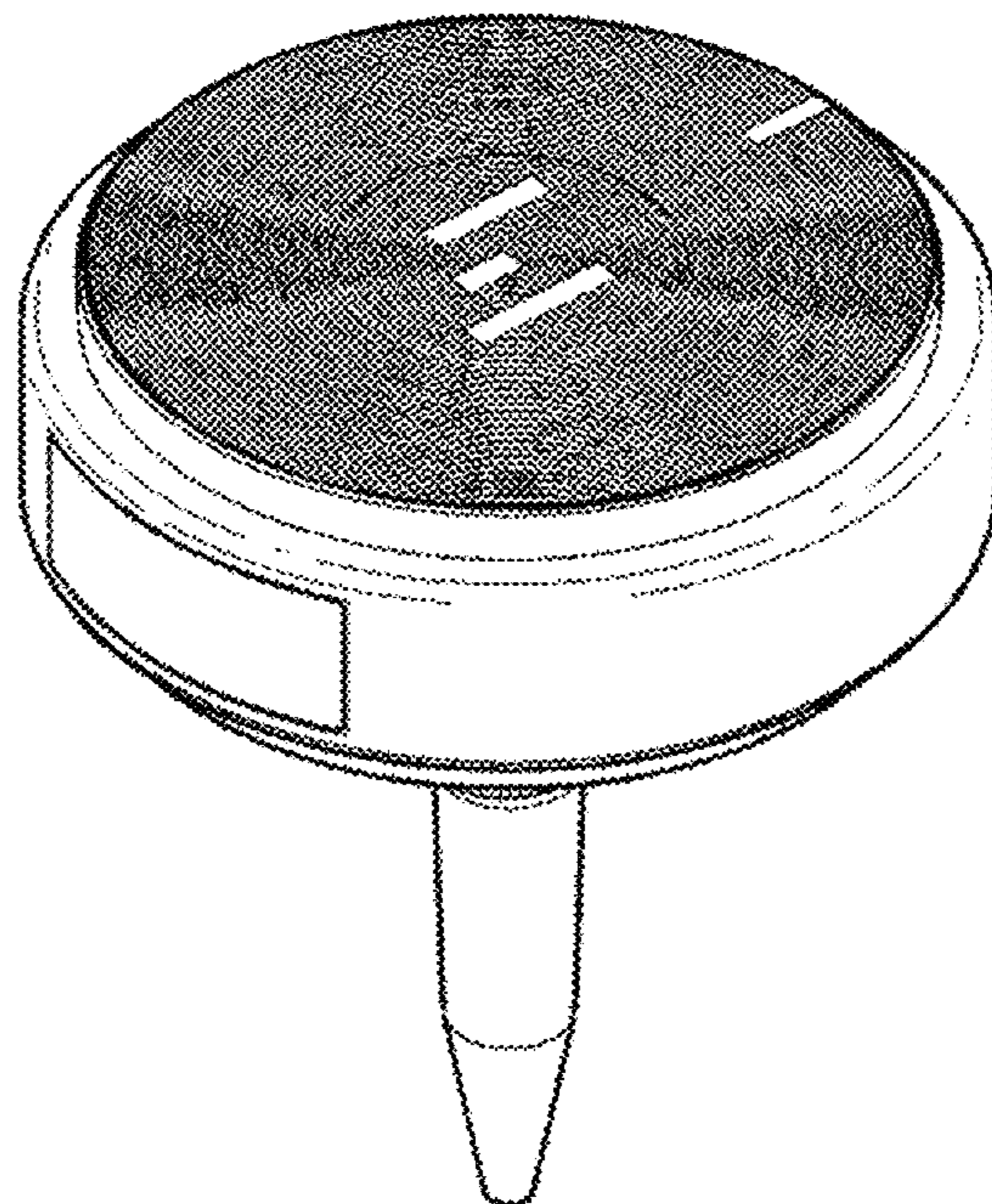


FIG. 1

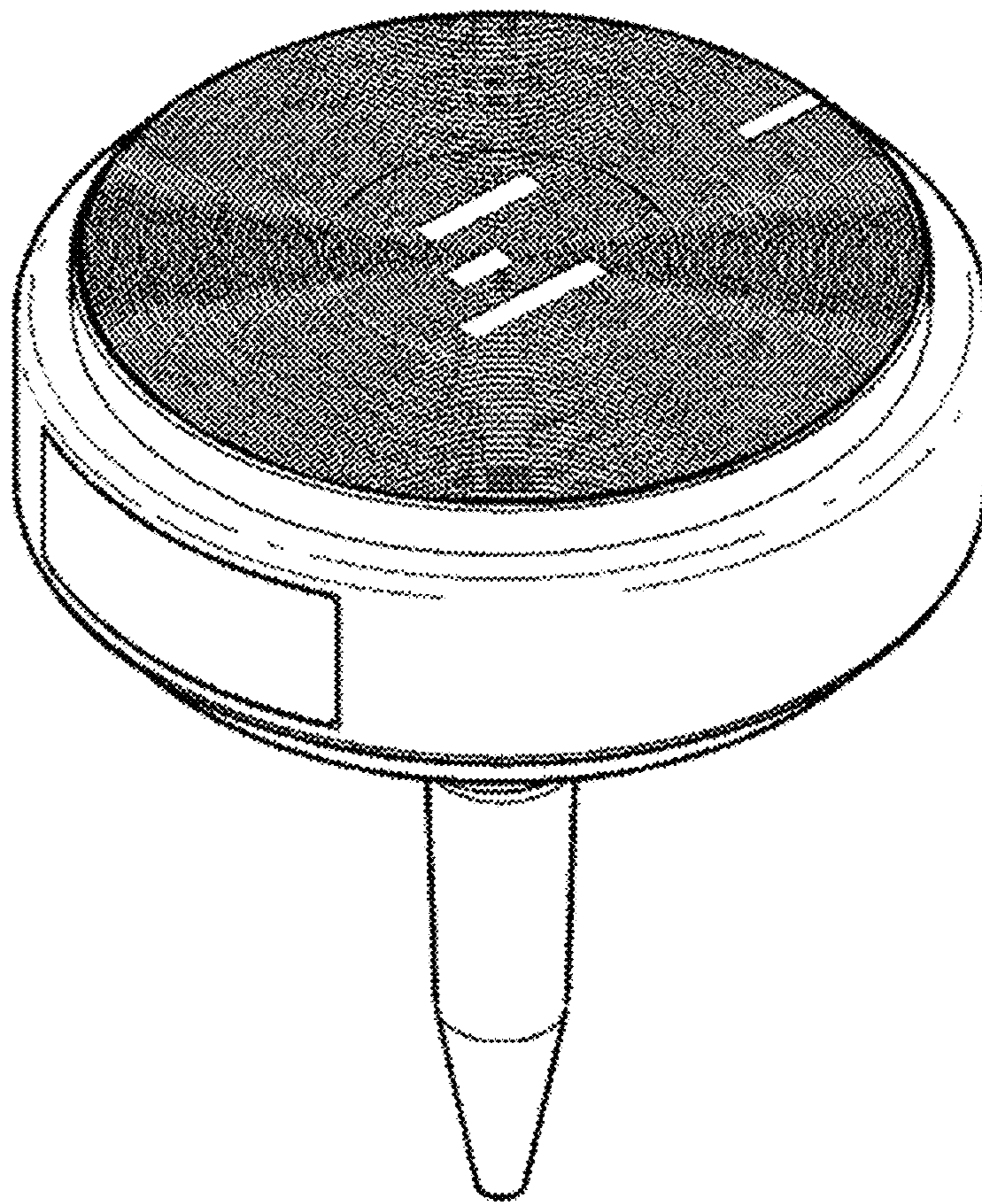


FIG. 2

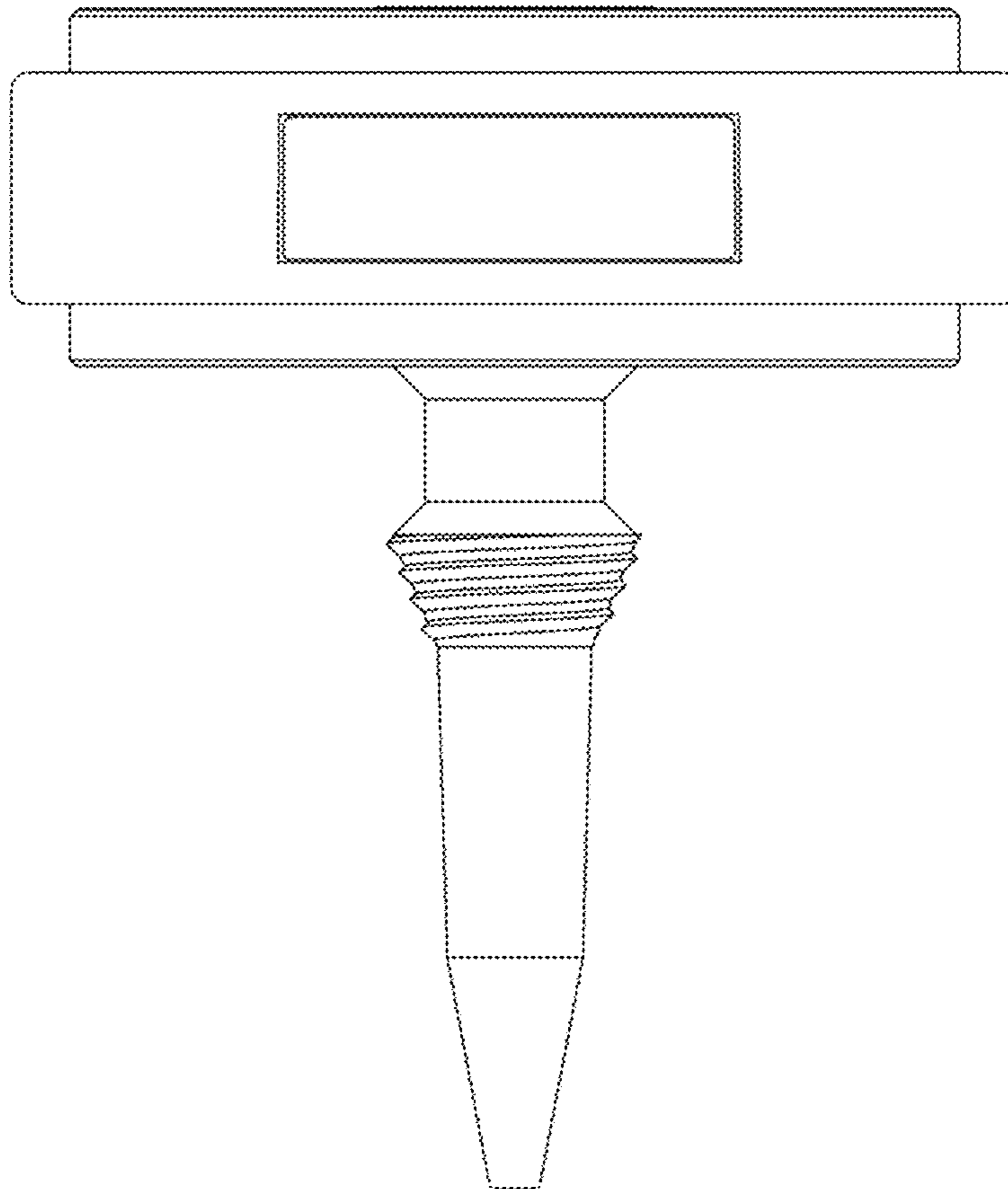


FIG. 3

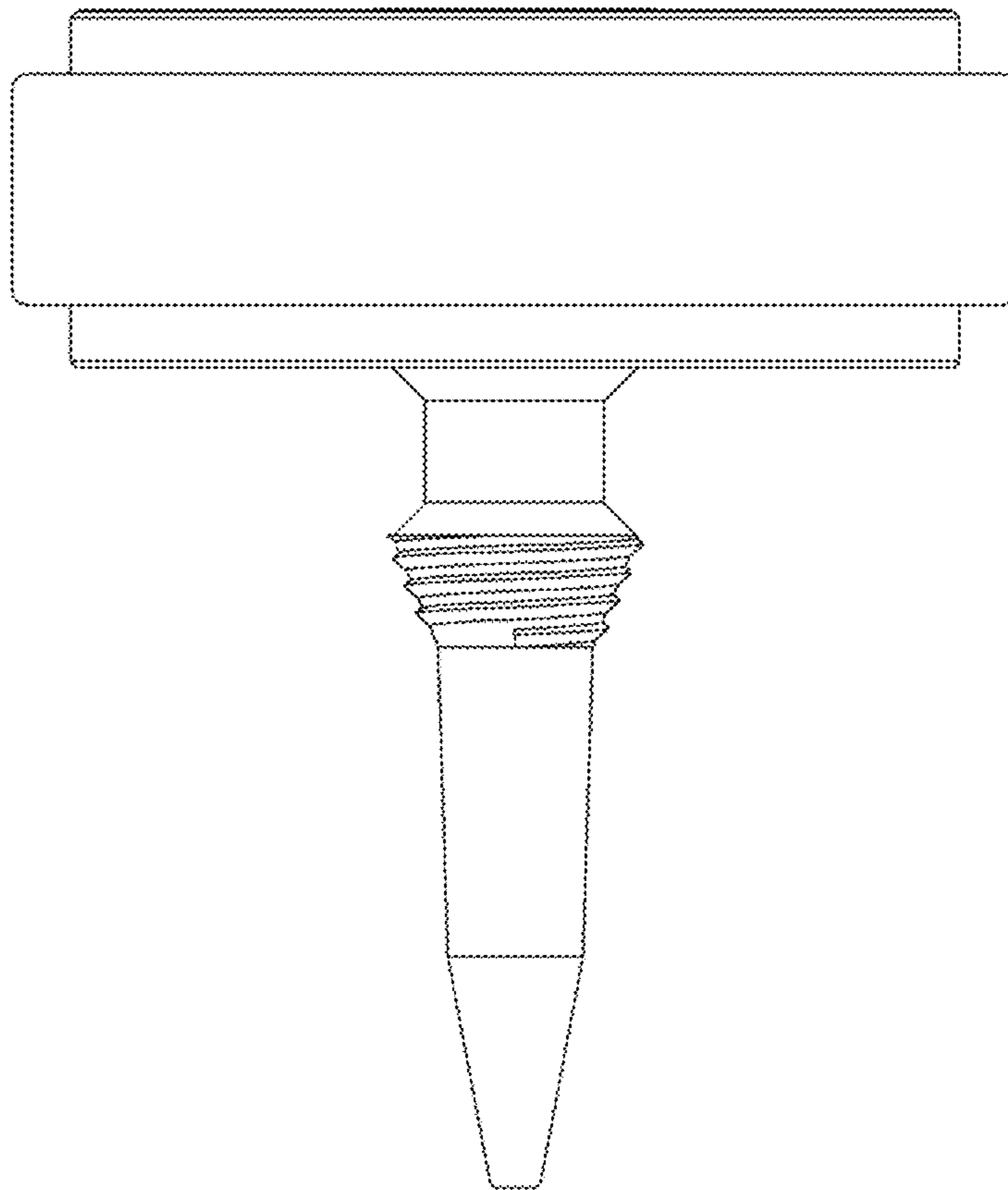


FIG. 4

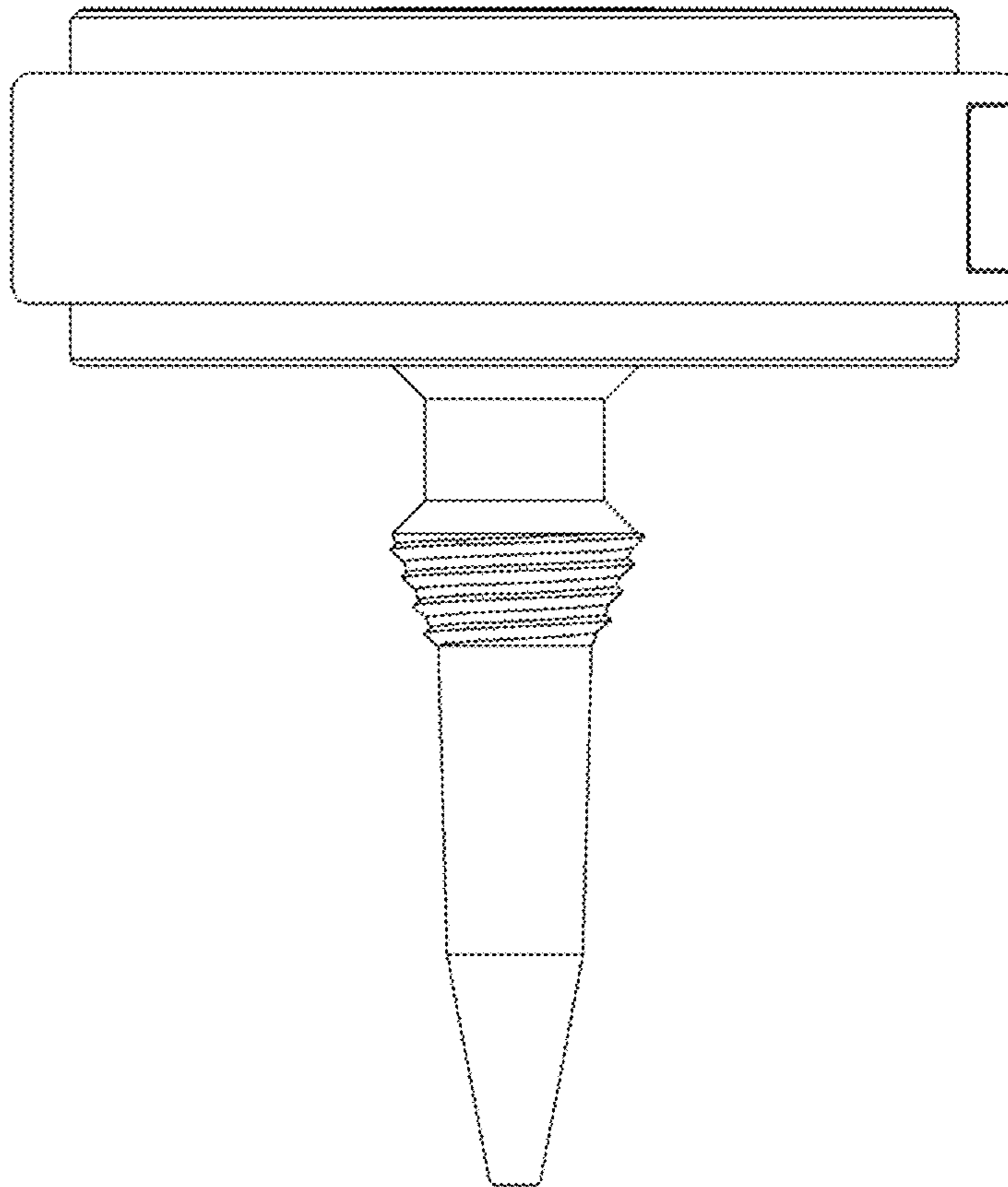


FIG. 5

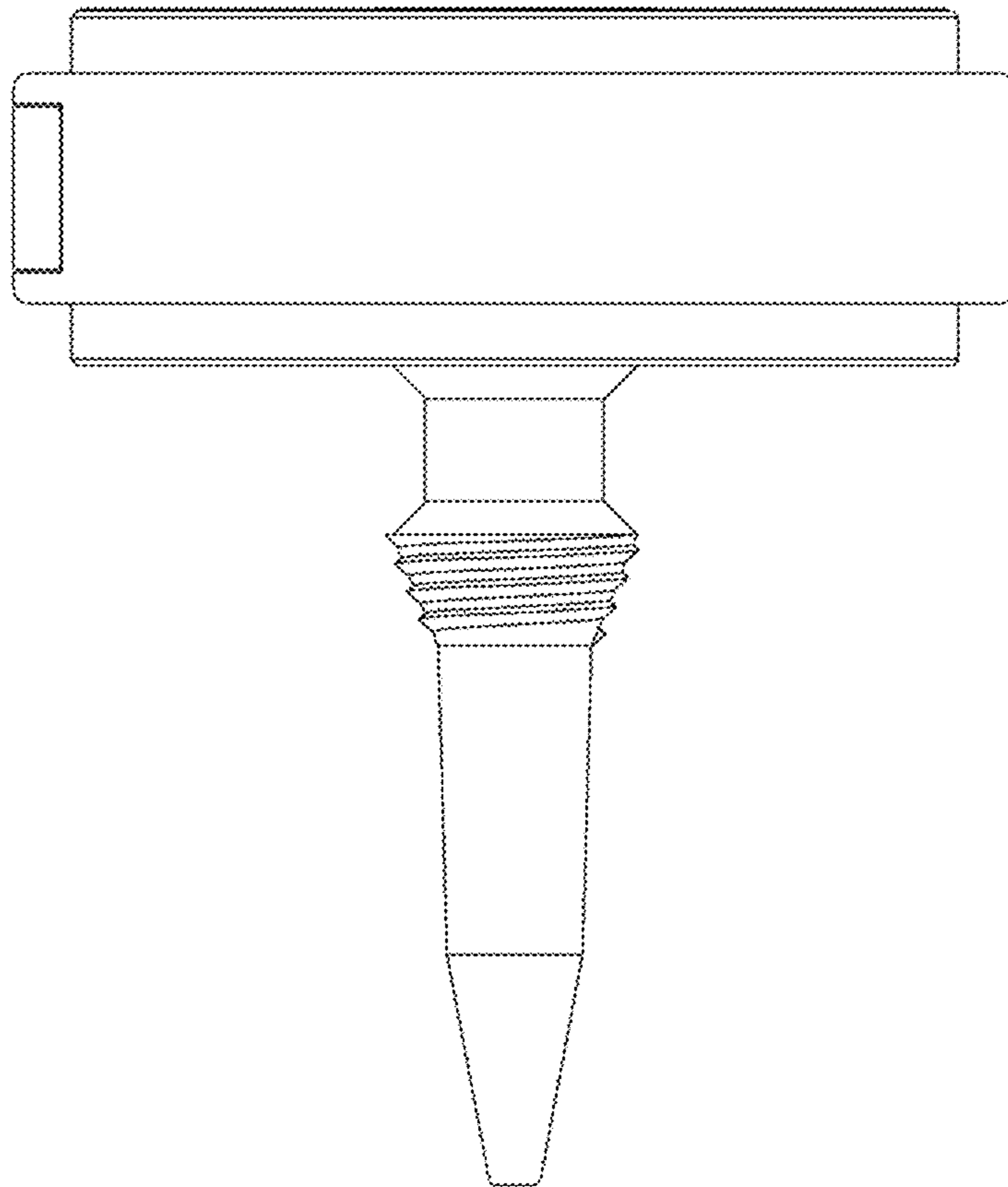


FIG. 6

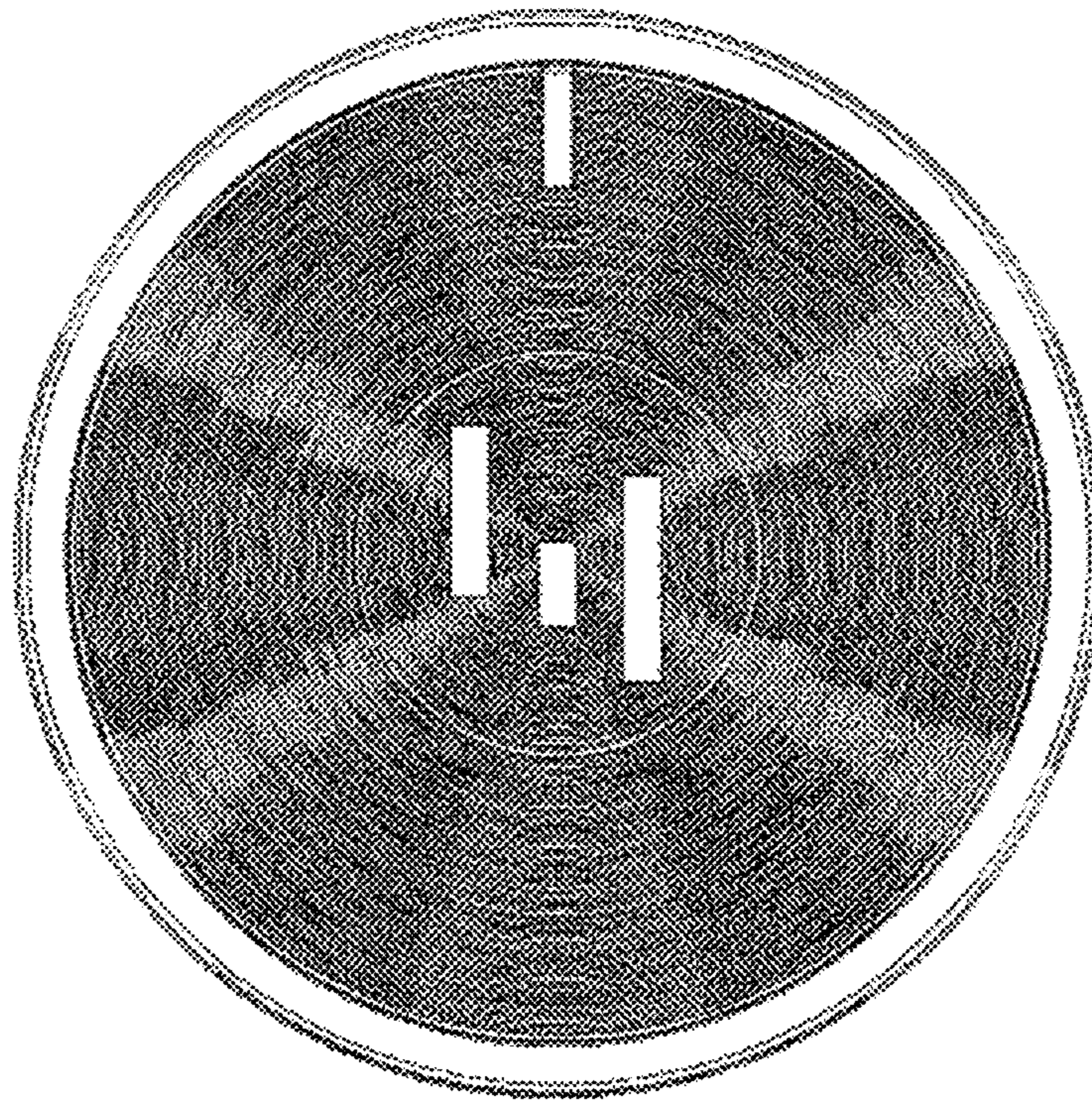


FIG. 7

