



US00D748506S

(12) **United States Design Patent**  
**Stecker et al.**

(10) **Patent No.:** **US D748,506 S**  
(45) **Date of Patent:** **\*\* Feb. 2, 2016**

(54) **SENSOR**

(71) Applicant: **Banner Engineering Corporation,**  
Minneapolis, MN (US)

(72) Inventors: **John Alyn Stecker,** Maple Lake, MN  
(US); **Matthew Alexander Payne,**  
Columbia Heights, MN (US)

(73) Assignee: **Banner Engineering Corporation,**  
Minneapolis, MN (US)

(\*\*) Term: **14 Years**

(21) Appl. No.: **29/502,422**

(22) Filed: **Sep. 16, 2014**

**Related U.S. Application Data**

(63) Continuation-in-part of application No. 14/021,384,  
filed on Sep. 9, 2013.

(51) **LOC (10) Cl.** ..... **10-04**

(52) **U.S. Cl.**  
USPC ..... **D10/70**

(58) **Field of Classification Search**  
USPC ..... D10/70  
CPC .. G01C 15/002; G01C 15/004; G01C 15/006;  
G01C 15/008; G01C 15/02

See application file for complete search history.

(56) **References Cited**

U.S. PATENT DOCUMENTS

4,302,885	A *	12/1981	Levine et al. ....	33/228
D268,910	S *	5/1983	Shipp et al. ....	D10/70
5,471,218	A *	11/1995	Talbot et al. ....	342/357.36
5,859,693	A *	1/1999	Dunne et al. ....	356/4.01
5,886,775	A *	3/1999	Houser et al. ....	356/4.01
8,934,009	B2 *	1/2015	Kumagai et al. ....	348/135

\* cited by examiner

*Primary Examiner* — Antoine D Davis

(74) *Attorney, Agent, or Firm* — Merchant & Gould, P.C.

(57) **CLAIM**

The ornamental design for a sensor, as shown and described.

**DESCRIPTION**

FIG. 1 is a perspective rear/top/right view of a sensor according to one aspect of the present disclosure;  
FIG. 2 is a back view of the sensor depicted in FIG. 1;  
FIG. 3 is a front view of the sensor depicted in FIG. 1;  
FIG. 4 is a right view of the sensor depicted in FIG. 1;  
FIG. 5 is a left view of the sensor depicted in FIG. 1;  
FIG. 6 is a top view of the sensor depicted in FIG. 1;  
FIG. 7 is a bottom view of the sensor depicted in FIG. 1;  
FIG. 8 is a perspective front/top/left view of the sensor depicted in FIG. 1;  
FIG. 9 is a perspective rear/top/left view of the sensor depicted in FIG. 1; and,  
FIG. 10 is a rear/top view of the sensor depicted in FIG. 1.  
The broken-line showing of structural features is included for the purpose of illustrating non-claimed subject matter and forms no part of the claimed design.

**1 Claim, 9 Drawing Sheets**

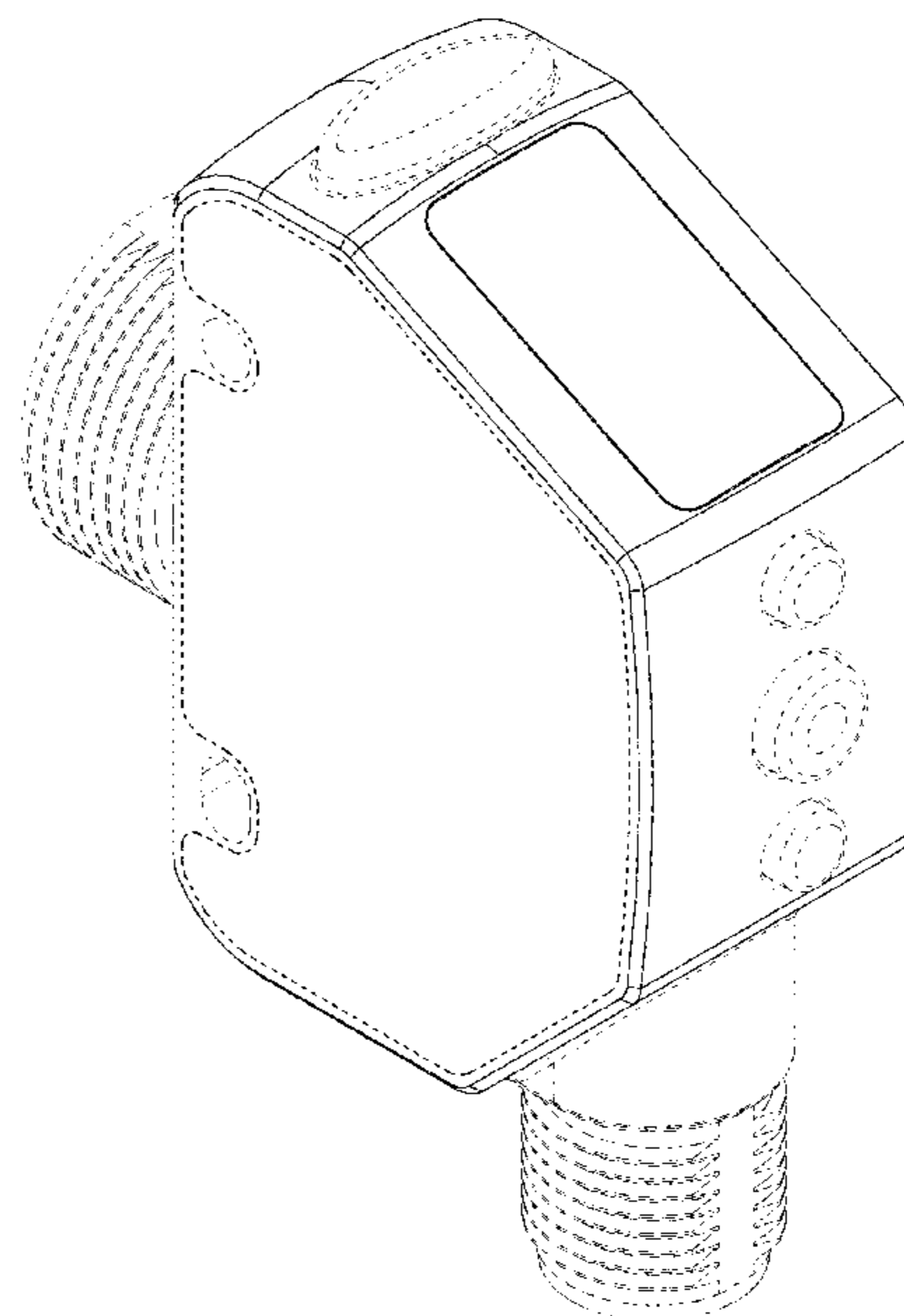
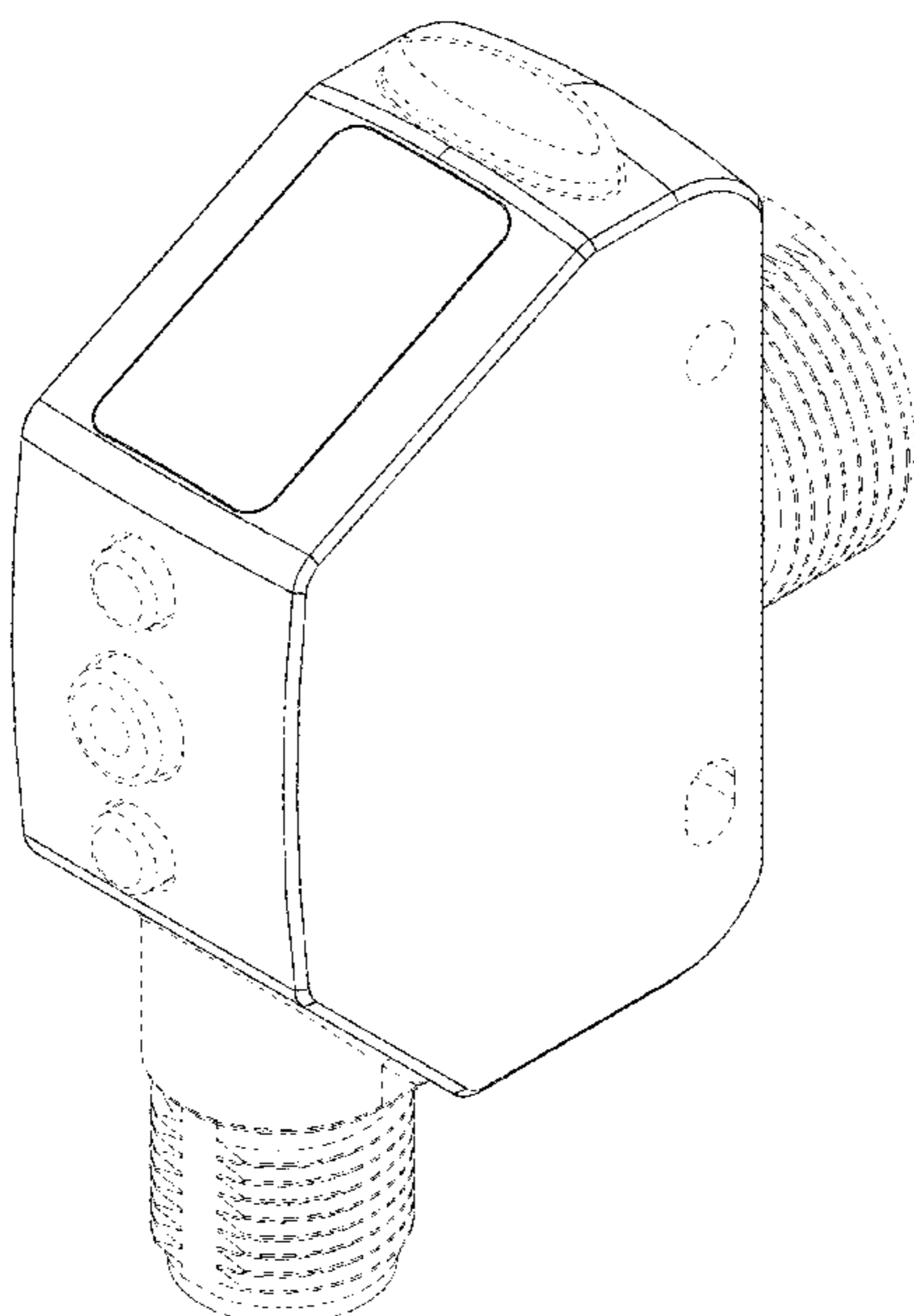


FIG. 1

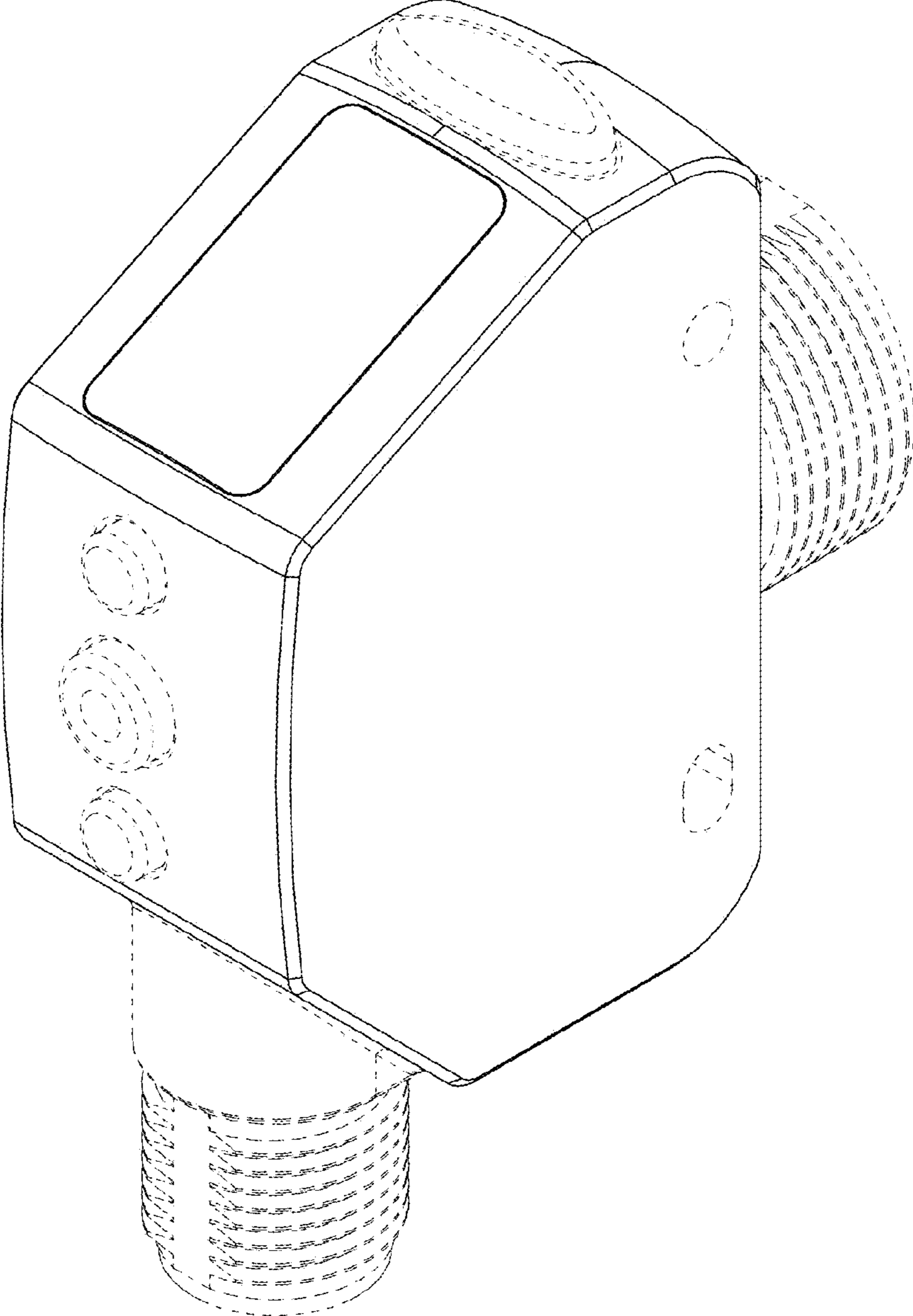


FIG. 2

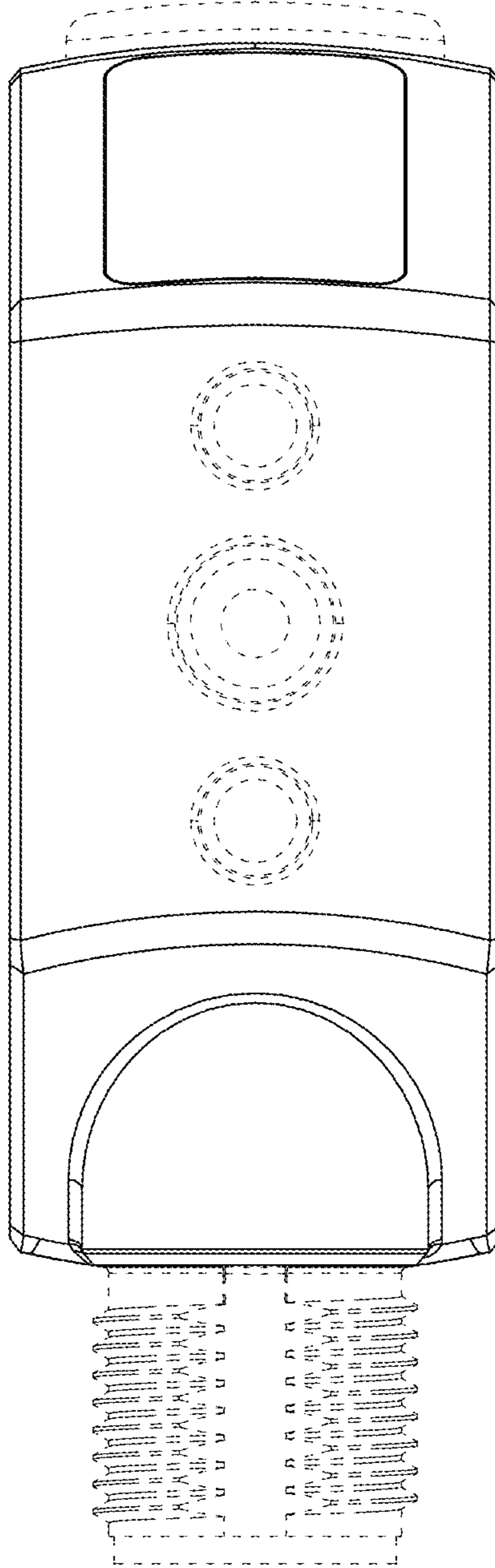


FIG. 3

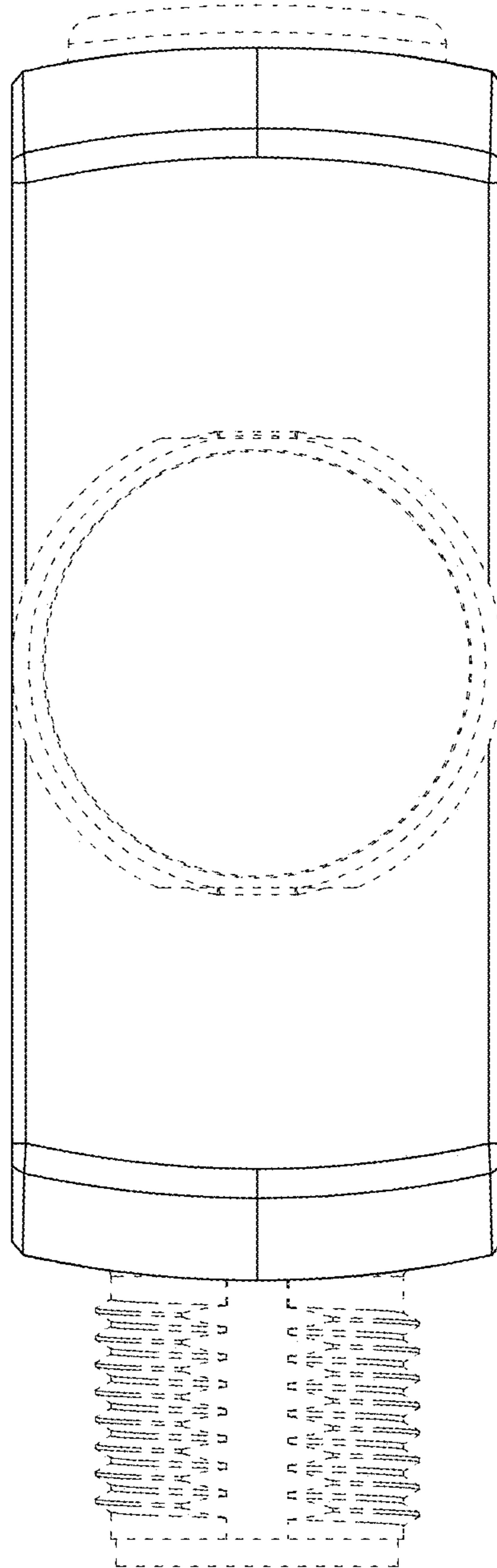


FIG. 4

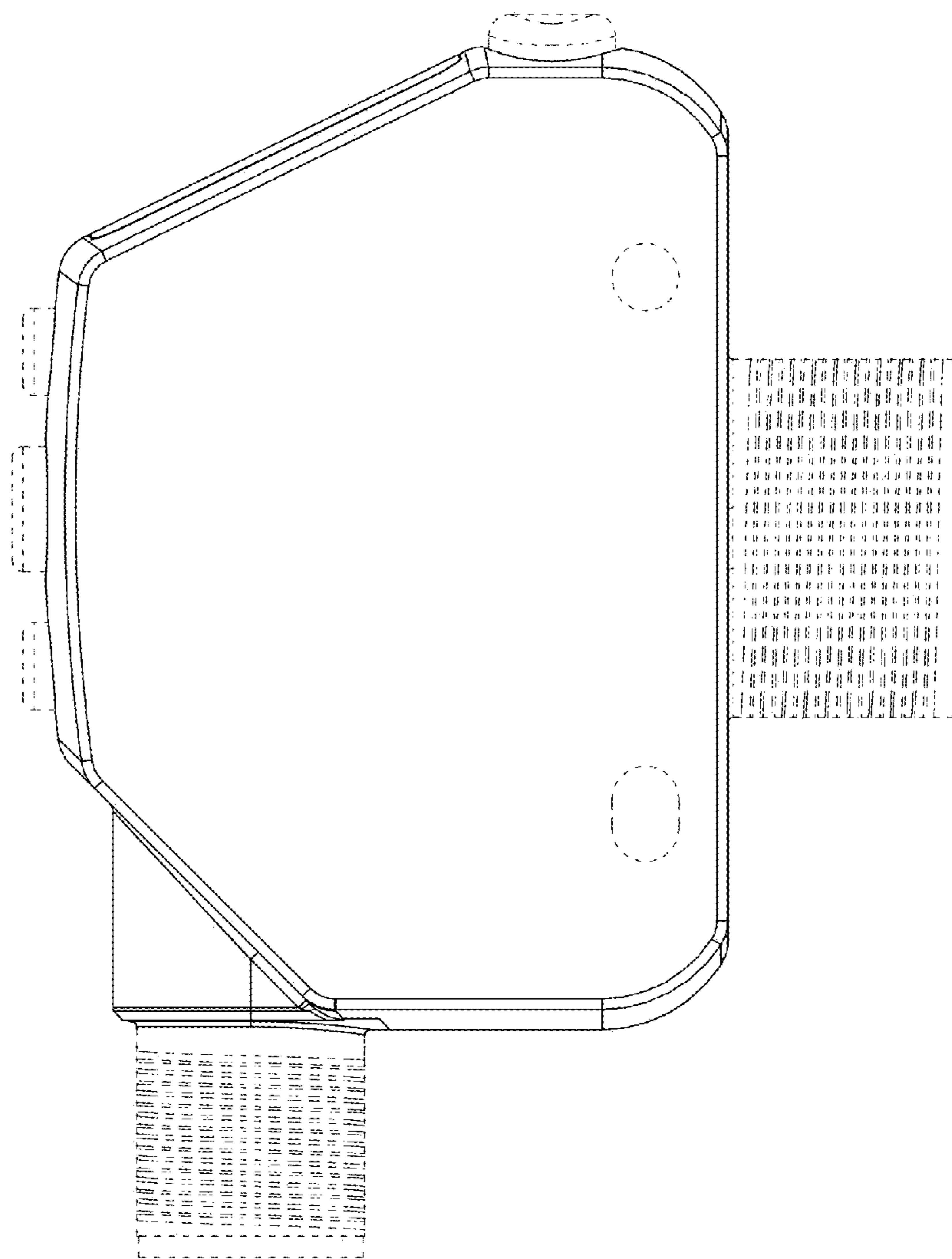


FIG. 5

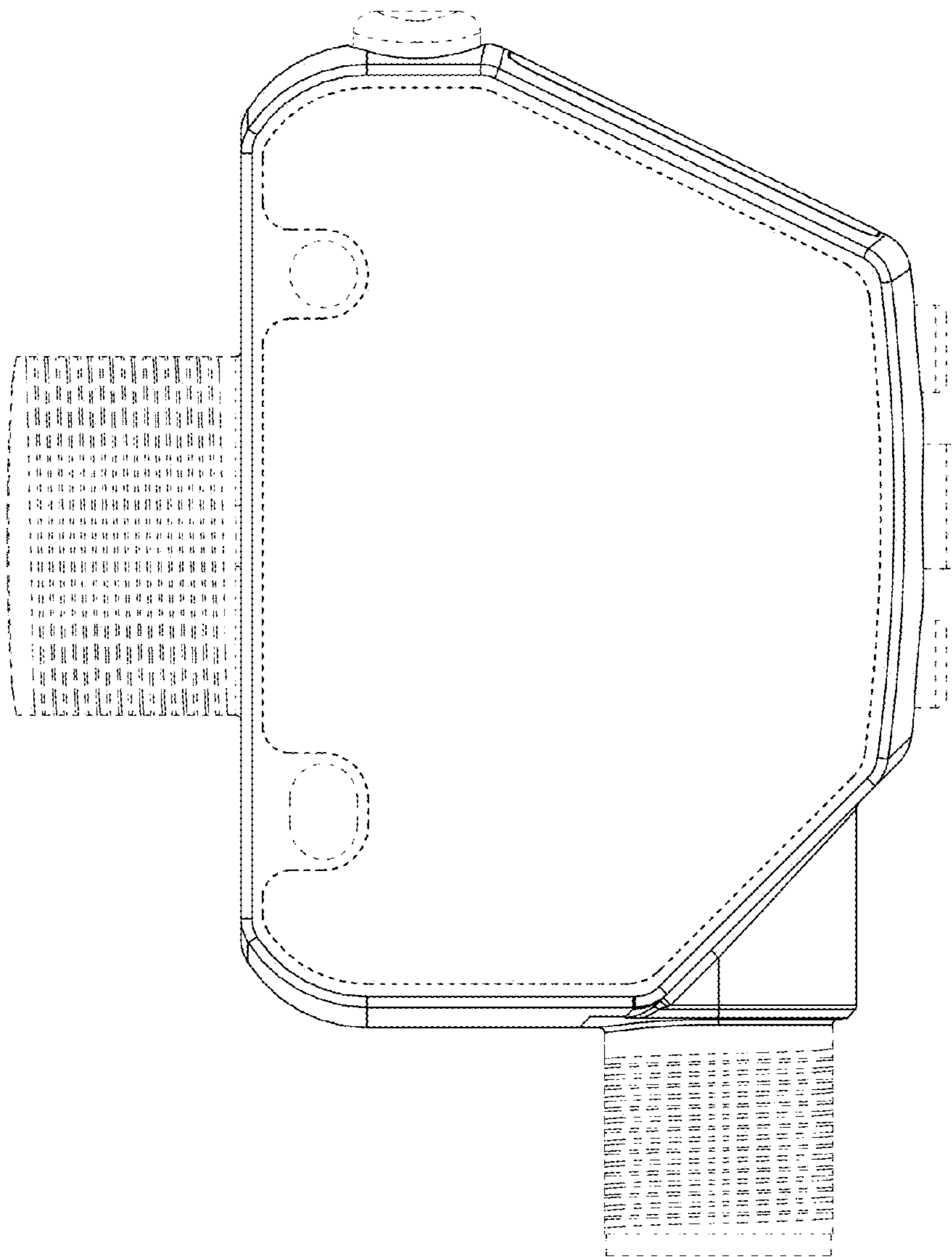


FIG. 6

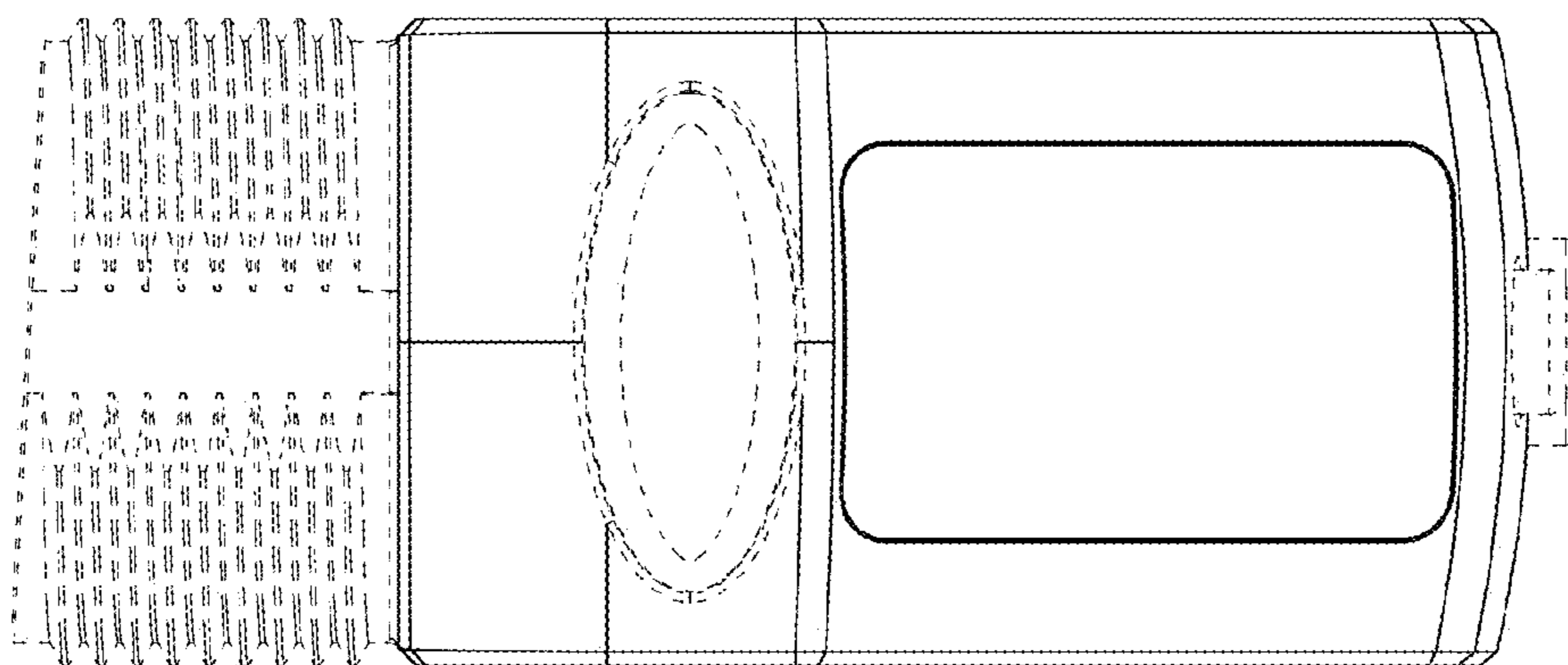


FIG. 7

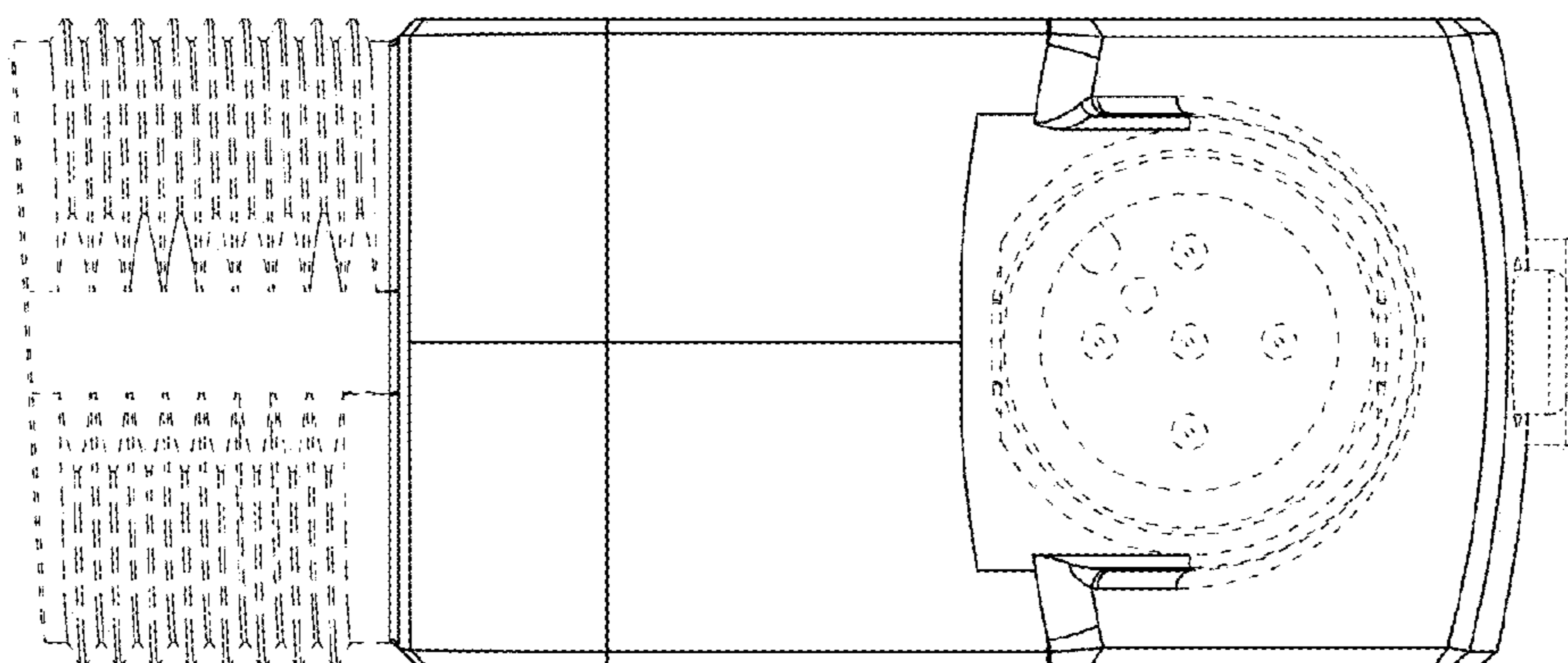


FIG. 8

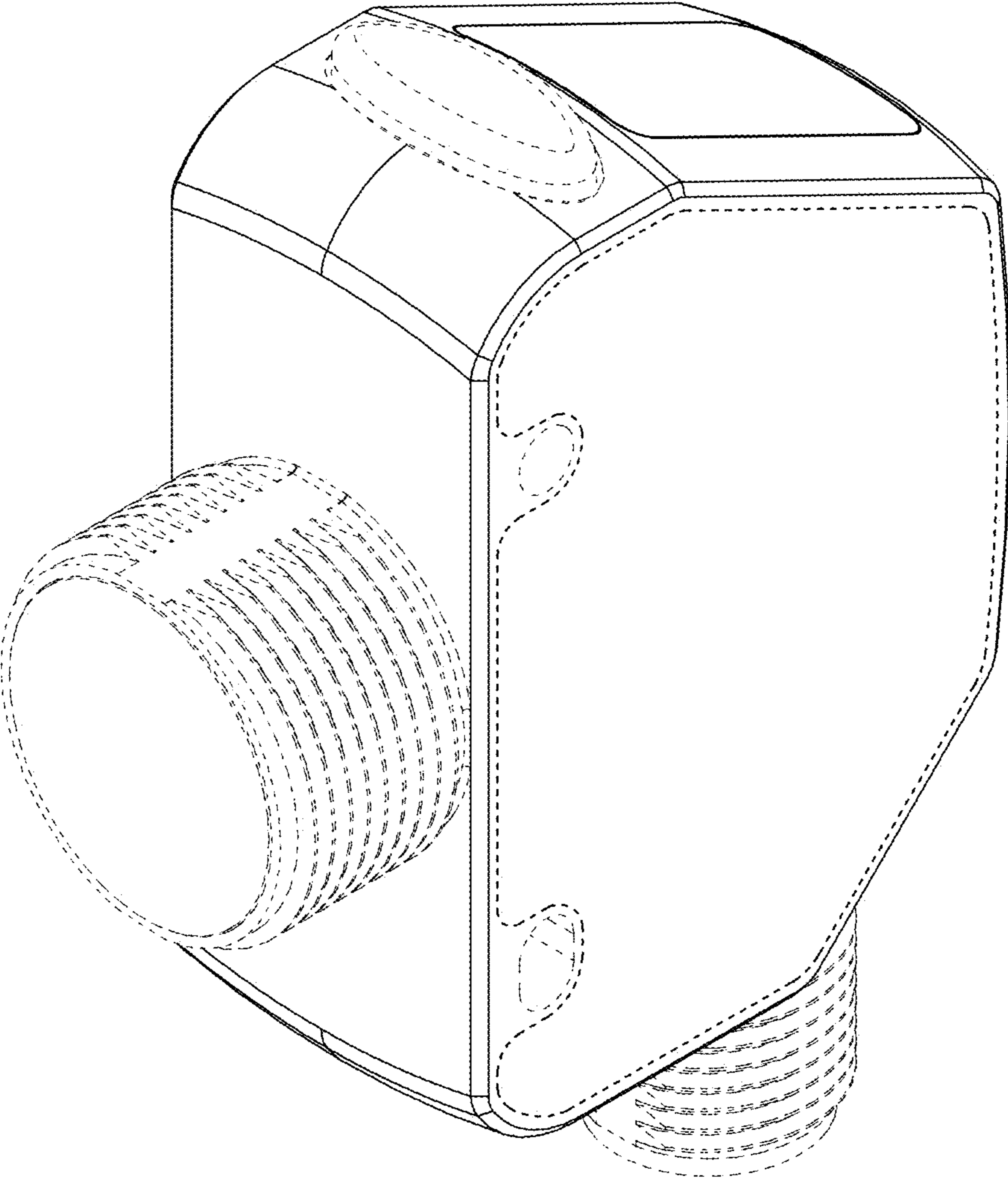




FIG. 9

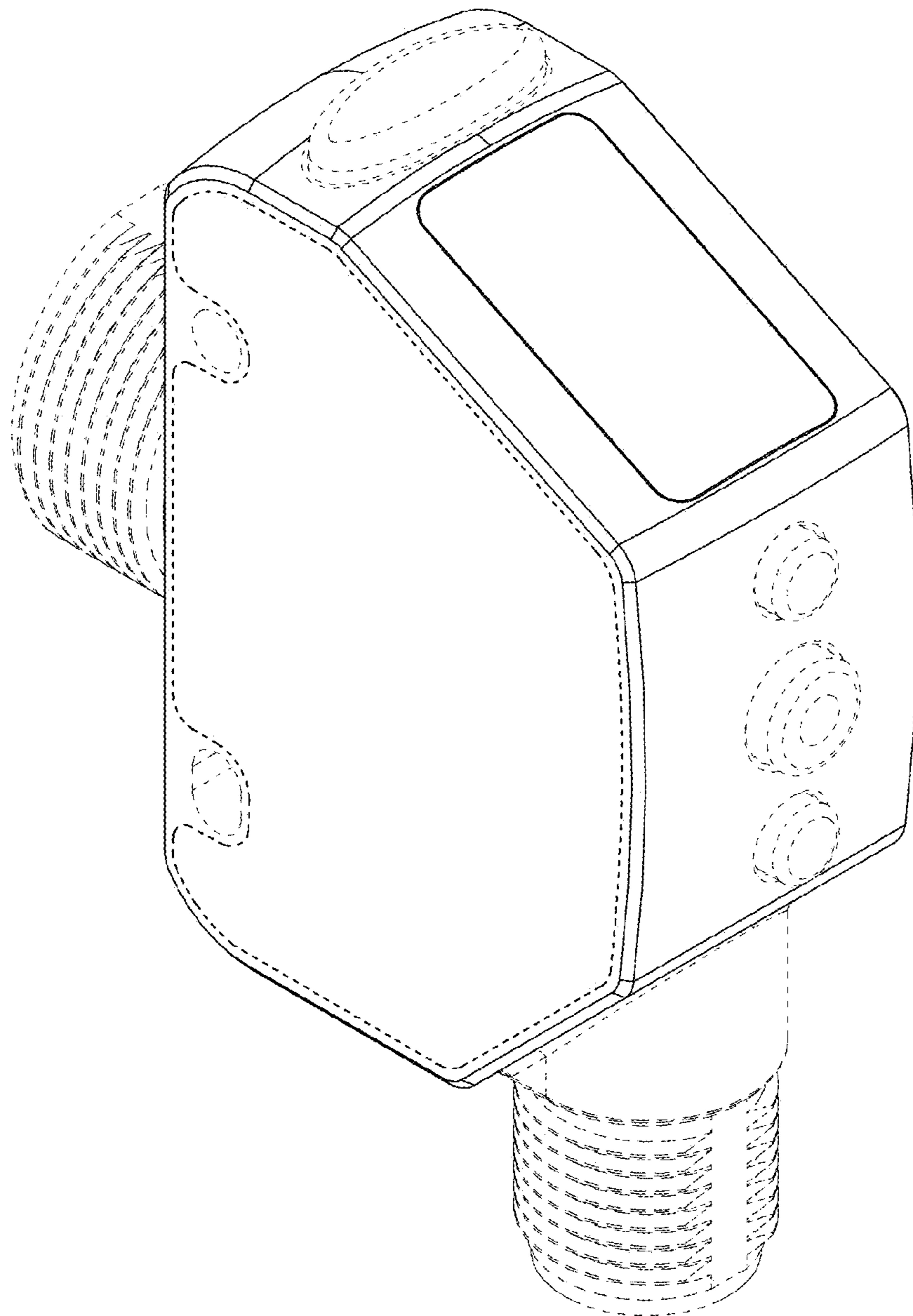


FIG. 10

