



US00D748505S

(12) **United States Design Patent**
Watson

(10) **Patent No.:** **US D748,505 S**
(45) **Date of Patent:** **** Feb. 2, 2016**

(54) **ADJUSTABLE TEMPLATE FOR MEASURING AND REPLICATING ANGLES**

(71) Applicant: **Coy Watson**, Crossville, TN (US)

(72) Inventor: **Coy Watson**, Crossville, TN (US)

(**) Term: **14 Years**

(21) Appl. No.: **29/504,063**

(22) Filed: **Oct. 1, 2014**

(51) **LOC (10) Cl.** **10-04**

(52) **U.S. Cl.**
USPC **D10/65; D10/70; D10/71**

(58) **Field of Classification Search**
USPC D10/61, 62, 64, 65, 70, 71, 73
CPC G01B 3/08; G01B 3/30; G01B 3/303;
G01B 3/306

See application file for complete search history.

(56) **References Cited**

U.S. PATENT DOCUMENTS

2,232,824	A *	2/1941	Maher	33/809
2,350,881	A *	6/1944	Dickerman	33/501
2,352,347	A	6/1944	Scrantom		
4,223,445	A	9/1980	Goodland		
D276,897	S *	12/1984	Woods	D10/70
4,599,806	A	7/1986	Wright		
D320,569	S *	10/1991	Goldberg	D10/70
5,077,910	A	1/1992	Smith		
5,199,180	A *	4/1993	Yablonsky	33/501.45
5,205,045	A	4/1993	Liu		
5,351,414	A *	10/1994	Cogliano	33/719
5,440,818	A	8/1995	Mailhot		
5,461,794	A	10/1995	Huang		
D378,990	S *	4/1997	Mills	D10/65
5,809,659	A	9/1998	Martin		
6,105,267	A	8/2000	Hathaway		
6,105,268	A	8/2000	Vaughn et al.		
6,260,283	B1	7/2001	Abernathy et al.		

6,314,652	B1	11/2001	English		
6,393,715	B1 *	5/2002	Ihle	33/669
6,442,856	B1	9/2002	Warner		
6,467,179	B1	10/2002	Wolf		
RE38,032	E	3/2003	Butwin		
6,536,124	B1	3/2003	Eskew et al.		
6,604,294	B1	8/2003	Farley		
6,820,345	B2	11/2004	Evans		
6,829,837	B2	12/2004	Williams		
6,954,990	B2	10/2005	Ellis		
7,051,446	B2	5/2006	Moss		
D540,202	S *	4/2007	Welch	D10/64
7,243,436	B2	7/2007	Casner et al.		
7,269,909	B1	9/2007	Barbieri		
D605,958	S *	12/2009	Tartala	D10/65
D639,685	S *	6/2011	Dahlin et al.	D10/70
7,997,001	B1 *	8/2011	Mekid	33/783
D722,898	S *	2/2015	Bailey	D10/70
D735,061	S *	7/2015	Laforest et al.	D10/46
2014/0068954	A1 *	3/2014	Al-Dhafiri	33/21.1

* cited by examiner

Primary Examiner — Antoine D Davis

(74) *Attorney, Agent, or Firm* — Luedeka Neely Group, P.C.

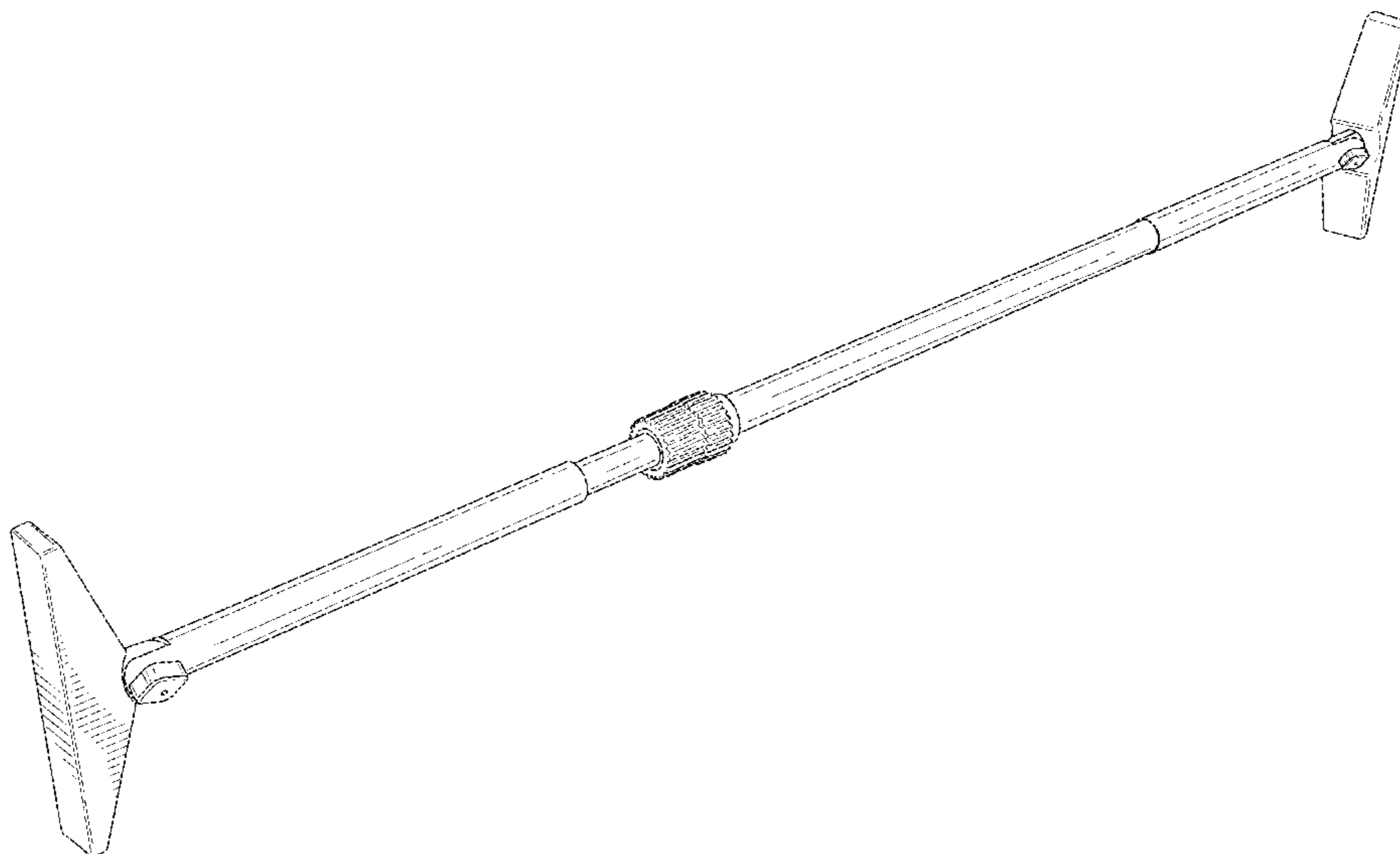
(57) **CLAIM**

The ornamental design of an adjustable template for measuring and replicating angles, as shown and described.

DESCRIPTION

FIG. 1 is a perspective view of the adjustable template for measuring and replicating angles
FIG. 2 is a top plan view of the adjustable template;
FIG. 3 is a bottom plan view of the adjustable template;
FIG. 4 is a left side view of the adjustable template;
FIG. 5 is a right side view of the adjustable template;
FIG. 6 is an end view of the adjustable template; and,
FIG. 7 is an end view of the adjustable template from the opposite direction as shown in FIG. 6.

1 Claim, 4 Drawing Sheets



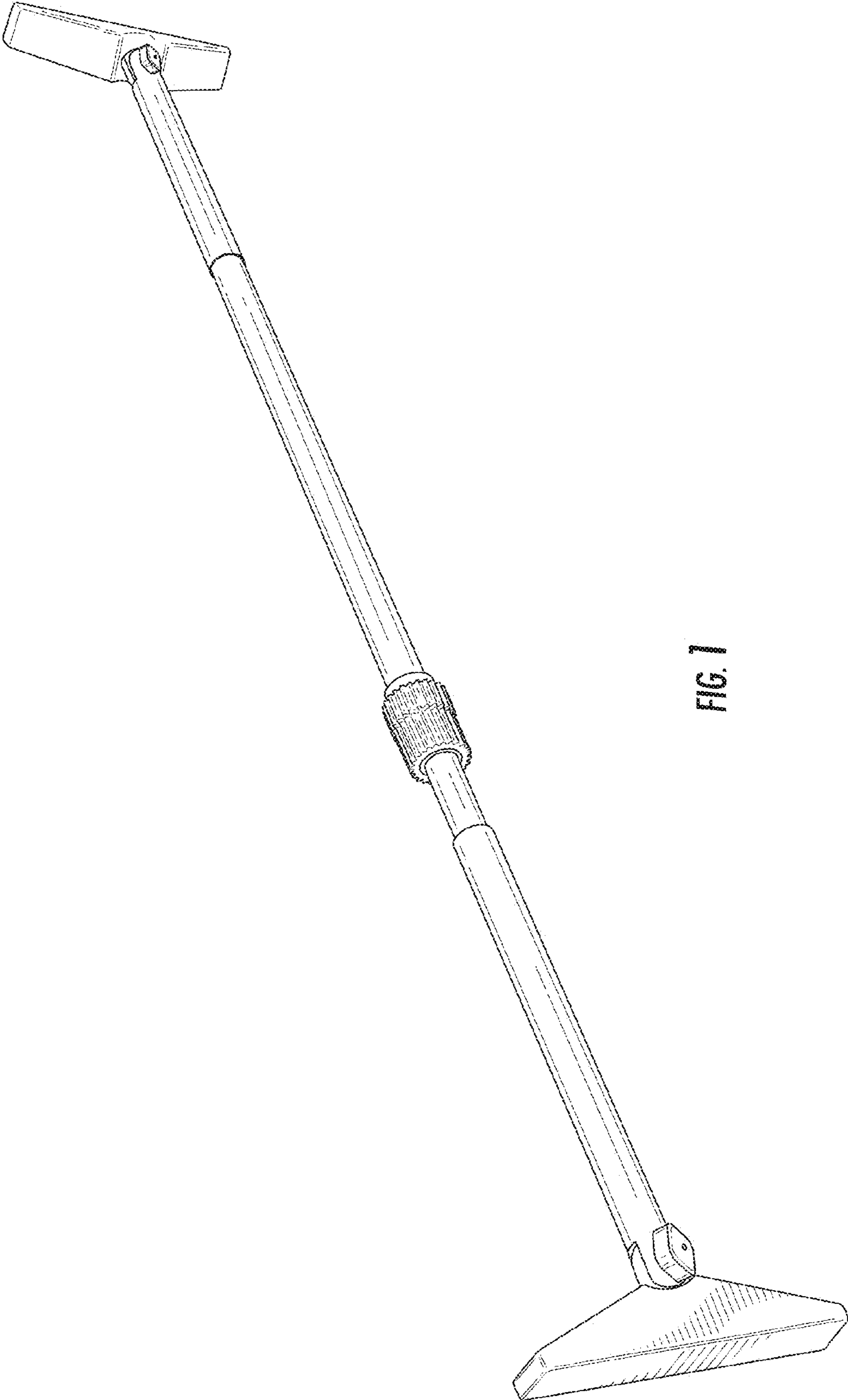


FIG. 1

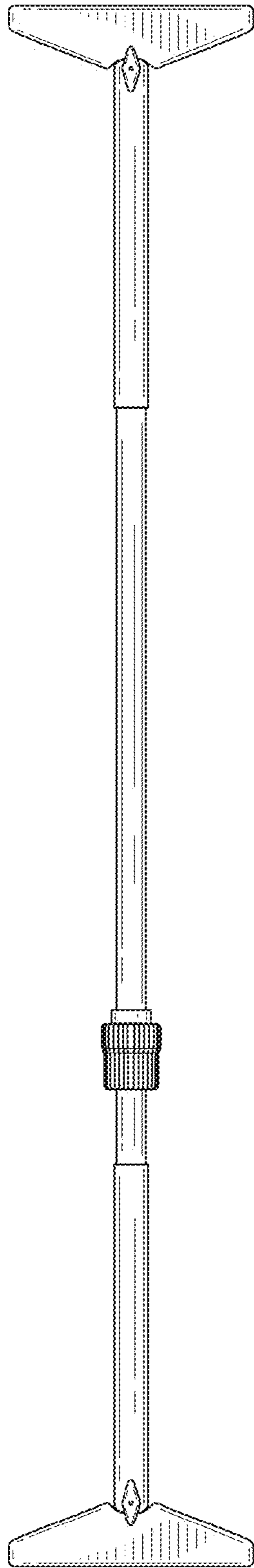


FIG. 2

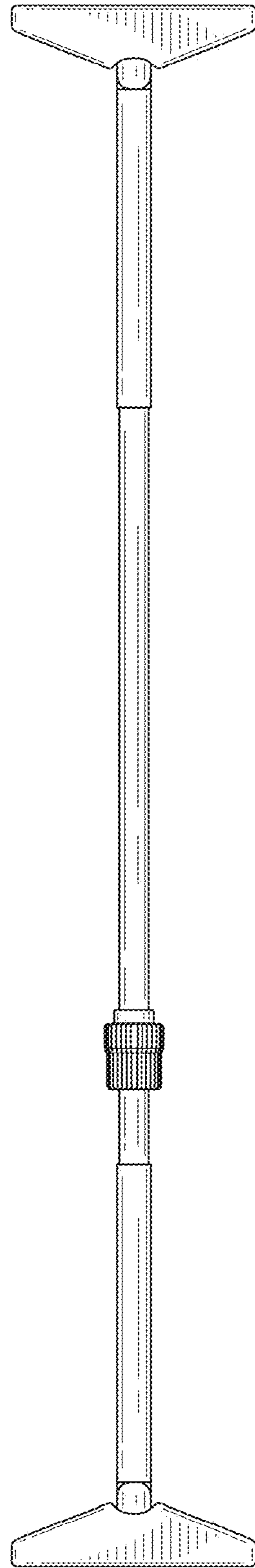


FIG. 3

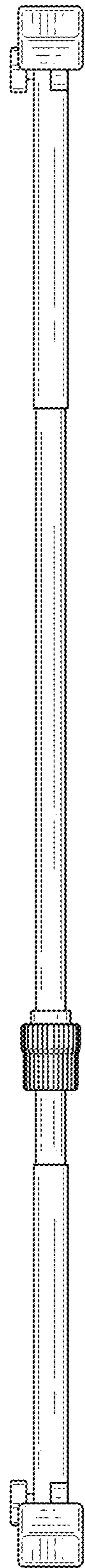


FIG. 4

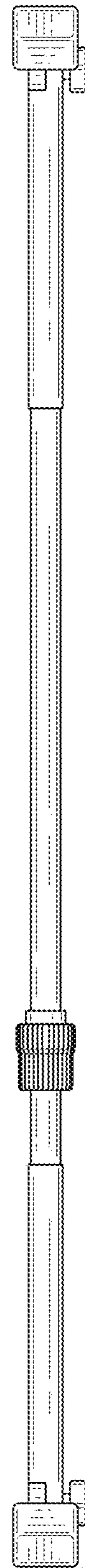


FIG. 5

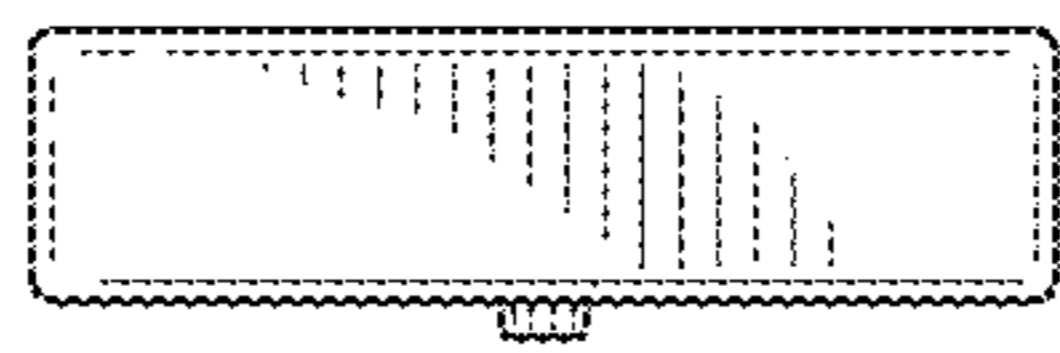


FIG. 6

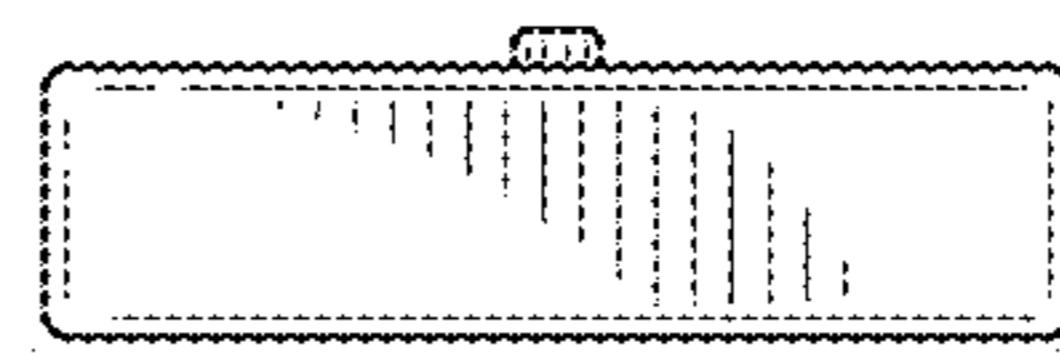


FIG. 7