



US00D748504S

(12) **United States Design Patent**
Rump

(10) **Patent No.:** **US D748,504 S**

(45) **Date of Patent:** **** Feb. 2, 2016**

- (54) **CONTROLLER FACE PANEL**
- (71) Applicant: **Georg Rump**, Olsberg (DE)
- (72) Inventor: **Georg Rump**, Olsberg (DE)
- (73) Assignee: **OVENTROP GMBH & CO. KG**,
Olsberg (DE)

(**) Term: **14 Years**

(21) Appl. No.: **29/499,499**

(22) Filed: **Aug. 15, 2014**

(30) **Foreign Application Priority Data**

Feb. 28, 2014 (DE) 40 2014 100 215

(51) **LOC (10) Cl.** **10-04**

(52) **U.S. Cl.**
USPC **D10/50**

(58) **Field of Classification Search**
USPC D10/49, 50
CPC F23N 5/20; F23N 5/203; F23N 5/206;
F23N 5/18; F23N 5/184; F23N 5/187; F23N
5/22; F23N 2025/12; F23N 2041/02; F24F
11/00; F24F 11/0012; F24F 11/0009; F24F
11/001; F24F 2011/0057; F24F 2011/0073;
F24F 2011/0091

See application file for complete search history.

(56) **References Cited**

U.S. PATENT DOCUMENTS

5,573,180	A *	11/1996	Werbowsky et al.	236/46 R
D582,800	S *	12/2008	Comerford et al.	D10/50
D595,161	S *	6/2009	Fisher et al.	D10/50
D716,752	S *	11/2014	Katori et al.	D14/140
D733,590	S *	7/2015	Primiani et al.	D10/50
D733,591	S *	7/2015	Golden et al.	D10/50
2003/0004729	A1 *	1/2003	Allen et al.	704/275
2003/0103038	A1 *	6/2003	Wong et al.	345/158
2007/0029397	A1 *	2/2007	Mueller et al.	236/46 C
2007/0171341	A1 *	7/2007	Kim et al.	349/114

2008/0122472	A1 *	5/2008	Chen	324/765
2008/0143549	A1 *	6/2008	Grosspietsch et al. ...	340/815.53
2009/0122472	A1 *	5/2009	Wu	361/600
2009/0151973	A1 *	6/2009	Fujimoto et al.	174/50.5
2009/0277662	A1 *	11/2009	Shiue	174/50.51
2011/0132990	A1 *	6/2011	Lin et al.	236/46 R
2011/0284258	A1 *	11/2011	Chang et al.	174/50
2014/0142763	A1 *	5/2014	Hutchinson	700/276
2015/0094861	A1 *	4/2015	Choi et al.	700/276

* cited by examiner

Primary Examiner — Antoine D Davis

(74) *Attorney, Agent, or Firm* — Andrew Wilford

(57) **CLAIM**

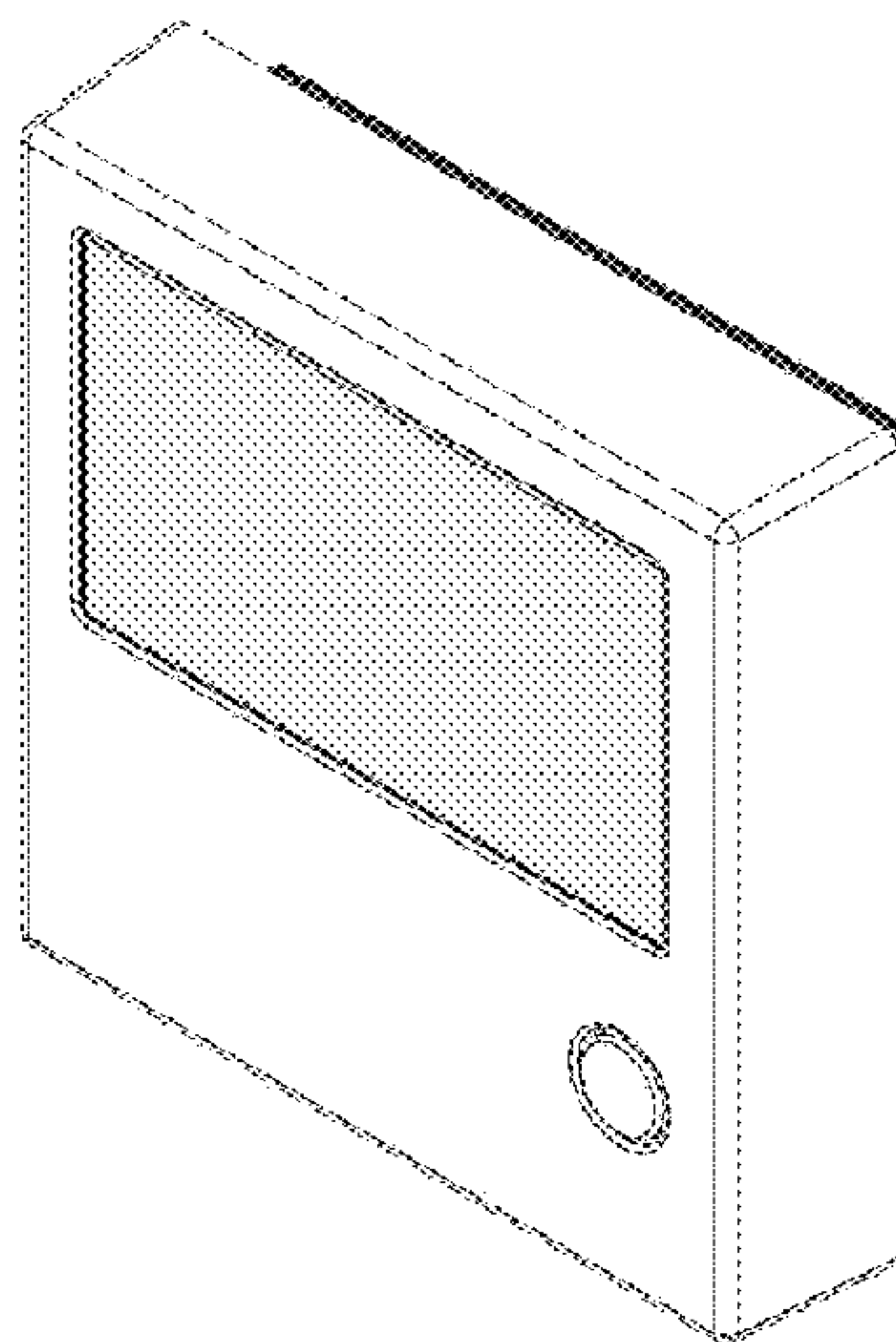
The ornamental design for a controller face panel, as shown and described.

DESCRIPTION

FIG. 1 is a front view of the invention;
 FIG. 2 is a front view like FIG. 1 but showing sample data, which is disclaimed, on a display of the face panel, shown in a condition of use;
 FIG. 3 is a perspective view of the face panel of FIGS. 1 and 2;
 FIG. 4 is a side view of the invention, the other side view being a mirror image thereof, and all structure rearward (to the left in FIG. 4) of the face panel being disclaimed;
 FIG. 5 is a top view of the invention, again all structure rearward (to the left in FIG. 5) of the face panel being disclaimed; and,
 FIG. 6 is a rear view of the invention where all structure inside the line showing the outside edge of the face panel is disclaimed.

The face panel of this invention is intended for use on a controller for a heat system. It normally displays data regarding conditions, for example temperature, relative humidity, and CO₂ level, in the region being controlled. It has a function-change button that can be actuated to allow different settings to be changed by use of unillustrated touch-control indicia and menus on the display.

1 Claim, 5 Drawing Sheets



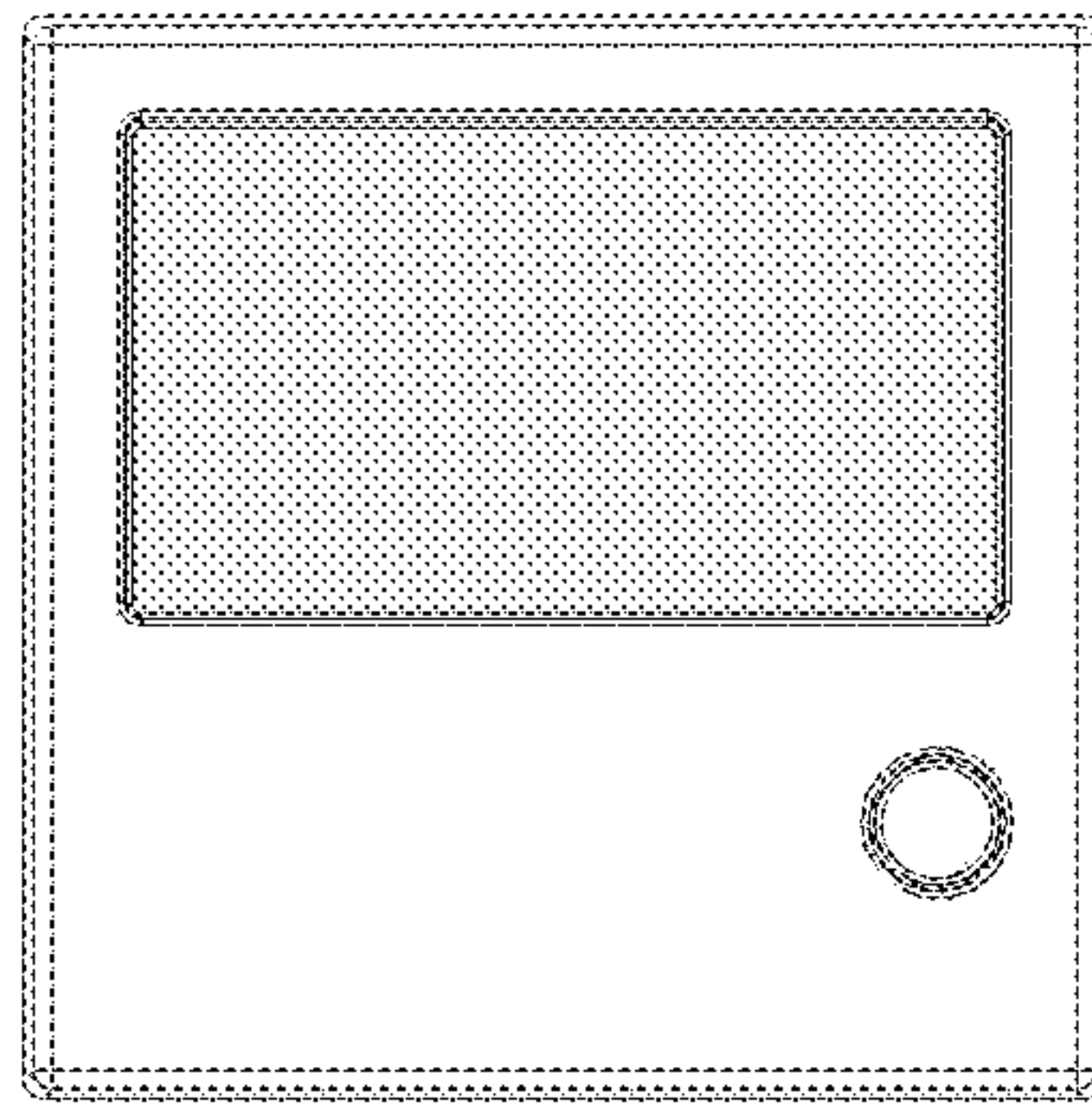


Fig. 1

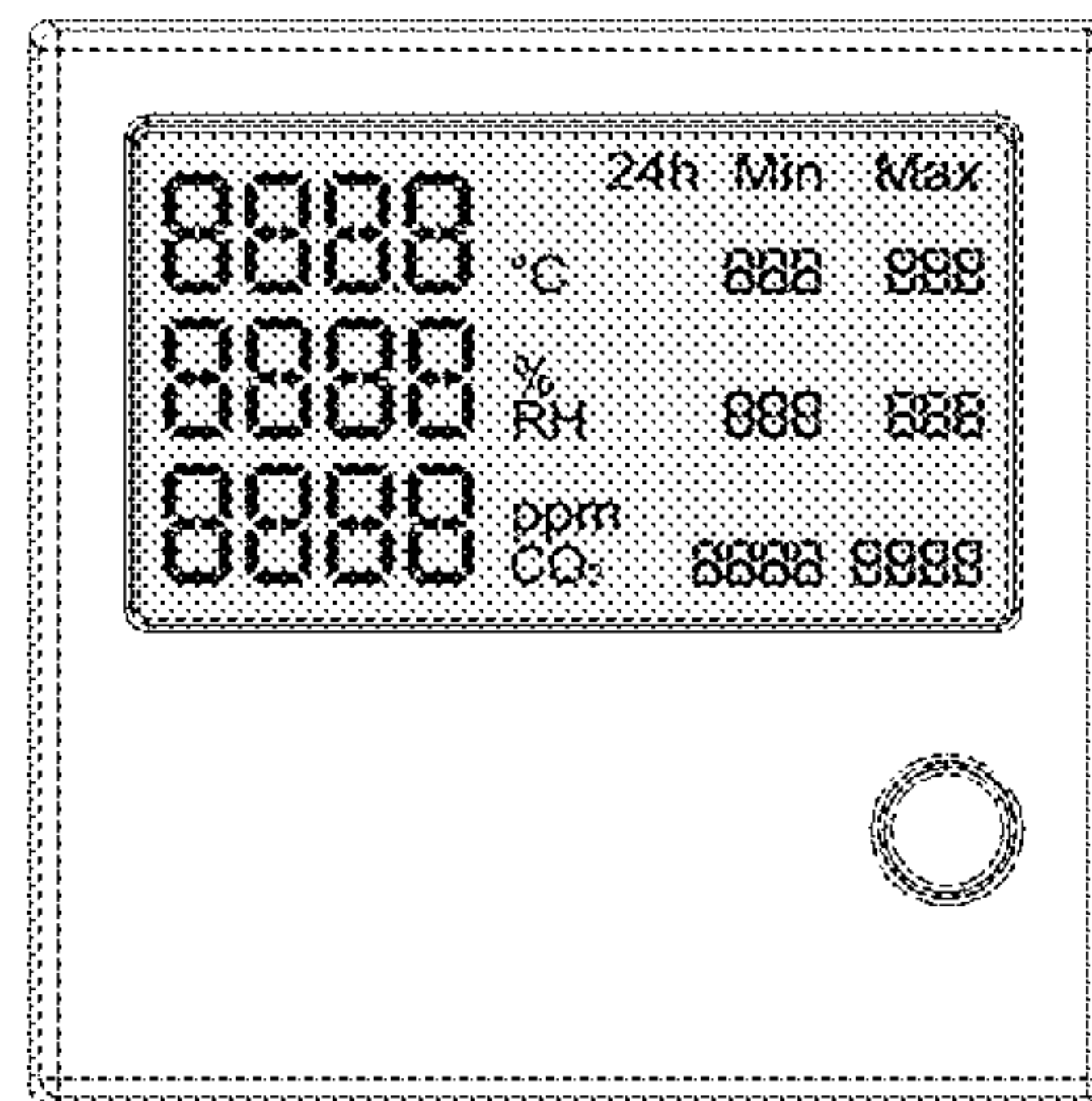


Fig. 2

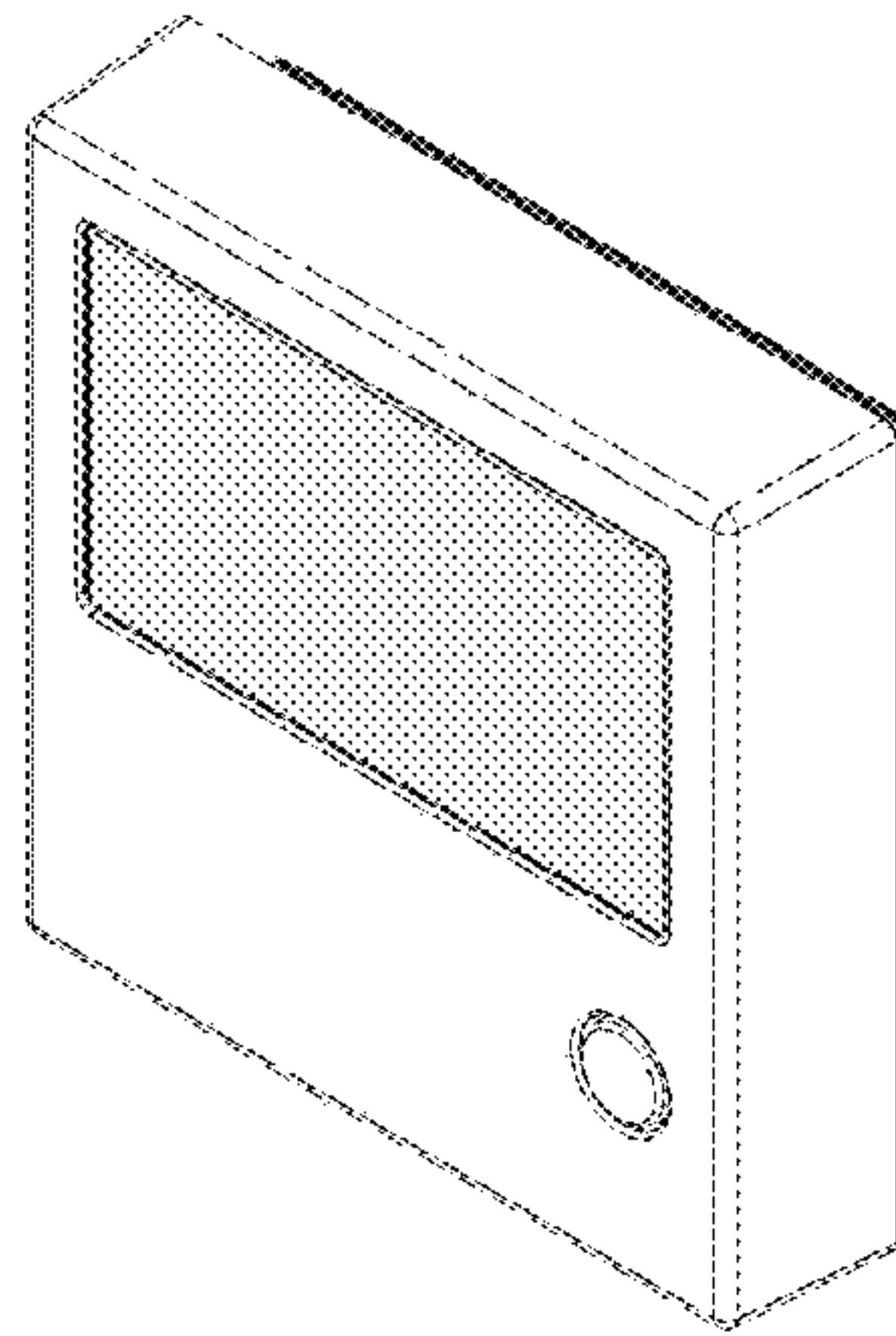


Fig. 3

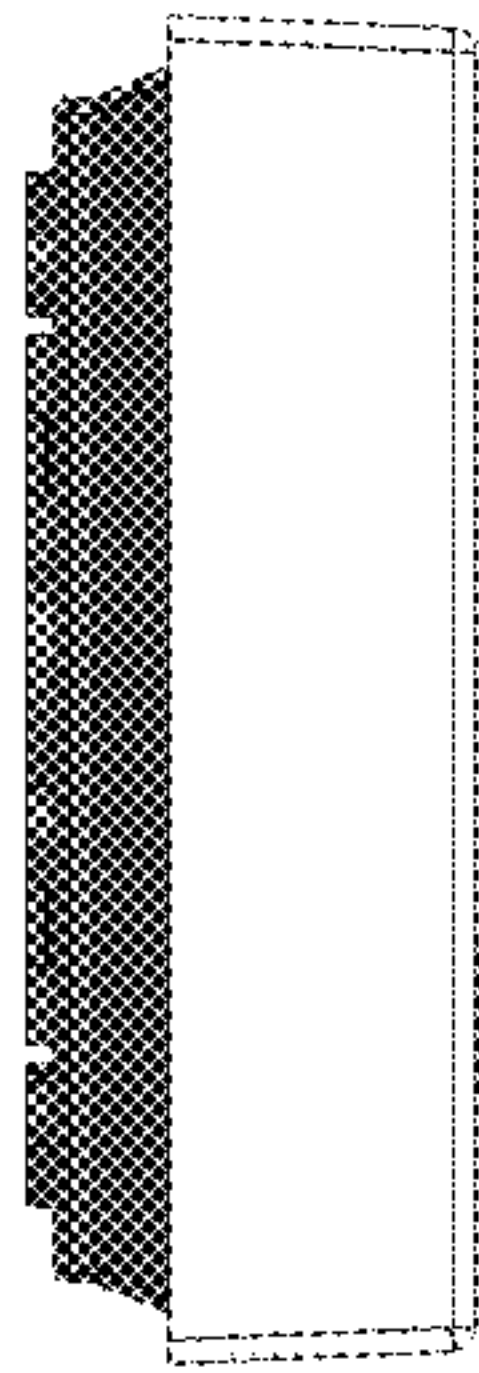


Fig. 4

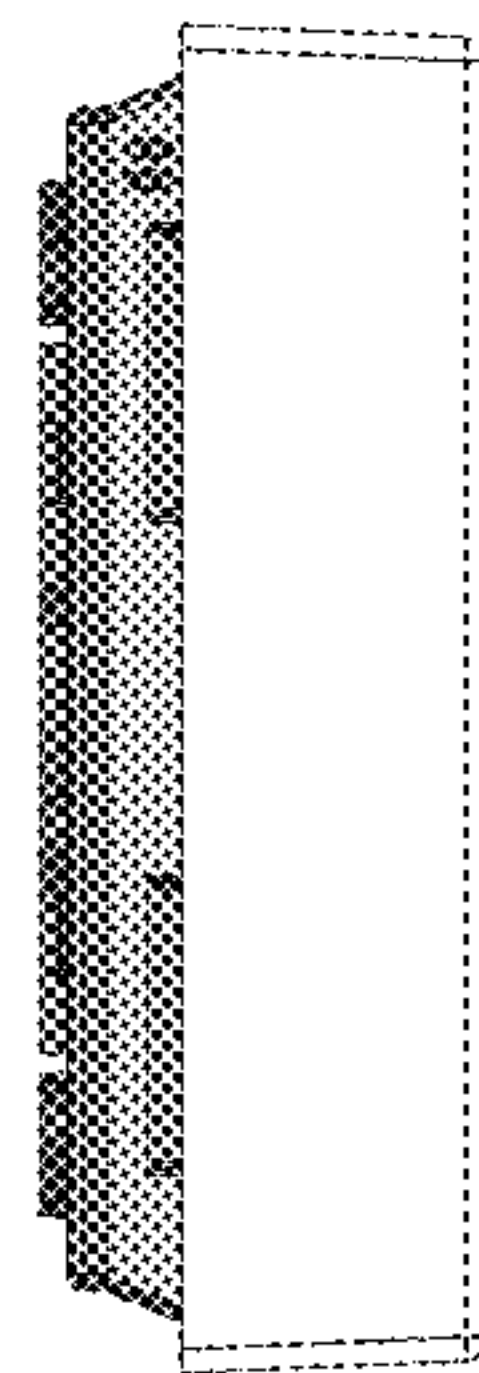


Fig. 5

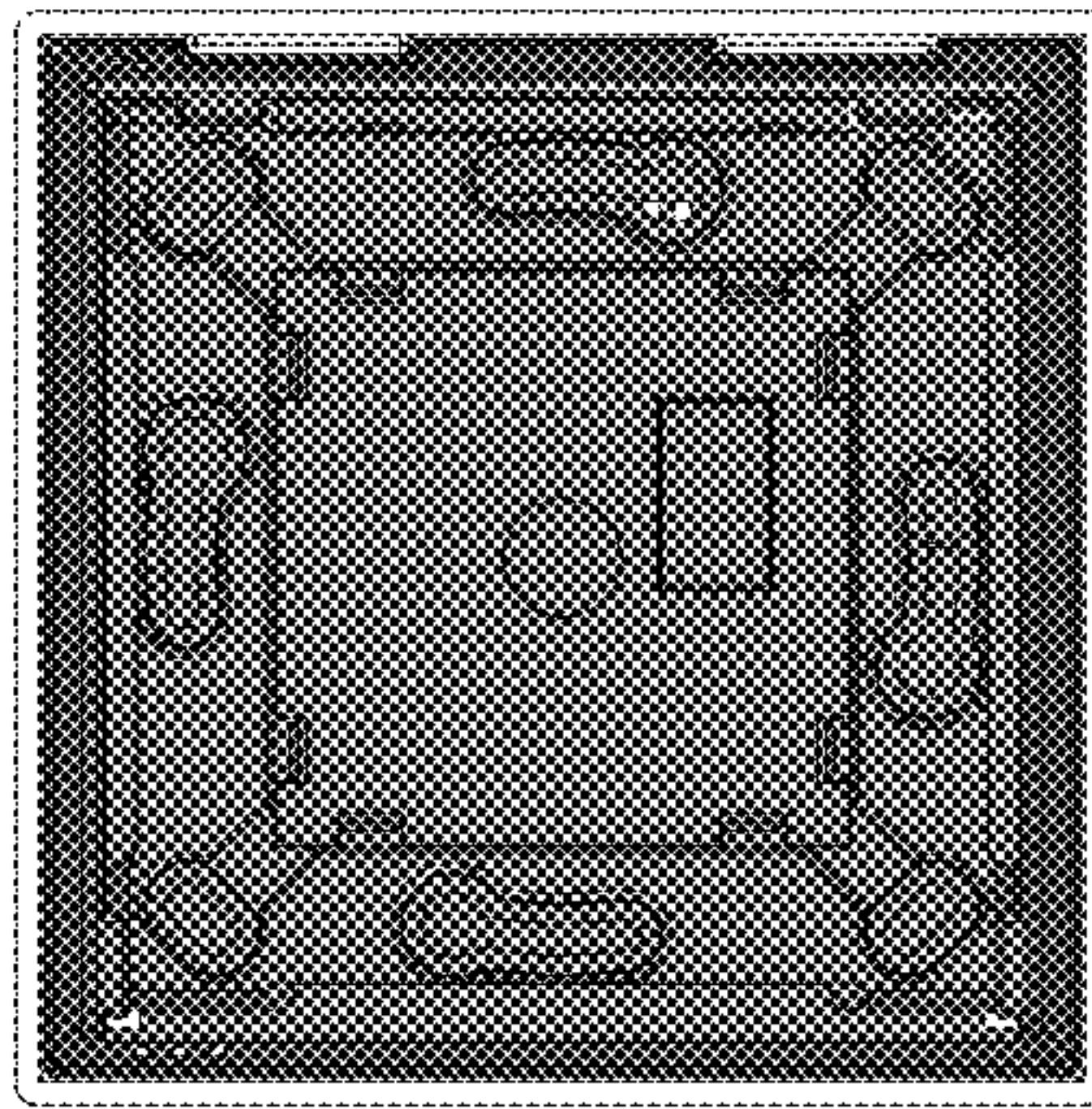


Fig. 6