



US00D748503S

(12) **United States Design Patent**
Gora

(10) **Patent No.:** **US D748,503 S**
(45) **Date of Patent:** **** Feb. 2, 2016**

- (54) **APPARATUS FOR DELIVERY OF A METERED DOSE OF GRANULAR MATERIAL**
- (71) Applicant: **Arthur Gerald Gora**, Fremont, CA (US)
- (72) Inventor: **Arthur Gerald Gora**, Fremont, CA (US)
- (**) Term: **14 Years**
- (21) Appl. No.: **29/501,215**
- (22) Filed: **Sep. 2, 2014**
- (51) **LOC (10) Cl.** **10-04**
- (52) **U.S. Cl.**
USPC **D10/46.2; D7/591**
- (58) **Field of Classification Search**
USPC D10/46.2, 46.3, 46; D7/589, 590, 591, D7/592, 597, 629, 691, 300, 300.1; D9/549, 504
CPC A47G 19/24; A47J 42/00; A47J 42/04; A47J 42/34; B65D 83/06
See application file for complete search history.

1,938,100 A	12/1933	Gessler	
1,941,745 A	1/1934	Higley	
1,982,094 A	11/1934	Gessler	
2,021,004 A	11/1935	Garrido	
2,022,031 A	11/1935	Fisher	
2,136,805 A	11/1938	Scharinger	
2,423,784 A	7/1947	Mackey	
2,604,235 A	7/1952	Teston	
2,644,616 A	7/1953	Gordon	
2,693,301 A	11/1954	Allen, Jr.	
2,704,623 A	3/1955	Yasso	
D177,373 S *	4/1956	Gilbert	D7/597
2,752,076 A	6/1956	Locker	
2,980,297 A	4/1961	Tucci	
3,172,580 A	3/1965	Mackey	
3,229,856 A	1/1966	Jungmann	
3,258,177 A	6/1966	Ellis	
3,323,683 A	6/1967	Cianciolo	
3,344,962 A	10/1967	Popivalo	
3,353,725 A	11/1967	Caceres	
3,398,857 A	8/1968	Alio	
4,201,320 A	5/1980	Eppenbach	
D259,090 S *	5/1981	Cowan	D7/596
4,424,921 A	1/1984	Feuerstein et al.	

(Continued)

Primary Examiner — George D Kirschbaum
Assistant Examiner — Clese Moore, Jr.
(74) *Attorney, Agent, or Firm* — Sawyer Law Group, P.C.

(56) **References Cited**
U.S. PATENT DOCUMENTS

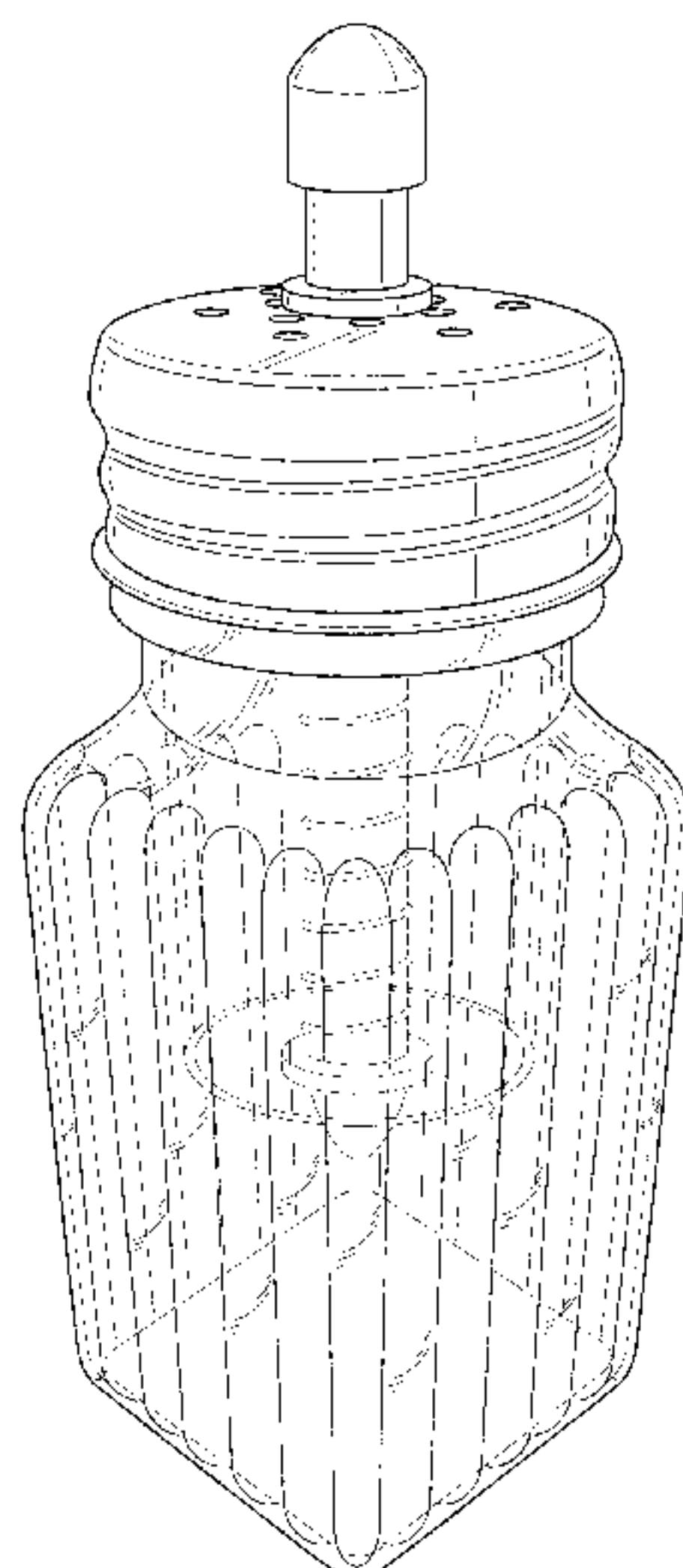
576,241 A	2/1897	Van Ame
845,347 A	2/1907	Gesell
897,453 A	9/1908	Byam
903,548 A	11/1908	De Hayes
913,027 A	2/1909	Meaker
934,493 A	9/1909	Wolkenstein
1,084,530 A	1/1914	Bettman
1,123,974 A	1/1915	Antoine et al.
1,270,262 A	6/1918	Buckland
1,618,688 A	2/1927	Tempest
1,707,967 A	4/1929	Abbott
1,727,799 A	9/1929	Abbott
1,763,449 A	6/1930	Trautvetter
1,877,808 A	9/1932	Cagliostro
1,891,787 A	12/1932	Swartz

(57) **CLAIM**
I claim, the ornamental design for an apparatus for delivery of a metered dose of granular material, as shown and described.

DESCRIPTION

FIG. 1 is a perspective view of an apparatus for delivery of a metered dose of granular material;
FIG. 2 is a first side view thereof;
FIG. 3 is a second side view thereof;
FIG. 4 is a third side view thereof;
FIG. 5 is a fourth side view thereof;
FIG. 6 is a top view thereof; and,
FIG. 7 is a bottom view thereof.

1 Claim, 6 Drawing Sheets



(56)

References Cited

U.S. PATENT DOCUMENTS

4,728,011	A	3/1988	Schuster et al.				
4,757,916	A	7/1988	Goncalves				
4,779,771	A	10/1988	Song				
4,790,453	A	12/1988	Fontana et al.				
4,828,149	A	5/1989	Hester				
D305,196	S *	12/1989	Persoff	D7/596			
4,951,839	A	8/1990	Kong				
4,961,521	A	10/1990	Eckman				
5,024,616	A	6/1991	Ogle, II				
D318,778	S *	8/1991	Fiore	D7/591			
D328,009	S *	7/1992	Kornick	D7/591			
5,169,049	A	12/1992	Krupic et al.				
D336,728	S *	6/1993	Ancona	D7/591			
D336,821	S *	6/1993	Ancona	D7/596			
D336,822	S *	6/1993	Ancona	D7/679			
5,346,105	A	9/1994	Onneweer				
D351,764	S *	10/1994	Johnson	D7/591			
5,454,487	A	10/1995	Vassiliou				
5,467,903	A	11/1995	Sorensen et al.				
5,601,213	A	2/1997	Daniello				
5,683,361	A	11/1997	Elk et al.				
5,711,463	A	1/1998	Chen et al.				
D401,115	S *	11/1998	Huang	D7/589			
5,839,619	A	11/1998	Willer				
5,894,965	A	4/1999	Robbins, III et al.				
D437,745	S *	2/2001	Young	D7/679			
D440,156	S *	4/2001	Lonczak	D7/597			
6,269,983	B1	8/2001	Jones et al.				
D451,812	S *	12/2001	Colonna de Giovellina ..	D9/516			
D452,119	S *	12/2001	Zeller	D7/591			
6,382,461	B1	5/2002	Olsson				
6,422,426	B1	7/2002	Robbins, III et al.				
6,494,350	B2	12/2002	Kelley				
6,516,973	B2	2/2003	Chrisman et al.				
D496,830	S *	10/2004	Hockey	D7/591			
6,948,641	B1	9/2005	Williams				
7,143,909	B2	12/2006	Peterson et al.				
D581,742	S *	12/2008	Krus	D7/591			
D588,872	S *	3/2009	Gospodarski	D7/591			
D602,785	S *	10/2009	Rothberg	D9/547			
D652,260	S *	1/2012	Miller	D7/592			
8,366,027	B2	2/2013	Antal et al.				
2001/0007327	A1	7/2001	Ritsche et al.				
2002/0066747	A1	6/2002	Argentieri et al.				
2005/0258189	A1	11/2005	Peterson et al.				

* cited by examiner

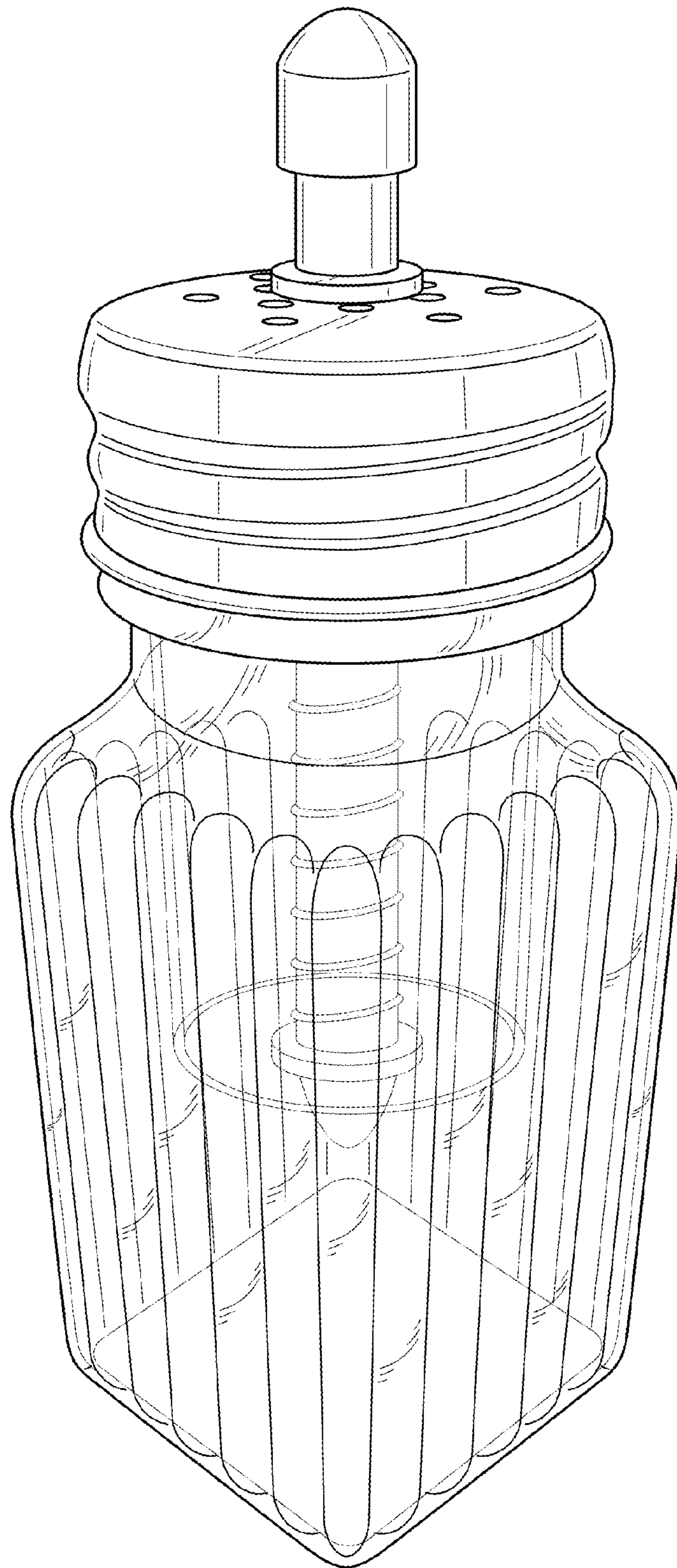


FIG. 1

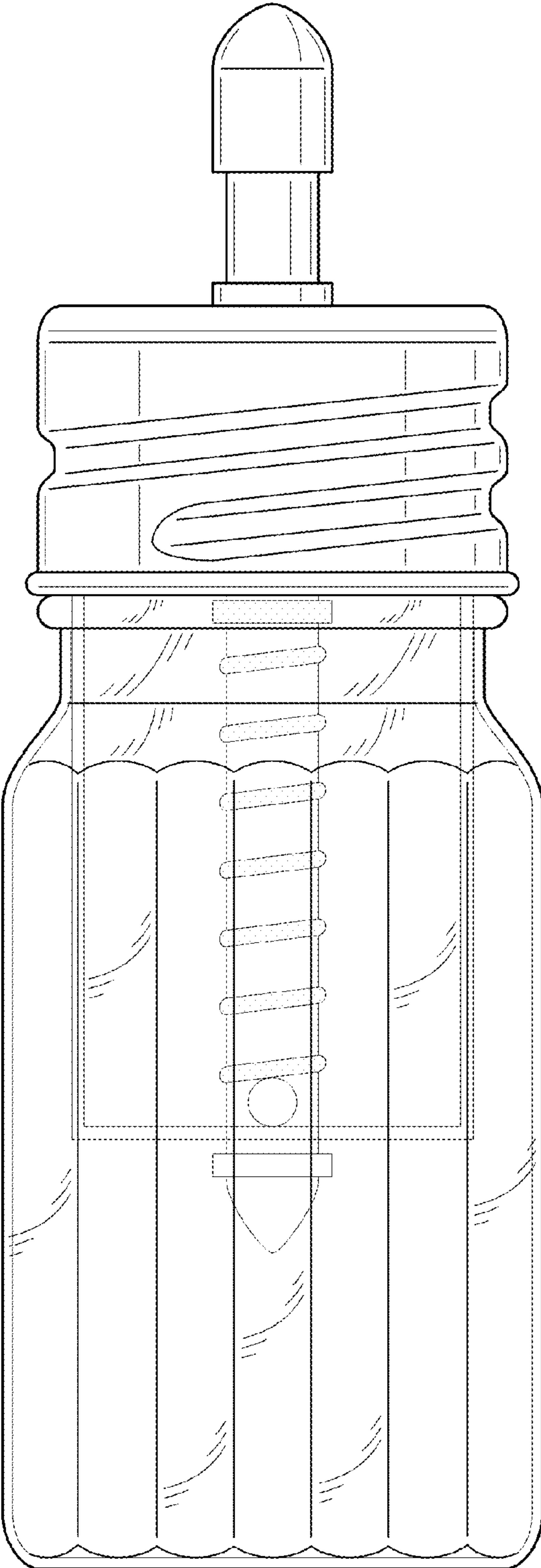


FIG. 2

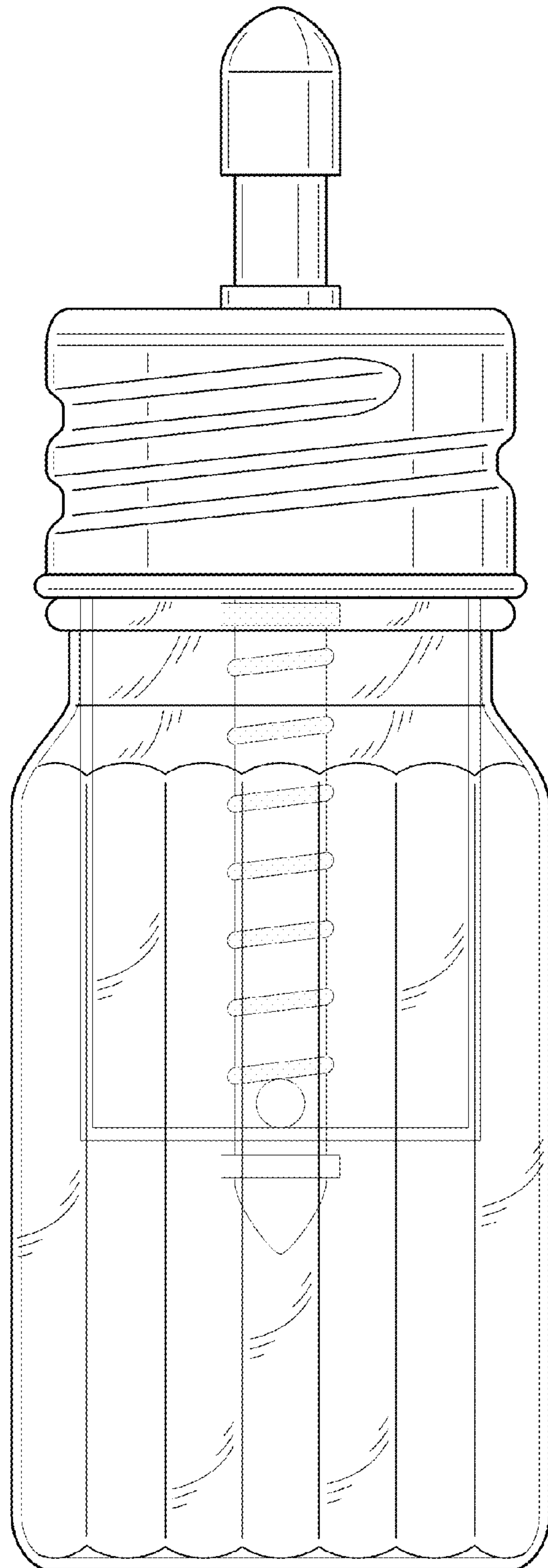


FIG. 3

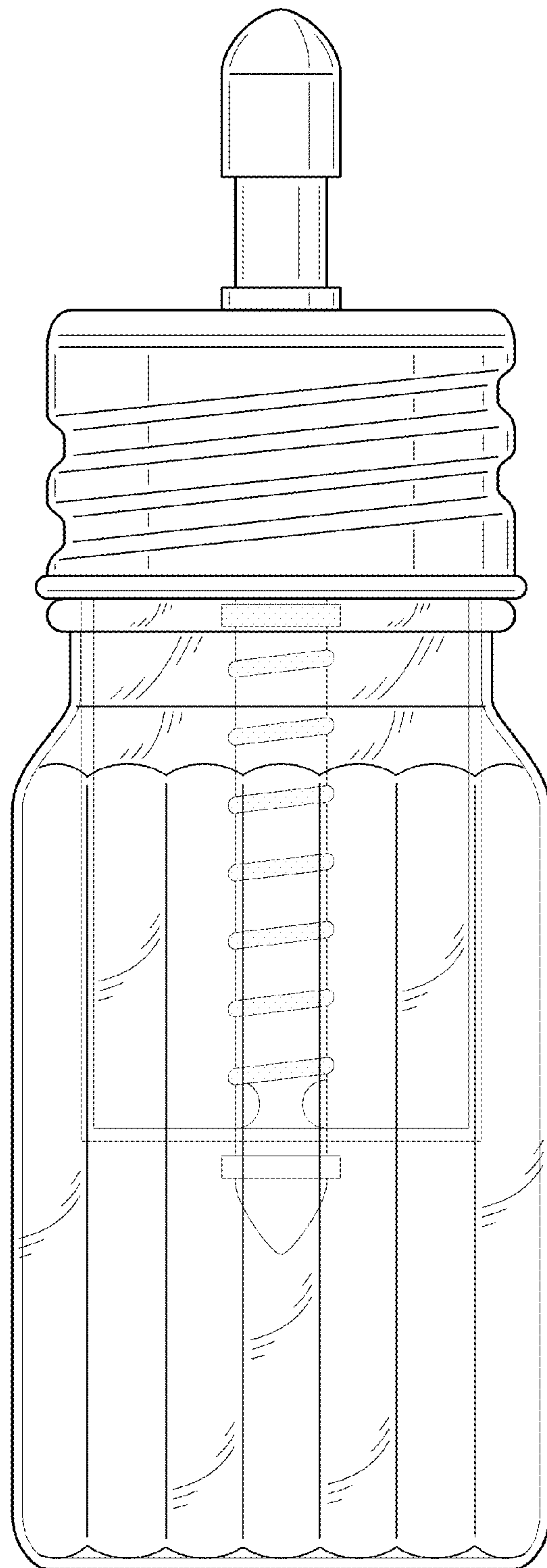


FIG. 4

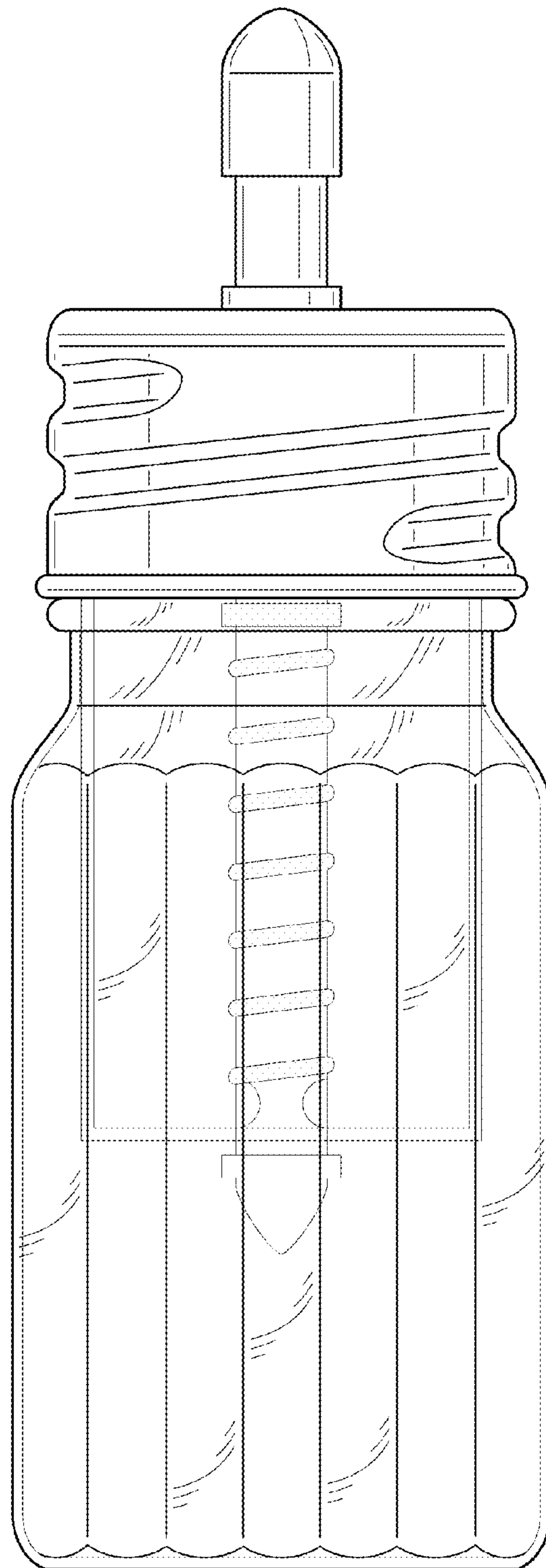


FIG. 5

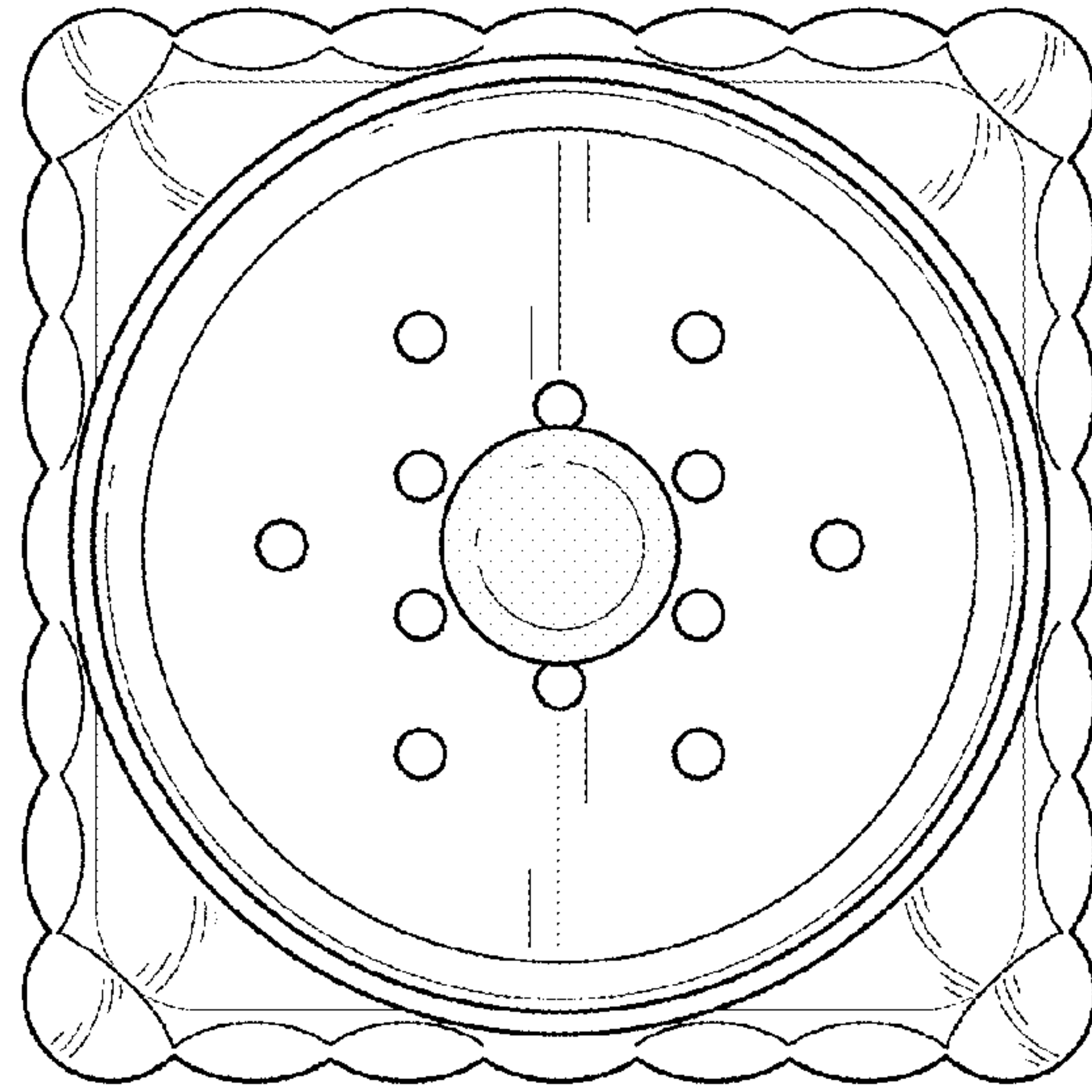


FIG. 6

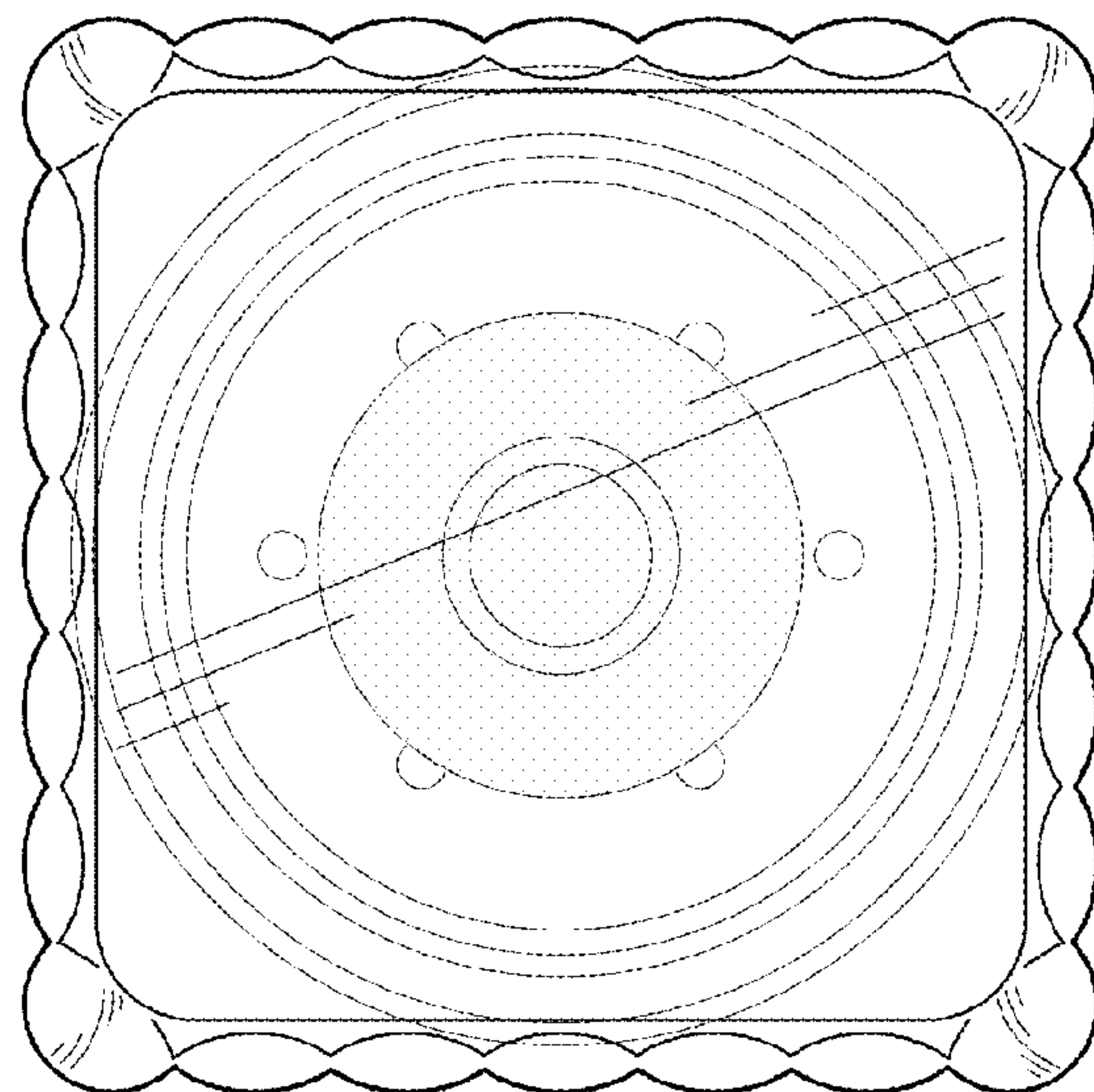


FIG. 7