



US00D748502S

(12) **United States Design Patent**
Rapko

(10) **Patent No.:** **US D748,502 S**
(45) **Date of Patent:** **** Feb. 2, 2016**

- (54) **WRIST WATCH CASE**
- (71) Applicant: **Thomas Rapko**, Santa Barbara, CA
(US)
- (72) Inventor: **Thomas Rapko**, Santa Barbara, CA
(US)
- (**) Term: **14 Years**
- (21) Appl. No.: **29/499,037**
- (22) Filed: **Aug. 11, 2014**
- (51) **LOC (10) Cl.** **10-02**
- (52) **U.S. Cl.**
USPC **D10/30; D10/38**
- (58) **Field of Classification Search**
USPC D10/30-39, 1-29, 122-132
CPC G04B 19/00; G04B 37/00; G04B 37/0008;
G04B 37/0058; G04B 39/00; G04G 17/00;
G04G 17/08
See application file for complete search history.

					368/10
D537,741	S *	3/2007	Gruosi-Scheufele	D10/39
D713,269	S *	9/2014	Rapko	D10/30
2006/0291334	A1 *	12/2006	Heck	G04G 17/08
					368/47
2009/0003141	A1 *	1/2009	Ozawa	G04G 17/08
					368/294
2010/0039905	A1 *	2/2010	Wu	G04B 39/00
					368/281

* cited by examiner

Primary Examiner — Martie K Holtje

(74) *Attorney, Agent, or Firm* — Gary E. Lambert; David J. Connaughton, Jr.; Lambert & Associates

(57) **CLAIM**

The ornamental design for a wrist watch case, as shown and described.

DESCRIPTION

FIG. 1 is a bottom right isometric view of the front of the wrist watch case, which embodies my design; FIG. 2 is a front elevation view thereof; FIG. 3 is a rear elevation view thereof; FIG. 4 is an end elevation view thereof; FIG. 5 is a side elevation view thereof; and, FIG. 6 is a second bottom right isometric view thereof, shown in use.

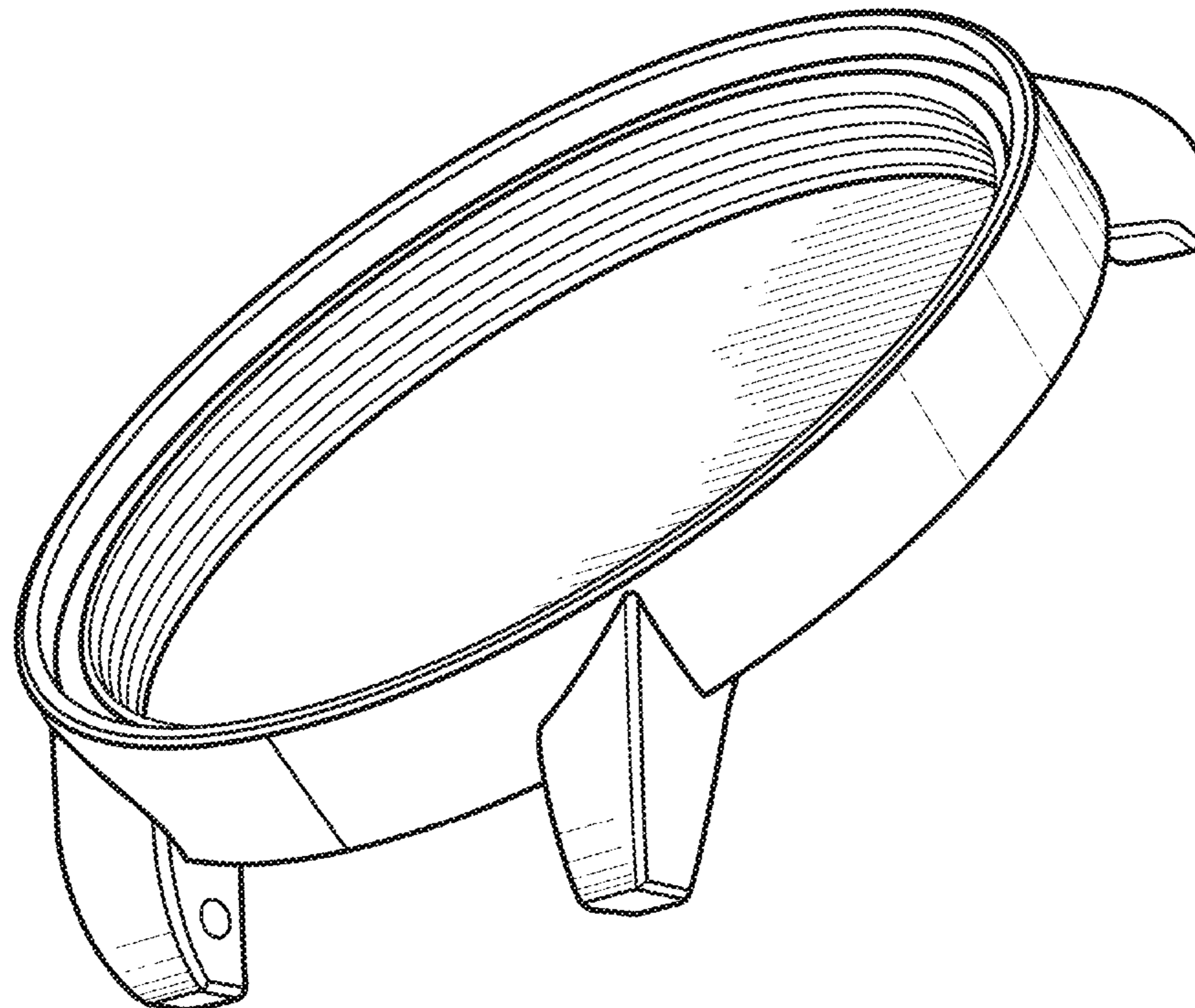
The watch strap depicted by broken lines in FIG. 6 has been shown for the purpose of illustrating an environmental feature that forms no part of the claimed design.

1 Claim, 4 Drawing Sheets

(56) **References Cited**

U.S. PATENT DOCUMENTS

D170,179	S *	8/1953	Wylar	D10/39
D282,914	S *	3/1986	Maron	D10/39
D285,908	S *	9/1986	Maron	D10/30
D302,664	S *	8/1989	Dawson, Jr.	D10/15
D326,617	S *	6/1992	Bulgari	D10/39
D373,957	S *	9/1996	Mareschal	D10/30
D416,814	S *	11/1999	Welsh	D10/31
6,826,120	B1 *	11/2004	Decker	G08B 25/016



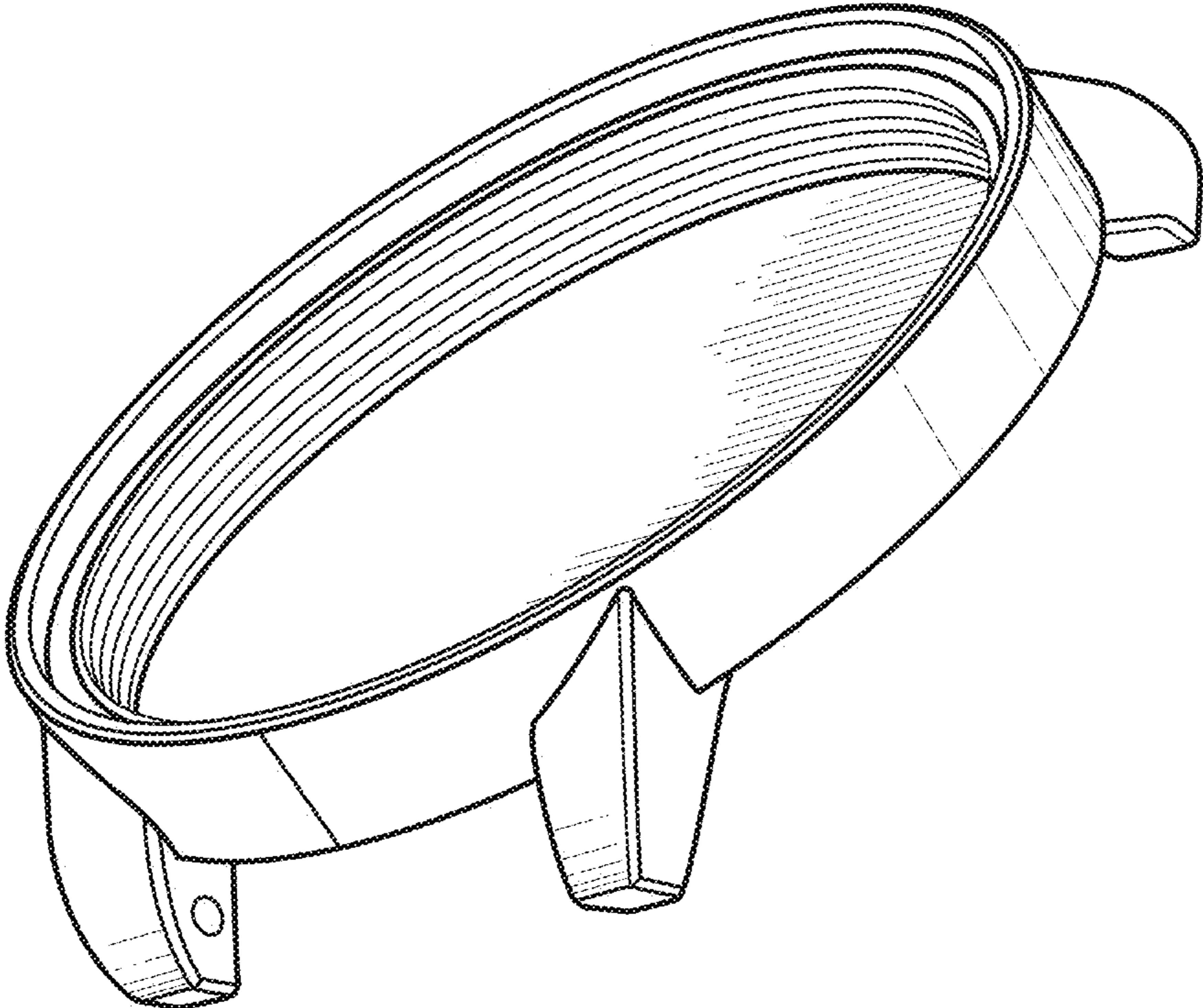


Fig. 1

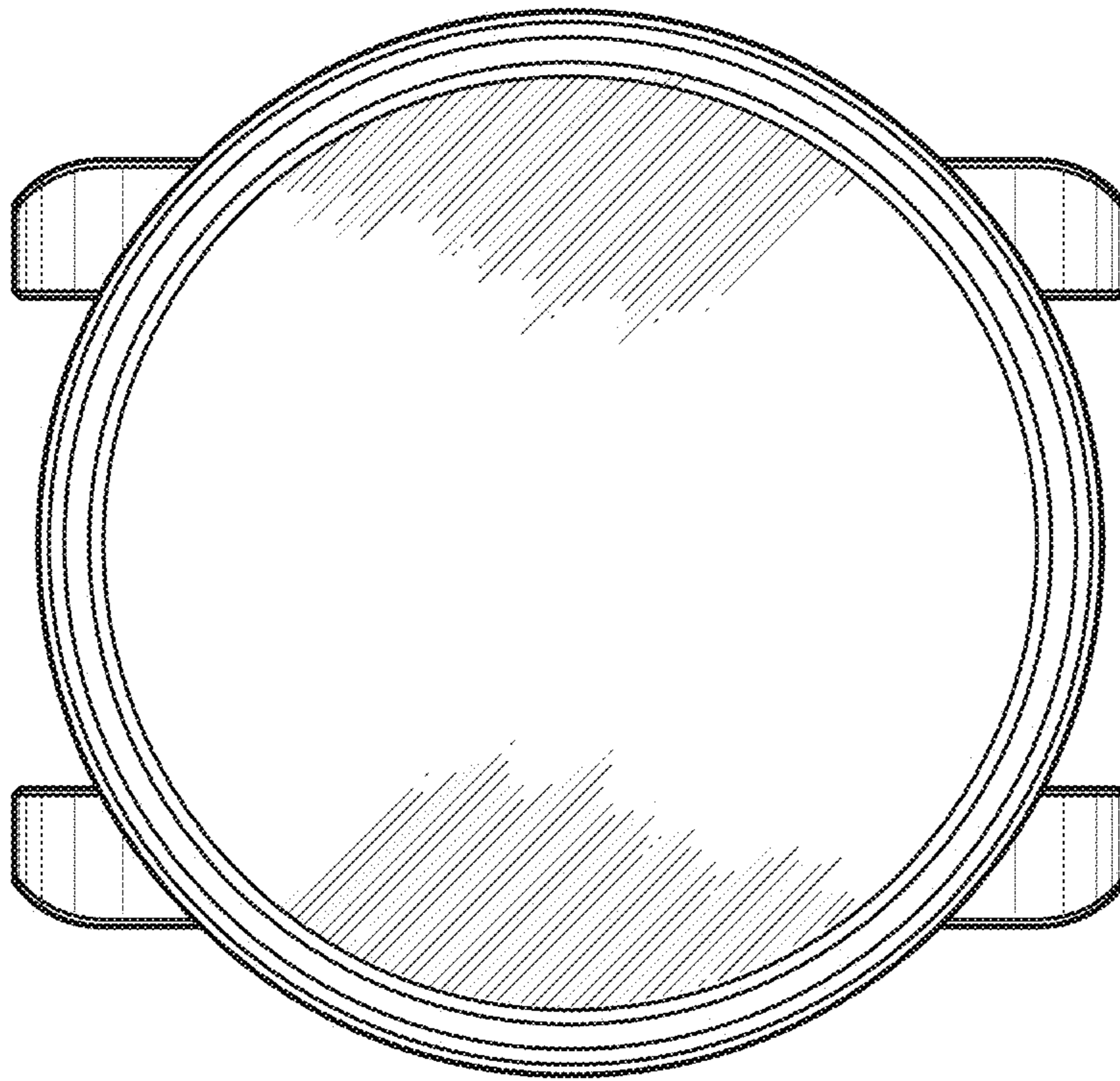


Fig. 3

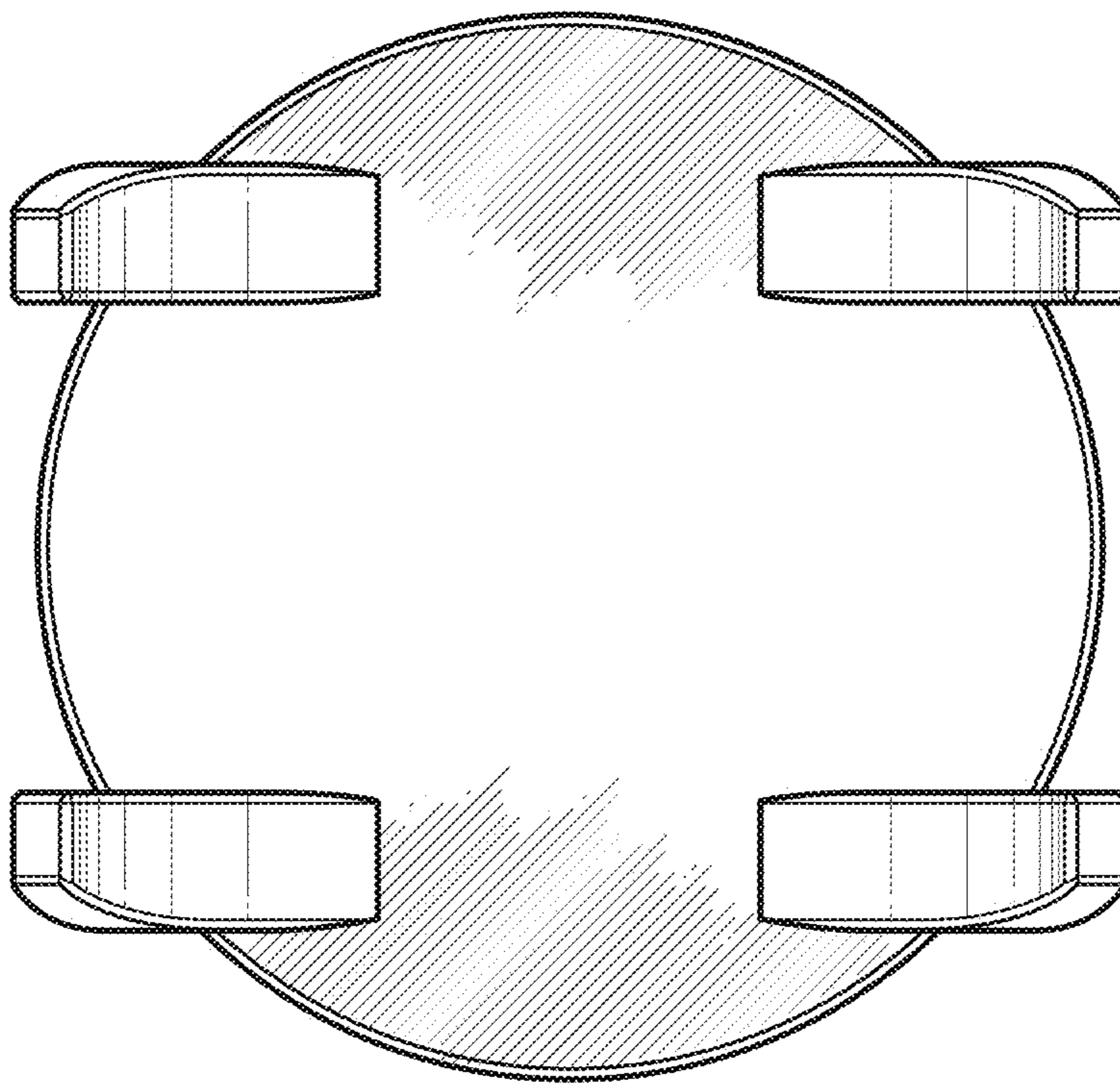


Fig. 2

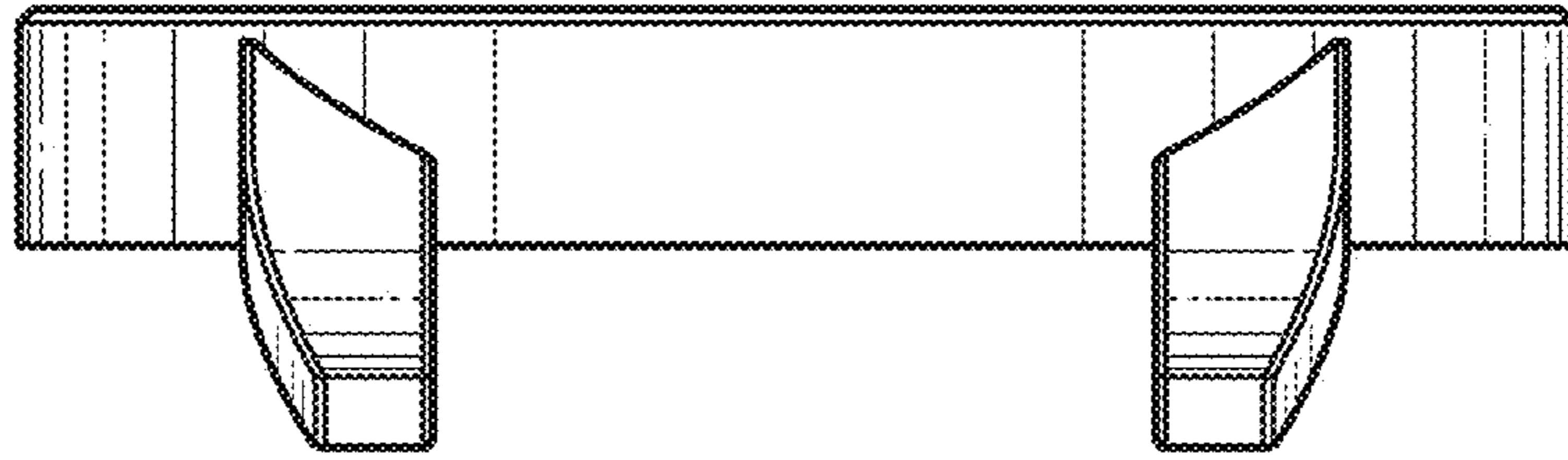


Fig. 4

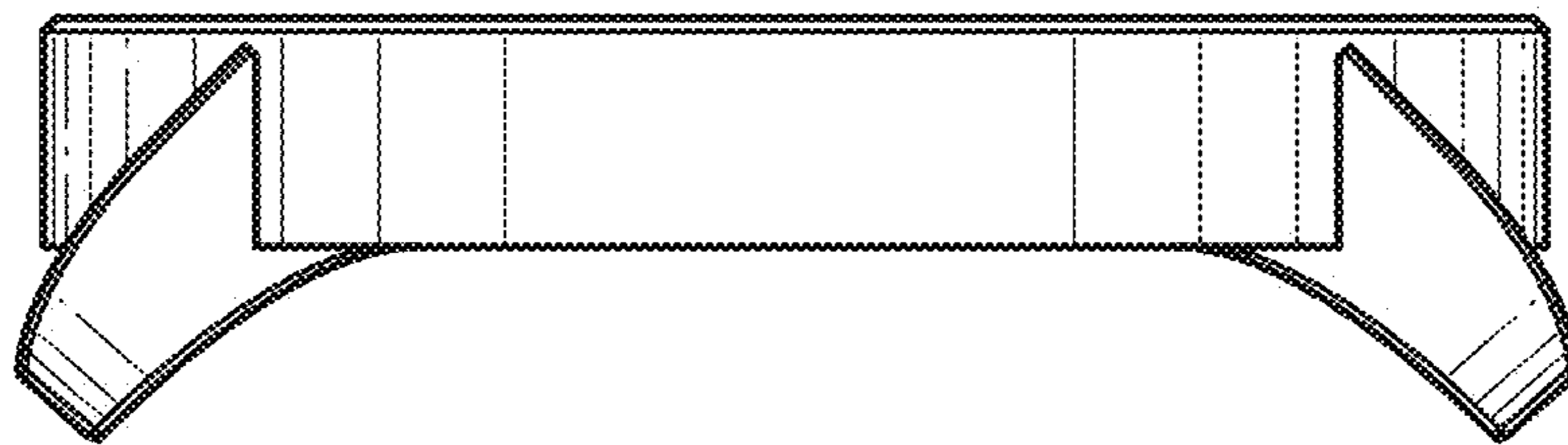


Fig. 5

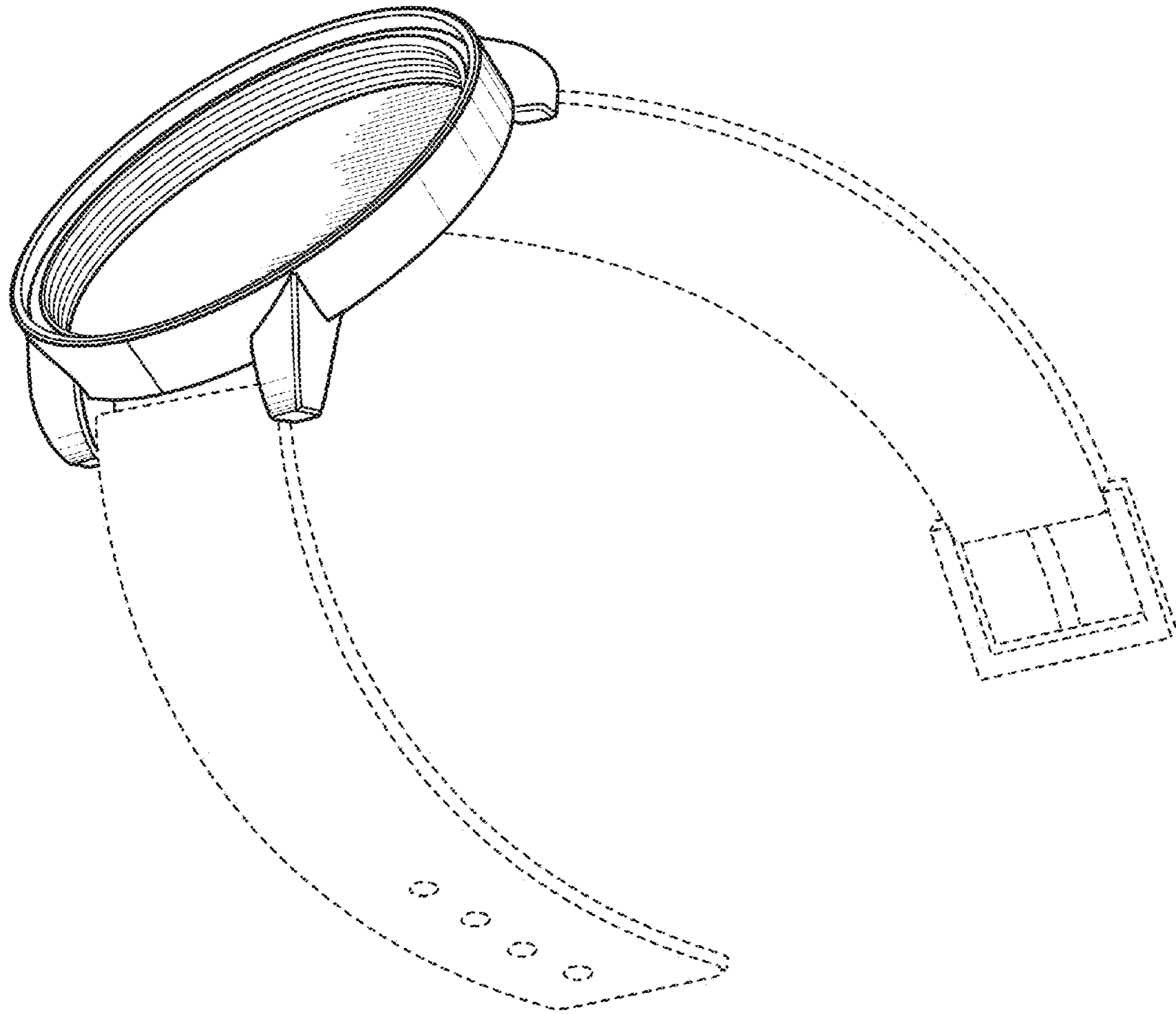


Fig. 6