



US00D748501S

(12) **United States Design Patent**
Cerrato

(10) **Patent No.:** **US D748,501 S**
(45) **Date of Patent:** **** Feb. 2, 2016**

- (54) **WATCH CASE WITH DIAL**
- (71) Applicant: **TUDOR WATCH U.S.A., LLC**, New York, NY (US)
- (72) Inventor: **Davide Cerrato**, Geneva (CH)
- (73) Assignee: **TUDOR WATCH U.S.A., LLC**, New York, NY (US)
- (**) Term: **14 Years**
- (21) Appl. No.: **29/489,483**
- (22) Filed: **Apr. 30, 2014**

D438,471	S	*	3/2001	Fichter	D10/126
D438,472	S	*	3/2001	Fichter	D10/126
D443,219	S	*	6/2001	Iwanaga	D10/126
6,295,251	B1	*	9/2001	Sakai	G04B 19/10 368/232
6,379,037	B1	*	4/2002	Saleh	G04B 27/08 368/185
D510,538	S	*	10/2005	Baden	D10/126
D531,536	S	*	11/2006	Lovegrove	D10/126
D618,119	S	*	6/2010	Tonohori	D10/38
D648,638	S	*	11/2011	Monachon	D10/39
D684,486	S	*	6/2013	Messmer	D10/39
D692,778	S	*	11/2013	Duport	D10/39
2011/0063953	A1	*	3/2011	Hasegawa	G04C 3/146 368/80

* cited by examiner

(30) **Foreign Application Priority Data**

Nov. 1, 2013 (CH) 140195

- (51) **LOC (10) Cl.** **10-02**
- (52) **U.S. Cl.**
USPC **D10/30; D10/39**

- (58) **Field of Classification Search**
USPC D10/30-39, 1-29, 122-132
CPC G04B 19/00; G04B 19/04; G04B 19/044;
G04B 19/06; G04B 19/10; G04B 19/106;
G04B 19/12; G04B 19/24; G04B 27/08;
G04B 37/00; G04B 37/0008; G04B 37/0058;
G04B 45/00; G04B 45/0069; G04B 37/0076
See application file for complete search history.

(56) **References Cited**

U.S. PATENT DOCUMENTS

D129,370	S	*	9/1941	Dupertuis	D10/1
3,146,578	A	*	9/1964	Etienne	G04B 19/10 116/334

Primary Examiner — Martie K Holtje

(74) *Attorney, Agent, or Firm* — Sughrue Mion, PLLC

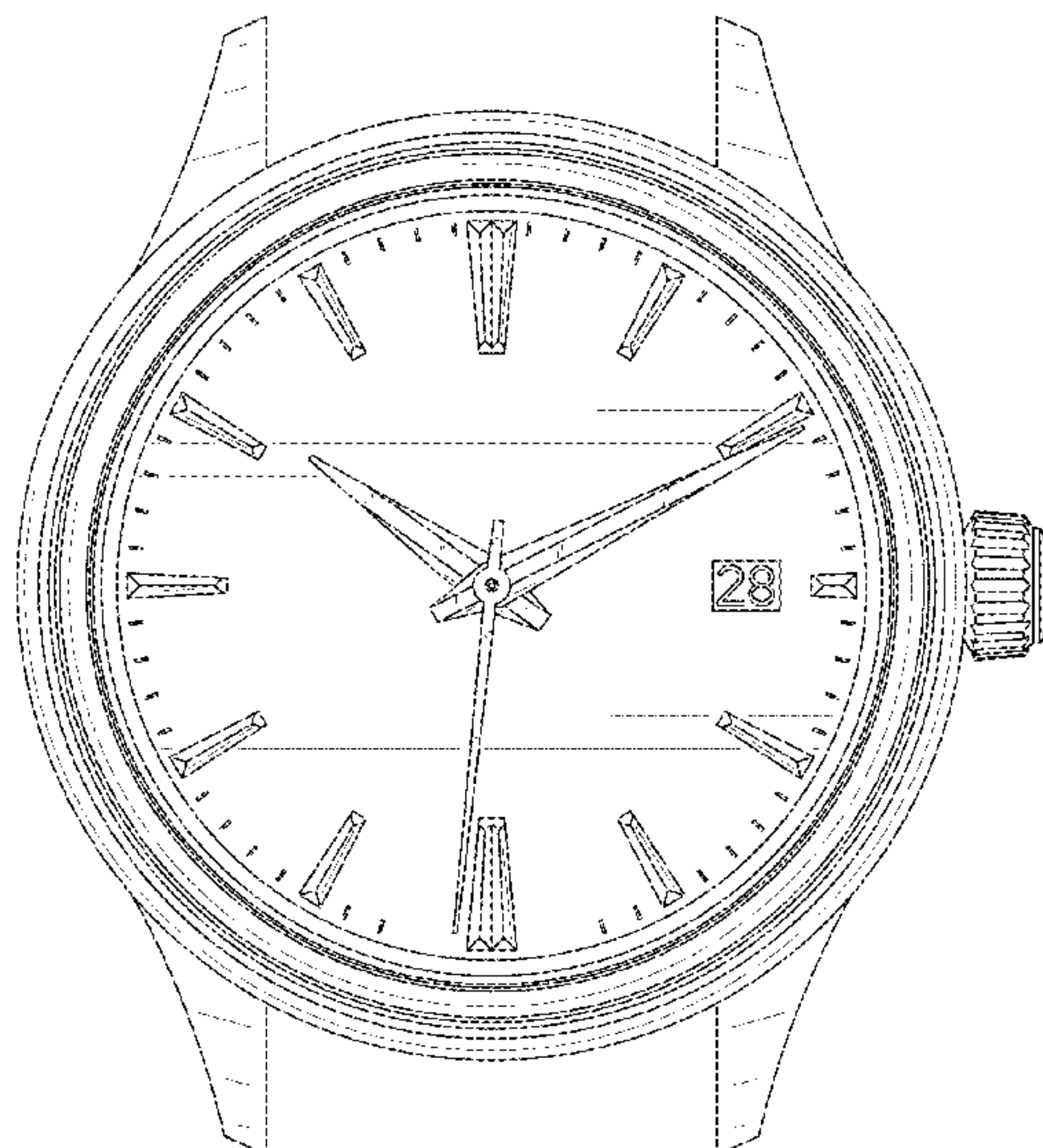
(57) **CLAIM**

The ornamental design for a watch case with dial, as shown and described.

DESCRIPTION

FIG. 1 is a right front perspective view of a watch case with dial showing my new design;
 FIG. 2 is a front elevational view thereof;
 FIG. 3 is a rear elevational view thereof;
 FIG. 4 is a left side elevational view thereof;
 FIG. 5 is a right side elevational view thereof;
 FIG. 6 is a top plan view thereof; and,
 FIG. 7 is a bottom plan view thereof.

1 Claim, 5 Drawing Sheets



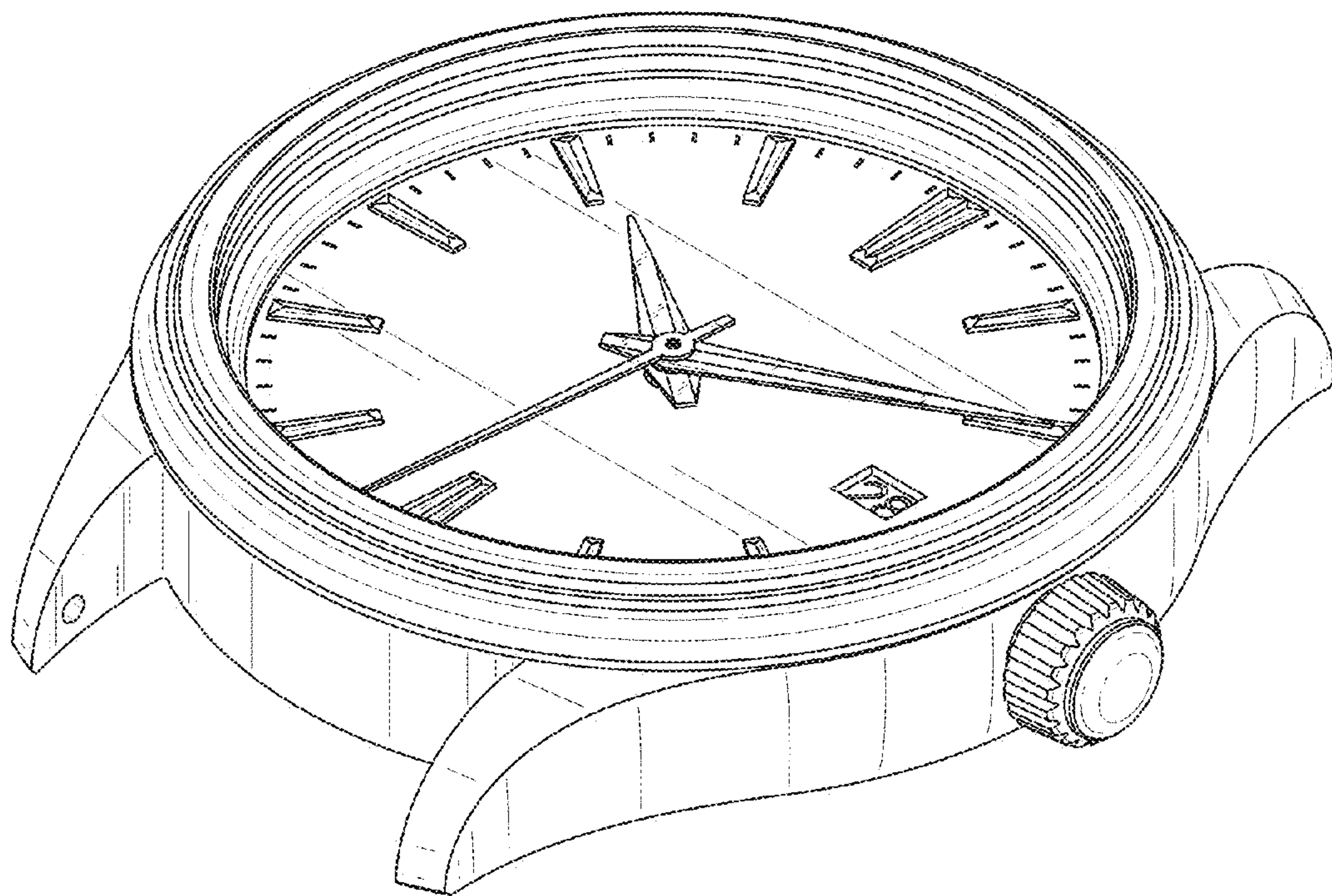


FIG. 1



FIG. 2

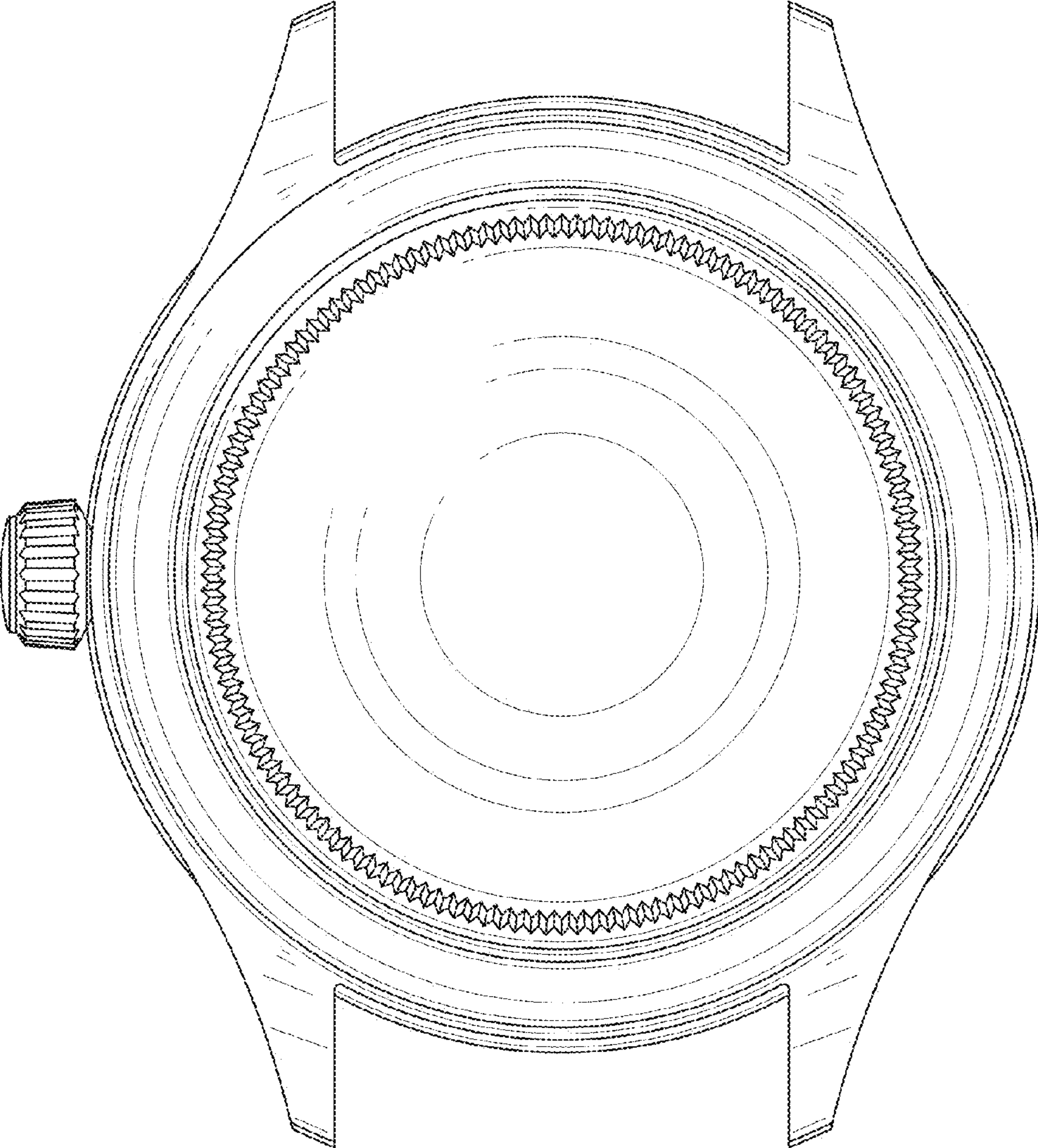


FIG. 3

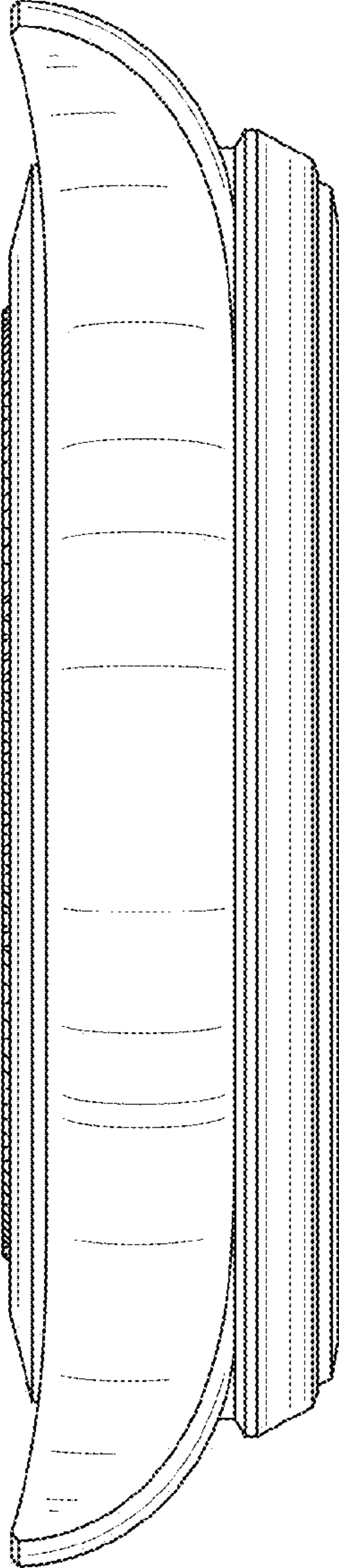


FIG. 4

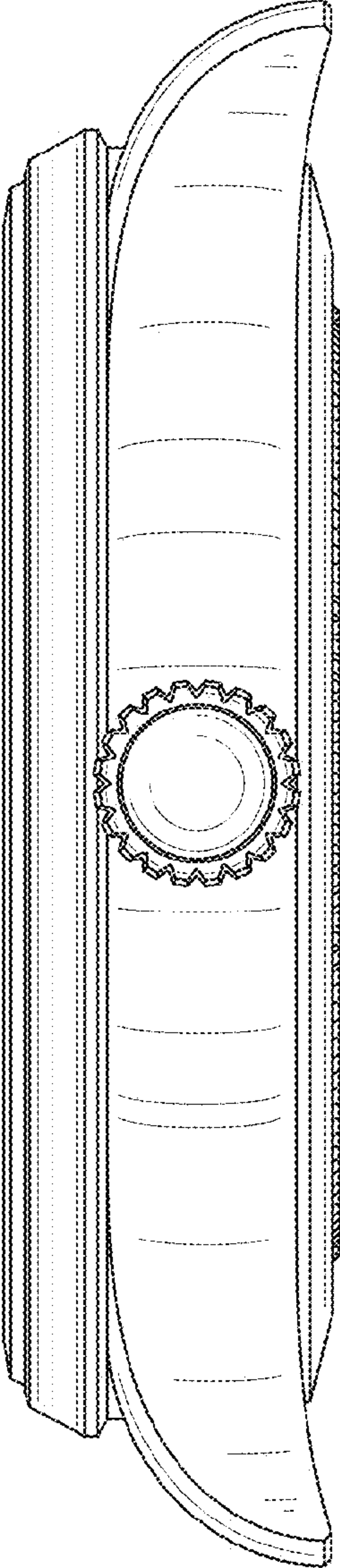


FIG. 5

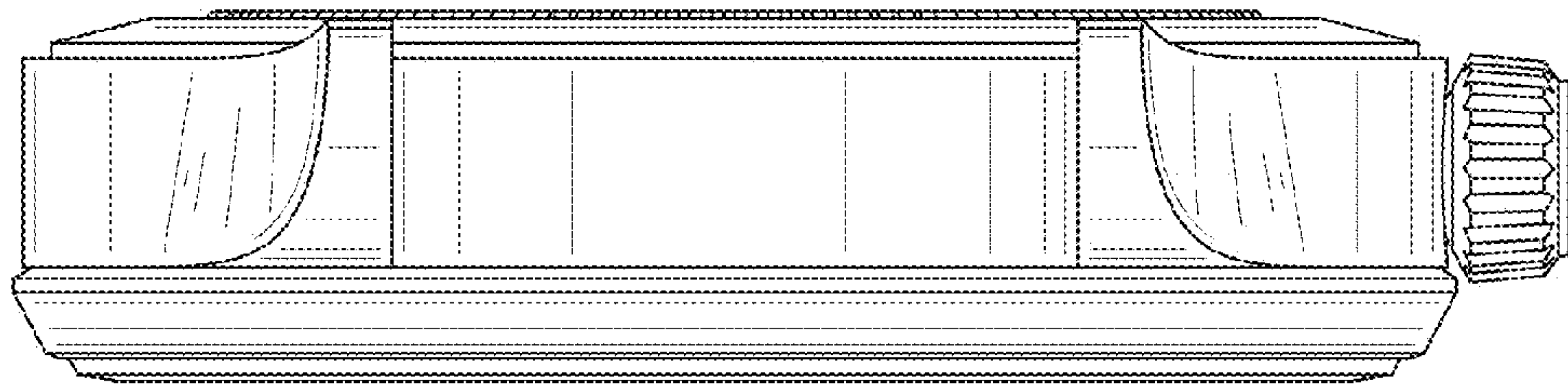


FIG. 6

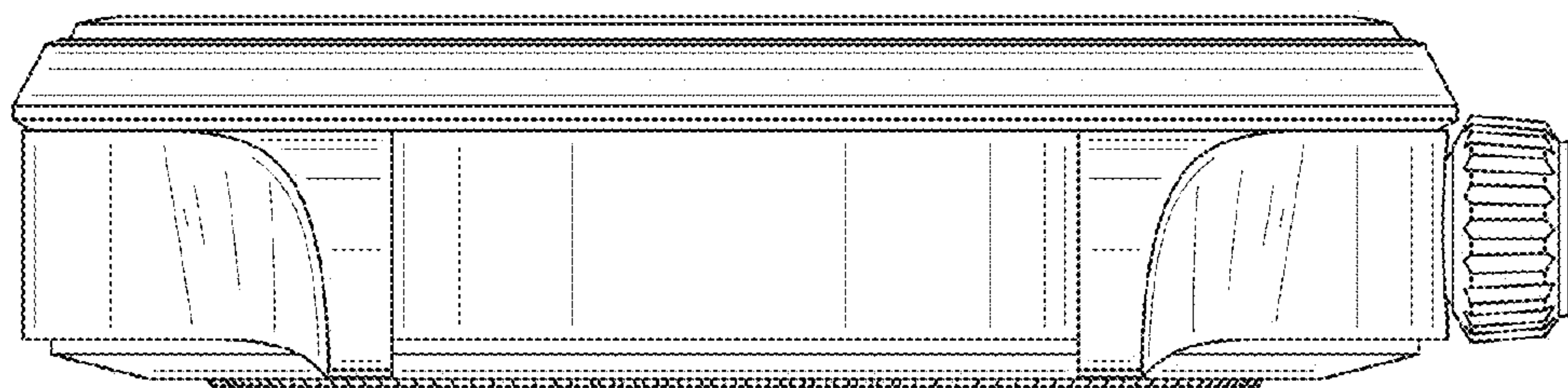


FIG. 7