



US00D748500S

(12) **United States Design Patent**
Schwamkrug

(10) **Patent No.:** **US D748,500 S**

(45) **Date of Patent:** **** Feb. 2, 2016**

(54) **WATCH**

(56) **References Cited**

U.S. PATENT DOCUMENTS

(71) Applicant: **Porsche Lizenz-und
Handelsgesellschaft mbH & Co. KG,**
Bietigheim-Bissingen (DE)

3,503,203	A *	3/1970	Gruner et al.	368/21
4,627,738	A *	12/1986	Kao	368/281
5,392,261	A *	2/1995	Hsu	368/281
D413,071	S *	8/1999	Fichter	D10/39
D416,814	S *	11/1999	Welsh	D10/31
D438,471	S *	3/2001	Fichter	D10/39
D544,372	S *	6/2007	Seyr et al.	D10/32
7,394,728	B2 *	7/2008	Hyun	368/88
D581,811	S *	12/2008	Messmer et al.	D10/32
D588,940	S	3/2009	Kuchler	
D589,371	S *	3/2009	Miloradovic	D10/32
D589,372	S	3/2009	Miloradovic	
D590,276	S	4/2009	Miloradovic	
D592,976	S	5/2009	Kuchler	
D600,139	S	9/2009	Miloradovic	
7,635,219	B2 *	12/2009	Seyr et al.	368/283
D631,764	S *	2/2011	Furetta	D10/32
D649,889	S *	12/2011	Giannini	D10/32
8,366,313	B2 *	2/2013	Scioscia	368/286

(72) Inventor: **Christian Schwamkrug,** Zell am See
(AT)

(73) Assignee: **Porsche Lizenz-und
Handelsgesellschaft mbH & Co. KG**
(DE)

(**) Term: **14 Years**

(21) Appl. No.: **29/470,719**

(22) Filed: **Oct. 24, 2013**

(30) **Foreign Application Priority Data**

Apr. 24, 2013 (DE) 40 2013 100 339

(51) **LOC (10) Cl.** **10-02**

(52) **U.S. Cl.**
USPC **D10/30; D10/38**

(58) **Field of Classification Search**
USPC D10/30-39, 1-29, 122-132
CPC G04B 19/00; G04B 19/04; G04B 19/044;
G04B 19/06; G04B 19/103; G04B 19/16;
G04B 19/24; G04B 37/00; G04B 37/0008;
G04B 37/0058; G04B 37/04; G04B 45/00;
G04B 45/0069; G04B 45/0076

See application file for complete search history.

* cited by examiner

Primary Examiner — Martie K Holtje

(74) *Attorney, Agent, or Firm* — RatnerPrestia

(57) **CLAIM**

The ornamental design for a watch, as shown and described.

DESCRIPTION

FIG. 1 is a front elevational view of a watch showing my new design;

FIG. 2 is a bottom front perspective view thereof;

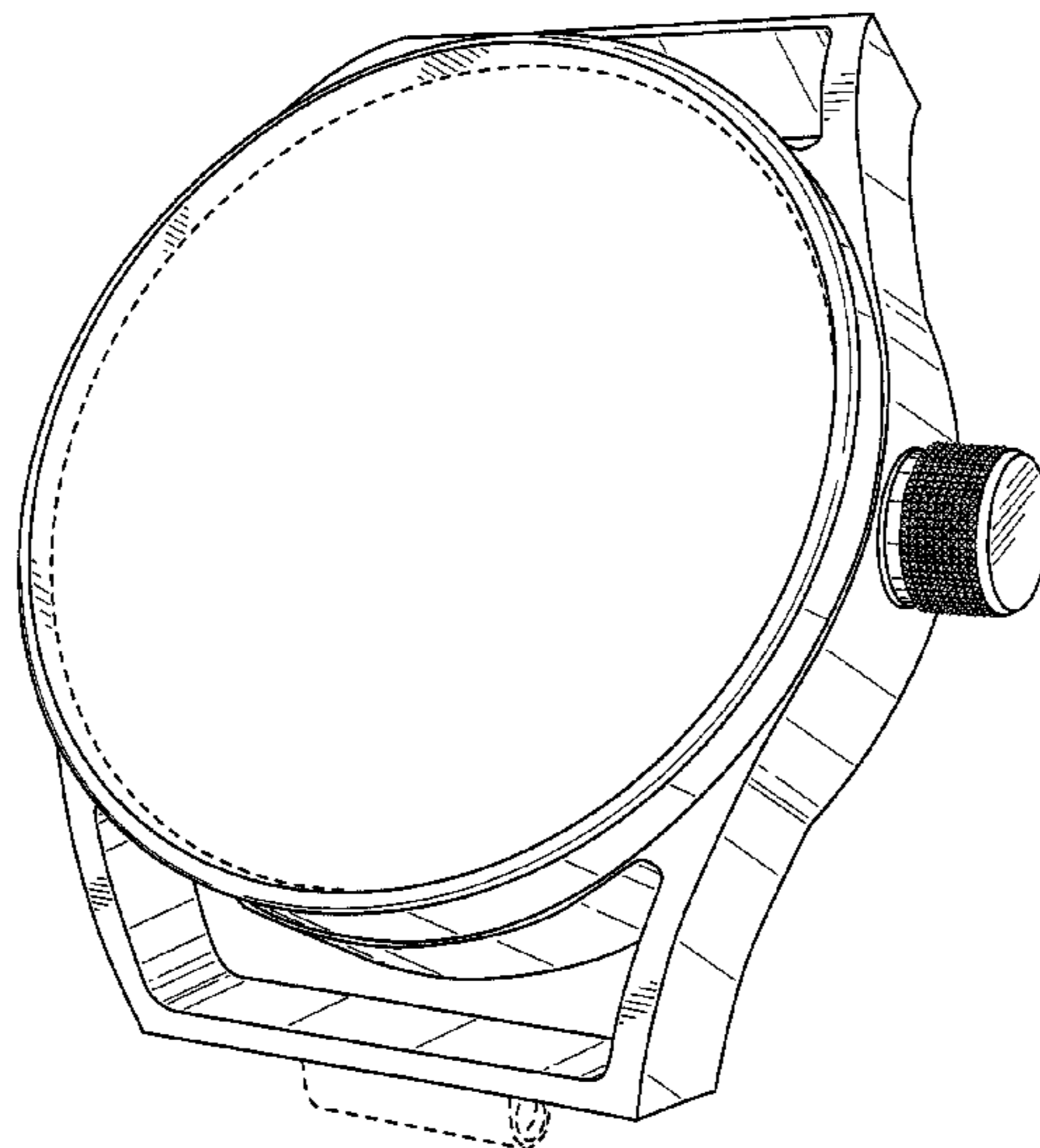
FIG. 3 is a left front perspective view thereof;

FIG. 4 is a left rear perspective view thereof; and,

FIG. 5 is a right front perspective view thereof.

The structural features depicted by broken lines in the drawings have been shown for the purpose of illustrating portions of the watch that form no part of the claimed design.

1 Claim, 5 Drawing Sheets



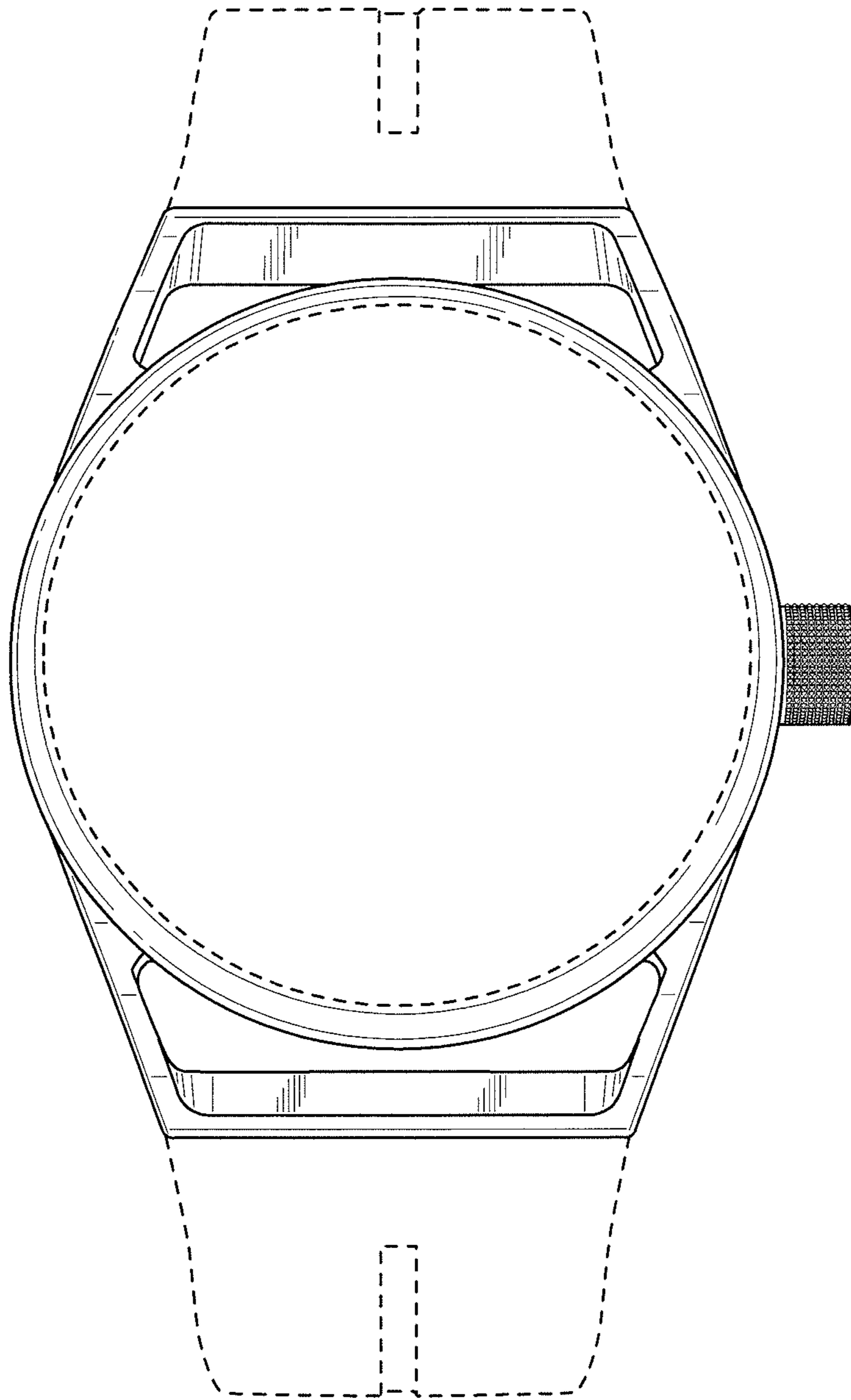


FIG. 1

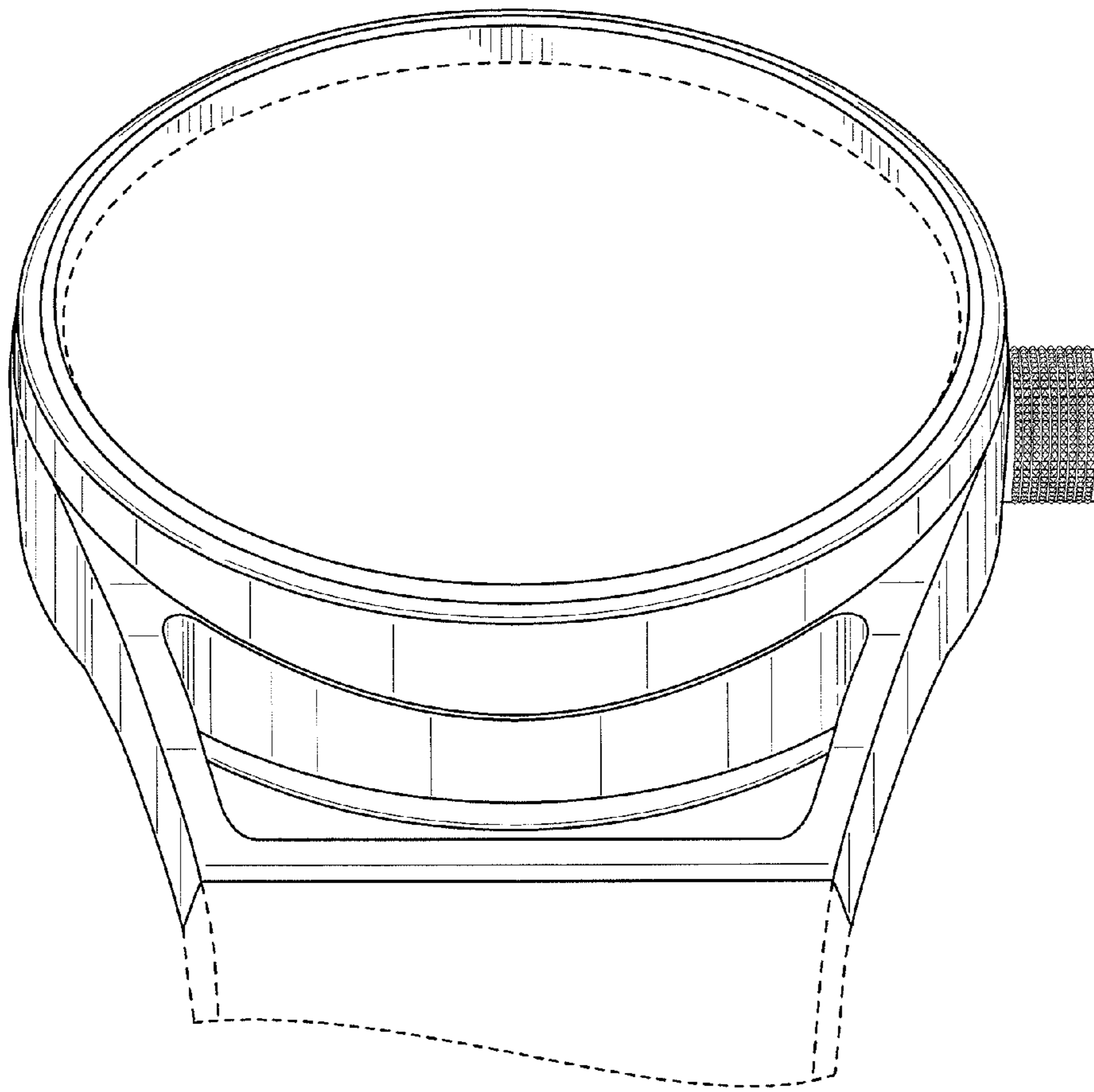


FIG. 2

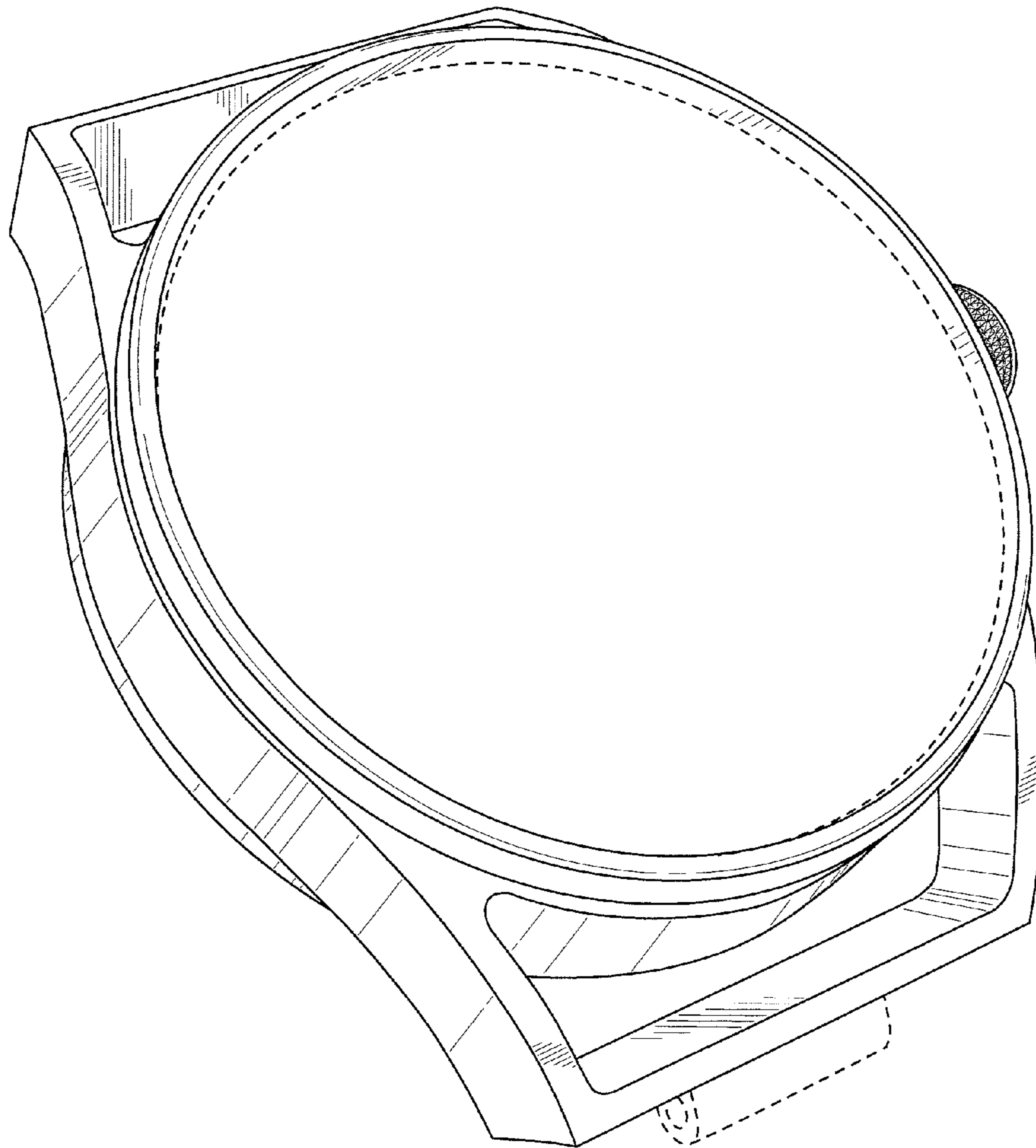


FIG. 3

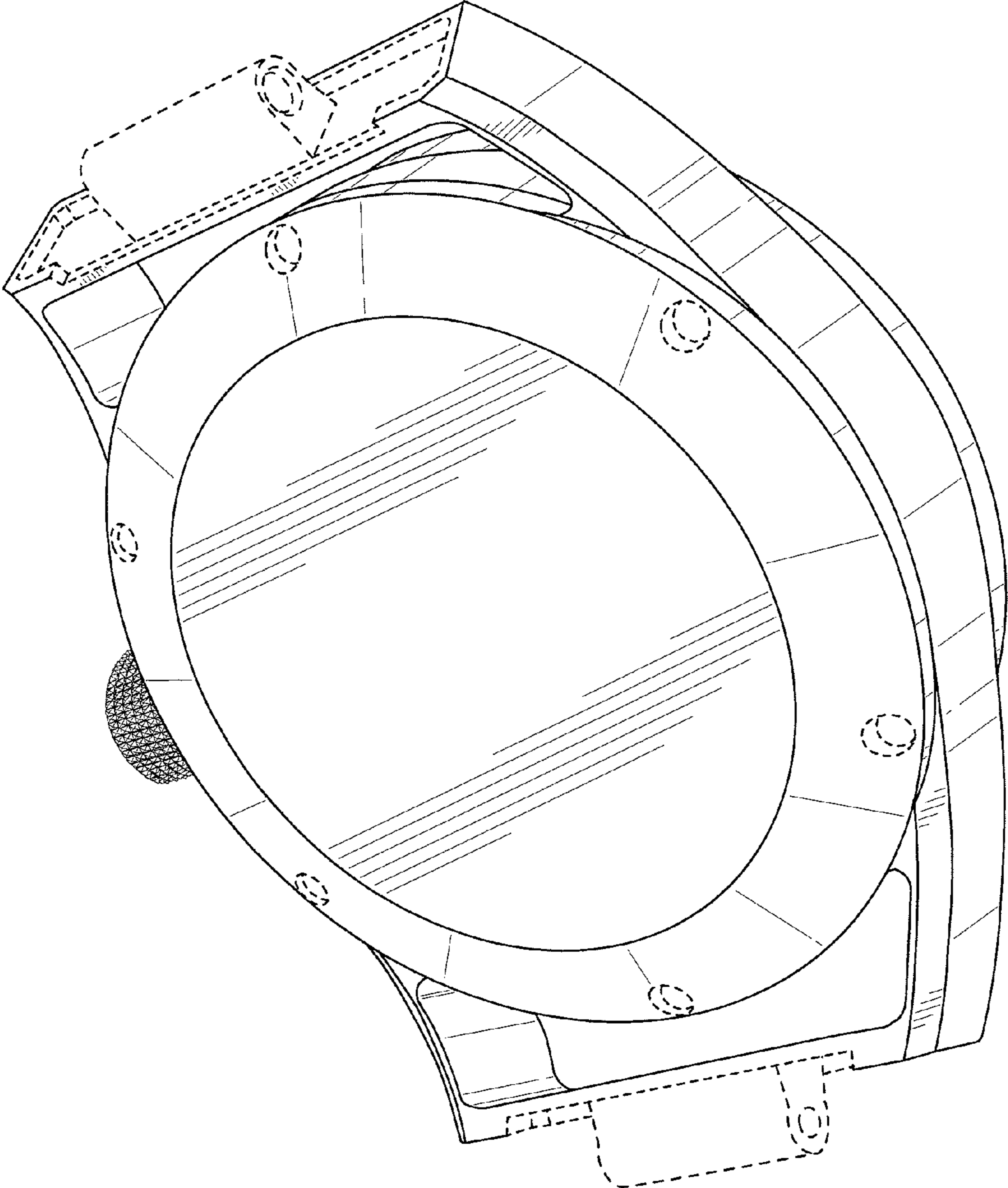


FIG. 4

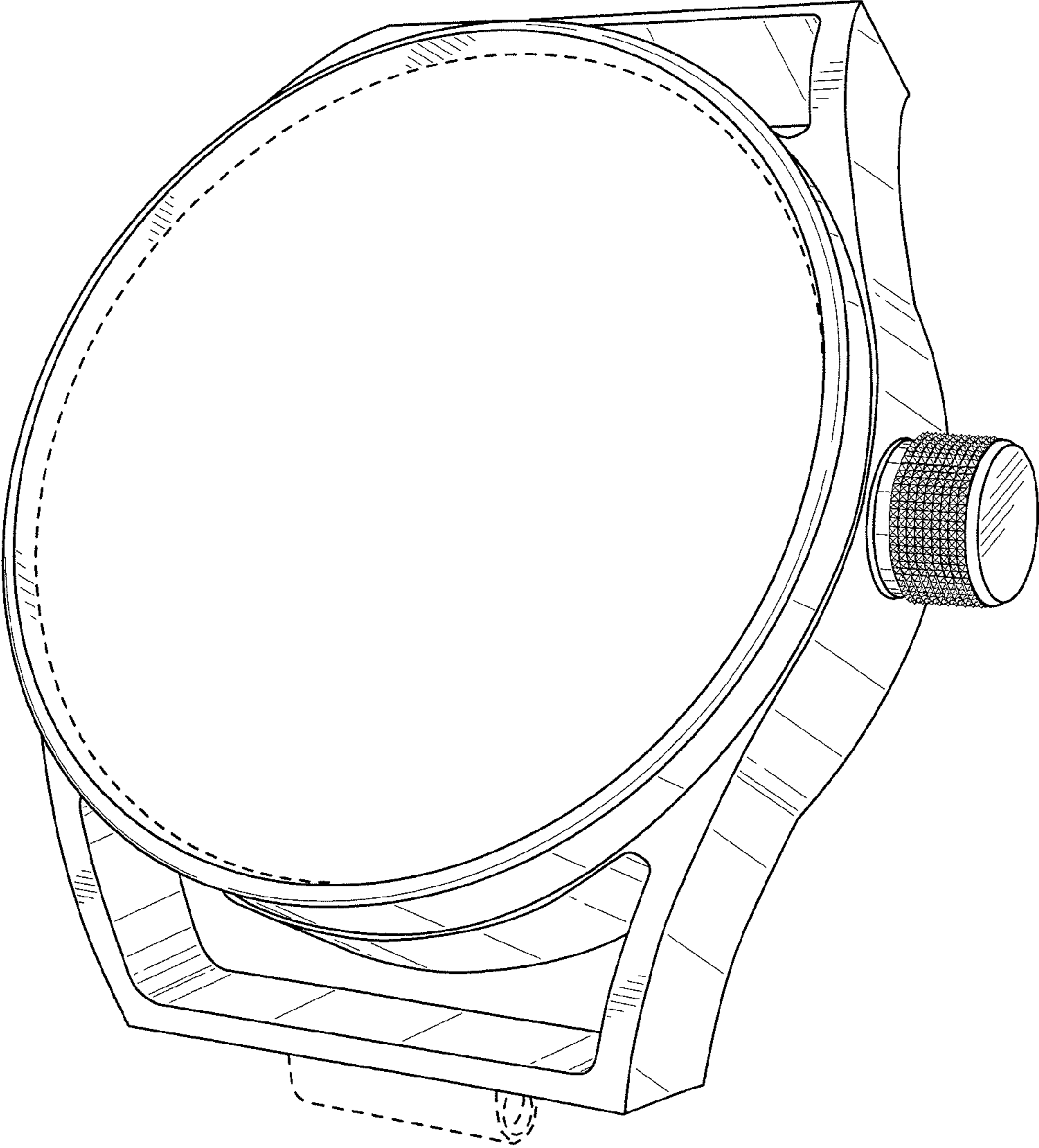


FIG. 5