



US00D748499S

(12) **United States Design Patent**
Hanna

(10) **Patent No.:** **US D748,499 S**
(45) **Date of Patent:** **** Feb. 2, 2016**

- (54) **PACKAGE FOR WAX MELTS**
- (71) Applicant: **Burton Hanna**, Fayetteville, AR (US)
- (72) Inventor: **Burton Hanna**, Fayetteville, AR (US)
- (**) Term: **14 Years**
- (21) Appl. No.: **29/480,093**
- (22) Filed: **Jan. 23, 2014**

Related U.S. Application Data

- (63) Continuation-in-part of application No. 14/099,646, filed on Dec. 6, 2013, now abandoned.

(51) **LOC (10) Cl.** **09-03**

(52) **U.S. Cl.**
USPC **D9/756; D9/425**

(58) **Field of Classification Search**

USPC D9/414, 424, 425, 432, 730, 732, 736, D9/756, 757, 759; D7/553.3; D15/90; D24/227; D3/273, 304, 313, 314; 206/534.1, 538, 558, 562, 565; 220/4.21, 507, 523, 526, 553

CPC B65D 75/327; B65D 25/04; B65D 2543/00296; B65D 1/36; B65D 83/0463; B65D 43/162; B65D 2585/56; B65D 83/0445; B65D 2543/00194; B65D 71/70; B65D 2543/00101; B65D 1/24; B65D 2543/00805; B65D 5/5038; B65D 2543/00694; B65D 11/188; B65D 75/367; B65D 2543/00759; B65D 75/32; B65D 75/36; B65D 2543/00648; B65D 85/00; B65D 11/00; B65D 75/323; B65D 81/02

See application file for complete search history.

(56) **References Cited**

U.S. PATENT DOCUMENTS

- 162,659 A * 4/1875 Jas A01J 9/04 165/74
- D159,869 S * 8/1950 Shepard D9/757

- 2,888,183 A * 5/1959 Reifers B65D 85/324 206/521.1
- 2,944,696 A * 7/1960 Effgen C23G 3/00 220/507
- 3,561,158 A * 2/1971 Marcan A01G 9/104 220/23.6
- D227,860 S * 7/1973 Schumann D9/759
- D263,680 S * 4/1982 Schroder D9/420
- D275,366 S * 9/1984 Maxwell D9/425
- D278,253 S * 4/1985 Evenson D19/75
- 4,887,790 A * 12/1989 Wilkinson A61J 3/06 206/531
- D305,733 S * 1/1990 Ferris D9/757
- D320,994 S * 10/1991 Kafka D15/90
- D399,134 S * 10/1998 Lidle, Jr. D9/415
- 7,067,772 B2 6/2006 Tanner et al. 219/445.1
- 7,699,603 B2 4/2010 Furner et al. 431/292
- D651,922 S * 1/2012 Short D9/737
- D735,028 S * 7/2015 Baillies D9/425
- 2009/0242453 A1 * 10/2009 Hannan A47B 8/20 206/534

* cited by examiner

Primary Examiner — Derrick Holland

Assistant Examiner — Lauren Calve

(74) *Attorney, Agent, or Firm* — Keisling & Pieper PLC; Trent C. Keisling

(57) **CLAIM**

The ornamental design for a package for wax melts, as shown and described.

DESCRIPTION

FIG. 1 is a top isometric view of a package for wax melts showing my new design;

FIG. 2 is a bottom isometric view thereof;

FIG. 3 is a top plan view thereof;

FIG. 4 is a front elevational view thereof, the rear elevational view being a mirror image thereof;

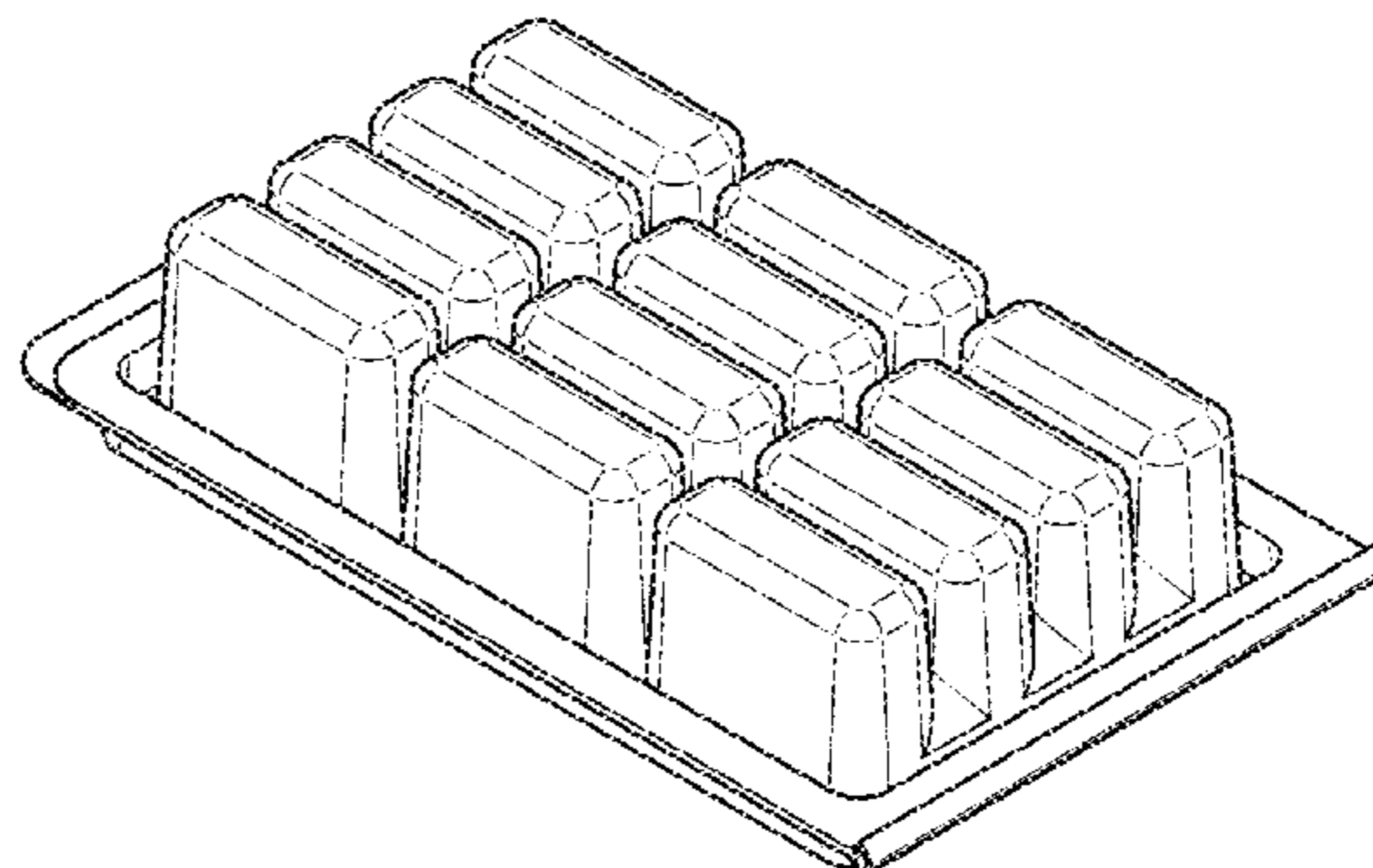
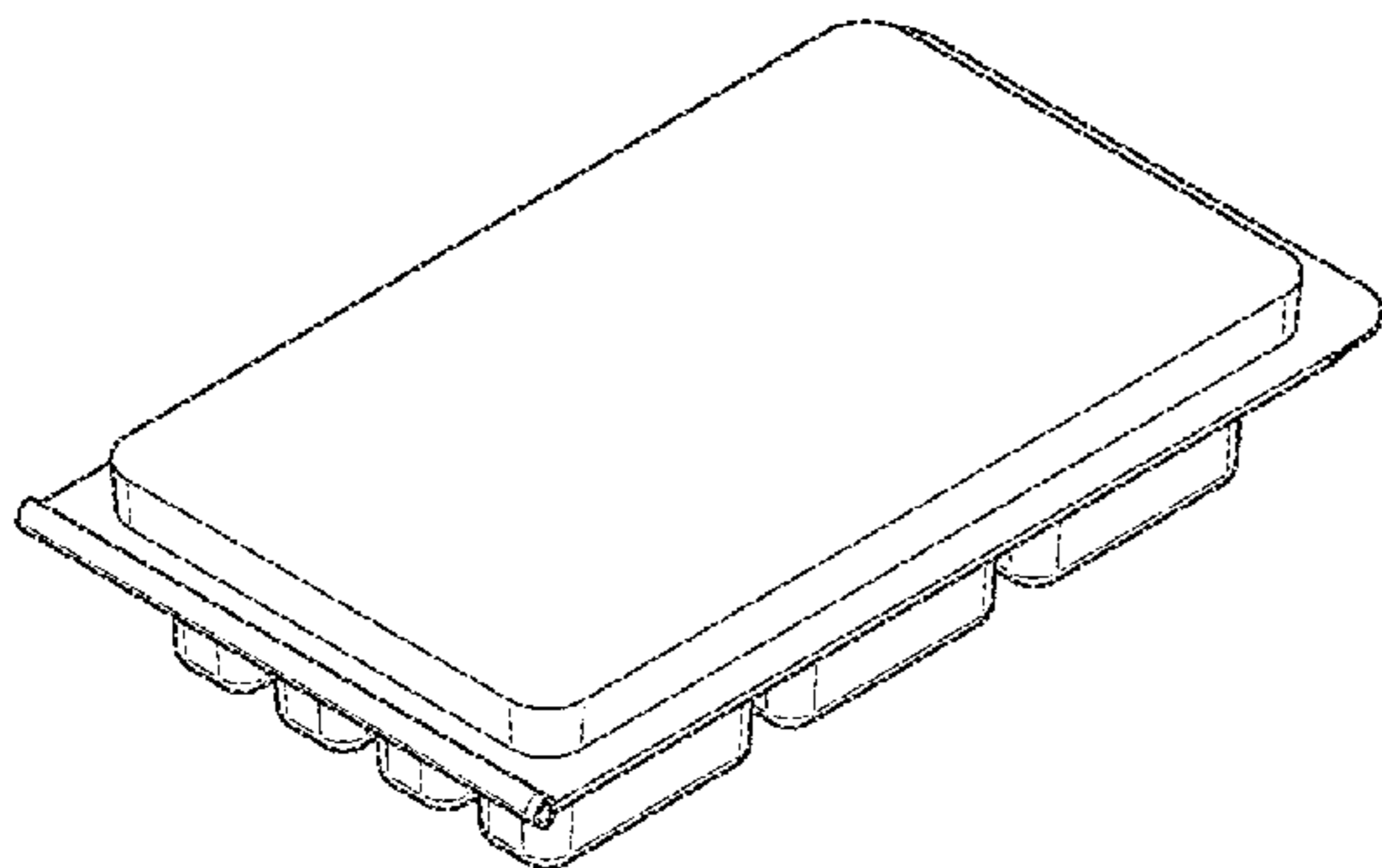
FIG. 5 is a bottom plan view thereof;

FIG. 6 is a left side elevational view thereof;

FIG. 7 is a right side elevational view thereof; and,

FIG. 8 is a top perspective view thereof shown in an open position.

1 Claim, 3 Drawing Sheets



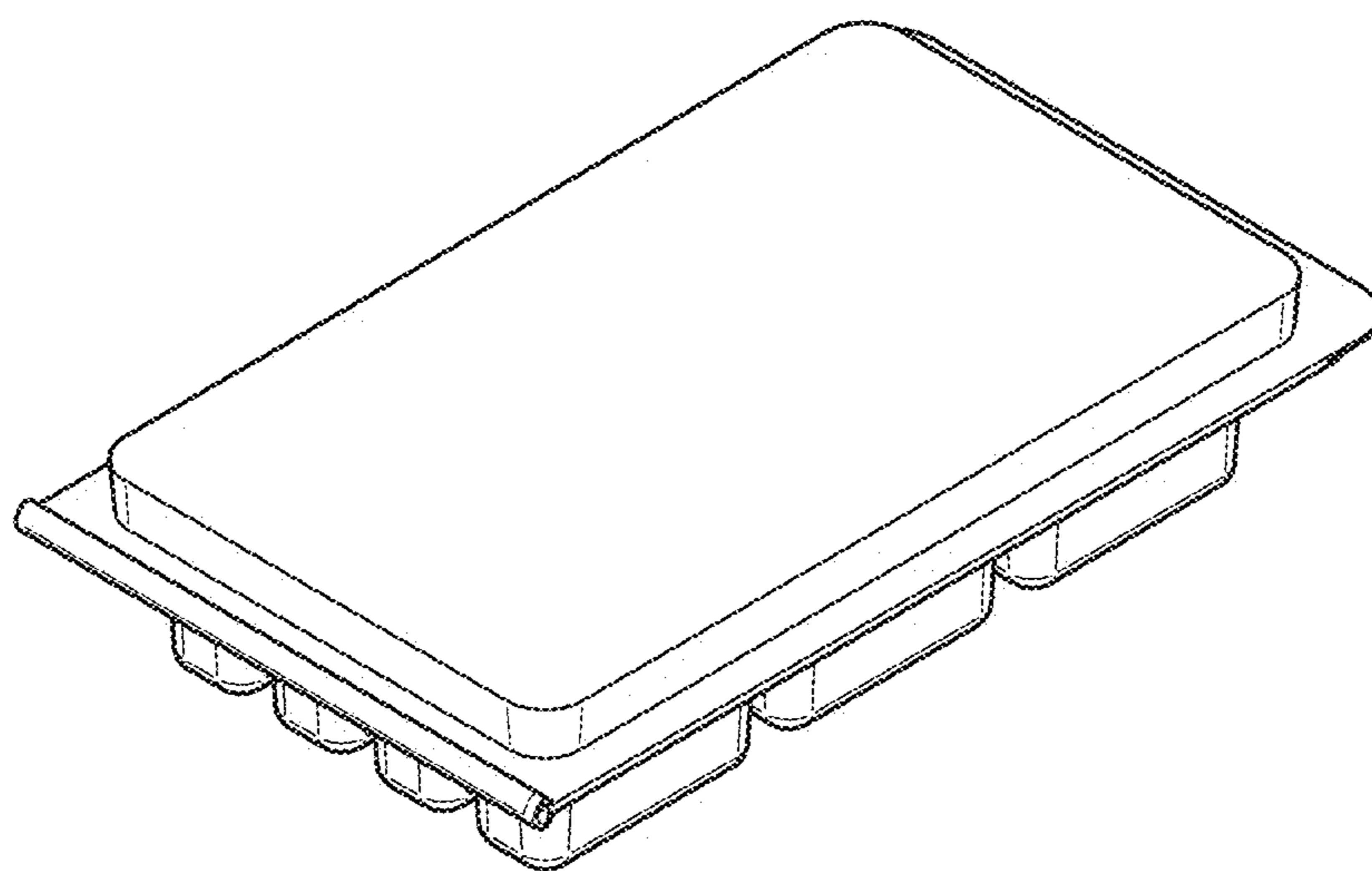


FIG. 1

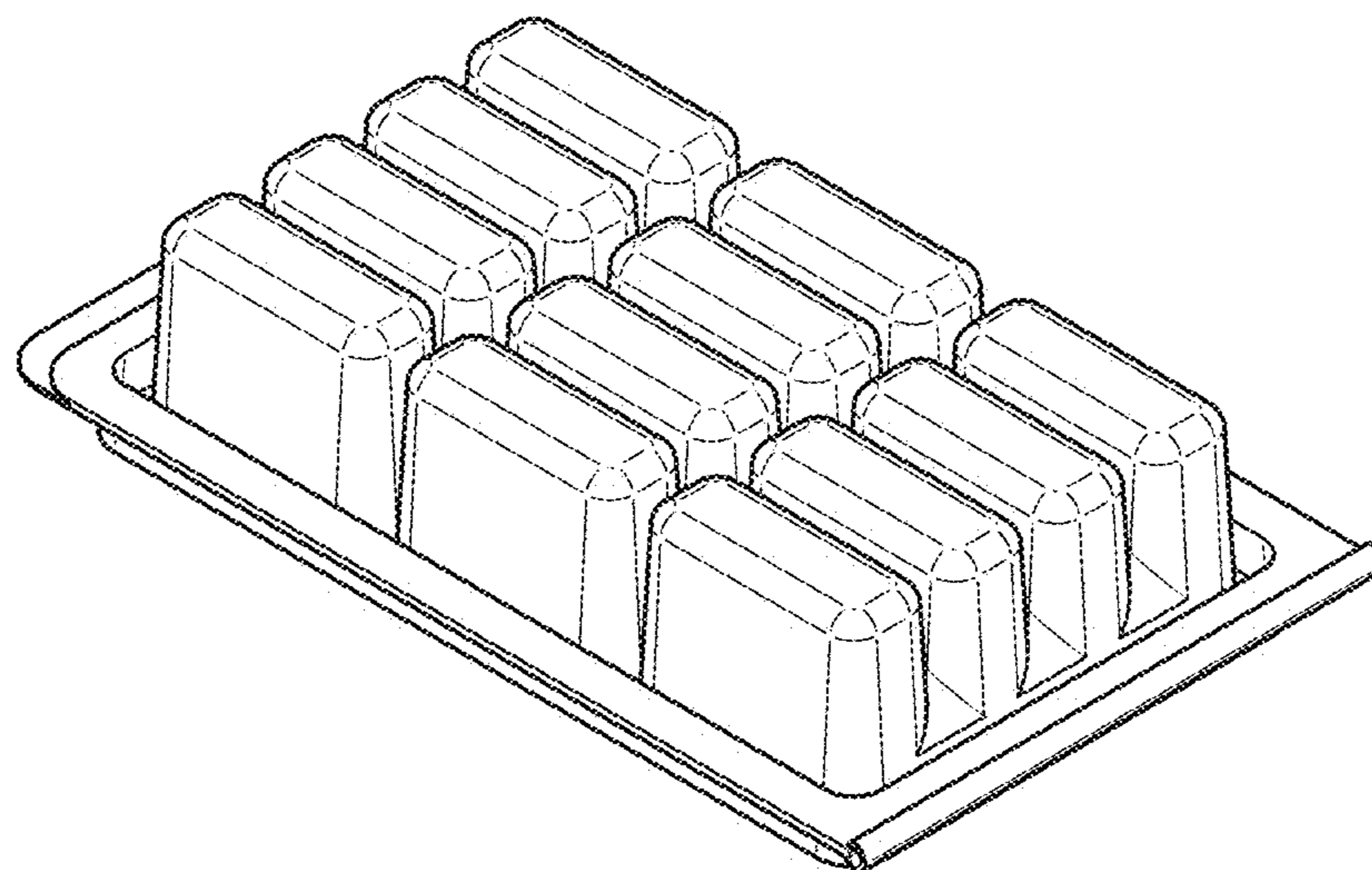


FIG. 2

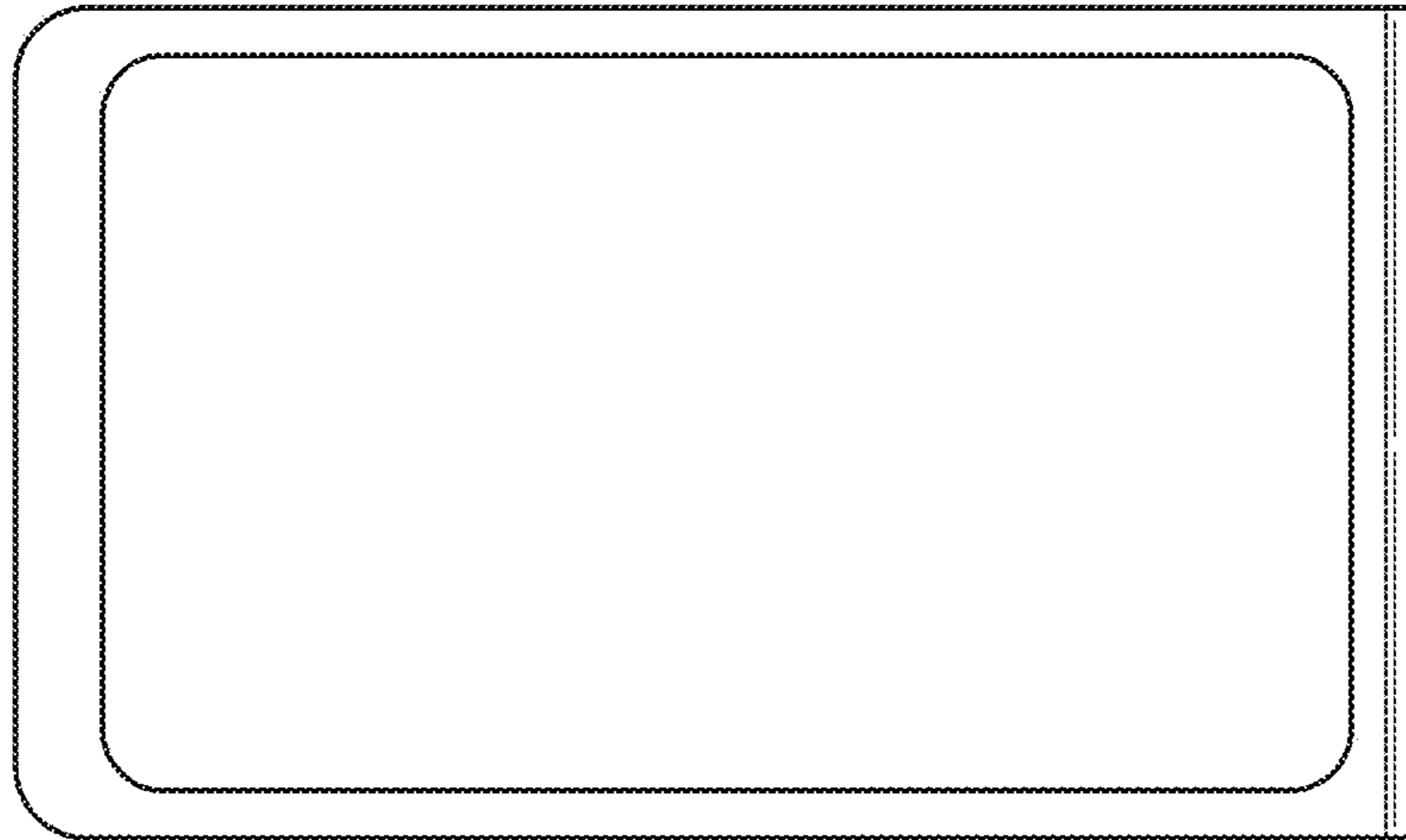


FIG. 3

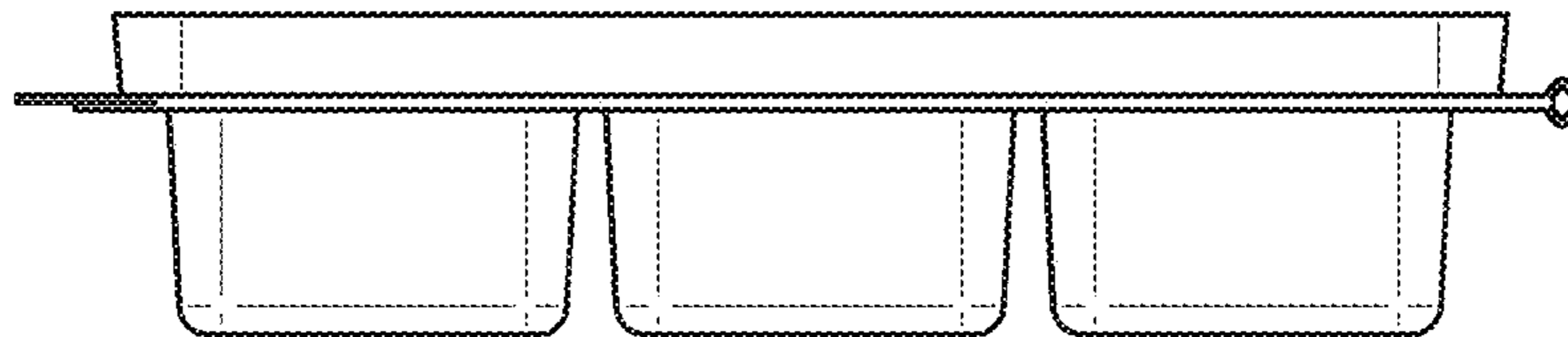


FIG. 4

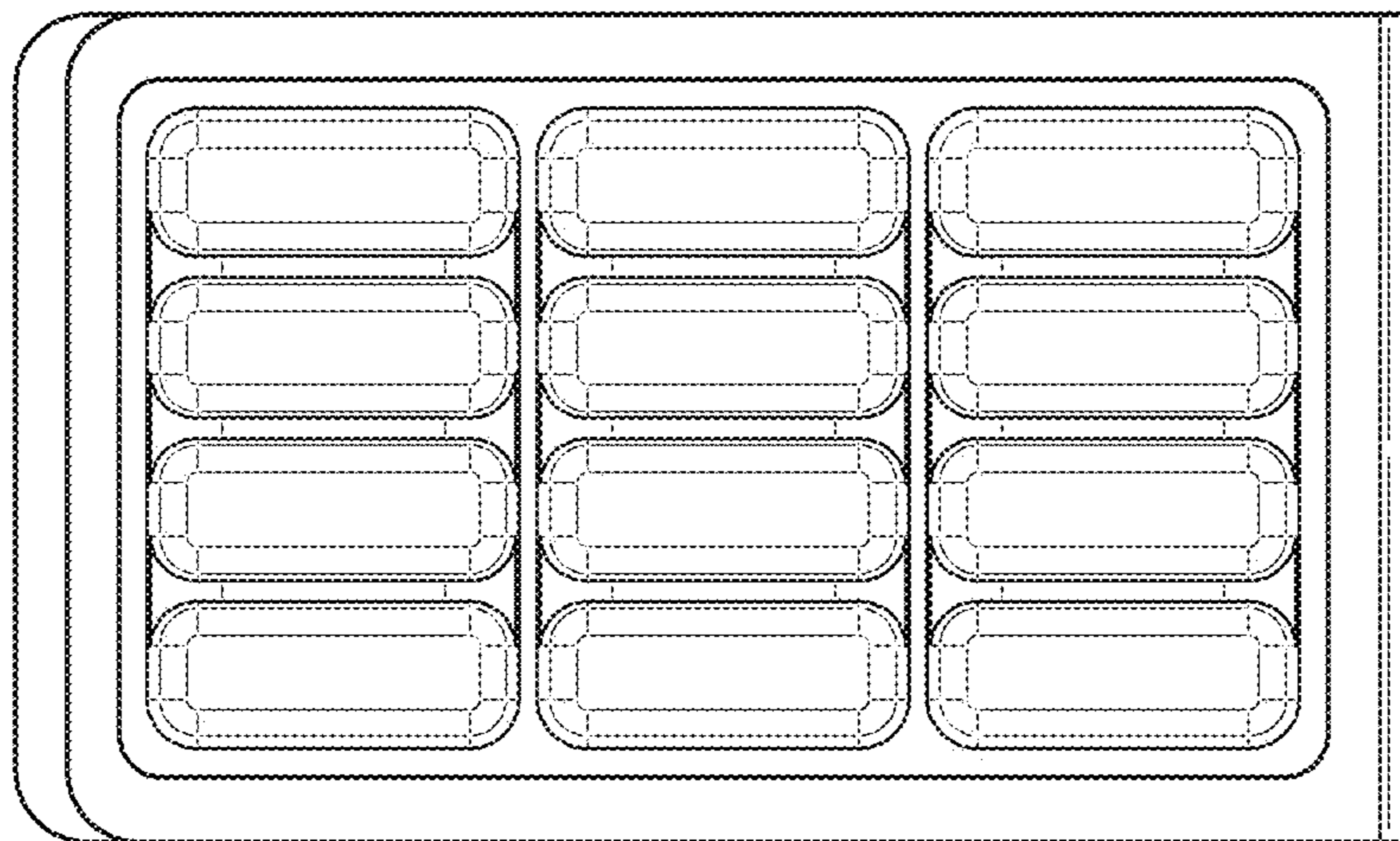


FIG. 5

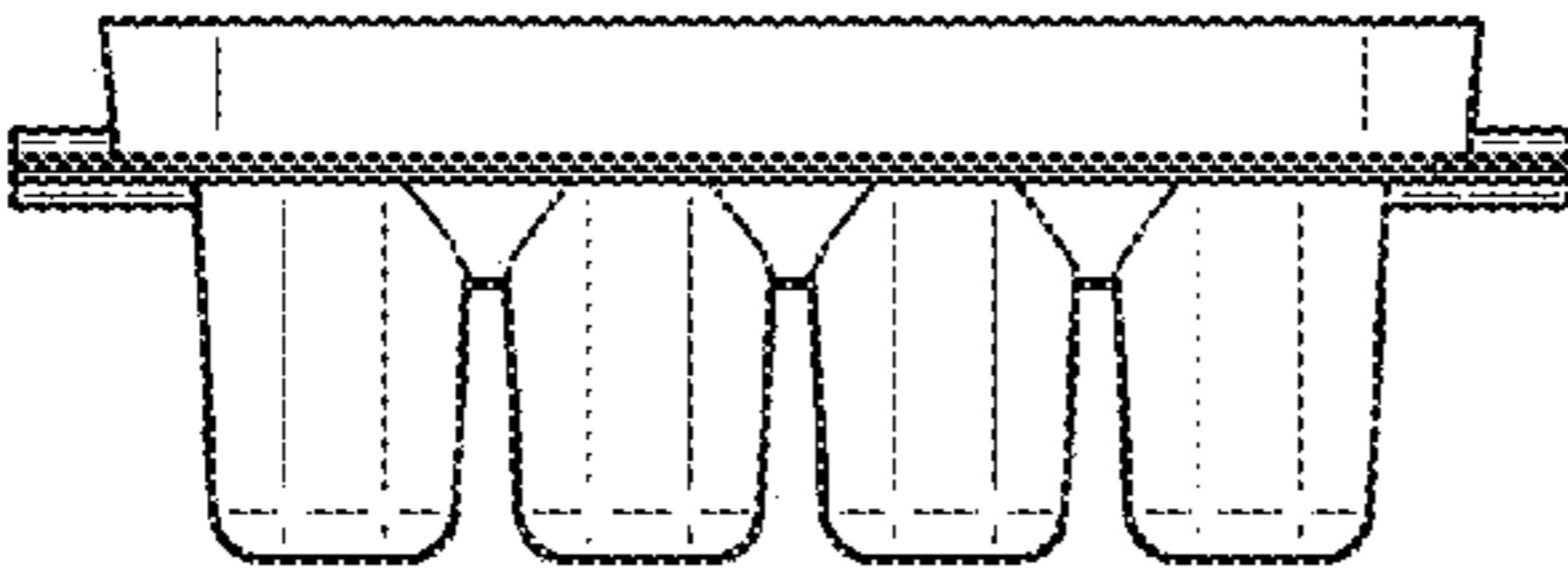


FIG. 6

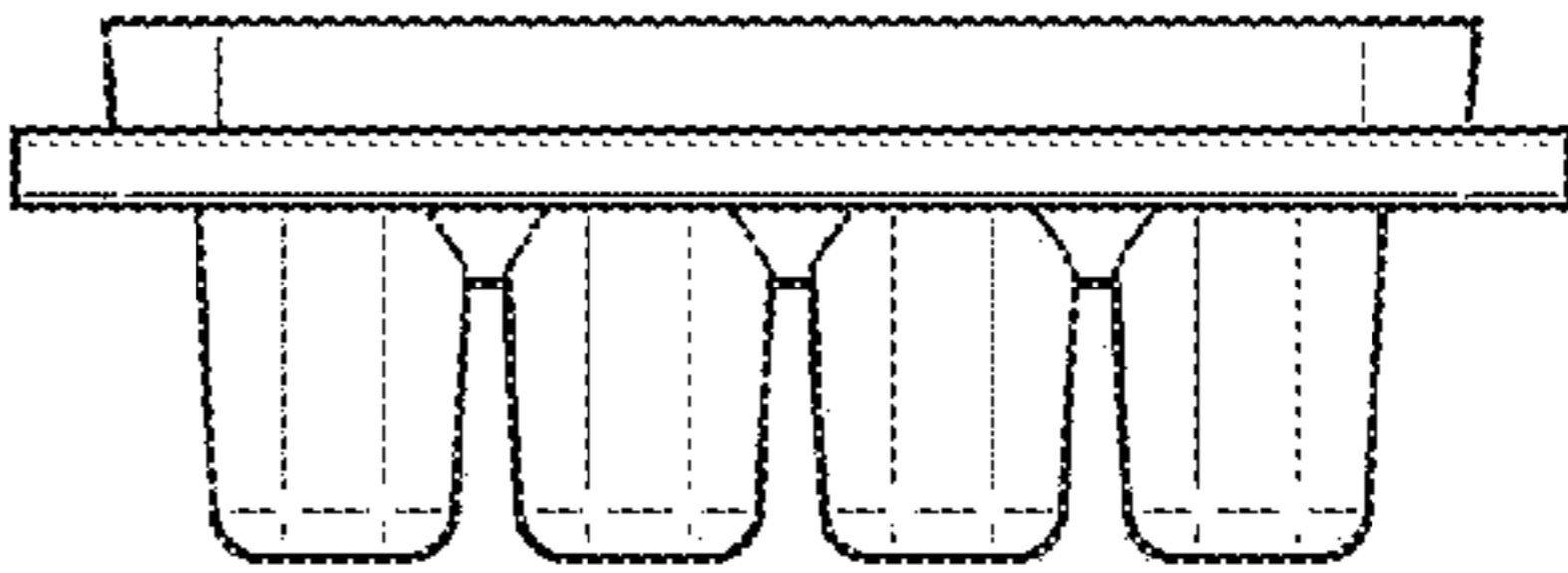


FIG. 7

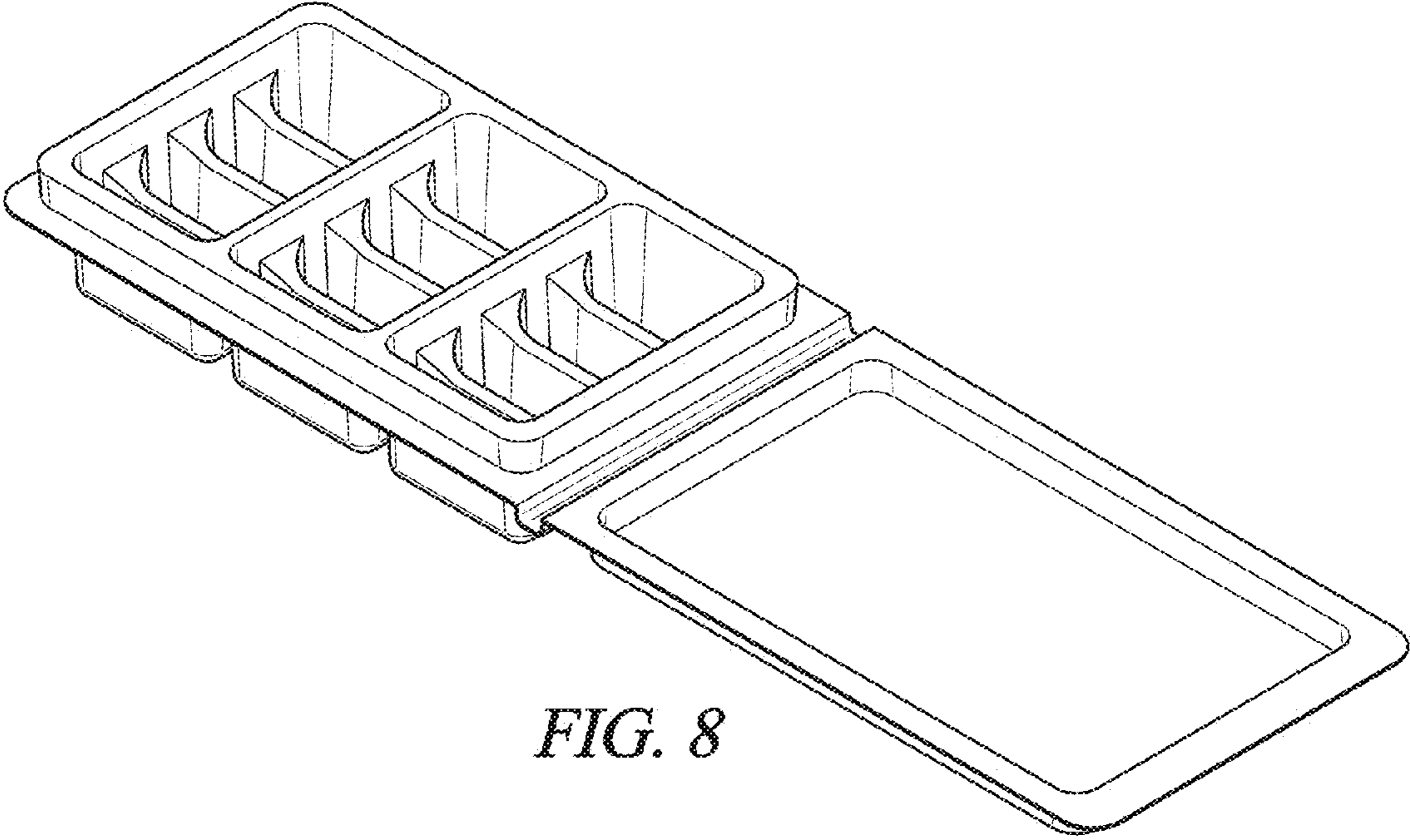


FIG. 8