



US00D748495S

(12) **United States Design Patent**  
**Young et al.**

(10) **Patent No.:** **US D748,495 S**  
(45) **Date of Patent:** **\*\* Feb. 2, 2016**

(54) **HANGING CONTAINER FOR DISPENSING PAPER PRODUCTS**

(71) Applicant: **Kimberly-Clark Worldwide, Inc.**,  
Neenah, WI (US)

(72) Inventors: **Rachael S. Young**, Atlanta, GA (US);  
**Mark M. Skolnik**, Cherry Hill, NJ (US);  
**Charlotte M. Ciccone**, Collegetown, PA (US);  
**Natalia Correa**, Alpharetta, GA (US);  
**Jill A. Calhoon**, Kaukauna, WI (US);  
**John W. McKellips**, Waukesha, WI (US);  
**Michael T. Pfeifer**, Hartford, WI (US)

(73) Assignee: **Kimberly-Clark Worldwide, Inc.**,  
Neenah, WI (US)

(\*\*) Term: **14 Years**

(21) Appl. No.: **29/459,126**

(22) Filed: **Jun. 26, 2013**

(51) **LOC (10) Cl.** ..... **09-01**

(52) **U.S. Cl.**  
USPC ..... **D9/734**; D9/432; D9/433

(58) **Field of Classification Search**  
USPC ..... D9/414, 418, 432, 433, 730, 734;  
206/45.21, 45.25, 233, 395, 409, 494,  
206/784, 812; 229/103, 117.12–117.18,  
229/162.6, 121, 122; 221/26, 36–43  
CPC ..... B65D 2571/0066; B65D 2571/00141;  
B65D 2571/00728; B65D 5/4608; B65D  
83/0805; B65D 2571/0045; B65D 5/4204;  
B65D 5/4208; B65D 5/72; B65D 2571/00549;  
B65D 83/0894; B65D 5/46096; B65D  
2571/0029; B65D 71/0022; B65D  
2571/00277; B65D 5/4295; B65D 5/54;  
B65D 5/18; B65D 5/42; B65D 83/08; B65D  
2571/00845; B65D 2571/00462; B65D  
2571/00314; B65D 75/56; B65D 5/5035;  
B65D 5/6605; B65D 5/46128; B65D 85/62;  
B65D 83/0811; B65D 5/46064; B65D 75/522;  
B65D 5/46; B65D 85/1036; B65D 85/00;

B65D 2519/00019; B65D 2519/00288; B65D  
2519/00497; B65D 2571/00611; B65D  
75/563; B65D 2519/00318; B65D  
2519/00373; Y10S 206/812; Y10S 206/806;  
Y10S 229/915; Y10S 206/82; Y10S 229/939;  
Y10S 206/804; Y10S 229/919; Y10S 206/815;  
Y10S 229/918; Y10S 229/93; Y10S 229/925;  
Y10S 229/916; Y10S 229/931; Y10S 229/924;  
Y10S 383/906

See application file for complete search history.

(56) **References Cited**

U.S. PATENT DOCUMENTS

2,793,801 A 5/1957 Papadopoulos  
D183,567 S \* 9/1958 Hagan ..... D9/432

(Continued)

OTHER PUBLICATIONS

Co-pending U.S. Appl. No. 29/459,128, filed Jun. 26, 2013, by Young et al. for “Hanging Container for Dispensing Towels.”

*Primary Examiner* — Derrick Holland

*Assistant Examiner* — Lauren Calve

(57) **CLAIM**

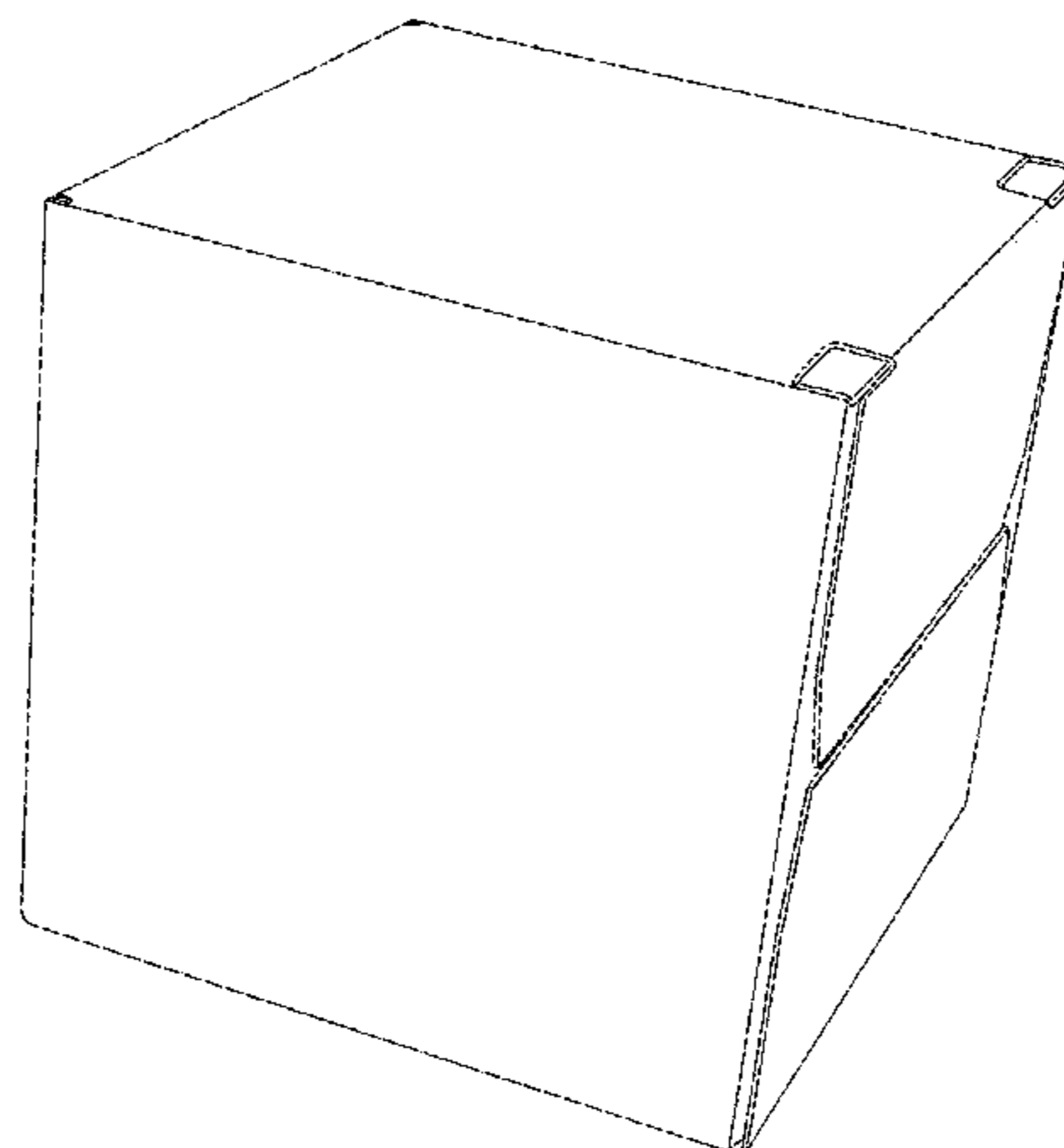
We claim the ornamental design for a hanging container for dispensing paper products, as shown and described.

**DESCRIPTION**

FIG. 1 is a perspective view of a hanging container for dispensing paper products showing our new design;  
FIG. 2 is a bottom view of the hanging container for dispensing paper products;  
FIG. 3 is a right side view of the hanging container for dispensing paper products;  
FIG. 4 is a back view of the hanging container for dispensing paper products;  
FIG. 5 is a left side view of the hanging container for dispensing paper products;  
FIG. 6 is a front view of the hanging container for dispensing paper products; and,  
FIG. 7 is a top view of the hanging container for dispensing paper products.

The broken lines represent unclaimed subject matter and form no part of the claimed design.

**1 Claim, 7 Drawing Sheets**



(56)

**References Cited**

U.S. PATENT DOCUMENTS

3,099,383 A 7/1963 Redpath et al.  
 3,189,249 A \* 6/1965 Fallert ..... 229/185  
 3,202,340 A 8/1965 Johnston  
 3,294,221 A \* 12/1966 Notko et al. .... 206/289  
 3,384,224 A 5/1968 Buckholz et al.  
 5,307,932 A \* 5/1994 Stout et al. .... 206/141  
 5,379,944 A \* 1/1995 Stout et al. .... 229/117.13  
 5,385,234 A 1/1995 Stout et al.  
 D372,861 S \* 8/1996 Hoell et al. .... D9/418  
 D379,586 S \* 6/1997 Hale ..... D9/418  
 5,738,273 A \* 4/1998 Auclair ..... 229/117.13

D396,805 S 8/1998 Broyles  
 5,794,778 A \* 8/1998 Harris ..... 206/428  
 D413,802 S \* 9/1999 Glover et al. .... D9/416  
 6,302,320 B1 10/2001 Stout  
 D511,092 S \* 11/2005 Shea ..... D9/433  
 D584,143 S \* 1/2009 Lee ..... D9/734  
 D702,565 S \* 4/2014 Gale ..... D9/734  
 D727,142 S \* 4/2015 Bankowski ..... D9/418  
 D728,364 S \* 5/2015 Baker et al. .... D9/432  
 2003/0136820 A1 \* 7/2003 Negelen ..... 229/117.13  
 2006/0266812 A1 11/2006 Von Bokel  
 2011/0000956 A1 1/2011 Junge  
 2012/0321754 A1 \* 12/2012 Block ..... 426/108

\* cited by examiner

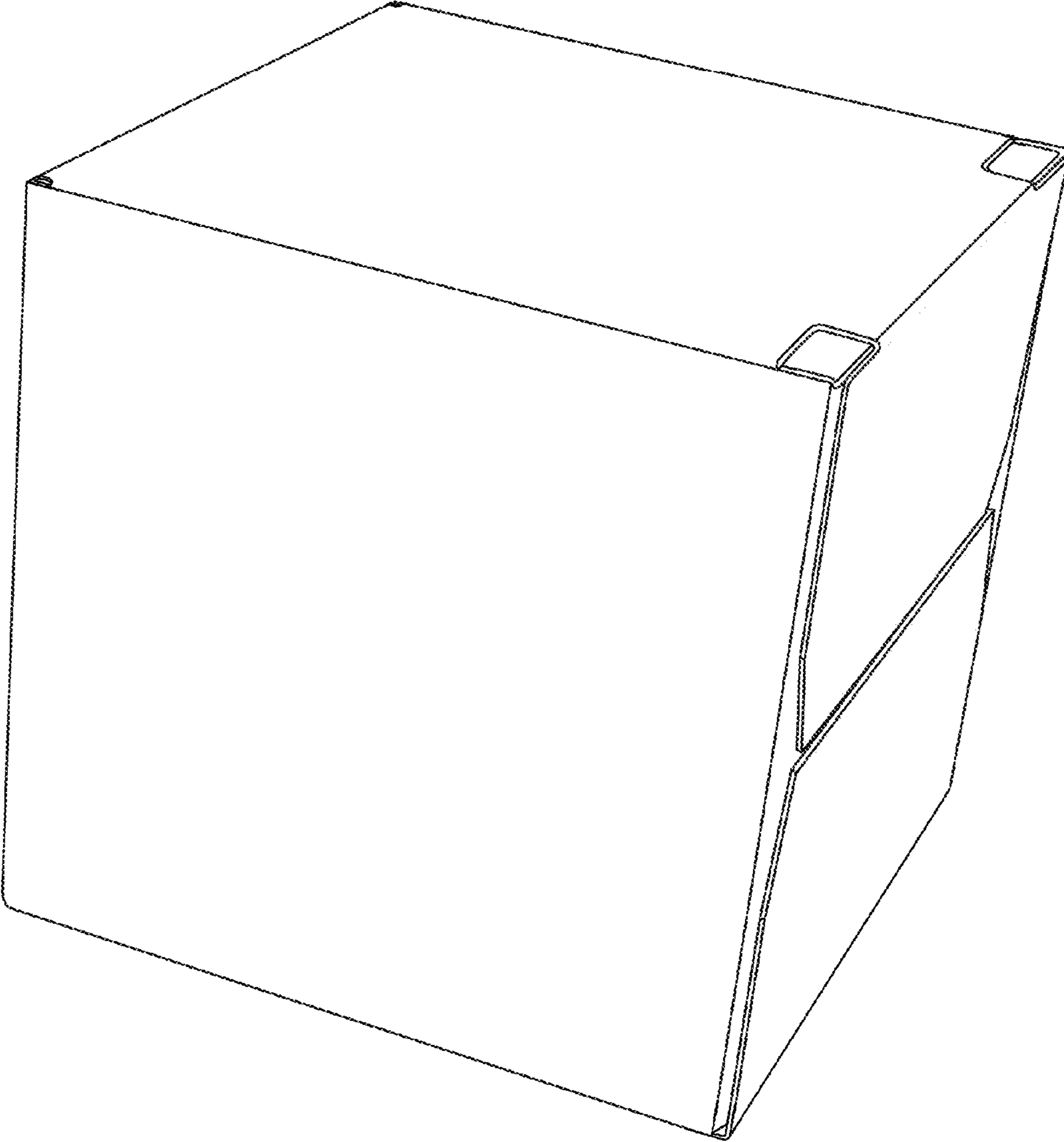


FIG. 1

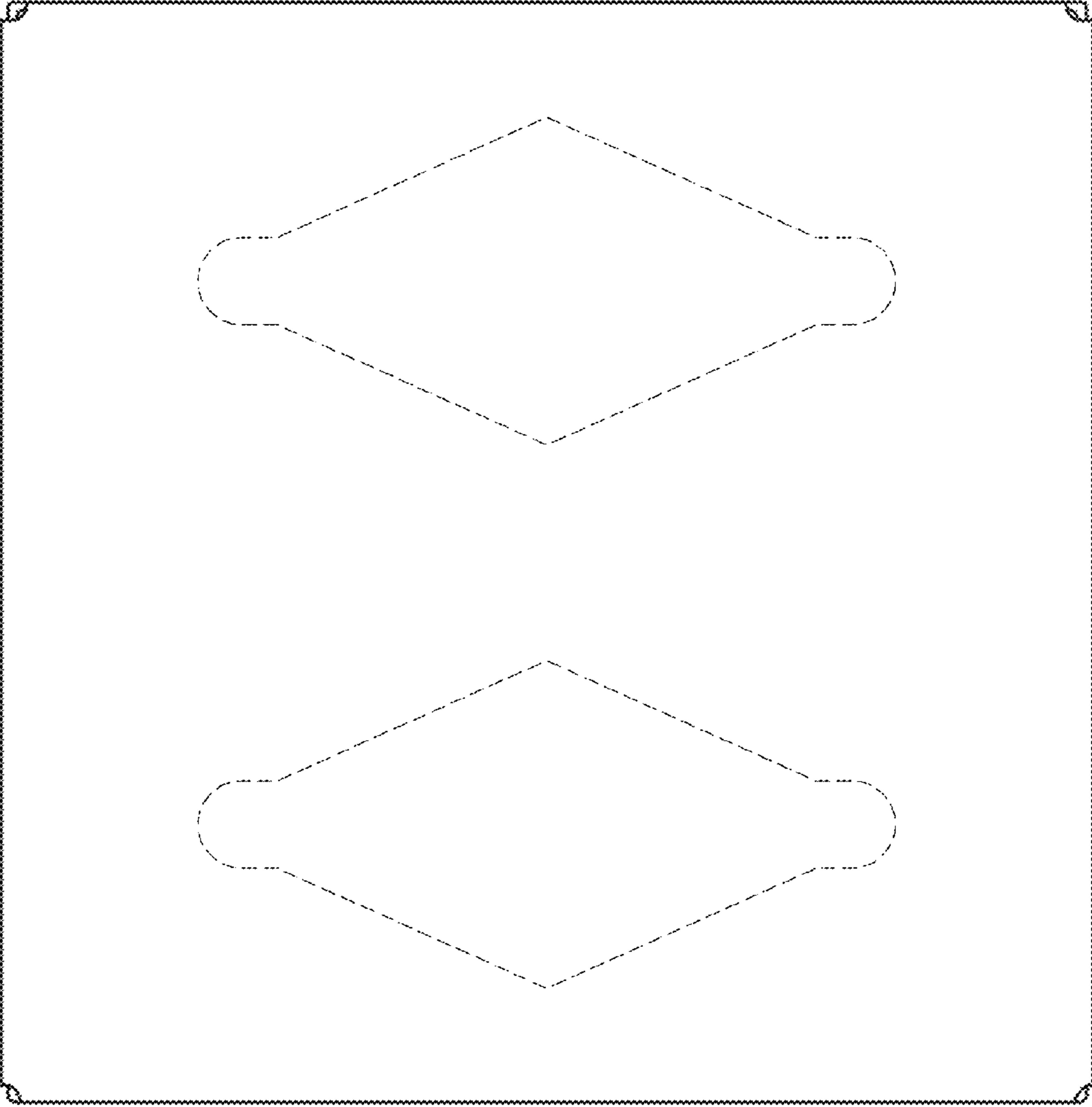


FIG. 2

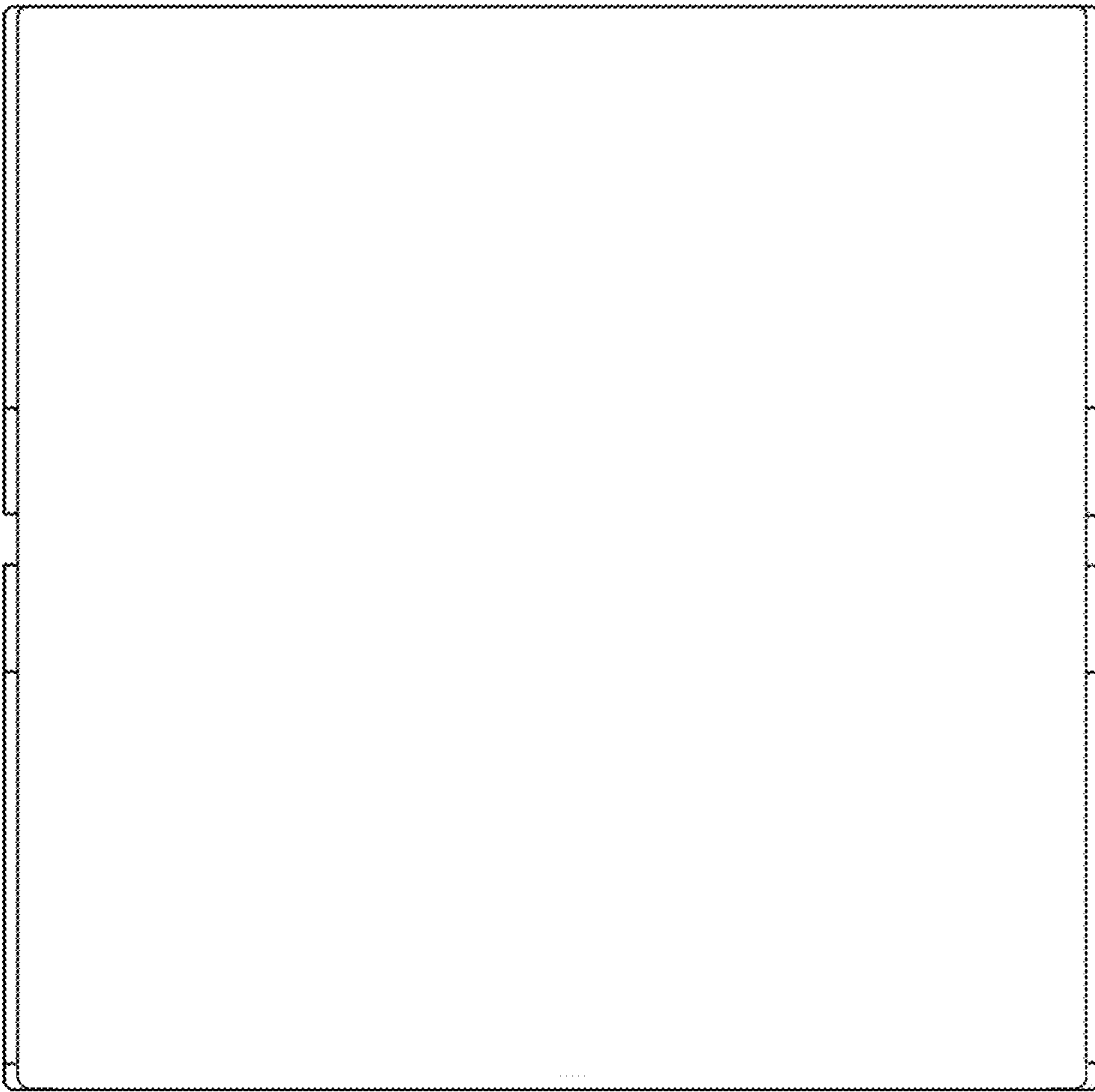


FIG. 3

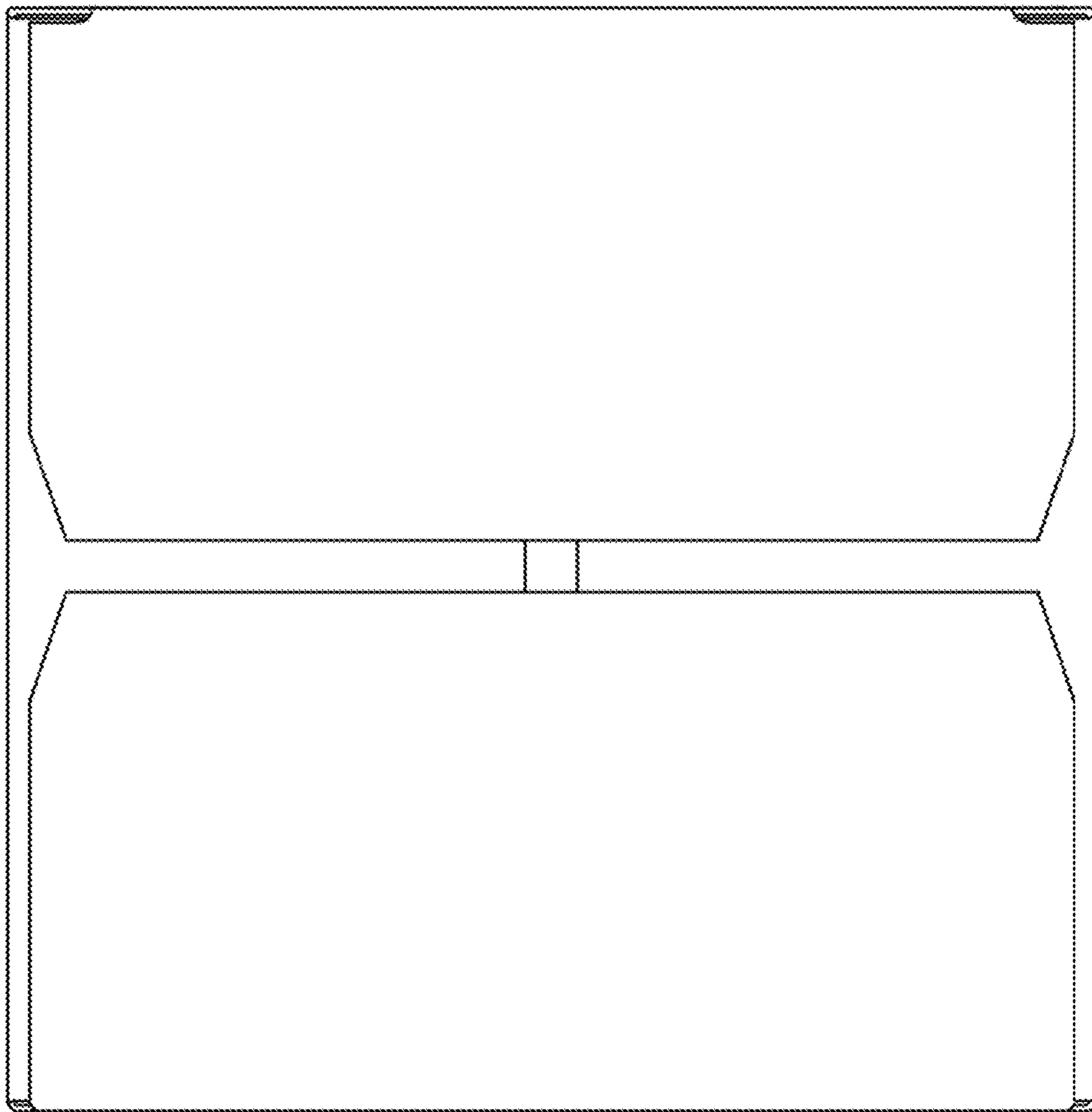


FIG. 4

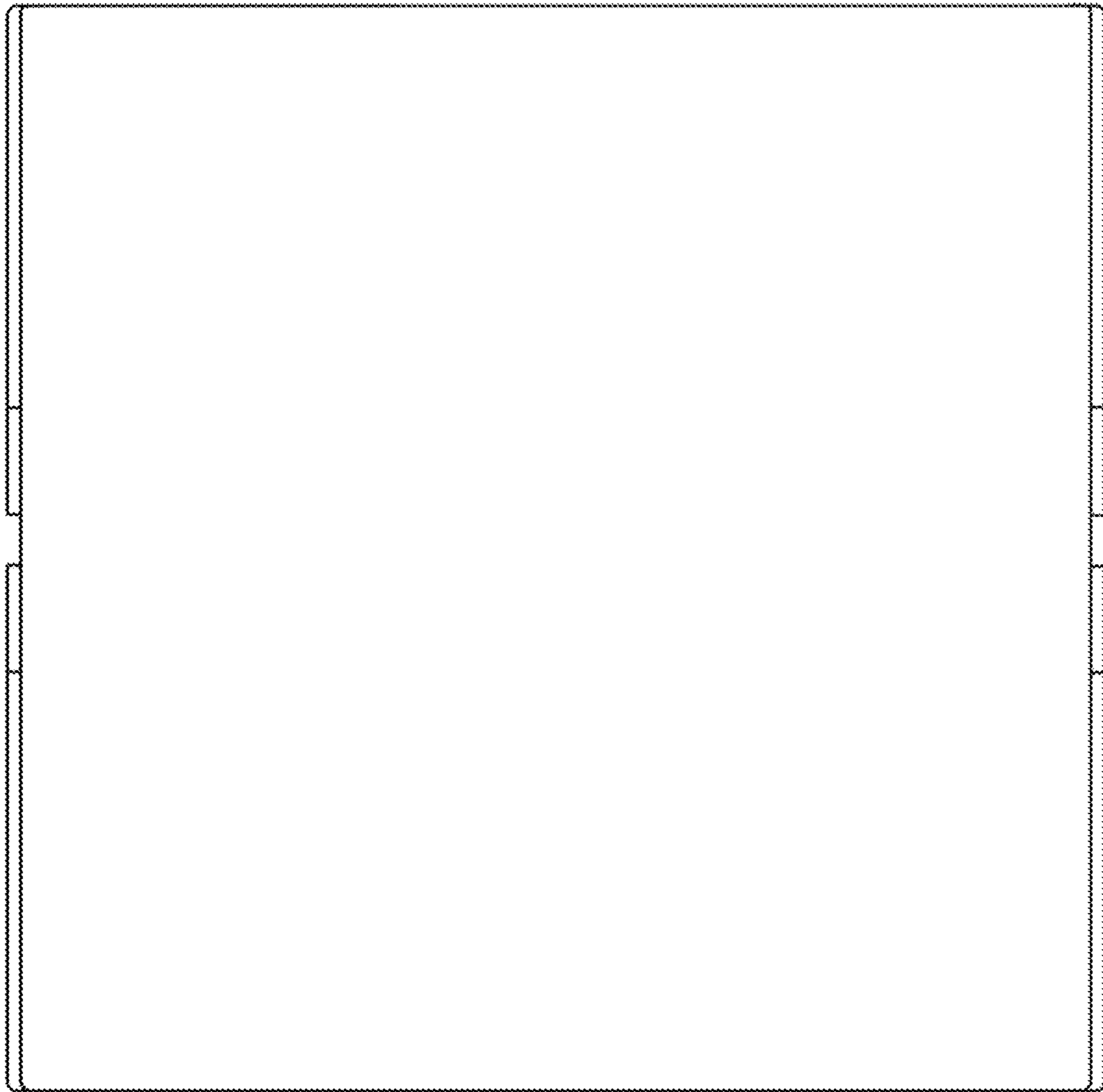


FIG. 5

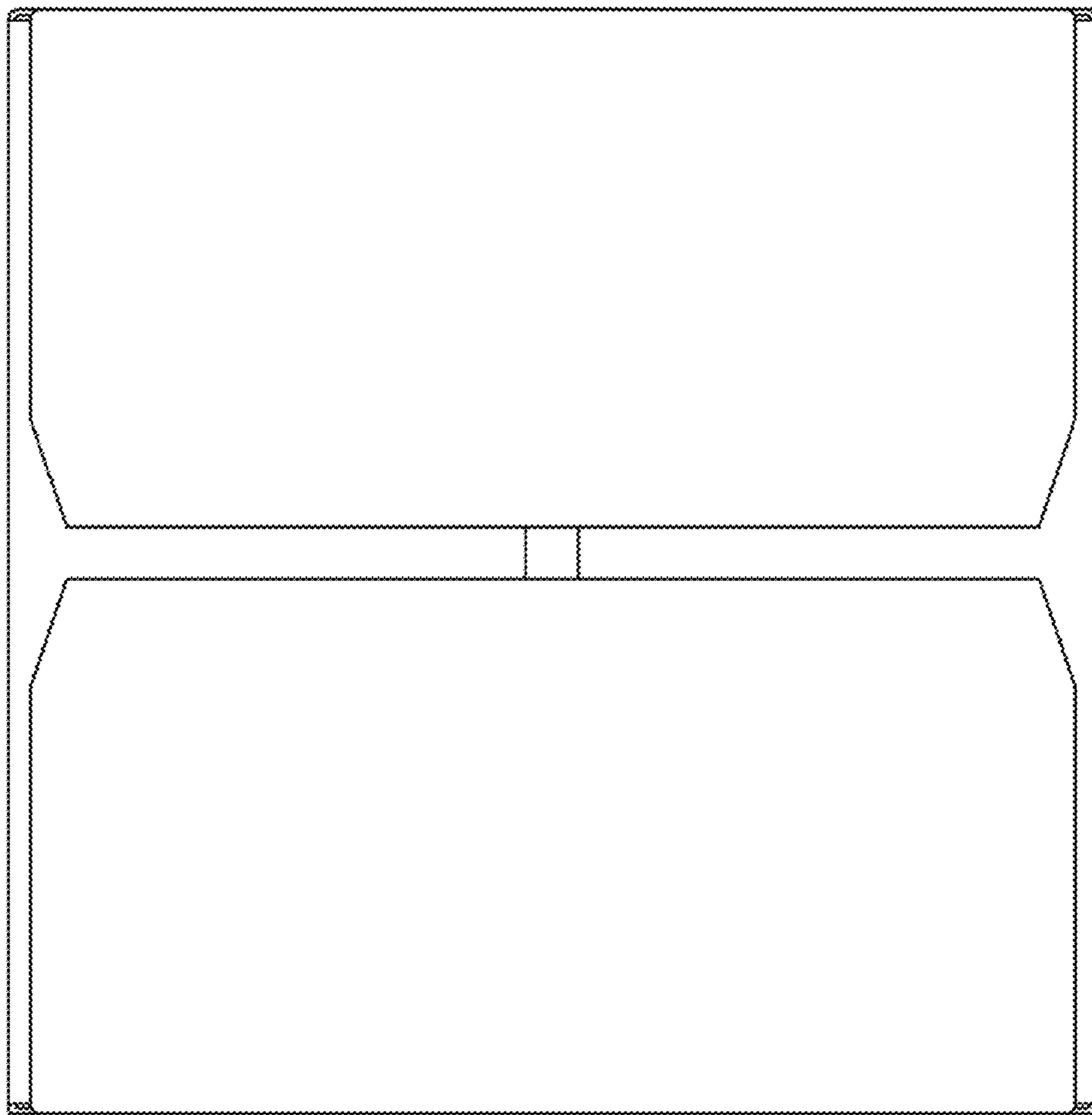


FIG. 6



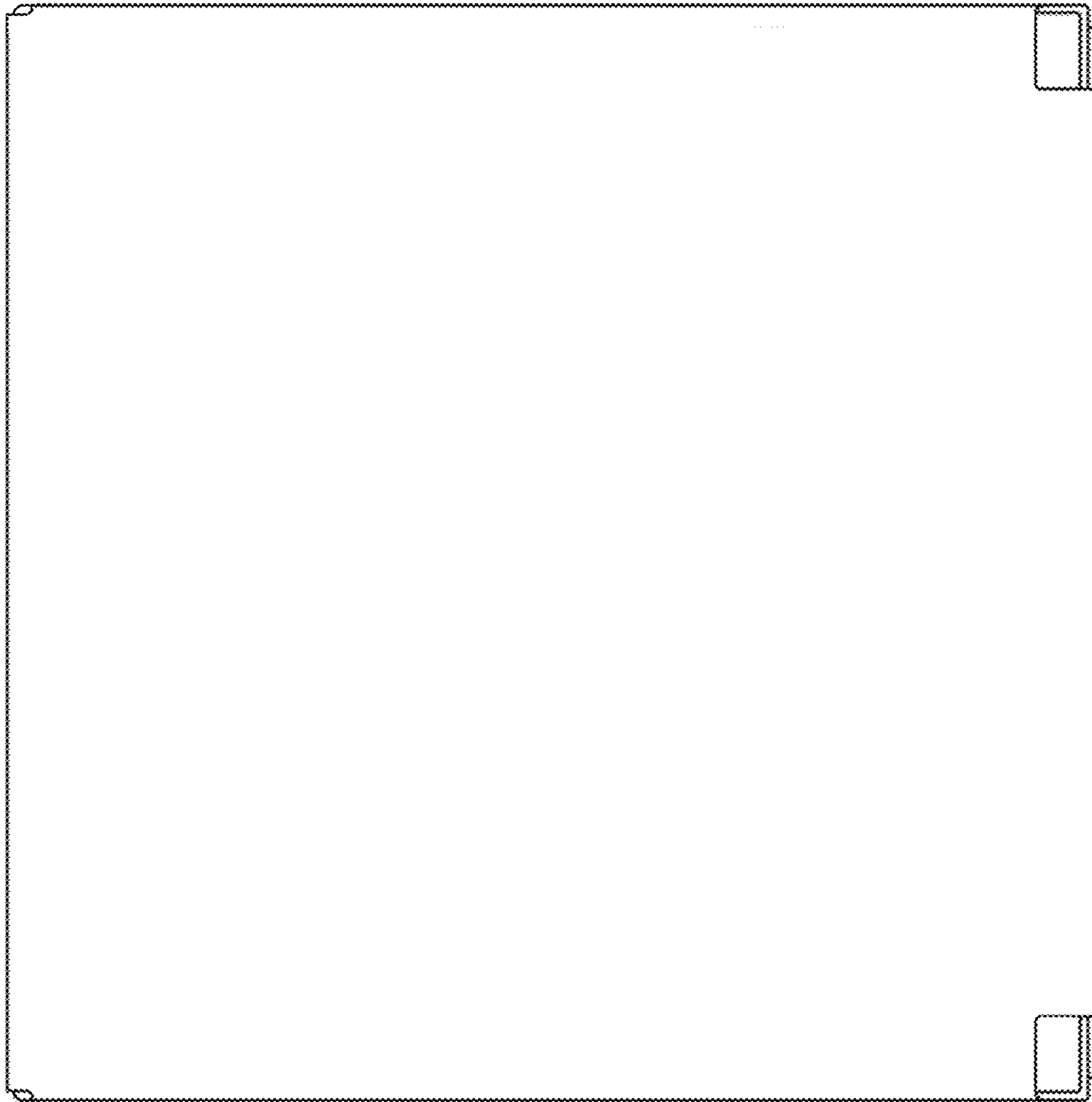


FIG. 7