



US00D748493S

(12) **United States Design Patent**
Fay

(10) **Patent No.:** **US D748,493 S**

(45) **Date of Patent:** **** *Feb. 2, 2016**

(54) **CONTAINER**

(71) Applicant: **Maverick Engineering (Pty) Ltd,**
Athlone (ZA)

(72) Inventor: **Derek Martin Fay,** Constantia (ZA)

(73) Assignee: **MAVERICK ENGINEERING (PTY)**
LTD, Athlone (ZA)

(*) Notice: This patent is subject to a terminal disclaimer.

(**) Term: **14 Years**

(21) Appl. No.: **29/438,970**

(22) Filed: **Dec. 5, 2012**

(51) **LOC (10) Cl.** **09-05**

(52) **U.S. Cl.**
USPC **D9/709**

(58) **Field of Classification Search**
USPC D9/697-699, 702-712, 539, 544, 574,
D9/516, 449, 442, 521, 529, 434, 435, 523,
D9/526-528, 531, 537-538, 549, 551;
215/355, 376, 389, 387, 353, 380-385,
215/398; 222/212, 92, 95, 105, 96, 107,
222/215, 541.5, 129, 206, 175, 210, 207;
D28/91.1, 5; 220/669, 495.3, 288,
220/592.16, 592.17; D24/117-118, 121;
D7/317, 511, 509, 321, 510, 603, 605;
383/200, 83, 120, 906, 61.1, 63,
383/80-81, 104, 203; 206/822; 428/85;
D3/202

CPC B65D 75/00; B65D 77/06; B65D 63/00
See application file for complete search history.

(56) **References Cited**

U.S. PATENT DOCUMENTS

3,814,288	A *	6/1974	Westrich	222/129
D234,939	S *	4/1975	Hager et al.	D3/202
D237,047	S *	10/1975	Westrich et al.	D3/202
D238,248	S *	12/1975	Westrich et al.	D3/202
5,188,266	A	2/1993	Loulias		
D456,599	S *	5/2002	Lekacos	D3/202
D474,975	S *	5/2003	DeBiasse	D9/521
D487,396	S *	3/2004	Scharnweber	D9/708
D693,566	S *	11/2013	Martin	D3/202
D693,567	S *	11/2013	Martin	D3/202
2005/0236428	A1	10/2005	Quigley et al.		

* cited by examiner

Primary Examiner — Caron D Veynar

Assistant Examiner — Abraham Bahta

(74) *Attorney, Agent, or Firm* — B. Aaron Schulman, Esq.;
Stites & Harbison, PLLC

(57) **CLAIM**

The ornamental design for a container, as shown and described.

DESCRIPTION

FIG. 1 is a top, front and left side view of a container showing the new design.

FIG. 2 is a front view thereof.

FIG. 3 is a rear view thereof.

FIG. 4 is a top view thereof.

FIG. 5 is a bottom view thereof.

FIG. 6 is a right side view thereof; and,

FIG. 7 is a left side view thereof.

The broken lines in FIGS. 1-7 showing the spout and cap form no part of the claimed design.

1 Claim, 6 Drawing Sheets

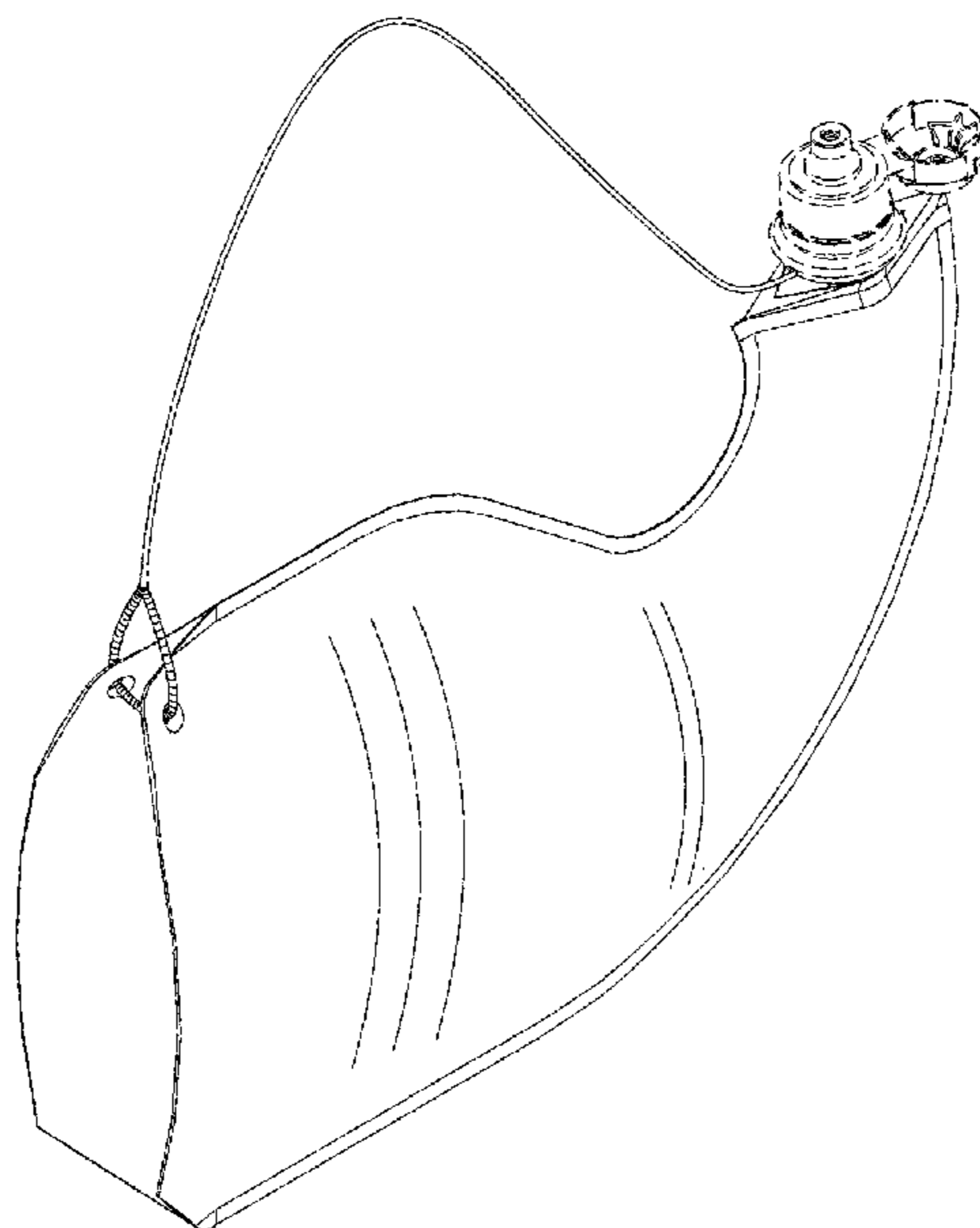


FIG. 1

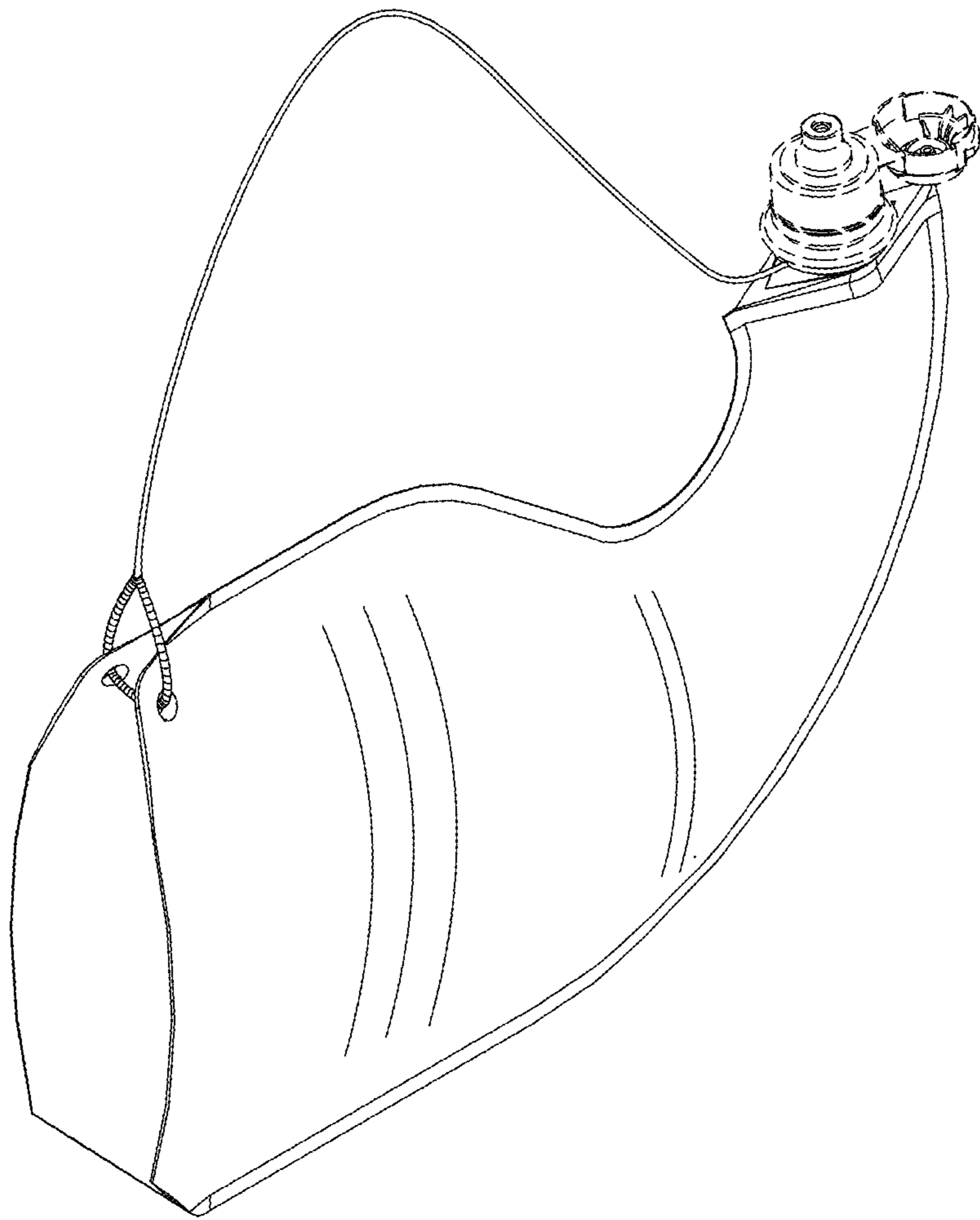


FIG. 2

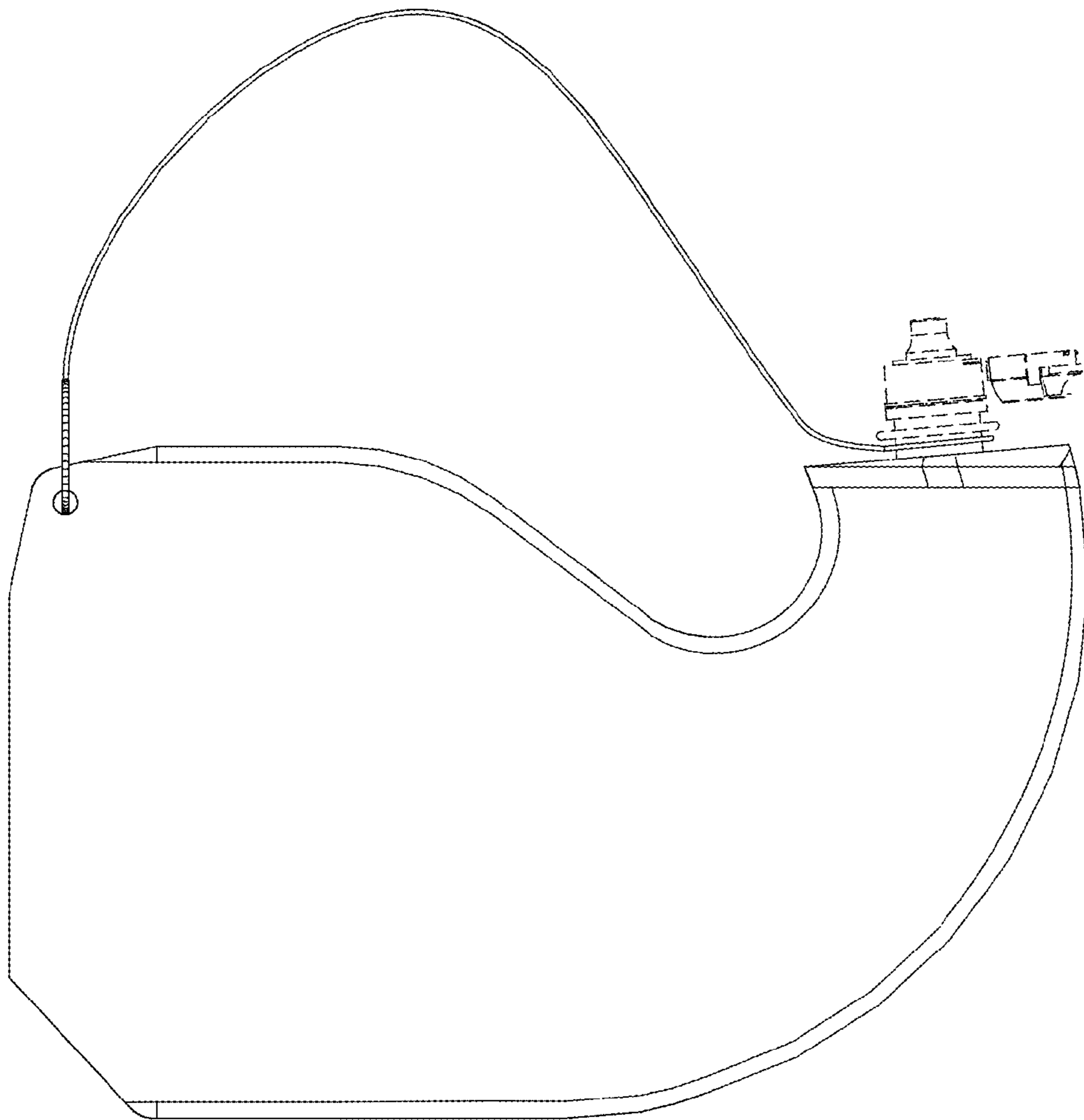


FIG. 3

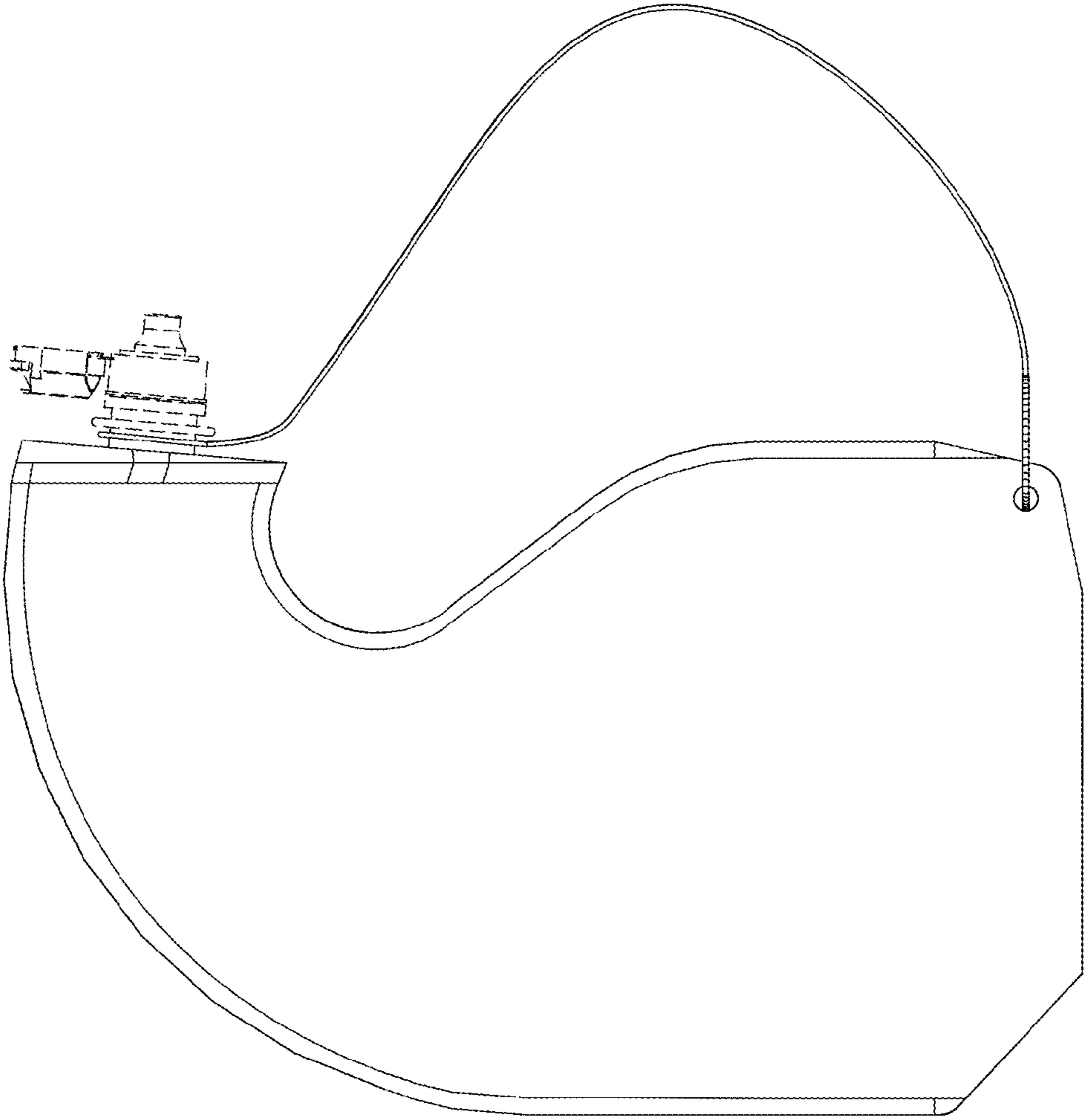


FIG. 4

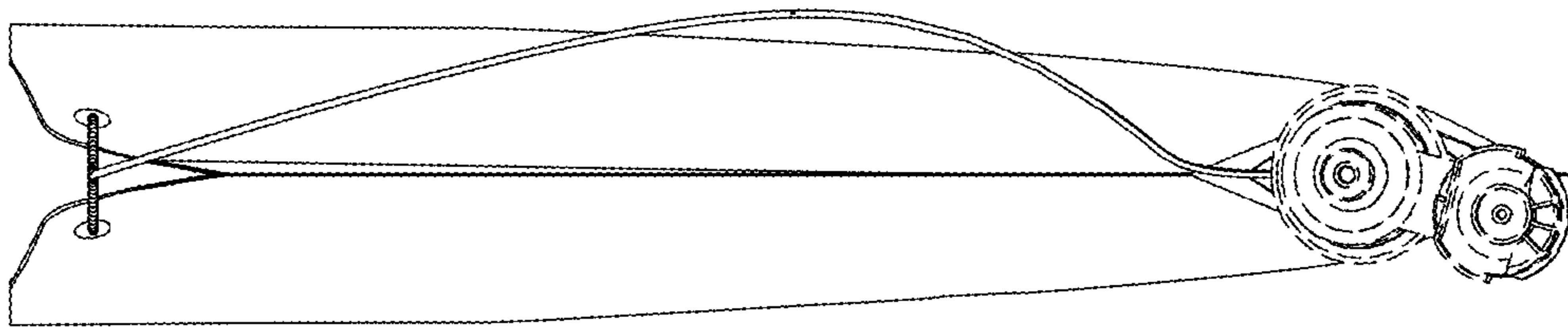


FIG. 5

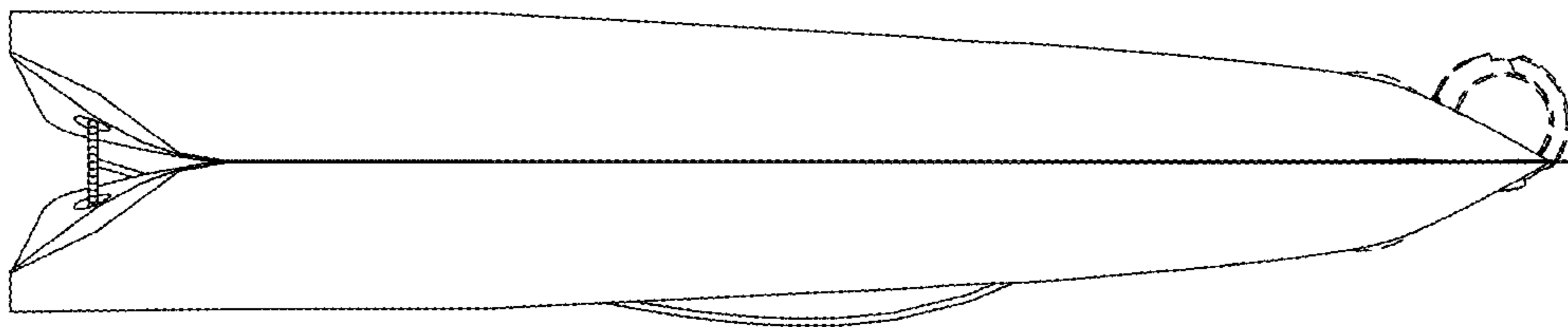


FIG. 6

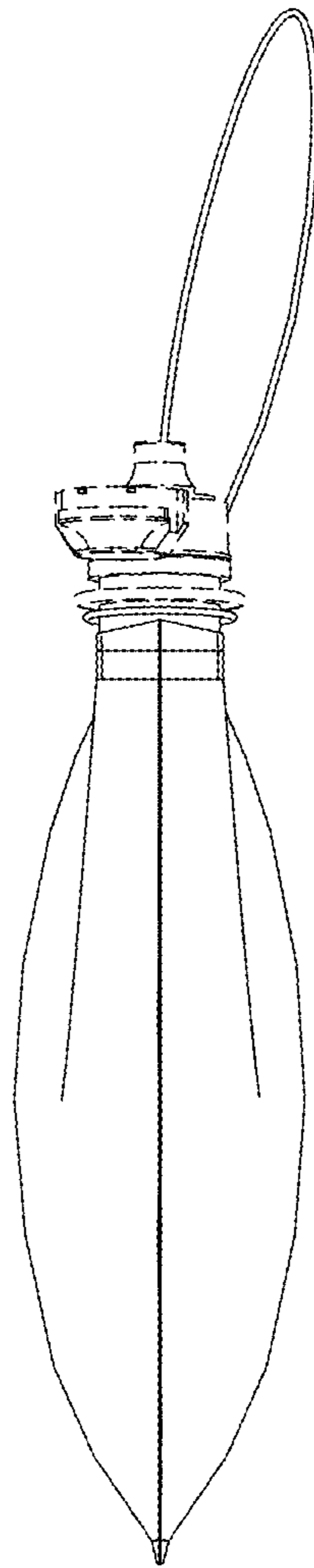


FIG. 7

