



US00D748491S

(12) **United States Design Patent**
Jin

(10) **Patent No.:** **US D748,491 S**
(45) **Date of Patent:** **** Feb. 2, 2016**

(54) **BOTTLE**

(71) Applicant: **Conopco, Inc.**, Englewood Cliffs, NJ
(US)

(72) Inventor: **Jing Jin**, Shanghai (CN)

(73) Assignee: **Conopco, Inc.**, Englewood Cliffs, NJ
(US)

(**) Term: **14 Years**

(21) Appl. No.: **29/497,811**

(22) Filed: **Jul. 29, 2014**

(30) **Foreign Application Priority Data**

Feb. 19, 2014 (EM) 002407700-0001

(51) **LOC (10) Cl.** **09-01**

(52) **U.S. Cl.**
USPC **D9/682**

(58) **Field of Classification Search**
USPC D9/682-694, 719, 516, 517, 520, 526,
D9/529, 544, 545, 549-558, 563-568, 435,
D9/436, 444, 445, 447-449, 441, 451, 655,
D9/661, 664, 667; D6/542; D28/76-91.1
CPC B65D 83/14; B65D 83/16; B65D 83/20;
B65D 83/22; B65D 83/222; B65D 83/38;
B65D 83/40; B65D 1/0223; B65D 2501/0081;
B05B 11/00; B05B 11/0037; B05B 11/3001;
B05B 11/3042; B05B 11/3043; B05B
11/3045; B05B 11/3047; B05B 11/3052;
B05B 11/3059; B05B 11/306; A45D
2034/007; A45D 34/00
See application file for complete search history.

(56) **References Cited**

U.S. PATENT DOCUMENTS

D348,388 S * 7/1994 Kuzma D9/682
D362,391 S 9/1995 Gobe

D425,432 S * 5/2000 Lewin D9/558
D446,129 S * 8/2001 de Giovellina D9/575
D458,149 S * 6/2002 Cummings D9/571
6,779,689 B2 * 8/2004 Flaig et al. 222/182
D521,873 S 5/2006 Ross
D545,682 S 7/2007 Mongeon
D563,233 S * 3/2008 Patzak D9/558
D569,736 S 5/2008 Oates
D575,166 S * 8/2008 Miller et al. D9/693
D591,164 S 4/2009 Ribadeneira Mejia
D591,613 S * 5/2009 Mason D9/694

(Continued)

FOREIGN PATENT DOCUMENTS

JP 1238591 3/2005

OTHER PUBLICATIONS

Co-pending Application: Applicant: Jin; Filed: Jul. 29, 2014; U.S.
Appl. No. 29/497,802.

(Continued)

Primary Examiner — Catherine Tuttle

(74) *Attorney, Agent, or Firm* — Karen E. Klumas

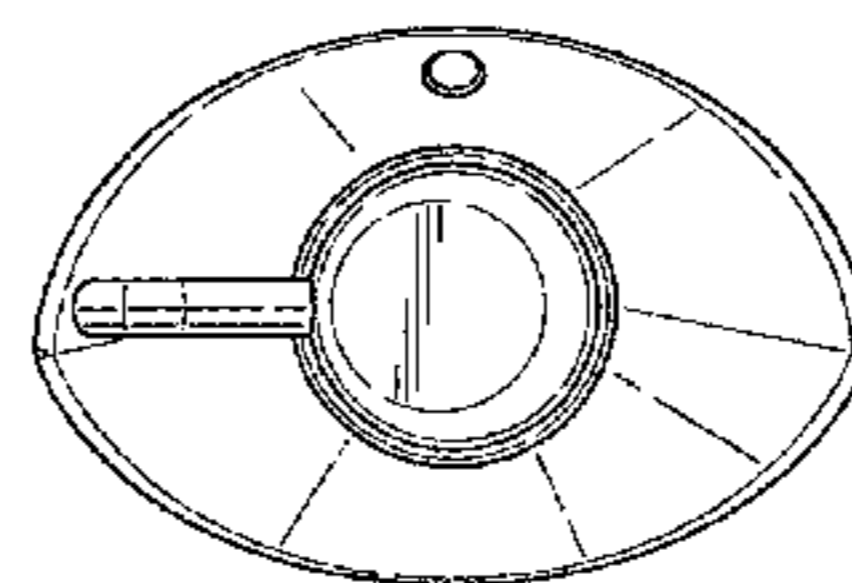
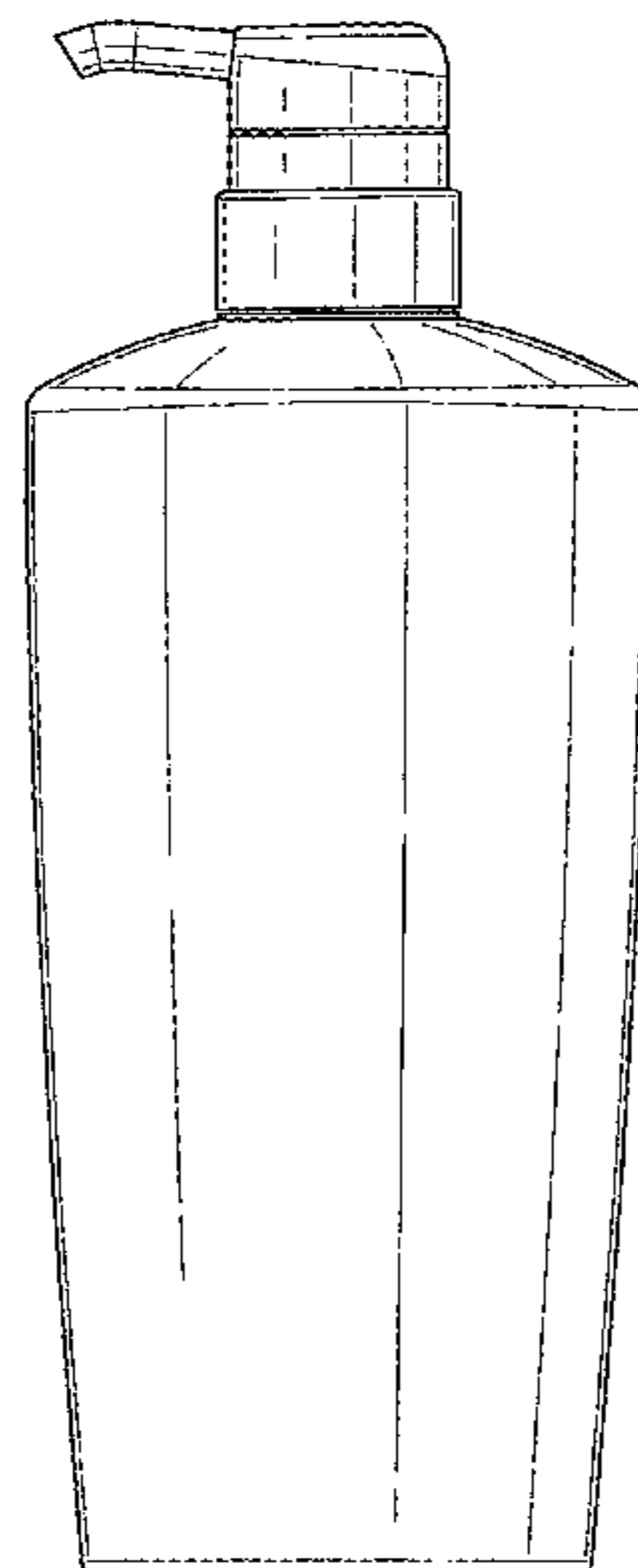
(57) **CLAIM**

The ornamental design for a bottle, as shown and described.

DESCRIPTION

FIG. 1 is a perspective view from above and one side;
FIG. 2 is a front elevational view;
FIG. 3 is a rear elevational view;
FIG. 4 is a side elevational view;
FIG. 5 is an elevational view of the other side;
FIG. 6 is a top plan view; and,
FIG. 7 is an underneath plan view.
The broken lines shown in FIG. 7 are included for the purpose
of illustrating a portion of the bottle that forms no part of the
claimed design.

1 Claim, 5 Drawing Sheets



(56)

References Cited

U.S. PATENT DOCUMENTS

D601,035 S 9/2009 Rangaswamy
D623,527 S * 9/2010 Wykoff D9/522
D626,843 S 11/2010 Oates
D626,858 S * 11/2010 Oates et al. D9/682
D632,585 S * 2/2011 Jebb et al. D9/682
D652,306 S 1/2012 Drake et al.
D659,008 S * 5/2012 Gately et al. D9/565
D666,501 S 9/2012 Brummelhuis
D717,178 S * 11/2014 Brewer et al. D9/693

2001/0037991 A1* 11/2001 Harris 215/370
2005/0072808 A1* 4/2005 Kitamura 222/309
2009/0095775 A1* 4/2009 Domoy et al. 222/212
2014/0331416 A1* 11/2014 Akinbobola et al. 8/405

OTHER PUBLICATIONS

Co-pending Application: Applicant: Jin; Filed: Jul. 29, 2014; U.S. Appl. No. 29/497,806.

Co-pending Application: Applicant: Jin; Filed: Jul. 29, 2014; U.S. Appl. No. 29/497,818.

* cited by examiner

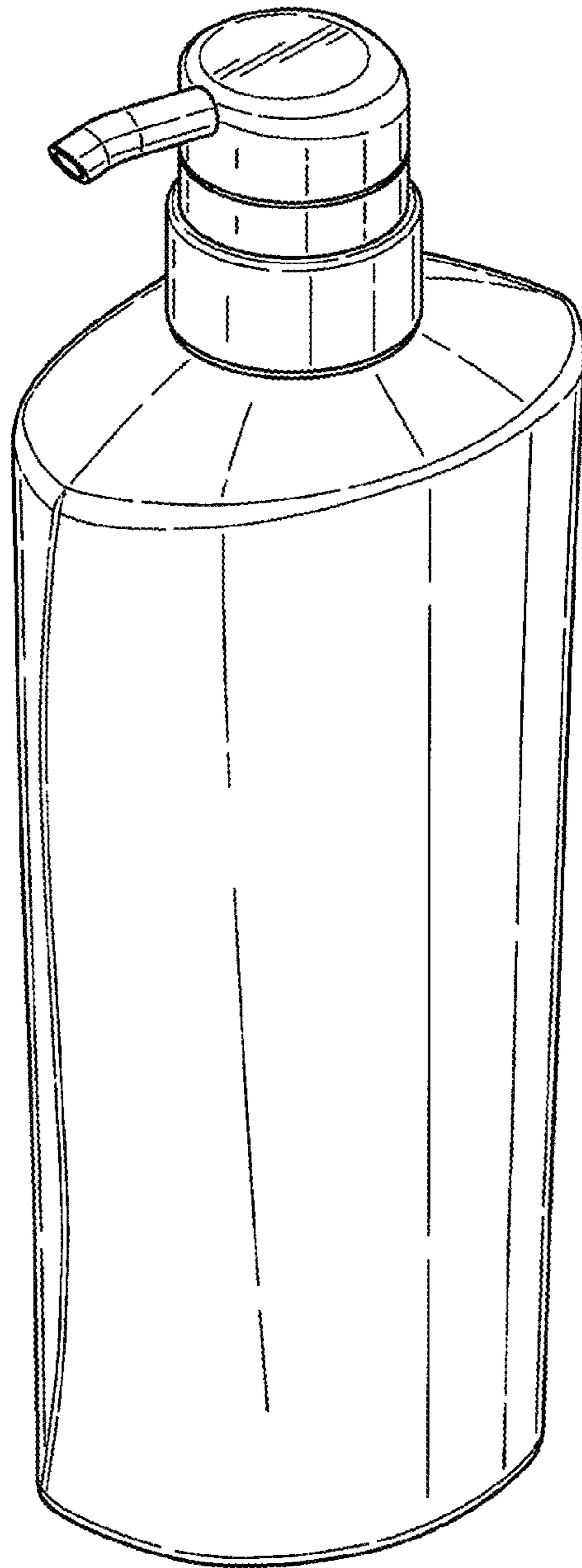


Fig. 1

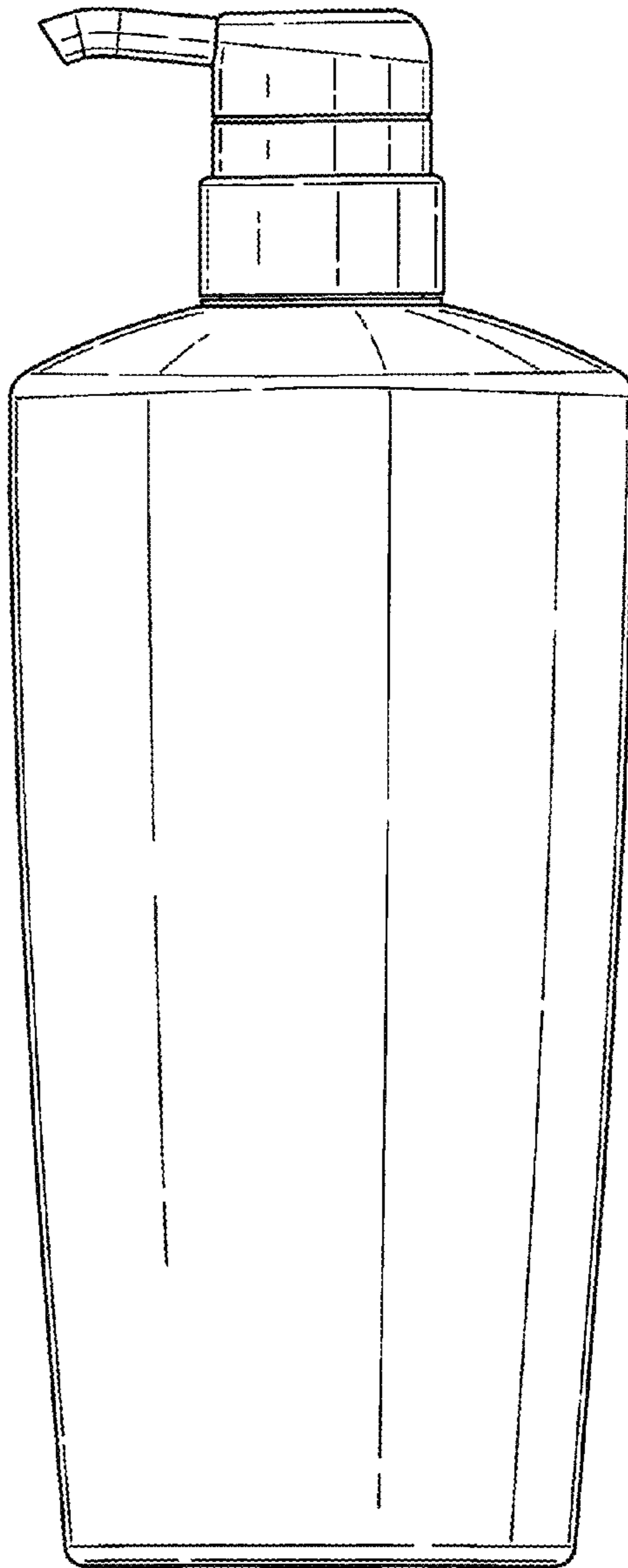


Fig. 2

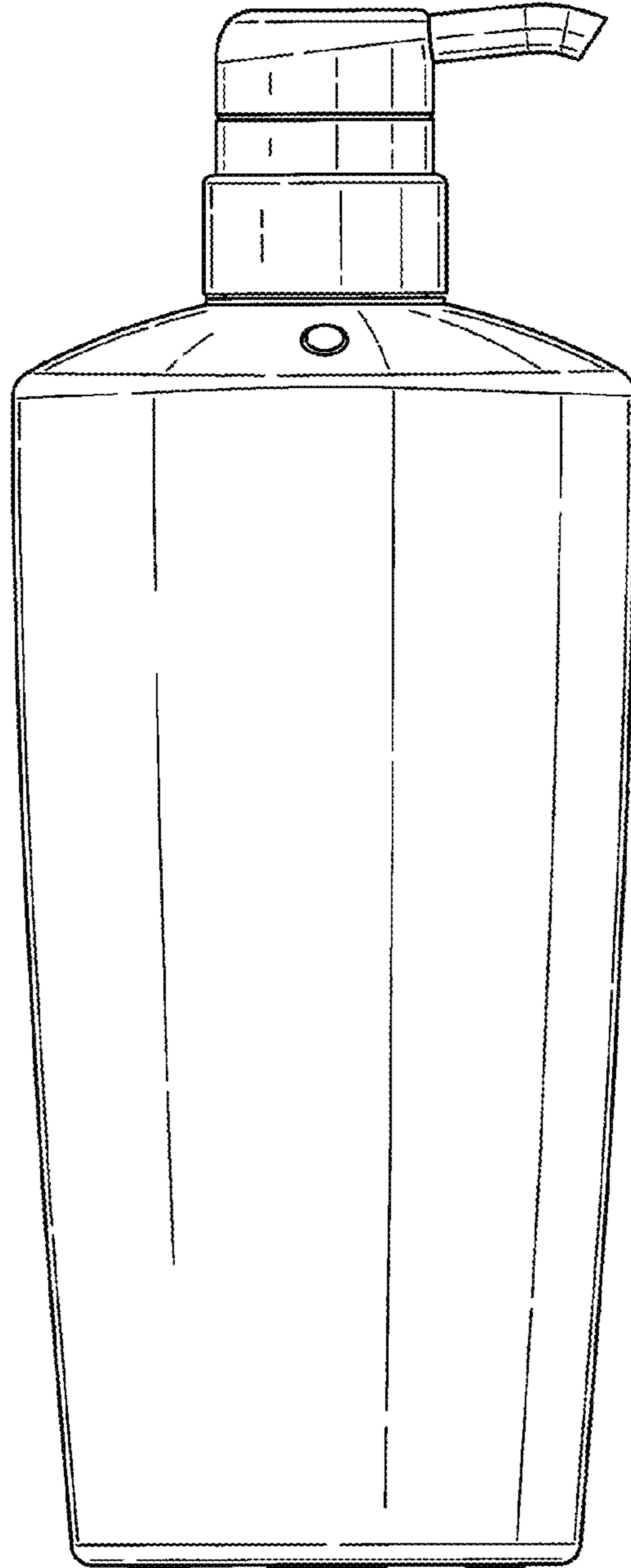


Fig. 3

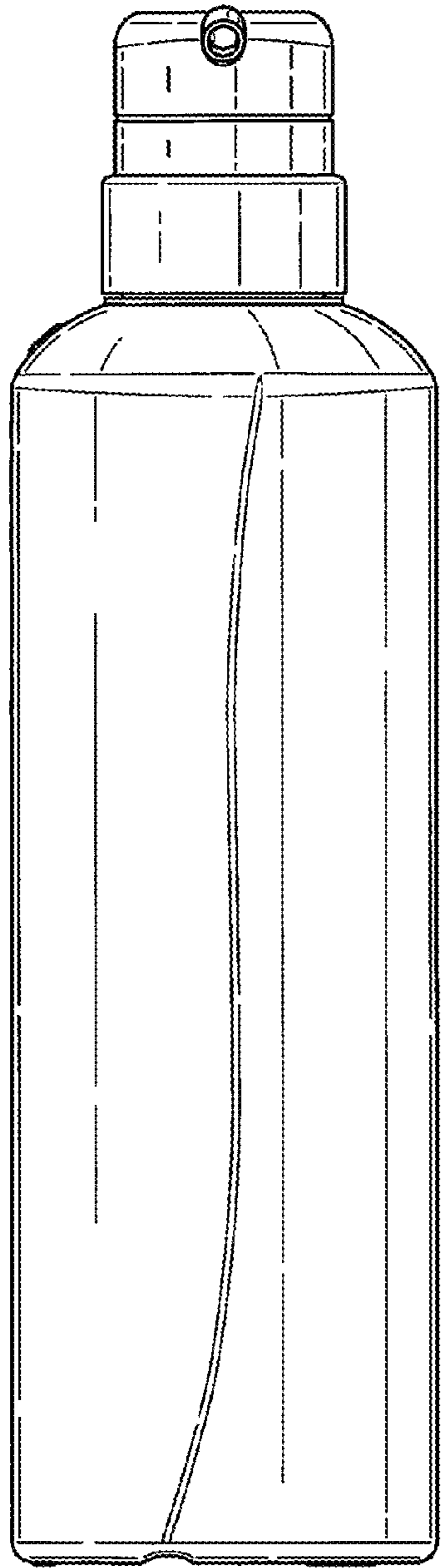


Fig. 4

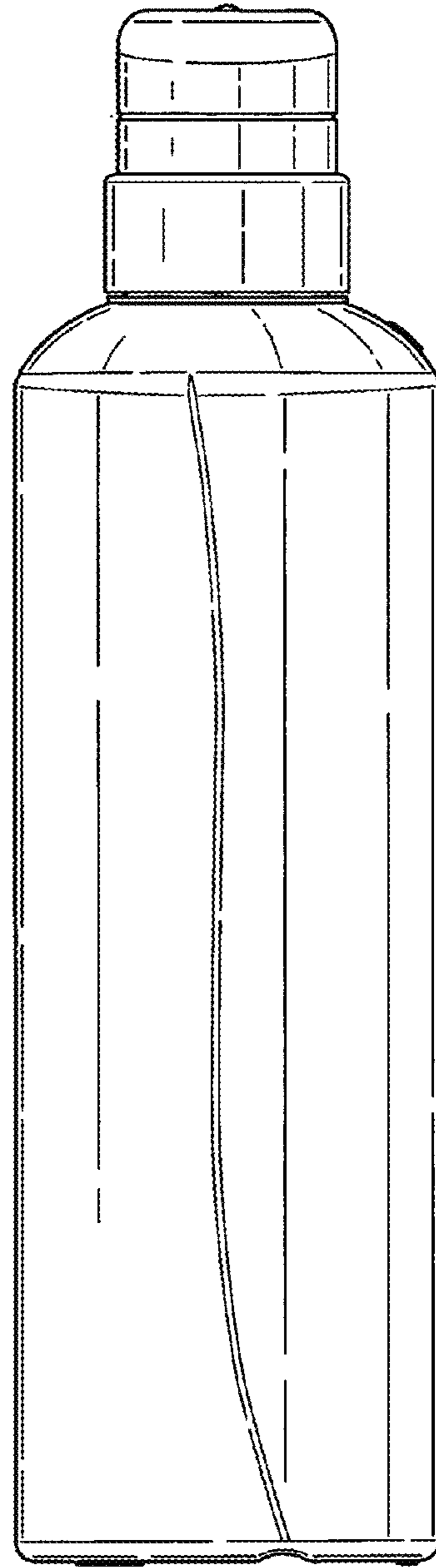


Fig. 5

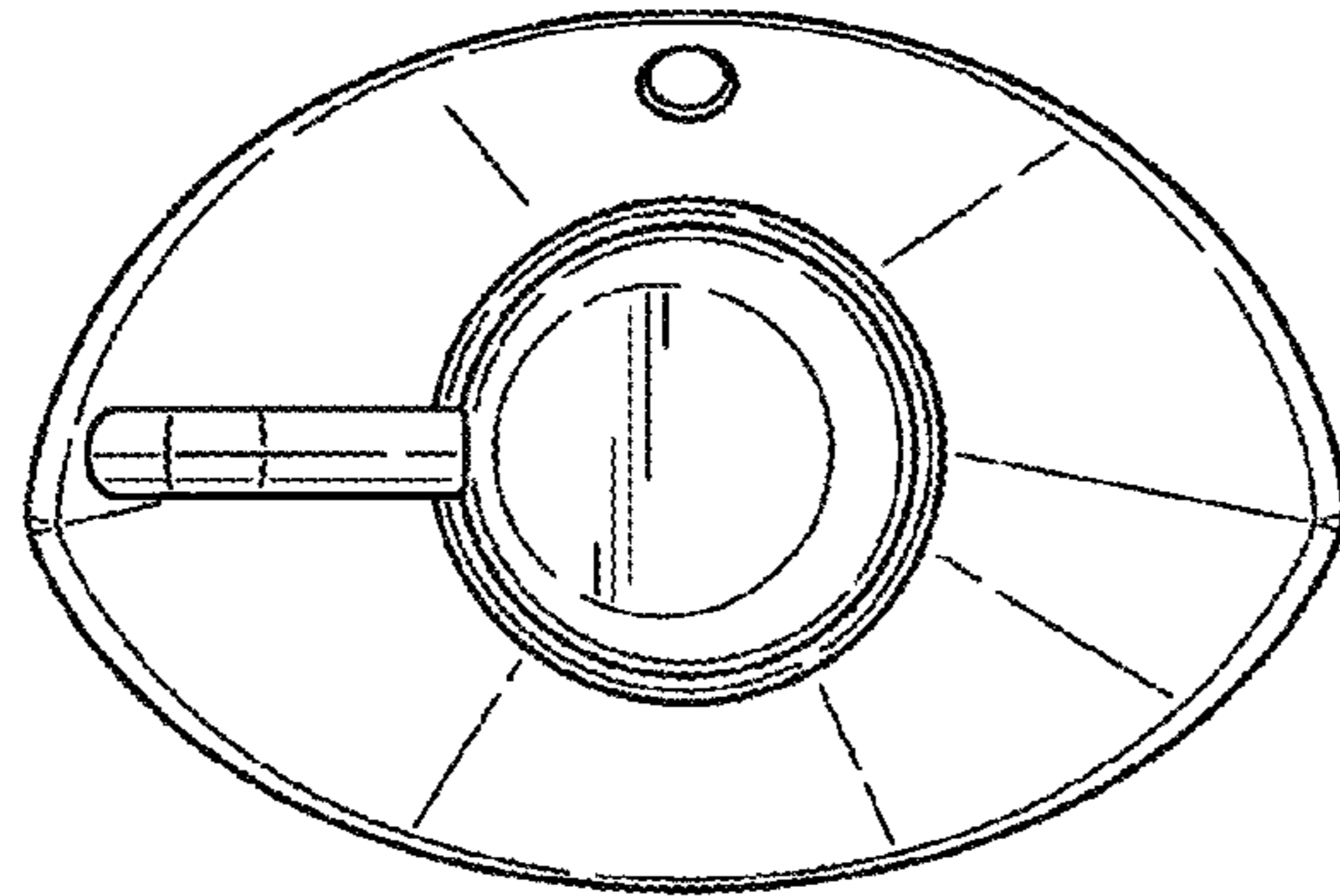


Fig. 6

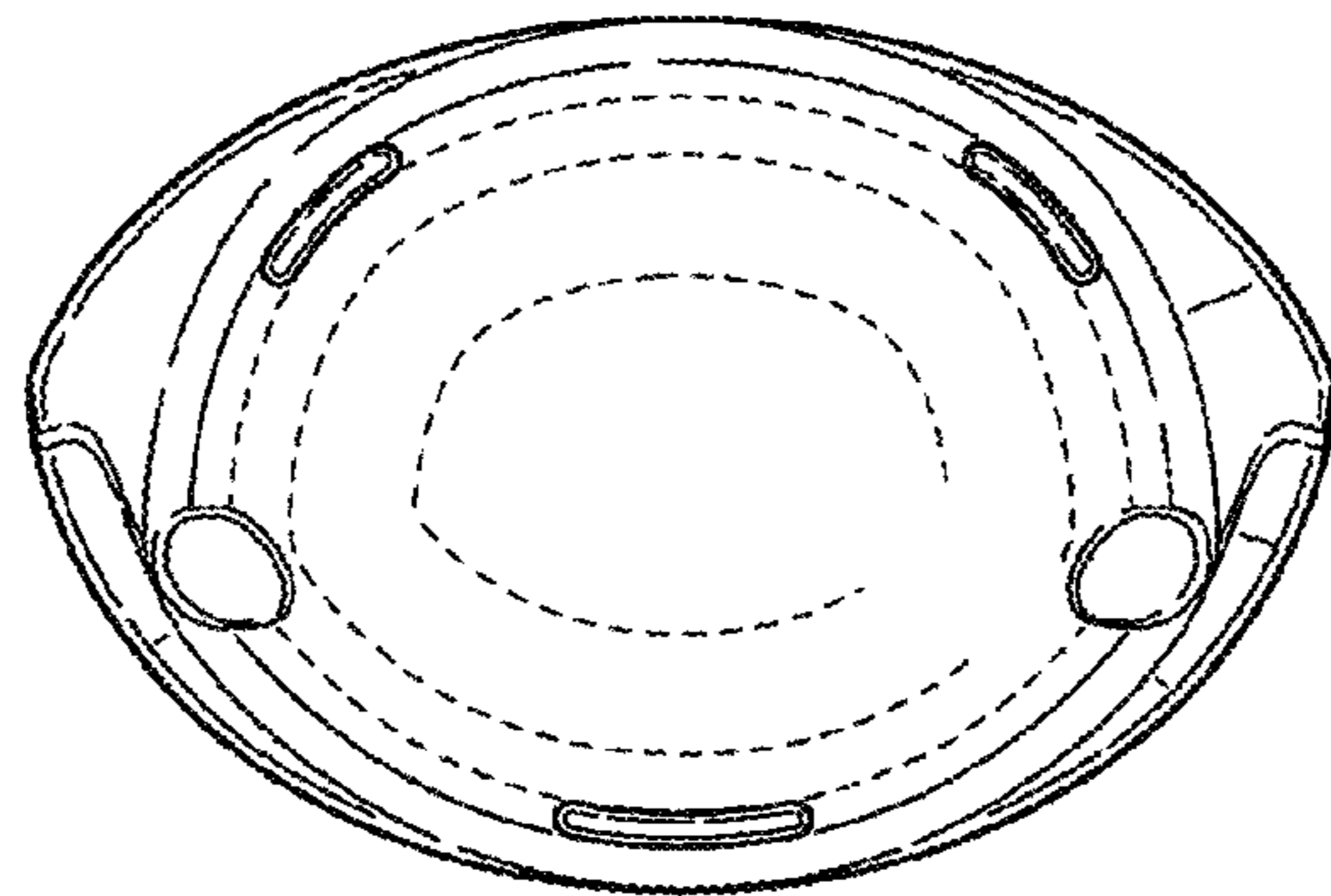


Fig. 7