



US00D748479S

(12) **United States Design Patent**
Barkerding et al.

(10) **Patent No.:** **US D748,479 S**

(45) **Date of Patent:** **** *Feb. 2, 2016**

(54) **BEVERAGE CARRIER WITH DETACHABLE SLEEVES**

(71) Applicant: **SMARTPAK, LLC**, New Orleans, LA (US)

(72) Inventors: **Pike Barkerding**, New Orleans, LA (US); **Robert Henry Post**, Covington, LA (US)

(73) Assignee: **SmartPak, LLC**, New Orleans, LA (US)

(*) Notice: This patent is subject to a terminal disclaimer.

(**) Term: **14 Years**

(21) Appl. No.: **29/513,123**

(22) Filed: **Dec. 26, 2014**

(51) **LOC (10) Cl.** **09-07**

(52) **U.S. Cl.**
USPC **D9/455**

(58) **Field of Classification Search**
USPC D3/269, 117.14, 120.14, 117.13,
D3/120.27, 406; D9/455, 456, 755, 420,
D9/424, 425, 428, 432, 760, 761, 759;
220/520, 839; 206/189, 194, 198, 171,
206/178, 140, 815, 203, 141, 162
CPC B65D 71/00; B65D 71/58; B65D 71/52;
B31B 3/00

See application file for complete search history.

(56) **References Cited**

U.S. PATENT DOCUMENTS

2,284,290	A	5/1942	Crook	
2,457,307	A *	12/1948	Hall et al.	206/165
2,457,308	A *	12/1948	Hall et al.	206/189
2,630,264	A	3/1953	Holy	
2,658,659	A *	11/1953	Hall	206/172
2,688,421	A *	9/1954	Forrer	206/184
2,887,245	A *	5/1959	Levkoff	206/180

(Continued)

Primary Examiner — Cynthia Ramirez

Assistant Examiner — Gino Colan

(74) *Attorney, Agent, or Firm* — Adams IP, LLC; J. Hunter Adams; Stephen Thompson

(57) **CLAIM**

The ornamental design for a beverage carrier with detachable sleeves, as shown and described.

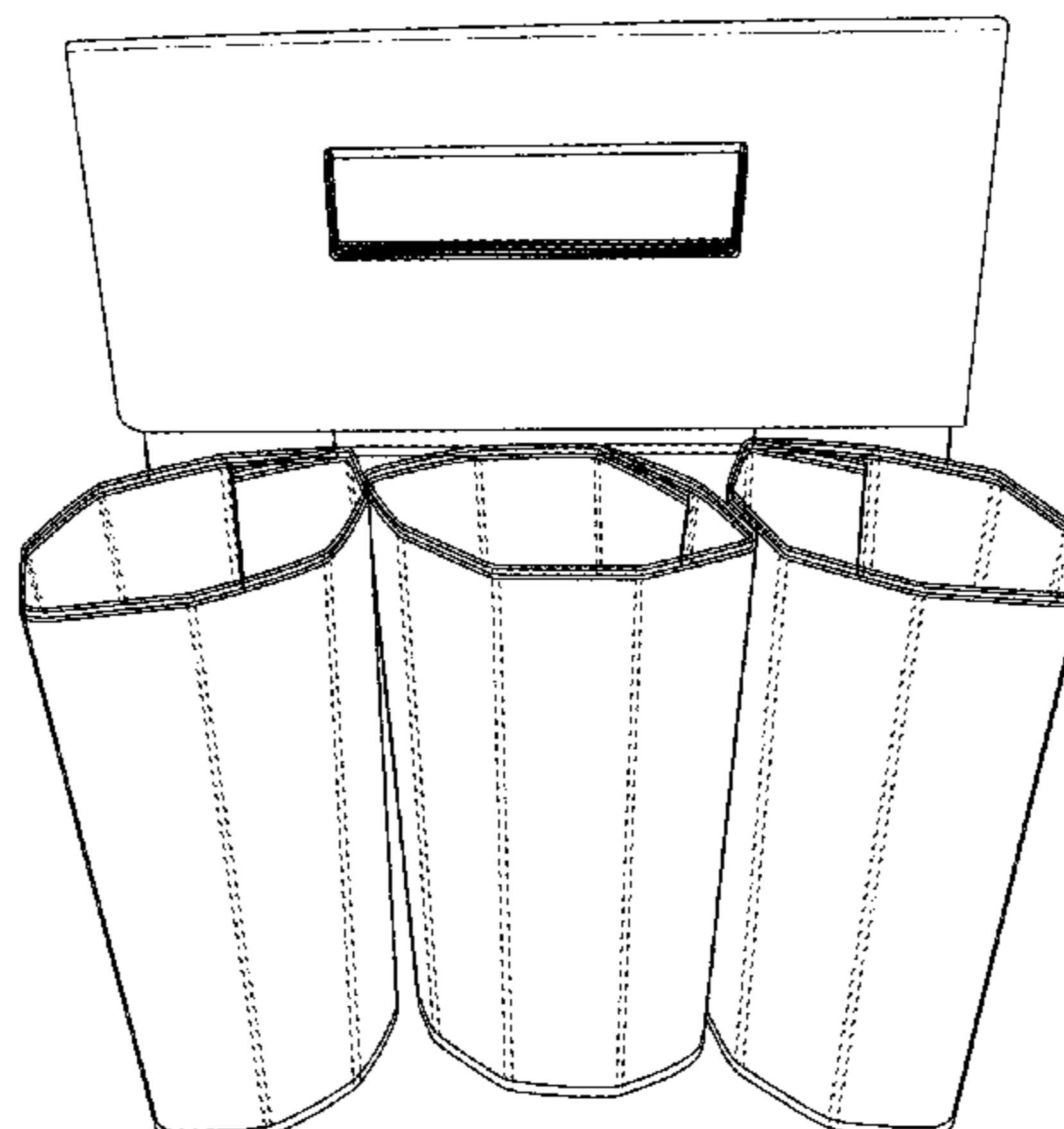
DESCRIPTION

FIG. 1 is a front perspective view of a beverage carrier having detachable sleeves incorporating our new design;
 FIG. 2 is a top perspective view of a beverage carrier having detachable sleeves incorporating our new design;
 FIG. 3 is a side perspective view of a beverage carrier having detachable sleeves incorporating our new design;
 FIG. 4 is a bottom view of a beverage carrier having detachable sleeves incorporating our new design;
 FIG. 5 shows the handle of a beverage carrier having detachable sleeves incorporating our new design once the sleeves have been detached;
 FIG. 6 shows a single detached sleeve from a beverage carrier having detachable sleeves incorporating our new design;
 FIG. 7 shows the handle of a beverage carrier having detachable sleeves incorporating our new design with the sleeves detached and stored on the handle;
 FIG. 8 shows a front perspective view of a beverage carrier having detachable sleeves incorporating our new design with beverages stored in the sleeves;
 FIG. 9 shows a front view of a hand holding a beverage with a detachable sleeve, said sleeve being detached from the beverage carrier having detachable sleeves; and,
 FIG. 10 shows a bottom perspective view of a beverage carrier having detachable sleeves incorporating our new design with beverages stored in the sleeves.

For convenience of illustration, the handle and the sleeves are shown separately in FIGS. 5, 6 and 9.

The broken line shown in the figures are included for the purpose of illustrating environment and form no part of the claimed design.

1 Claim, 8 Drawing Sheets



(56)

References Cited

U.S. PATENT DOCUMENTS

2,888,164 A	5/1959	Corwin					
2,998,899 A	9/1961	Telesca					
3,359,873 A	12/1967	Carle et al.					
3,367,557 A *	2/1968	Farquhar	206/140			
3,386,607 A	6/1968	Keene					
3,498,523 A	3/1970	Lambert					
3,596,796 A	8/1971	Stembridge					
3,751,098 A	8/1973	Owen					
3,759,373 A	9/1973	Werth et al.					
3,773,214 A *	11/1973	Lemon	206/194			
3,893,565 A *	7/1975	Rossi et al.	206/183			
4,940,137 A	7/1990	Straub					
					D320,158 S	9/1991	Contino
					5,941,377 A *	8/1999	Hart et al.
					6,026,983 A	2/2000	Graham
					D427,522 S	7/2000	Ponzio
					6,412,686 B1	7/2002	Mahl et al.
					7,815,047 B2	10/2010	Trimarco
					D660,701 S *	5/2012	Cox
					D668,545 S *	10/2012	Cox
					2006/0102497 A1	5/2006	Wulf
					2009/0090642 A1	4/2009	Trimarco
					2009/0090732 A1	4/2009	Trimarco
					2009/0205111 A1	8/2009	Beard
					2009/0294317 A1	12/2009	Villhard
					2014/0038804 A1	2/2014	Konkin
					2015/0183562 A1 *	7/2015	Barkerding et al.

* cited by examiner

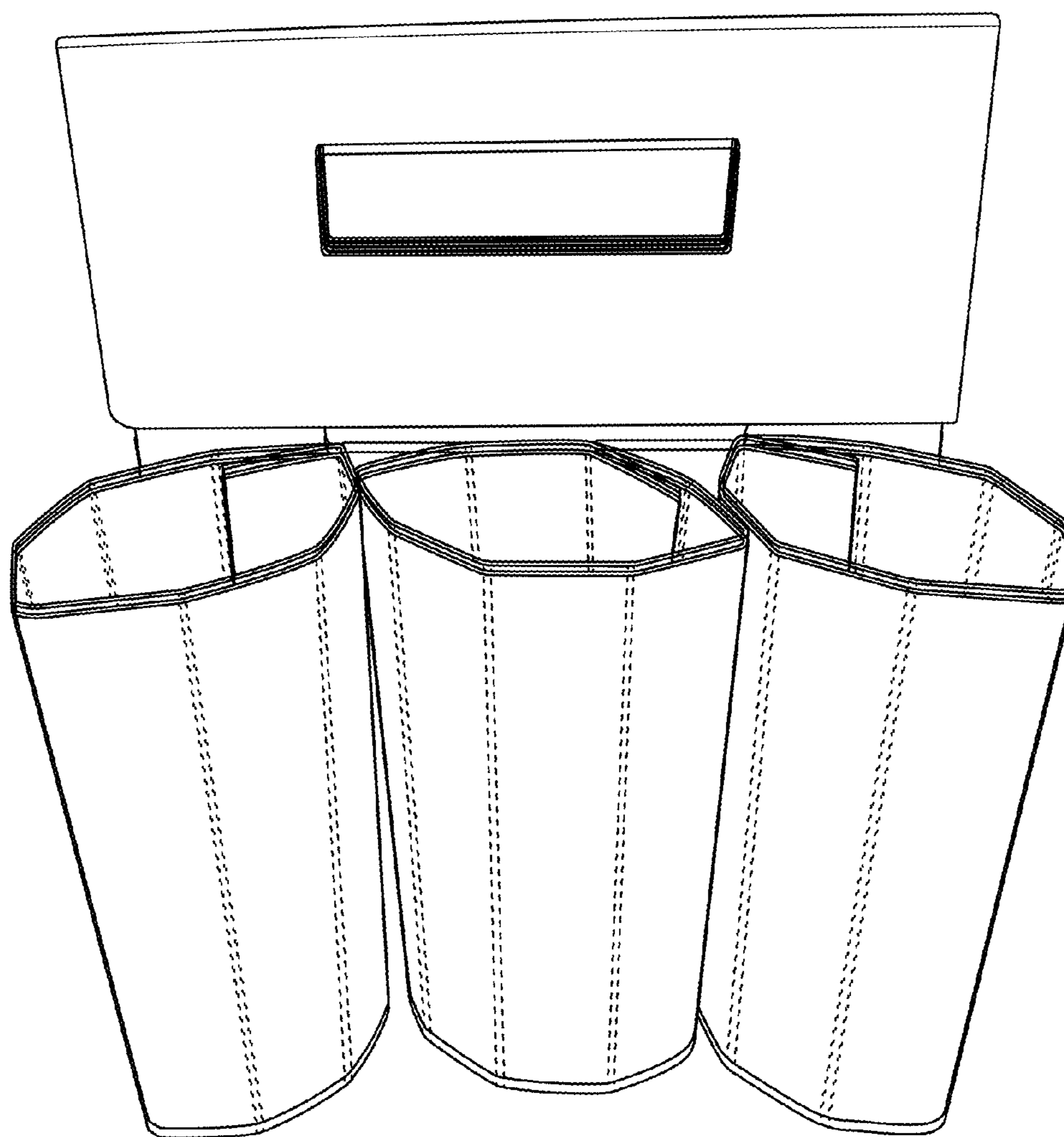


FIG. 1

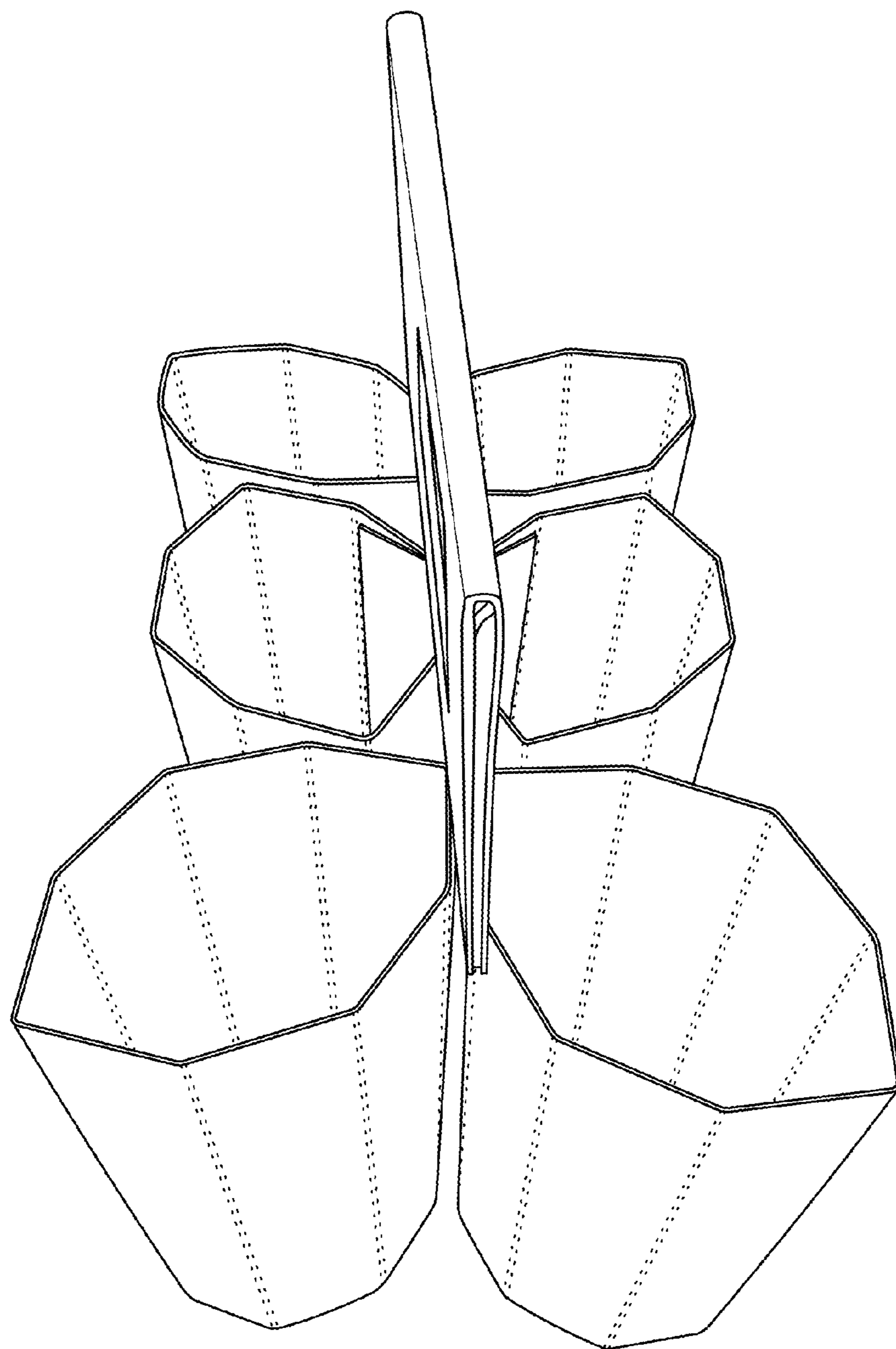


FIG. 2

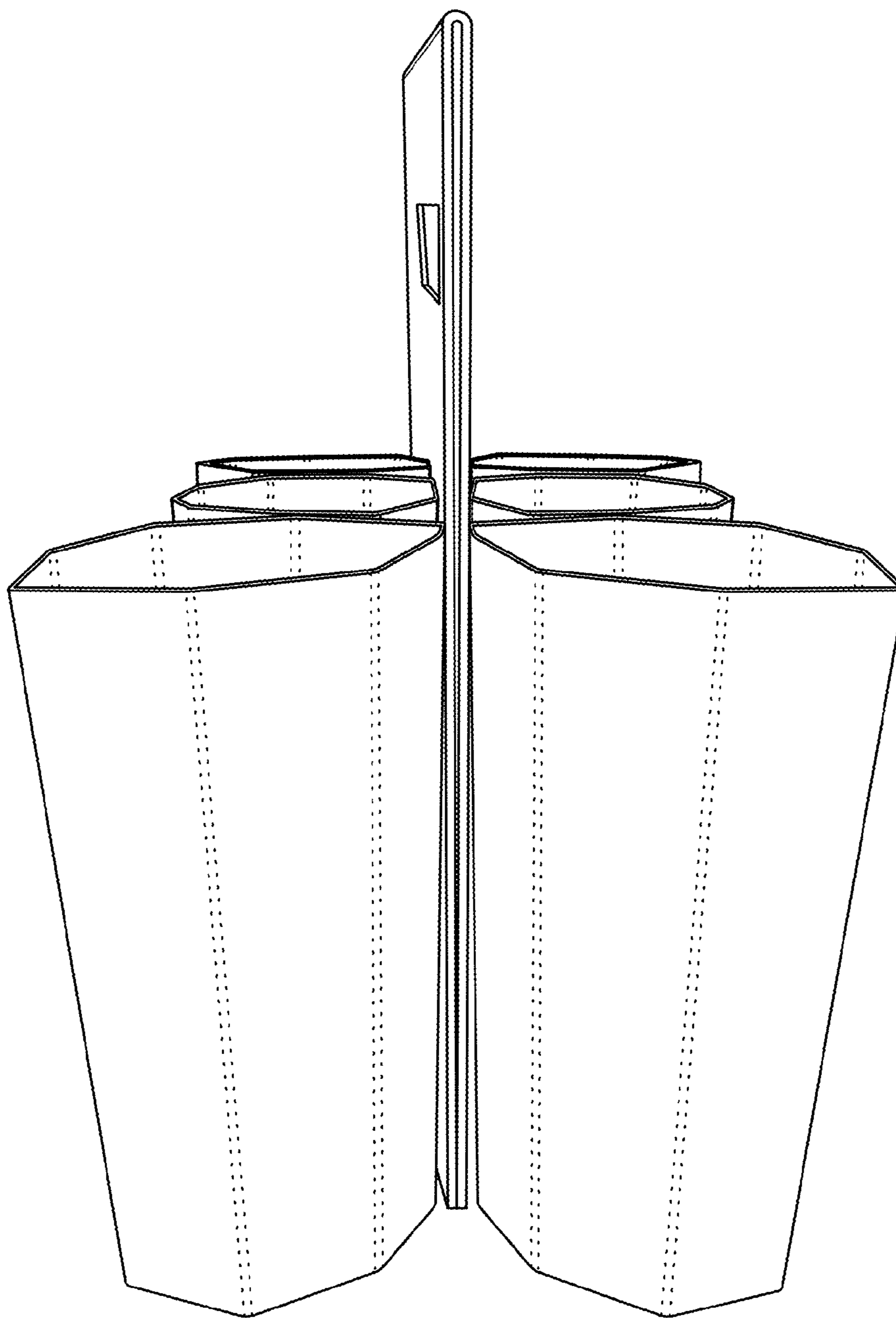


FIG. 3

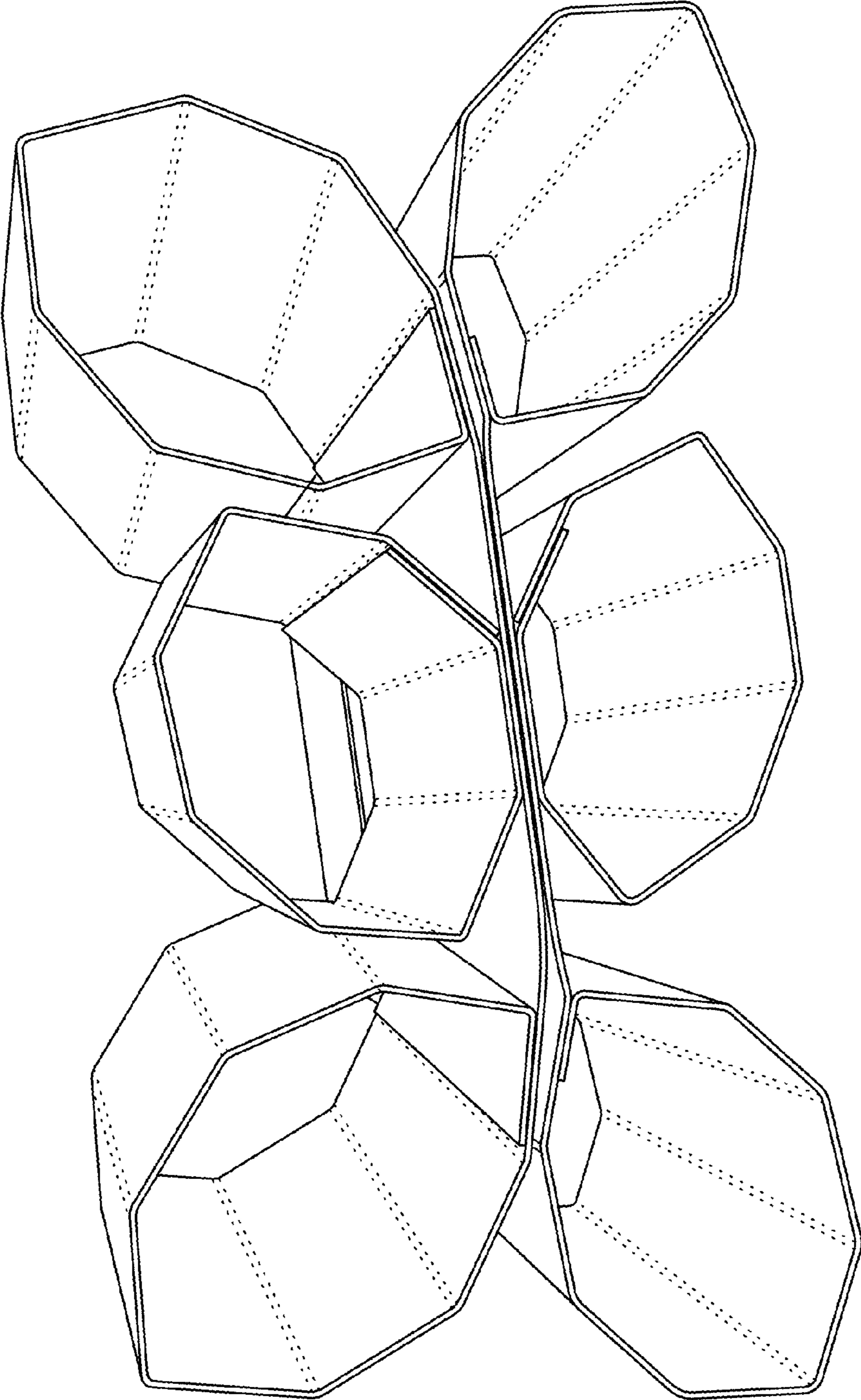


FIG. 4

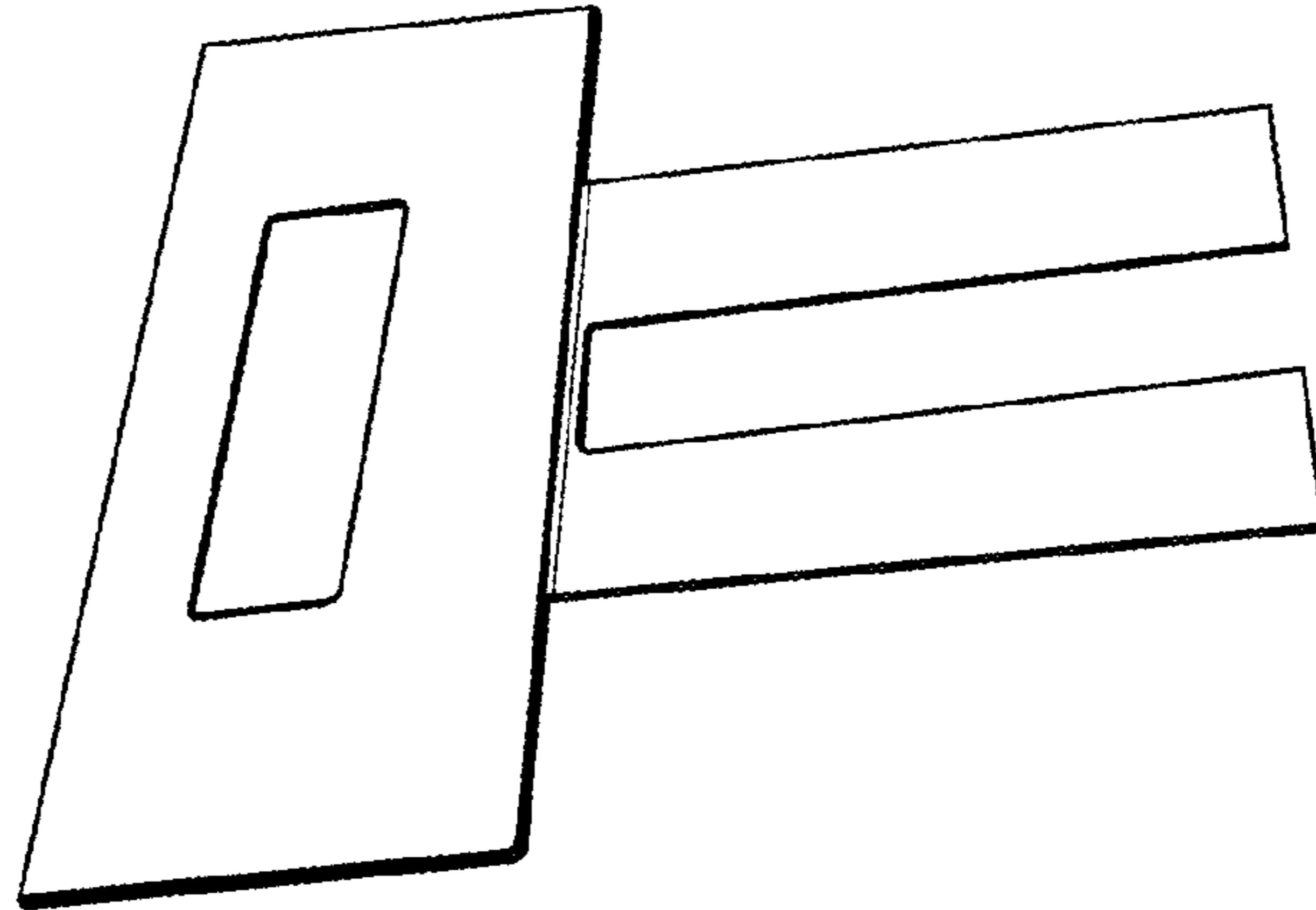


FIG. 5

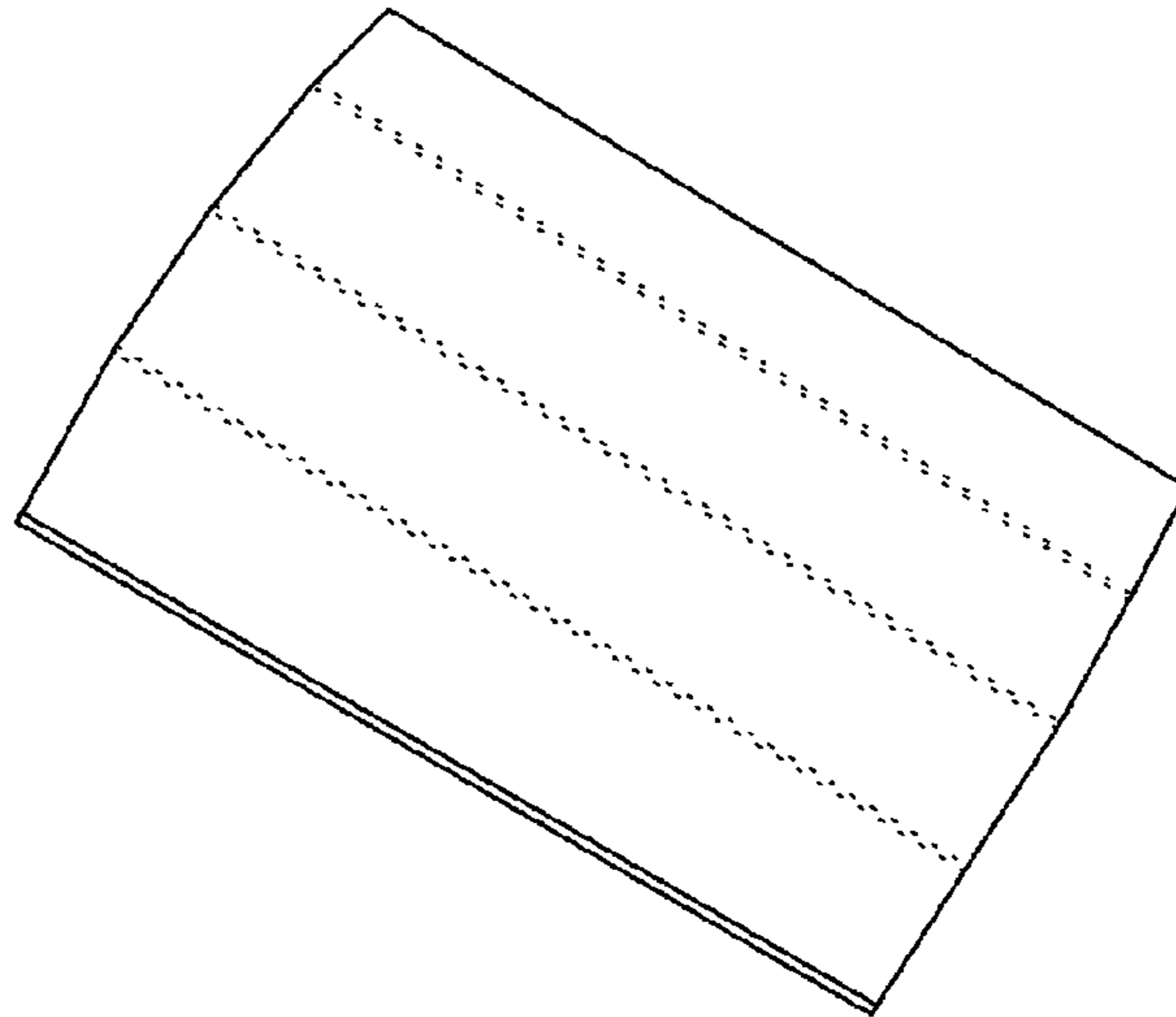


FIG. 6

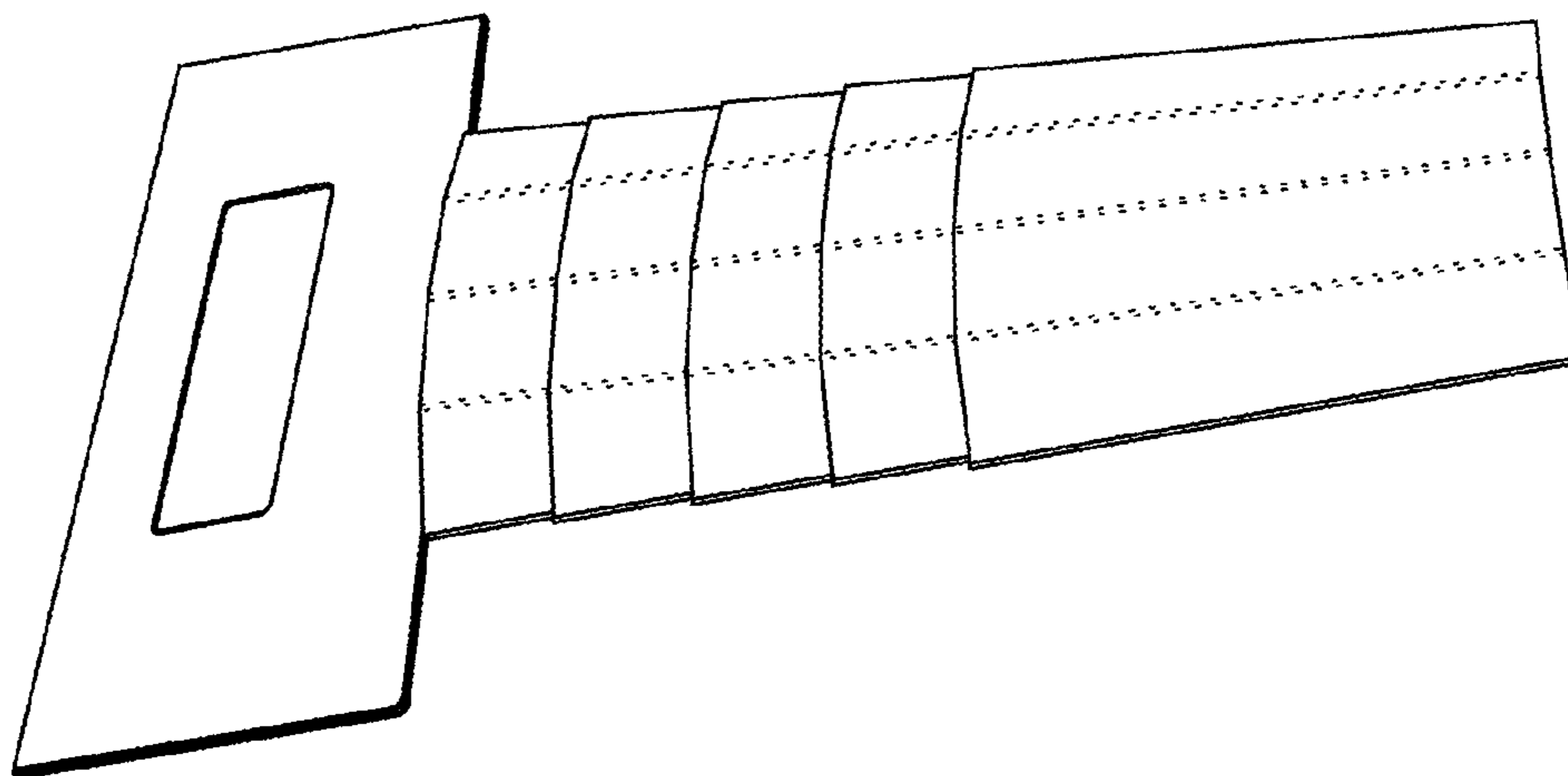


FIG. 7

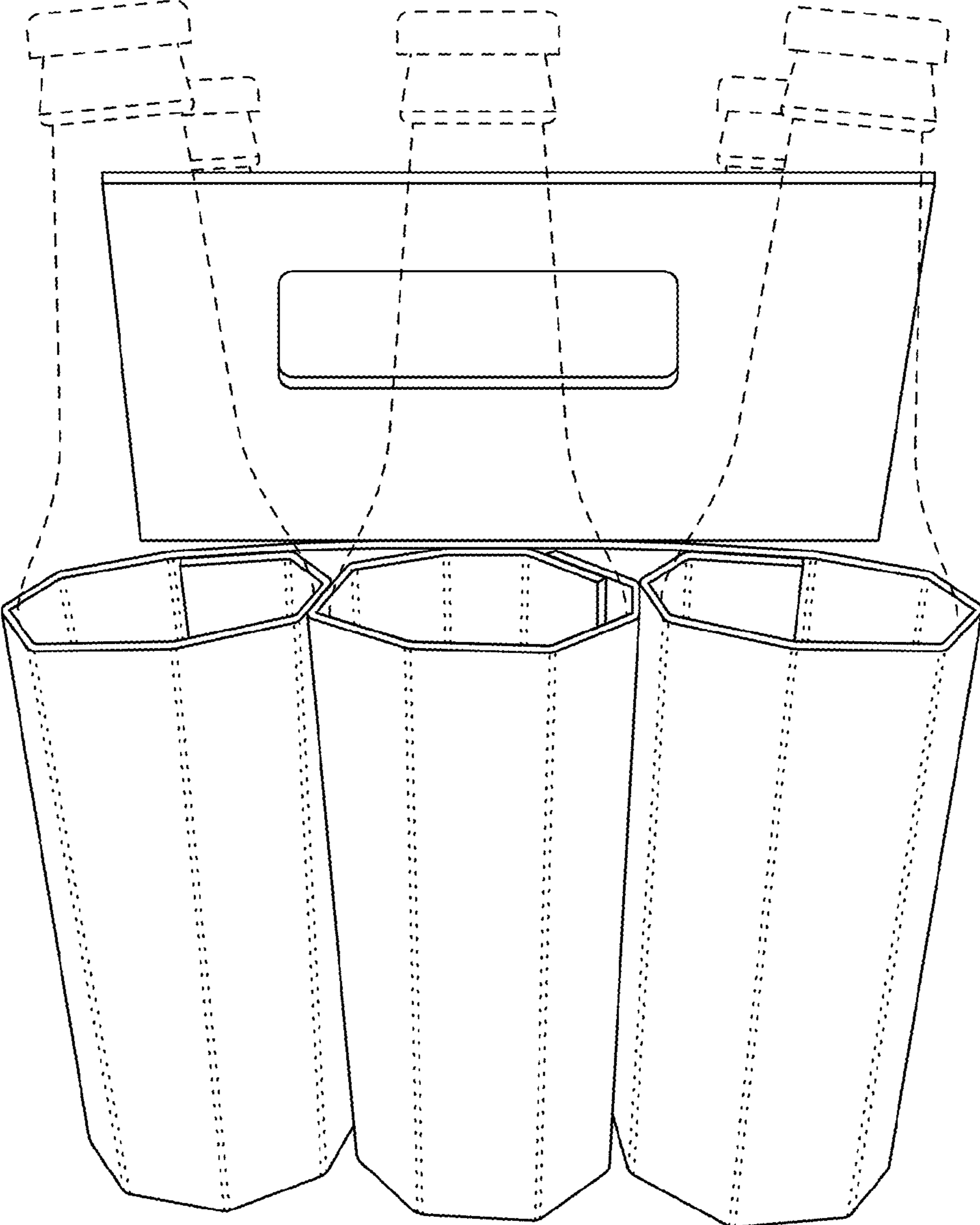


FIG. 8

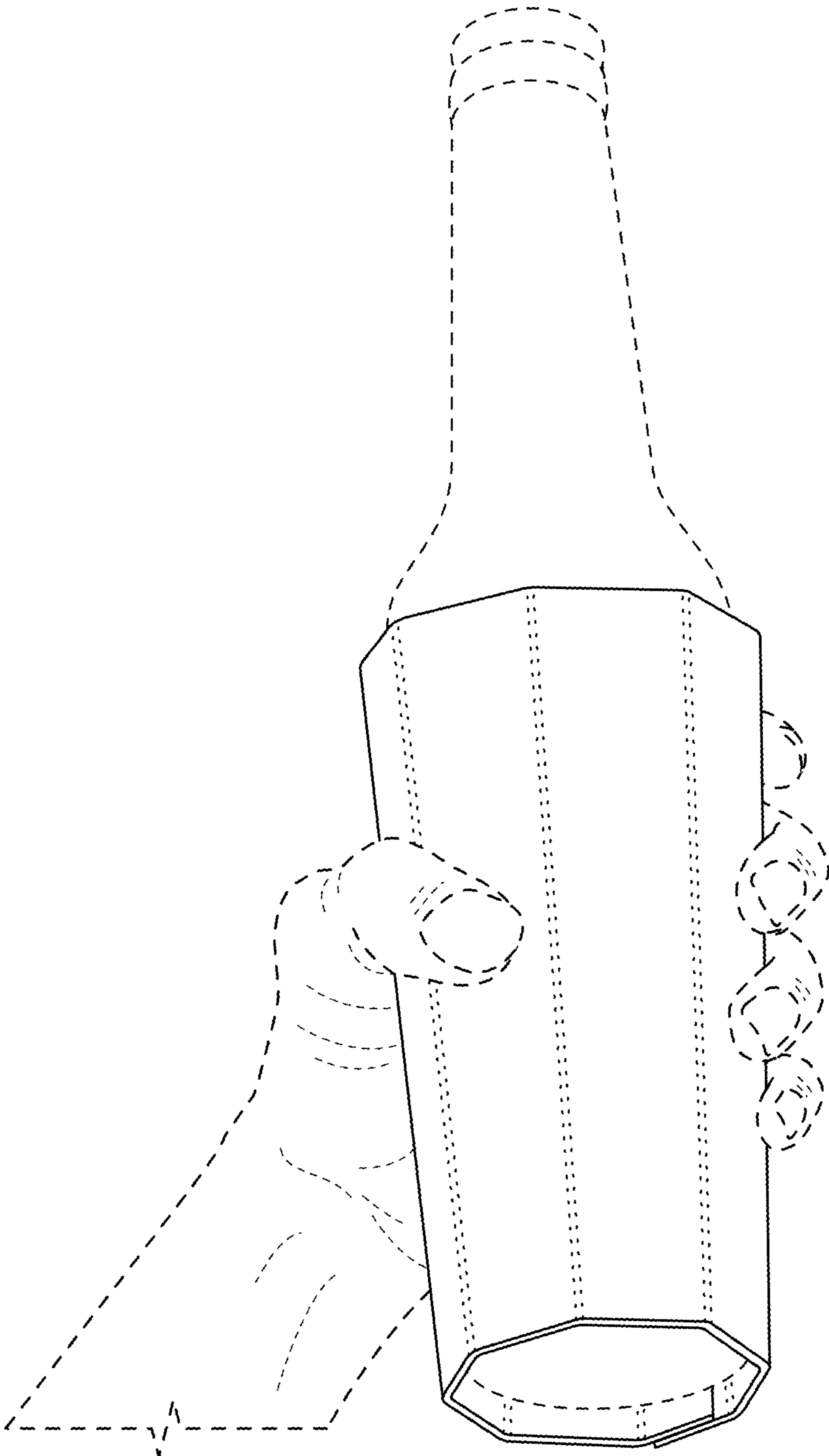


FIG. 9

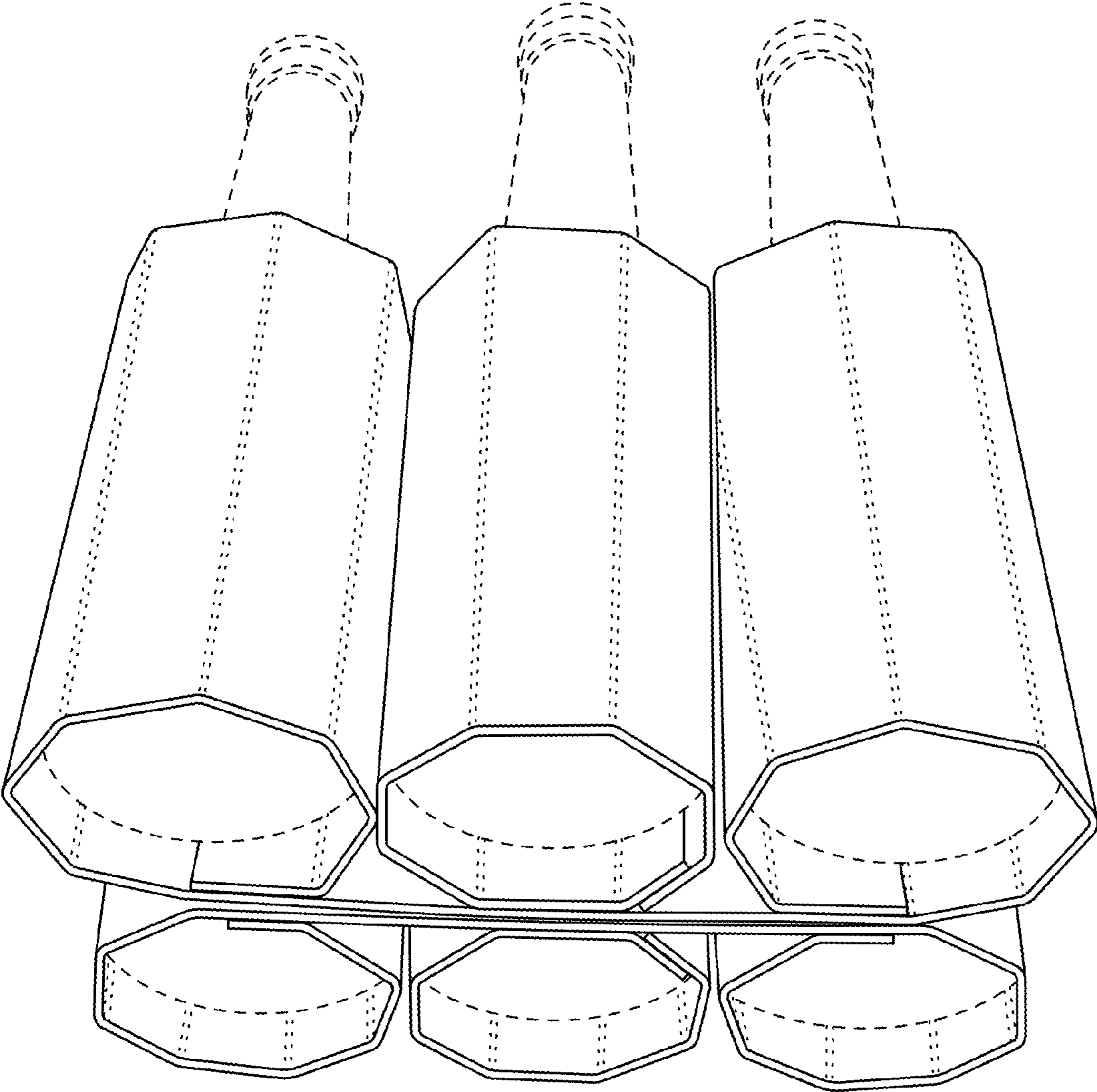


FIG. 10