



US00D748478S

(12) **United States Design Patent**
Sorensen et al.

(10) **Patent No.:** **US D748,478 S**
(45) **Date of Patent:** **** Feb. 2, 2016**

- (54) **CLOSURE FOR A CONTAINER**
- (71) Applicant: **Runway Blue, LLC**, Pleasant Grove, UT (US)
- (72) Inventors: **Steven M. Sorensen**, Alpine, UT (US);
David O. Meyers, Kaysville, UT (US)
- (73) Assignee: **RUNWAY BLUE, LLC**, Pleasant Grove, UT (US)
- (**) Term: **14 Years**
- (21) Appl. No.: **29/457,096**
- (22) Filed: **Jun. 6, 2013**
- (51) **LOC (10) Cl.** **09-07**
- (52) **U.S. Cl.**
USPC **D9/449; D9/443**
- (58) **Field of Classification Search**
USPC D9/719, 742, 753, 530, 531, 534, 537,
D9/549, 435, 436, 440, 443, 445, 447, 449,
D9/454, 455, 499; D7/300.1, 302, 602,
D7/605, 608, 622, 396.2; 206/142, 143,
206/154, 156; 215/45, 206, 224, 240, 258,
215/305, 387, 390, 396, 398.1; 220/710.5,
220/711, 757, 762, 764; 222/601, 602, 111,
222/519
See application file for complete search history.

- 2,573,378 A 10/1951 Zurlinden
- 2,574,876 A 11/1951 Lebus
- 2,575,299 A 11/1951 Scheel
- 2,638,253 A 5/1953 Mueller
- (Continued)

FOREIGN PATENT DOCUMENTS

- CN 201139196 10/2008
- JP 2006103793 A 4/2004
- JP 2008247404 10/2008

OTHER PUBLICATIONS

U.S. Appl. No. 12/762,292, filed Apr. 16, 2010, Meyers, et al.
(Continued)

Primary Examiner — Robert M Spear
Assistant Examiner — Darcey E Heflin
(74) *Attorney, Agent, or Firm* — Maschoff Brennan

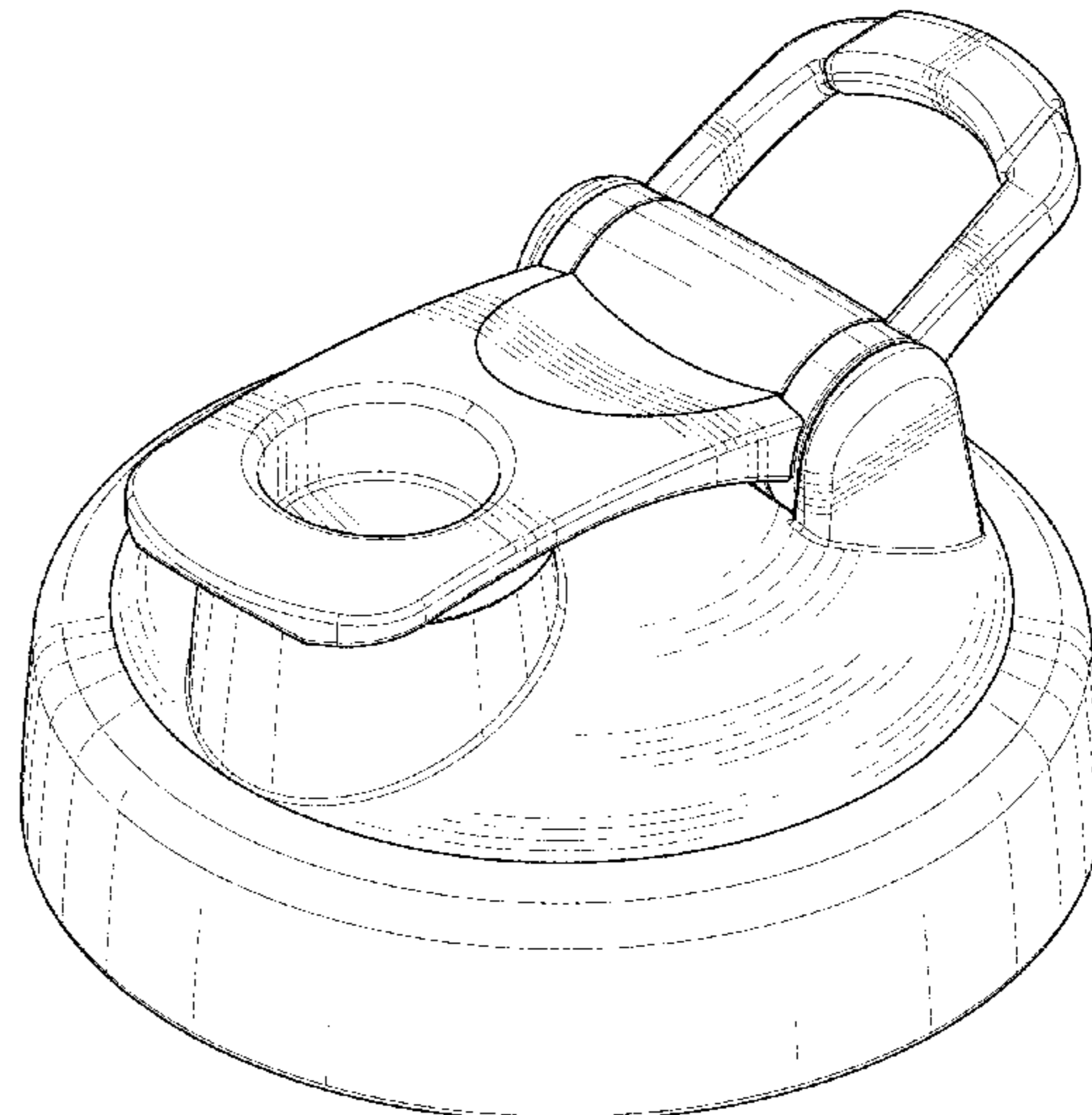
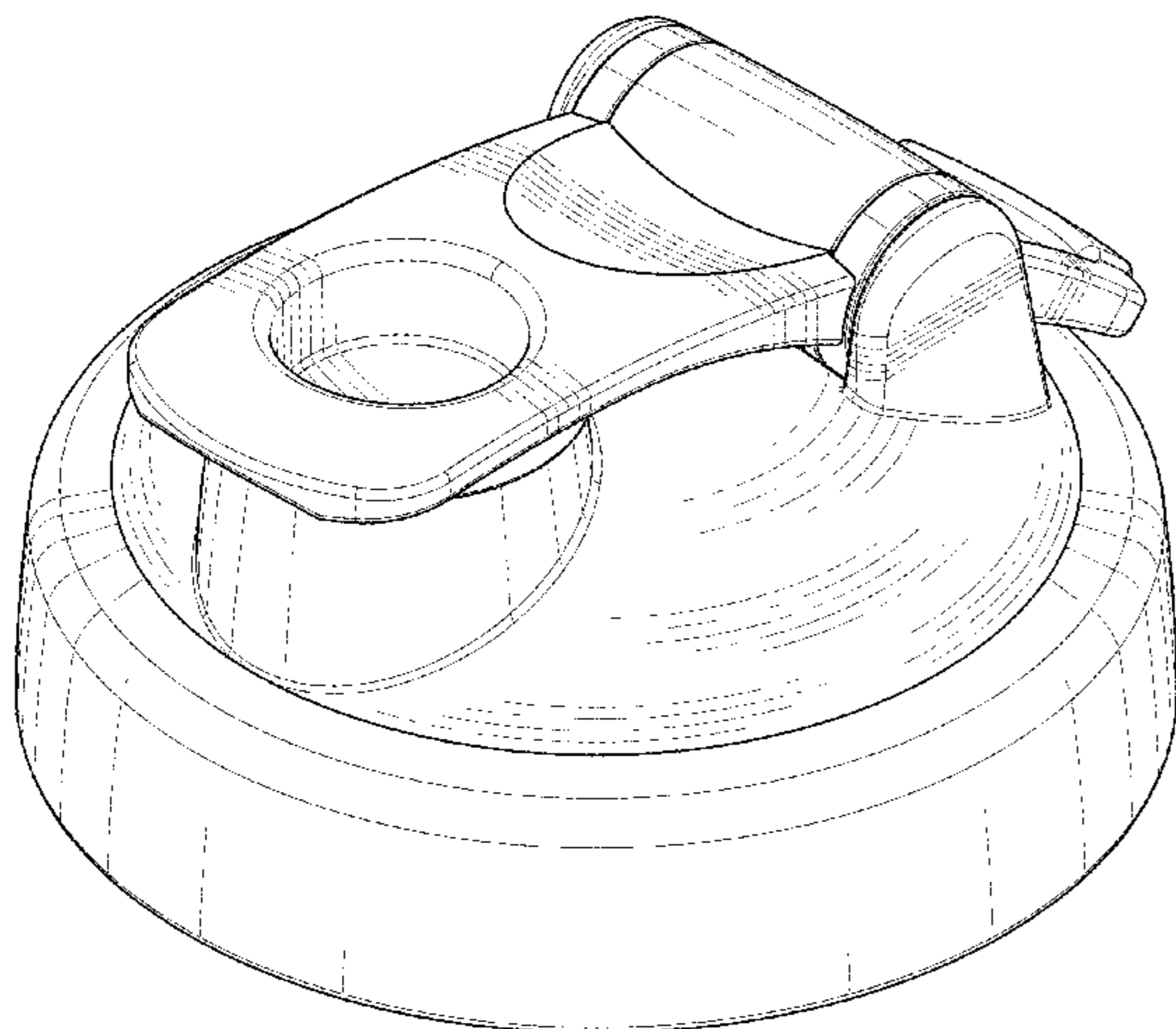
(57) **CLAIM**
The ornamental design for a closure for a container, as shown and described.

DESCRIPTION

FIG. 1 is an upper perspective view of a closure for a container, illustrating a carrying member in a first position; FIG. 2 is a front view of the closure for a container; FIG. 3 is a rear view of the closure for a container; FIG. 4 is a right side view of the closure for a container; FIG. 5 is a left side view of the closure for a container; FIG. 6 is a top view of the closure for a container; FIG. 7 is a bottom view of the closure for a container; and, FIG. 8 is an upper perspective view of the closure for a container illustrating the carrying member in a second position. The broken lines in the drawings represent unclaimed environmental subject matter and form no part of the claim.

1 Claim, 6 Drawing Sheets

- (56) **References Cited**
U.S. PATENT DOCUMENTS
- 1,037,051 A 8/1912 Ramsey
- 1,094,469 A 4/1914 Pick
- 1,389,732 A 9/1921 Baron
- 1,479,053 A 1/1924 Brooks
- 1,573,620 A 2/1926 Allston
- 2,056,879 A 10/1936 Winterhalter et al.
- 2,272,867 A 2/1942 Cobel
- 2,514,573 A 7/1950 Harrison



(56)

References Cited

U.S. PATENT DOCUMENTS

2,748,997 A 6/1956 Richmond, Sr.
 2,752,971 A 7/1956 Tupper
 2,754,866 A 7/1956 Coltman
 3,022,925 A 2/1962 Daniell
 3,091,361 A 5/1963 Gawron
 3,143,205 A 8/1964 Ruderian
 3,144,016 A 8/1964 Basci
 3,168,226 A 2/1965 Underwood
 3,369,691 A 2/1968 Wei
 3,552,548 A 1/1971 Wallestad et al.
 3,770,160 A 11/1973 Flider
 3,820,692 A 6/1974 Swett et al.
 D232,238 S 7/1974 La Borde
 D233,116 S 10/1974 Swett et al.
 4,022,352 A 5/1977 Pehr
 4,136,799 A 1/1979 Albert
 4,158,902 A 6/1979 Chernack et al.
 D261,088 S 10/1981 Akimov et al.
 4,399,926 A 8/1983 Eidels-Dubovoy
 4,457,458 A 7/1984 Heinol
 4,474,303 A 10/1984 Maccise
 4,519,518 A 5/1985 Wiles et al.
 4,537,044 A 8/1985 Putnam
 4,735,333 A 4/1988 Lay et al.
 D295,831 S * 5/1988 Urion D9/438
 4,776,501 A 10/1988 Ostrowsky
 4,805,790 A 2/1989 Leonetti et al.
 4,932,225 A 6/1990 Bighouse
 5,065,877 A 11/1991 Karppinen et al.
 5,065,911 A 11/1991 Rohr et al.
 5,088,614 A 2/1992 Dumestre
 D330,862 S 11/1992 Shibley et al.
 D331,793 S 12/1992 Erwes
 5,228,584 A 7/1993 Williams, Jr.
 D342,898 S 1/1994 Baschmackoff
 5,289,930 A 3/1994 Inouye
 D350,460 S 9/1994 Picozza et al.
 D355,121 S * 2/1995 Kohl D9/447
 5,386,922 A 2/1995 Jordan
 D356,499 S 3/1995 Cautereels et al.
 5,547,111 A 8/1996 Geiger et al.
 5,609,277 A 3/1997 McDonald
 D382,968 S 8/1997 Giles et al.
 D404,305 S 1/1999 De Baschmakoff
 D405,654 S 2/1999 Moran
 D421,547 S 3/2000 Demers
 6,161,713 A 12/2000 Krich
 6,283,333 B1 9/2001 Knickerbocker et al.
 6,299,005 B1 10/2001 Higgins
 6,379,032 B1 4/2002 Sorensen
 D458,081 S 6/2002 Bodum
 D461,420 S 8/2002 Kerman
 D497,431 S 10/2004 Bentley
 6,832,412 B2 12/2004 Kim
 6,860,397 B1 3/2005 Walters, Jr.
 D504,273 S 4/2005 Ancona
 D508,185 S 8/2005 Gauss
 D510,235 S 10/2005 Sorensen
 D518,336 S 4/2006 Hirani
 7,073,678 B1 7/2006 Dibdin et al.
 D526,827 S 8/2006 Allen et al.
 D528,862 S 9/2006 Li
 D529,339 S 10/2006 Carreno et al.
 D532,650 S 11/2006 de Groote
 D543,454 S 5/2007 Leoncavallo et al.
 D546,131 S 7/2007 Morales
 D547,607 S 7/2007 Forsman
 D552,929 S * 10/2007 de Groote D7/510
 D565,353 S 4/2008 Roth et al.
 D574,190 S 8/2008 Homma
 D580,227 S 11/2008 Roth et al.
 D584,566 S * 1/2009 Fuller D7/396.2
 D586,184 S 2/2009 Miller et al.
 D587,069 S 2/2009 Bodum
 D589,751 S 4/2009 Liu et al.

D592,913 S 5/2009 Pinelli et al.
 7,533,783 B2 5/2009 Choi et al.
 D593,811 S 6/2009 Carreno
 D599,664 S 9/2009 Fujinami et al.
 D600,973 S * 9/2009 Lane D7/396.2
 D604,103 S 11/2009 Alviar et al.
 D609,970 S 2/2010 Richau et al.
 D613,110 S 4/2010 Lane et al.
 D622,089 S 8/2010 Daniel et al.
 D622,554 S 8/2010 Carreno
 D624,357 S * 9/2010 George D7/396.2
 7,806,284 B2 10/2010 Mangano
 D626,837 S 11/2010 Meyers et al.
 D626,838 S 11/2010 Meyers et al.
 D628,483 S 12/2010 McKinney et al.
 D629,657 S 12/2010 Carreno
 7,870,980 B2 1/2011 Wilson et al.
 D640,555 S * 6/2011 Williams et al. D9/449
 D641,594 S 7/2011 Huang
 D644,065 S 8/2011 Llerena
 8,020,257 B2 9/2011 Merten et al.
 D646,546 S 10/2011 Robinson et al.
 D646,919 S 10/2011 Nilsson
 D647,760 S 11/2011 Pearson
 D652,256 S 1/2012 Eyal
 D655,131 S * 3/2012 Nilsson D7/392.1
 D655,967 S 3/2012 Bodum
 D656,357 S 3/2012 Enghard
 D661,551 S 6/2012 Gilbert
 D666,047 S 8/2012 Lin
 D666,061 S 8/2012 Ying
 D667,694 S 9/2012 Meyers et al.
 8,302,796 B1 11/2012 Johnson
 8,342,349 B2 1/2013 Lu
 D676,320 S * 2/2013 Richards et al. D9/449
 D677,121 S 3/2013 Meyers et al.
 D683,575 S * 6/2013 Devlin D7/300.1
 D686,885 S 7/2013 Meyers et al.
 D686,886 S 7/2013 Meyers et al.
 D686,887 S 7/2013 Meyers et al.
 D686,888 S 7/2013 Meyers et al.
 D687,661 S * 8/2013 Cetera et al. D7/300.1
 D691,849 S * 10/2013 Cetera et al. D7/392.1
 D692,276 S * 10/2013 Cetera et al. D7/510
 D696,551 S * 12/2013 Meyers et al. D7/392.1
 D699,996 S * 2/2014 De Leo D7/300.1
 D702,489 S * 4/2014 Steel et al. D7/392.1
 D702,503 S * 4/2014 Steel et al. D7/510
 2002/0074334 A1 6/2002 Karp
 2003/0085228 A1 5/2003 Oakes
 2004/0217139 A1 11/2004 Roth et al.
 2004/0262306 A1 12/2004 Smith
 2005/0045634 A1 3/2005 Ward et al.
 2005/0045636 A1 3/2005 Lown et al.
 2007/0012693 A1 1/2007 Kummer
 2007/0175931 A1 8/2007 Leoncavallo et al.
 2008/0099514 A1 5/2008 Carter et al.
 2009/0178940 A1 7/2009 Said
 2009/0188884 A1 7/2009 Nelson et al.
 2009/0188933 A1 7/2009 Daams
 2009/0301990 A1 12/2009 Cresswell et al.
 2010/0200438 A1 8/2010 Davies
 2010/0206835 A1 8/2010 Yu
 2010/0224631 A1 9/2010 Roth et al.
 2010/0282703 A1 11/2010 Yang
 2011/0017760 A1 1/2011 Newman
 2011/0253733 A1 10/2011 Meyers et al.

OTHER PUBLICATIONS

U.S. Appl. No. 13/232,891, filed Sep. 14, 2011, Meyers, et al.
 U.S. Appl. No. 13/232,935, filed Sep. 14, 2011, Meyers, et al.
 U.S. Appl. No. 29/430,882, filed Aug. 30, 2012, Meyers, et al.
 U.S. Appl. No. 29/431,544, filed Sep. 7, 2012, Meyers, et al.
 U.S. Appl. No. 13/609,238, filed Sep. 10, 2012, Meyers, et al.
 U.S. Appl. No. 13/610,445, filed Sep. 11, 2012, Meyers, et al.
 U.S. Appl. No. 13/633,864, filed Oct. 2, 2012, Meyers, et al.
 U.S. Appl. No. 29/457,097, filed Jun. 6, 2013, Sorensen, et al.
 U.S. Appl. No. 61/832,085, filed Jun. 6, 2013, Sorensen, et al.

(56)

References Cited

OTHER PUBLICATIONS

Kor One, <http://www.korwater.com/buyONE>, accessed Apr. 21, 2010.

Core 77, <http://www.core77.com/blog/materials/kor.sub.--one.sub.--water.sub.--vessel.sub.--actual.sub.--size.sub.--10211.asp>, accessed Apr. 21, 2010.

Koyono, <http://www.koyono.com/KOR-ONE-Green-Zen-Water-Hydration-Vessel.sub-.-p/kor-one.htm>, accessed Apr. 21, 2010.

Fit Sugar, www.fitsugar.com/2496788, accessed Apr. 21, 2010.

Thermos, <http://www.shopthermos.com/detail/TMS+HP4000GR6>, accessed Apr. 21, 2010.

Goodlifter, <http://www.goodlifter.com/2009/02/360-paper-water-bottle/>, accessed Apr. 21, 2010.

Notice of Allowance from U.S. Appl. No. 29/430,882 dated Aug. 5, 2013.

Advisory Action from U.S. Appl. No. 12/762,292 dated May 24, 2013.

Office Action from U.S. Appl. No. 12/762,292 dated Jul. 1, 2013.

Office Action from U.S. Appl. No. 12/762,292 dated Oct. 2, 2012.

Office Action from U.S. Appl. No. 12/762,292 dated Jul. 17, 2012.

Office Action from U.S. Appl. No. 12/762,292 dated Feb. 10, 2012.
Notice of Allowance from U.S. Appl. No. 29/431,544 dated Aug. 14, 2013.

Office Action from U.S. Appl. No. 29/431,544 dated Mar. 25, 2013.

Office Action from U.S. Appl. No. 13/610,445 dated Mar. 29, 2013.

Office Action from U.S. Appl. No. 13/633,864 dated Mar. 29, 2013.

Office Action from U.S. Appl. No. 13/232,891 dated Jul. 19, 2013.

Office Action from U.S. Appl. No. 13/609,238 dated May 30, 2013.

International Search Report from PCT Application No. PCT/US2011/026508 dated Sep. 29, 2011.

Written Opinion from PCT Application No. PCT/US2011/026508 dated Sep. 29, 2011.

International Preliminary Report on Patentability from PCT Application No. PCT/US2011/026508 dated Oct. 16, 2012.

International Search Report from PCT Application No. PCT/US2012/054483 dated Nov. 16, 2012.

International Search Report and Written Opinion from PCT Application No. PCT/US2012/054497 dated Nov. 20, 2012.

International Search Report and Written Opinion from PCT Application No. PCT/US2013/052132 dated Aug. 16, 2013.

* cited by examiner

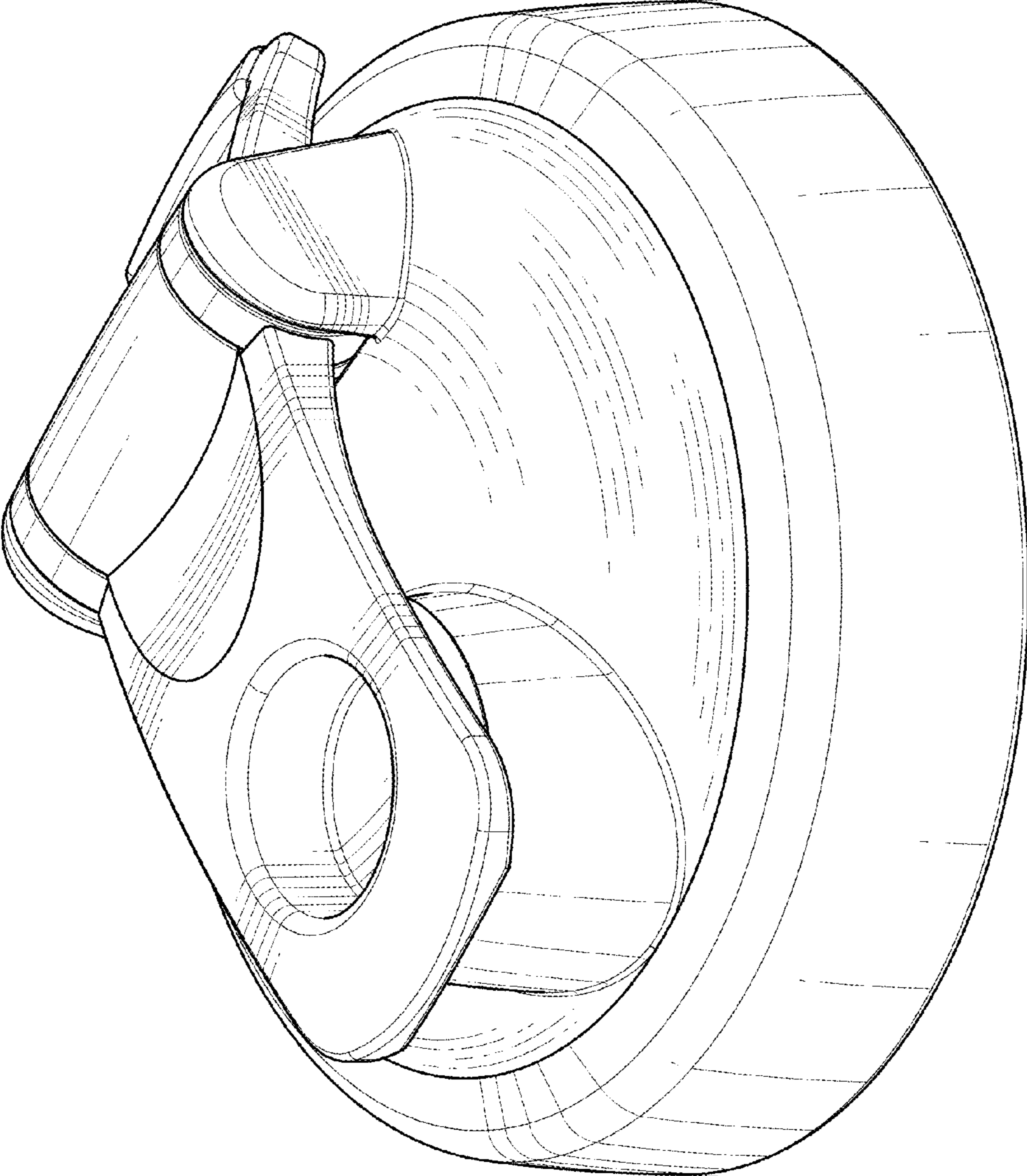


Fig. 1

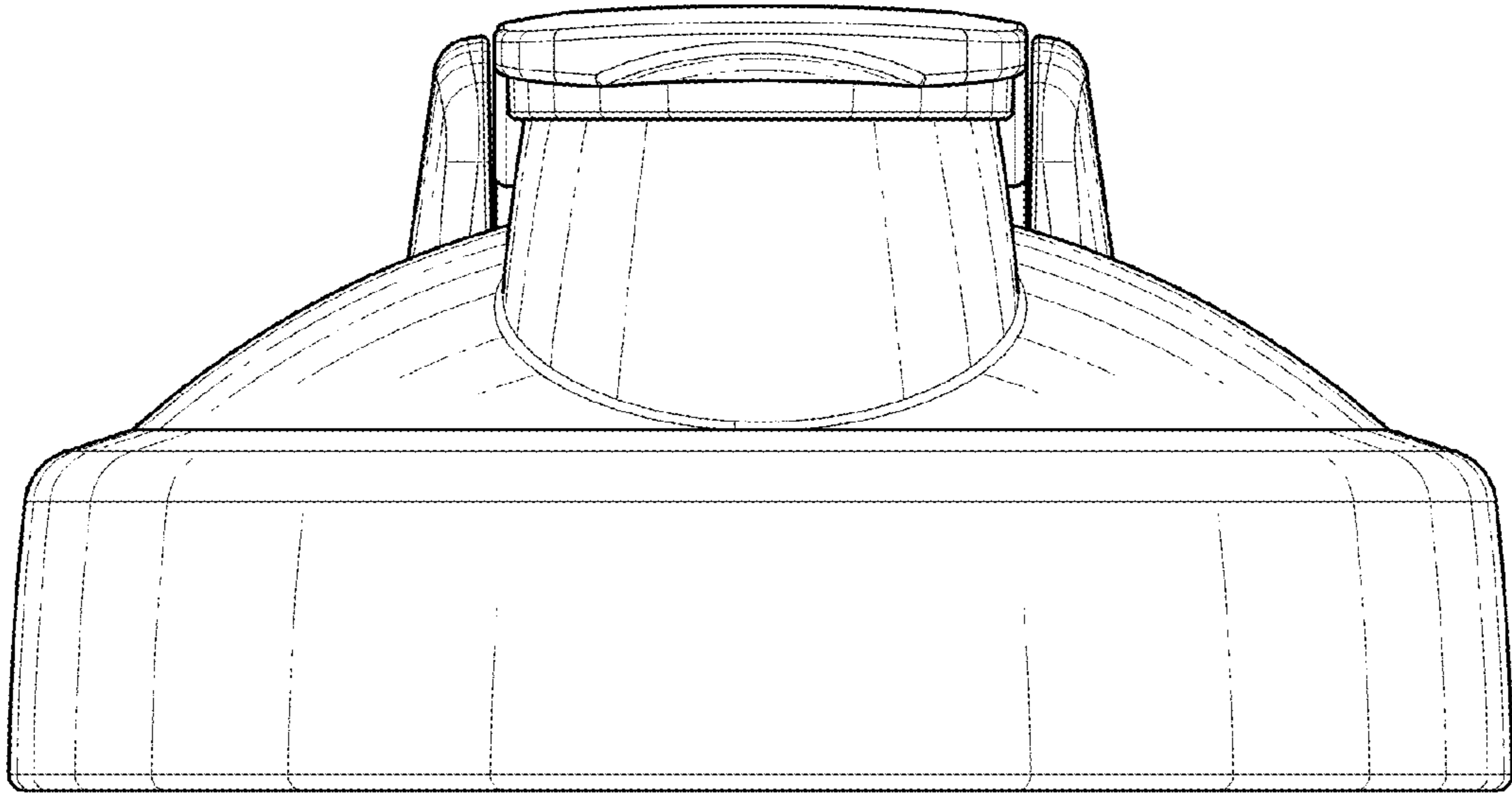


Fig. 2

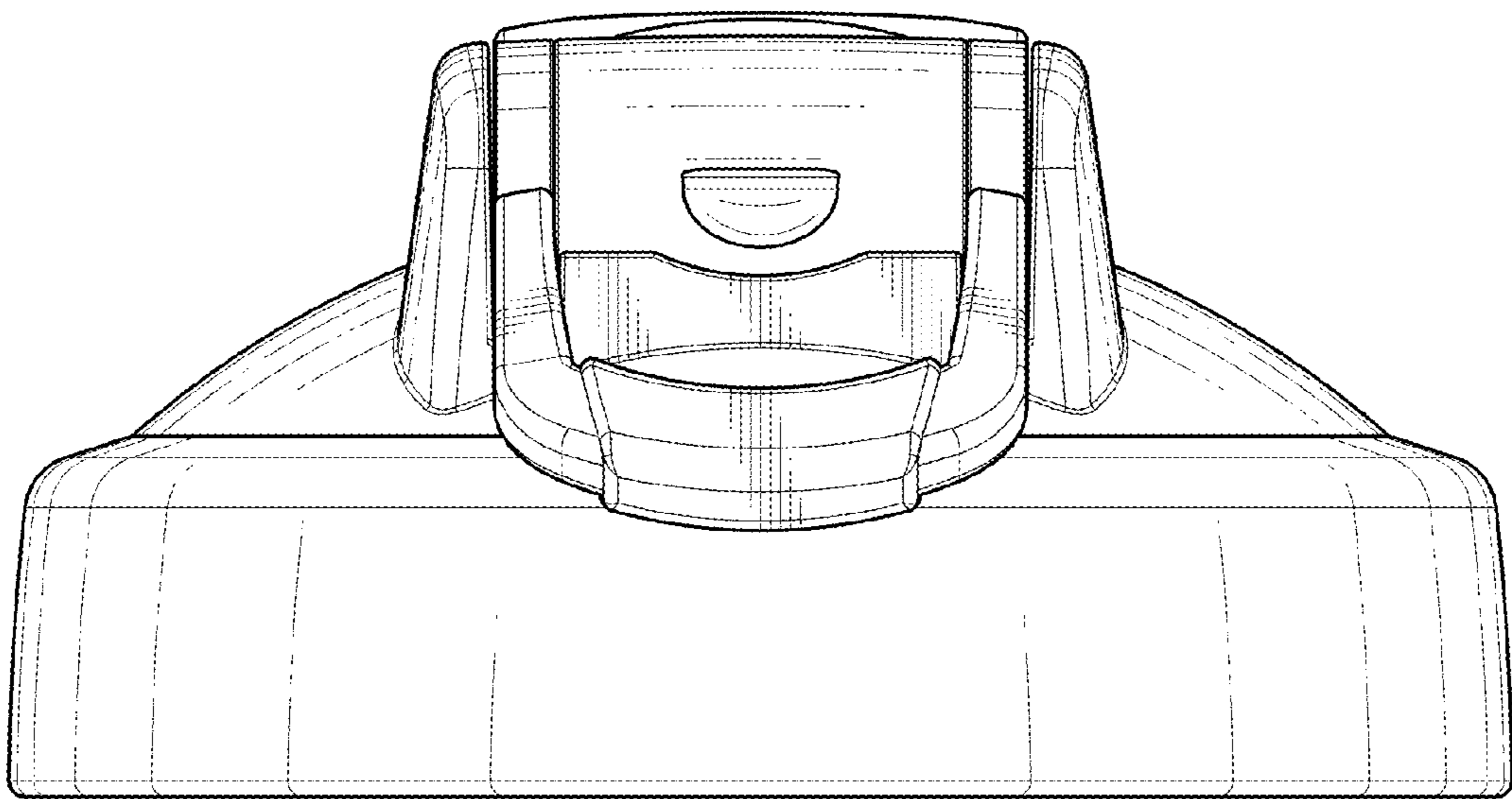


Fig. 3

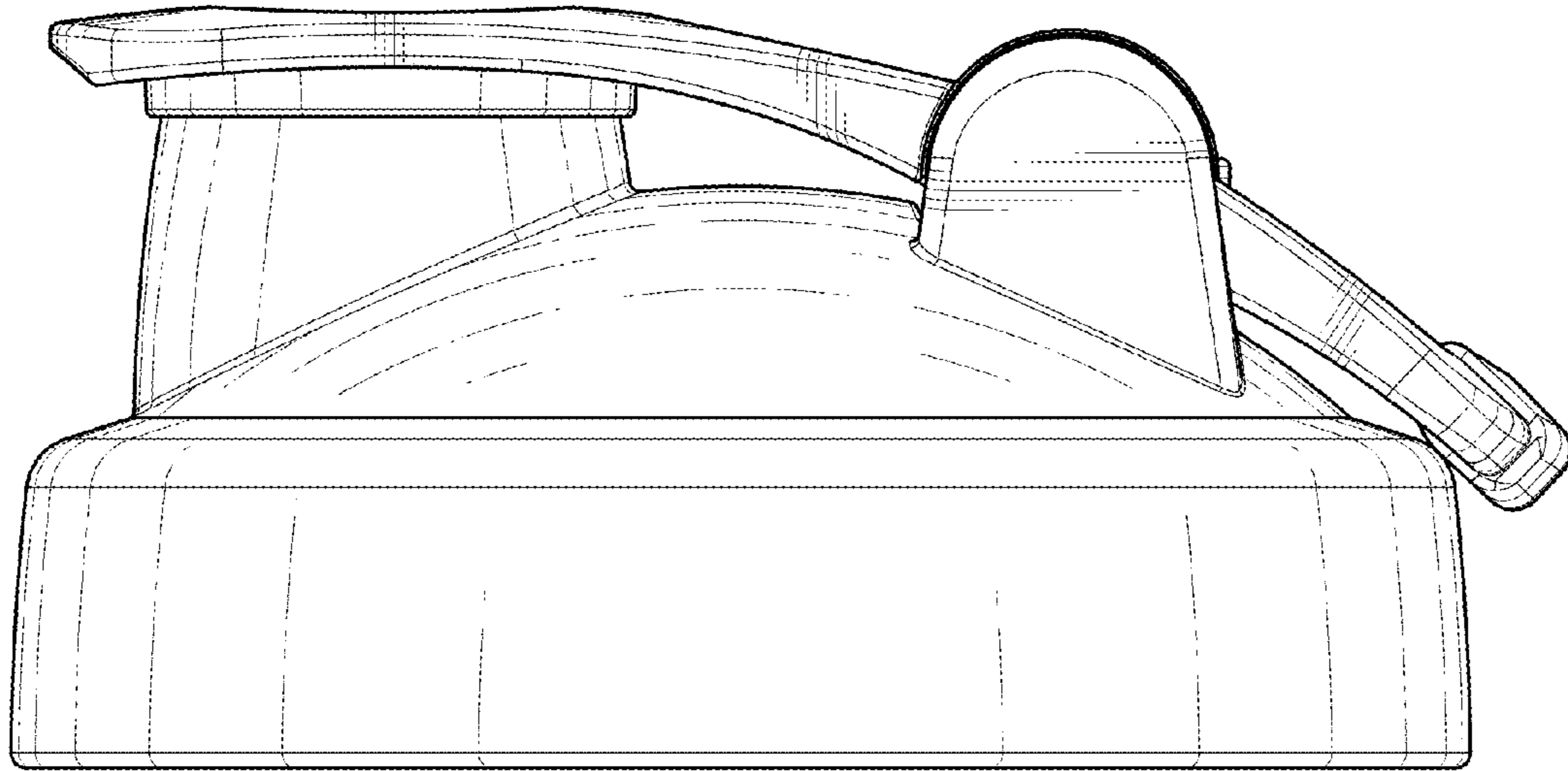


Fig. 4

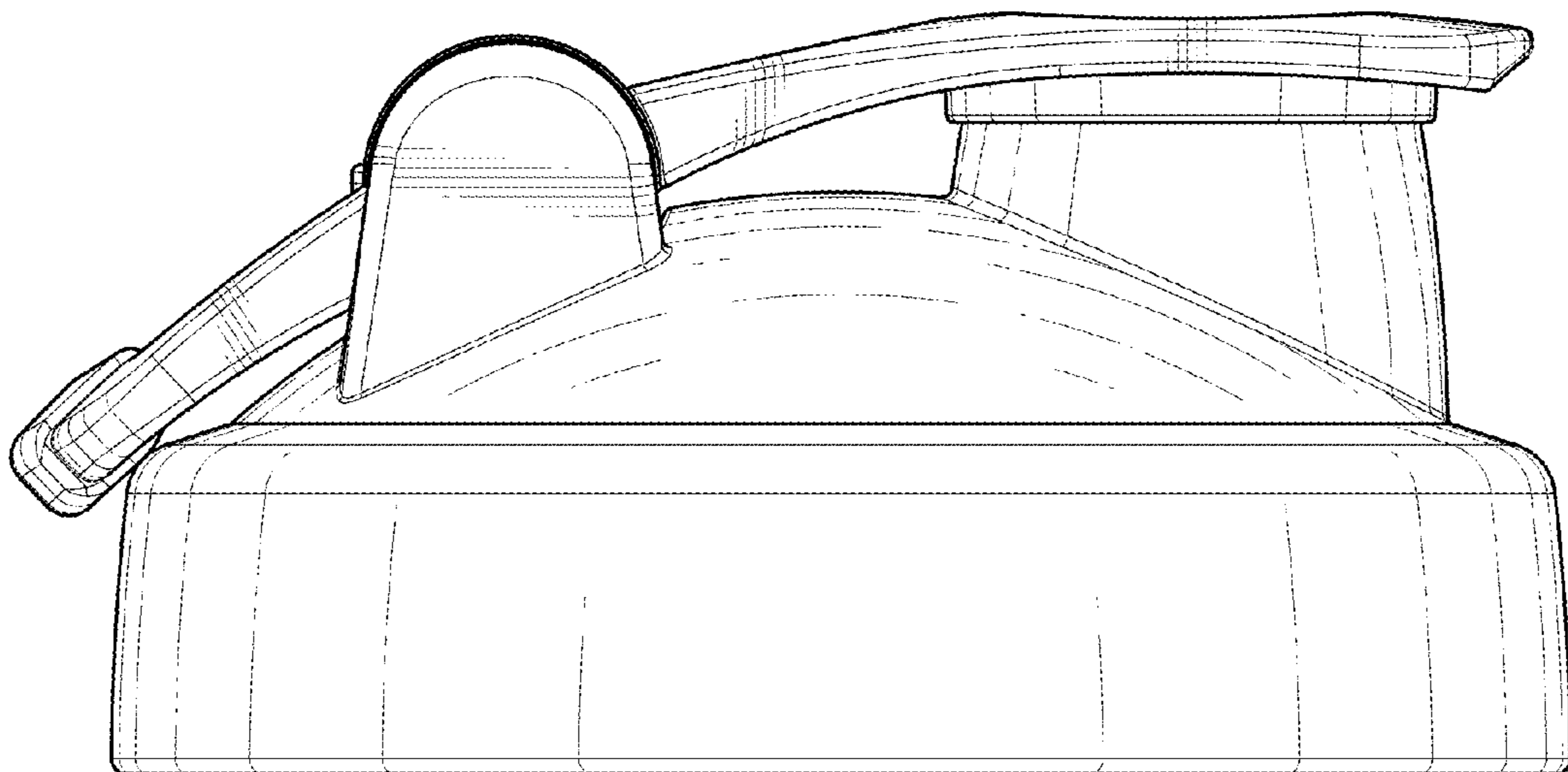


Fig. 5

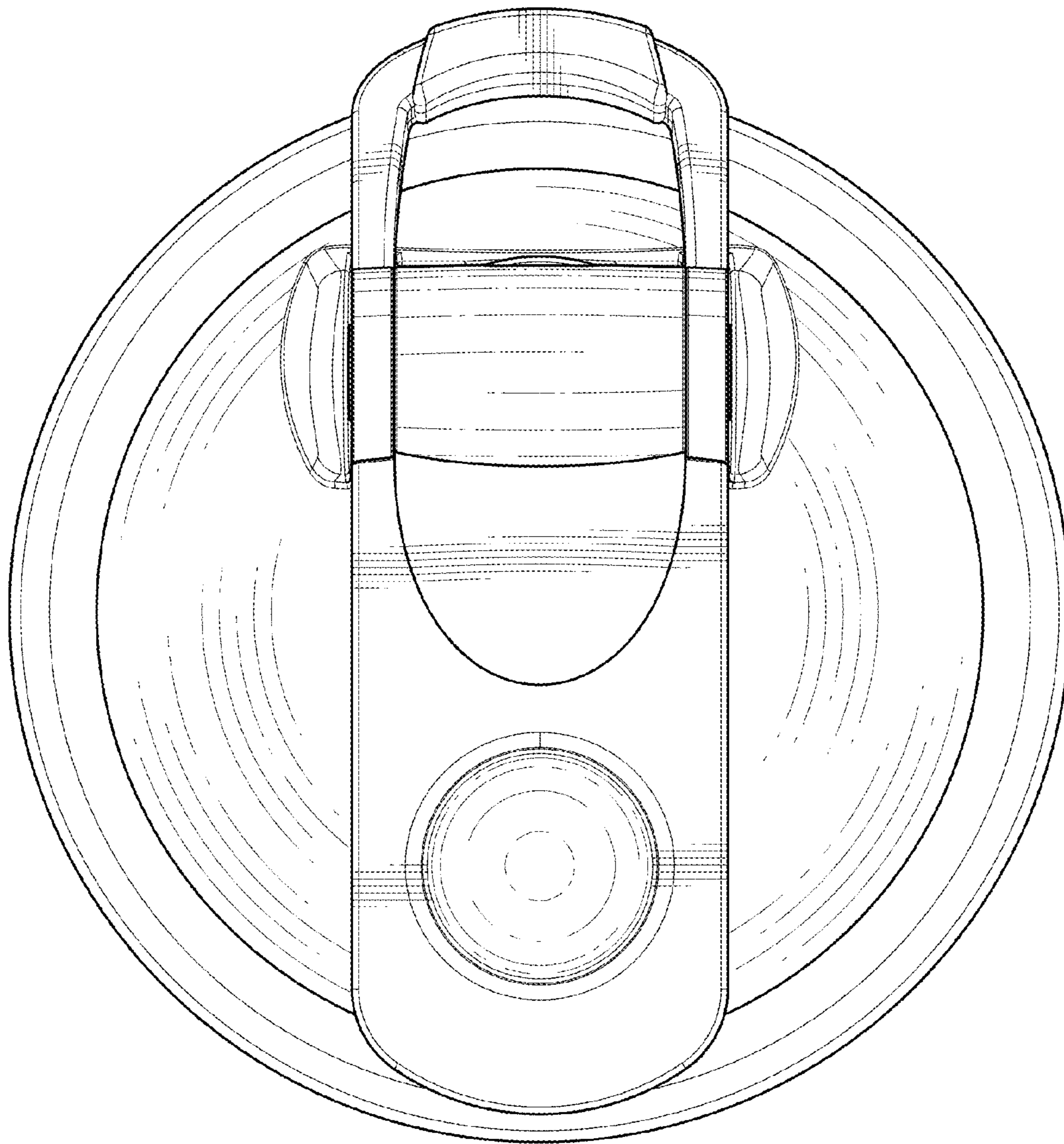


Fig. 6

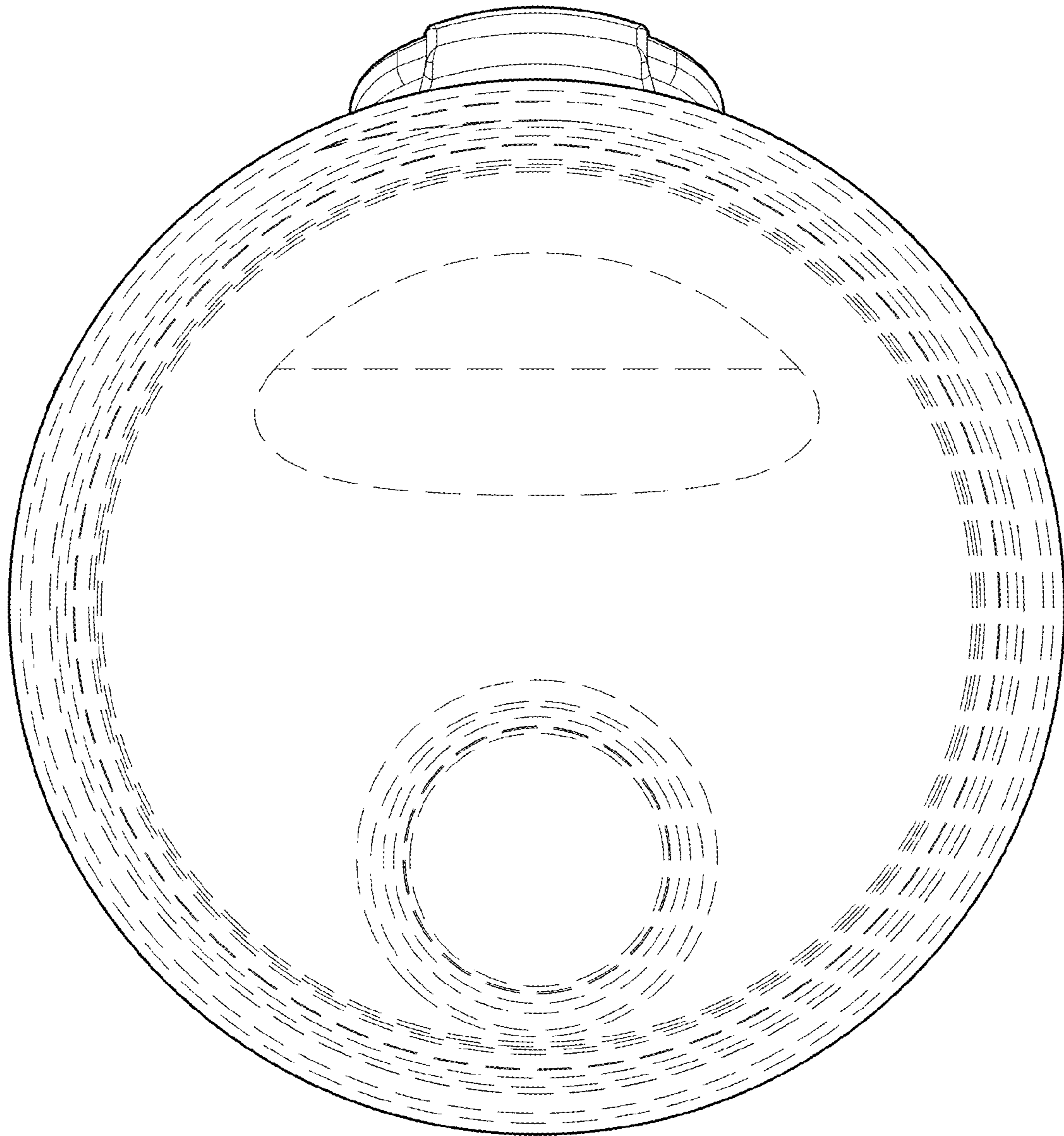


Fig. 7

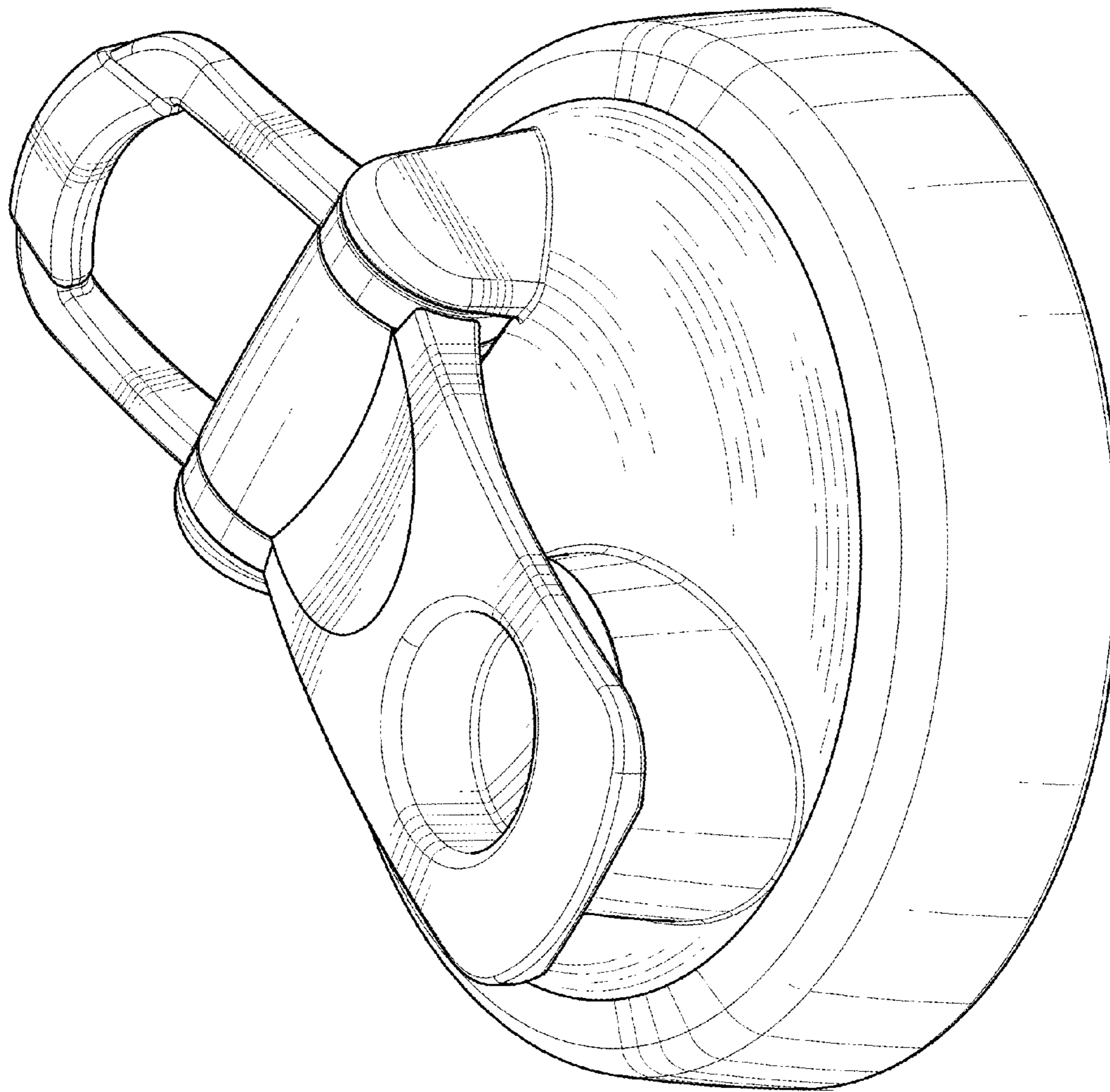


Fig. 8