



US00D748473S

(12) **United States Design Patent**
Rendo

(10) **Patent No.:** **US D748,473 S**
(45) **Date of Patent:** **** Feb. 2, 2016**

- (54) **BAG CARRIER**
- (71) Applicant: **InkCycle, Inc.**, Lenexa, KS (US)
- (72) Inventor: **Benjamin C. Rendo**, Prairie Village, KS (US)
- (73) Assignee: **INKCYCLE, INC.**, Lenexa, KS (US)
- (**) Term: **14 Years**
- (21) Appl. No.: **29/497,974**
- (22) Filed: **Jul. 30, 2014**
- (51) **LOC (10) Cl.** **09-07**
- (52) **U.S. Cl.**
USPC **D9/434**
- (58) **Field of Classification Search**
USPC D2/624, 641, 643; D3/215, 318;
D7/394; D8/373, 354; D9/434, 435,
D9/443, 455, 456, 499, 718, 722;
D11/201; 24/104; 43/5; 81/426.5;
223/111; 224/667; 292/76, 80, 87;
294/24, 104, 137
CPC A45F 5/1026; A45F 2005/1033; A45F
5/102; B65G 7/12; F17C 2205/0165
See application file for complete search history.

D379,432 S *	5/1997	Santini	D9/434
D380,670 S *	7/1997	Blocker	D9/434
D386,409 S *	11/1997	Santini	D9/434
D388,326 S *	12/1997	Gurry et al.	D9/434
D400,785 S *	11/1998	Randall	D9/434
D417,393 S *	12/1999	DiMeo et al.	D9/434
D421,221 S *	2/2000	O’Kane	D9/434
D441,651 S *	5/2001	Nygren	D9/434
D441,653 S *	5/2001	LeRoux	D9/434
D448,665 S *	10/2001	Lenczowski	D9/434
D458,130 S *	6/2002	Ronne et al.	D9/434
D528,413 S *	9/2006	Baum	D9/434
D595,130 S *	6/2009	Bizzell	D9/434
D697,403 S *	1/2014	Rendo	D9/434
D702,120 S *	4/2014	Rendo	D9/434
D702,550 S *	4/2014	Rendo	D9/434
D709,760 S *	7/2014	Castell, Jr.	D9/434

* cited by examiner

Primary Examiner — Robert M Spear
Assistant Examiner — Darcey E Heflin
(74) *Attorney, Agent, or Firm* — Polsinelli PC

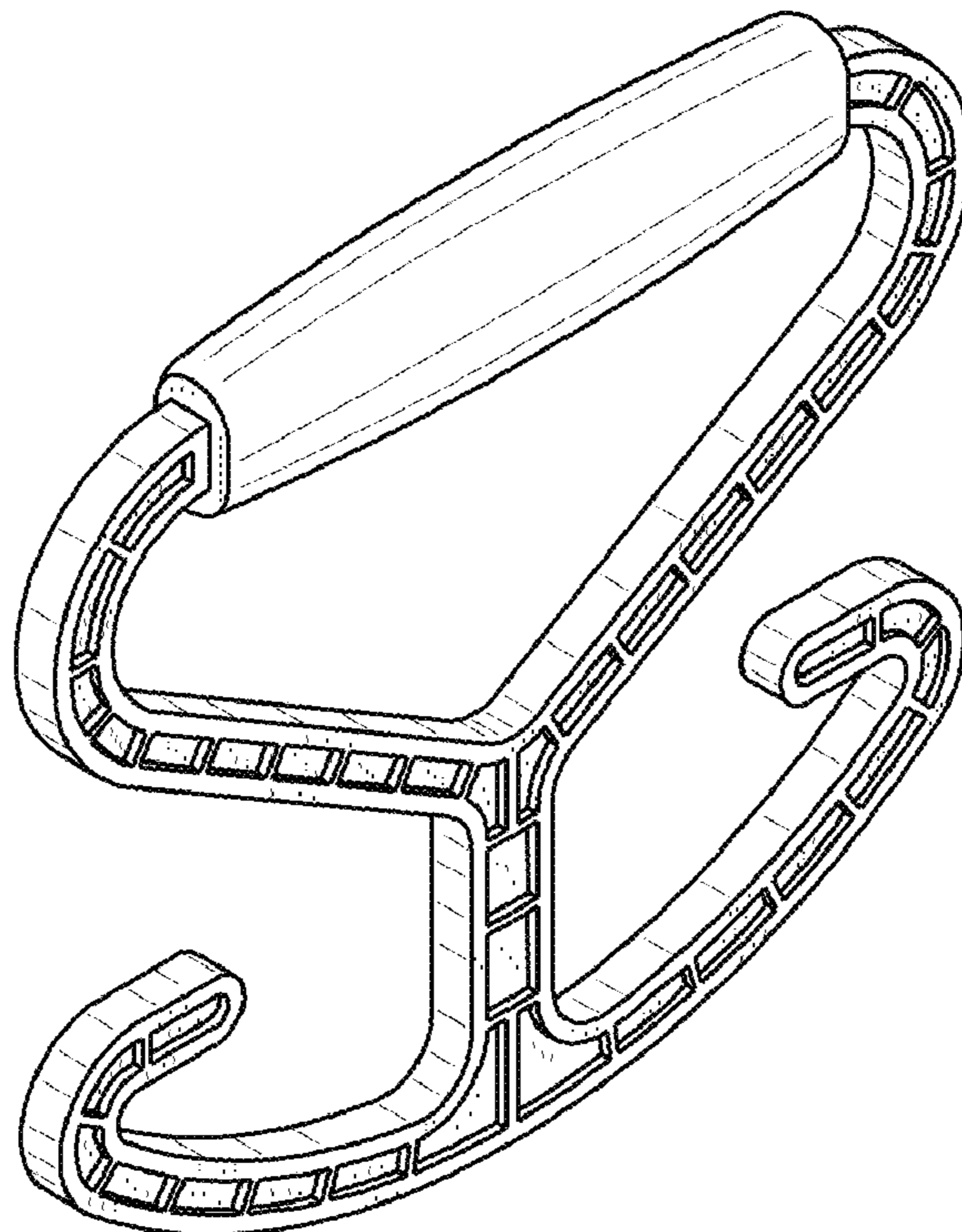
(57) **CLAIM**
The ornamental design for a bag carrier, as shown and described.

DESCRIPTION

FIG. 1 is a perspective view of the bag carrier;
FIG. 2 is a front view of the bag carrier;
FIG. 3 is a side view of the bag carrier;
FIG. 4 is a top view of the bag carrier; and,
FIG. 5 is a bottom view of the bag carrier.

- (56) **References Cited**
U.S. PATENT DOCUMENTS
D137,712 S * 4/1944 Miano D9/434
D269,253 S * 6/1983 Gagnon D9/434

1 Claim, 1 Drawing Sheet



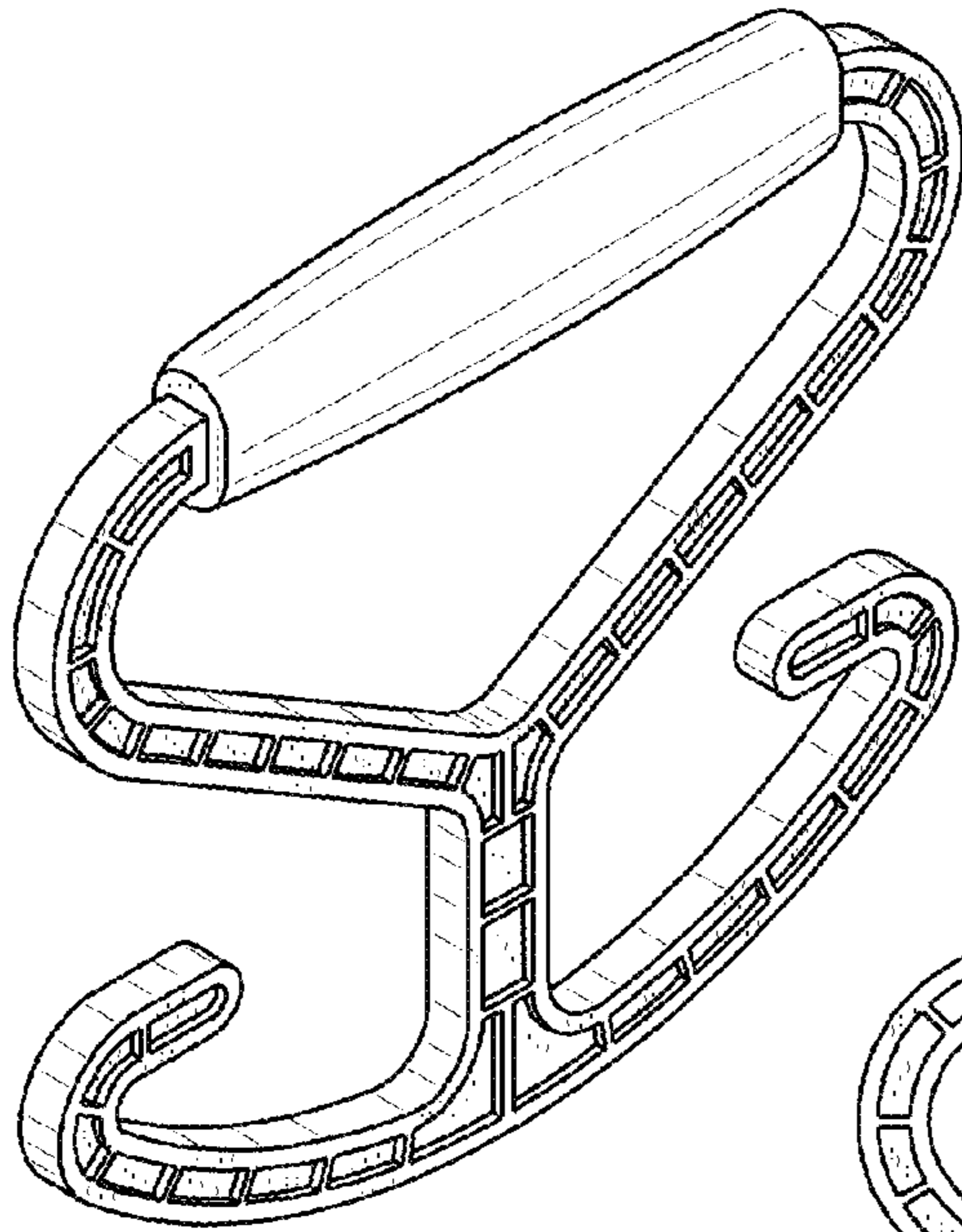


FIG. 1

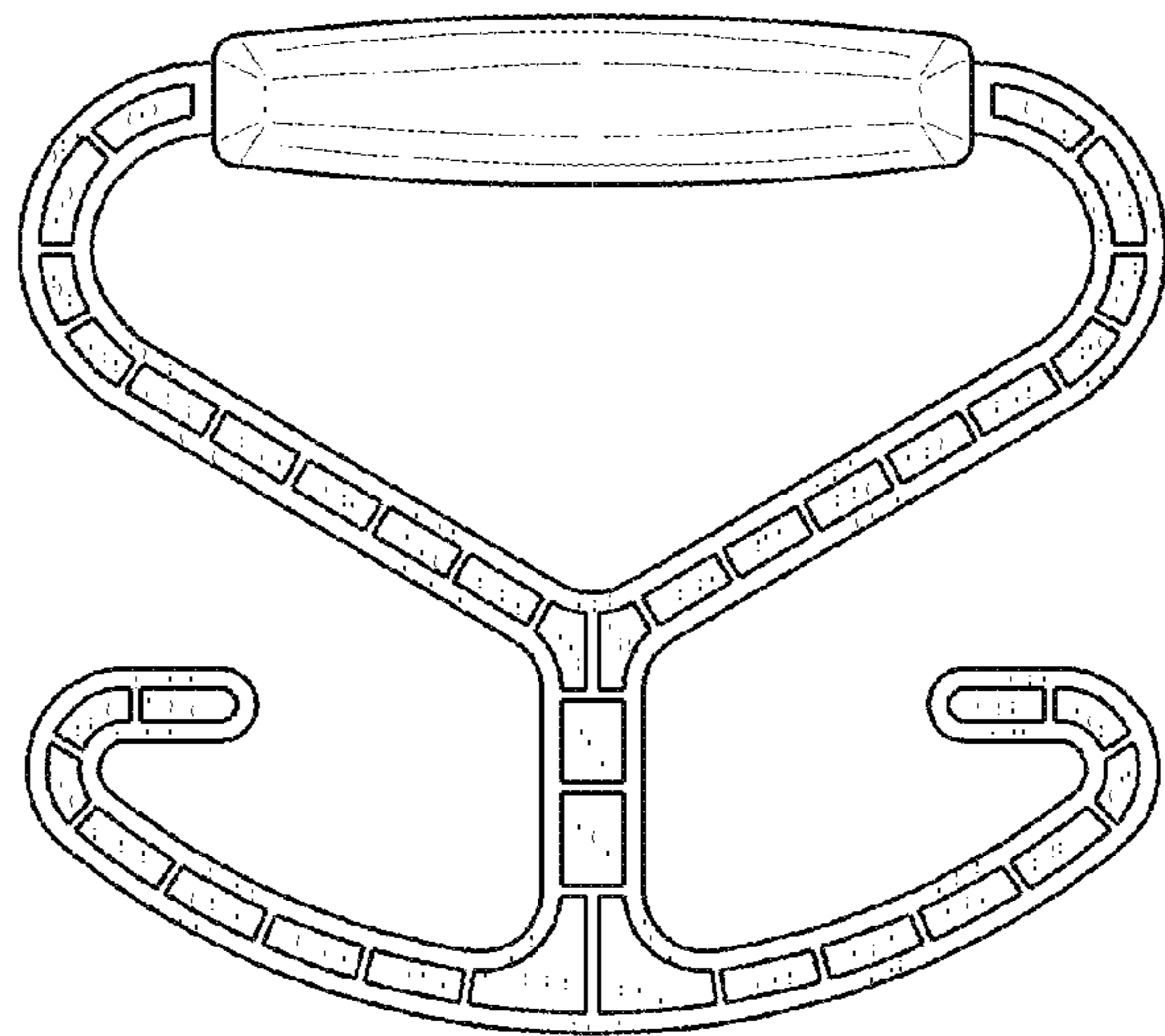


FIG. 2

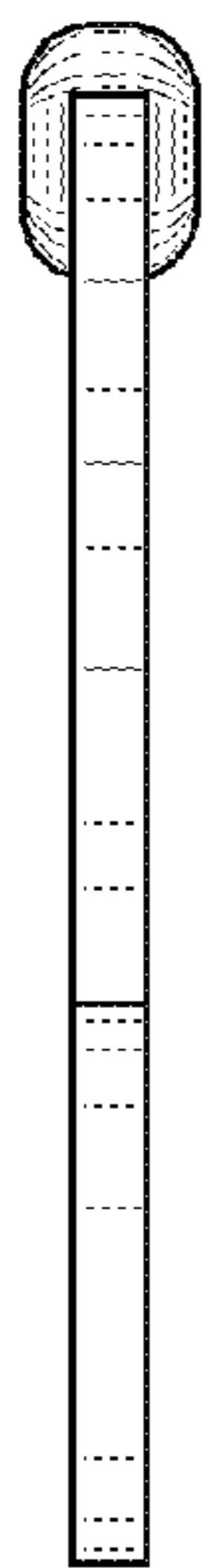


FIG. 3

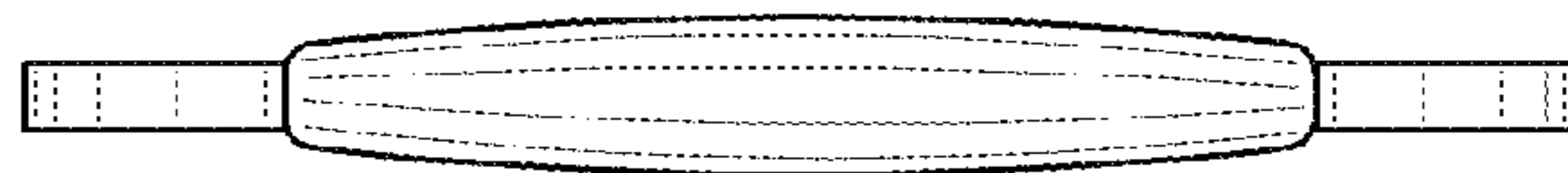


FIG. 4



FIG. 5