



US00D748472S

(12) **United States Design Patent**
Seybel et al.

(10) **Patent No.:** **US D748,472 S**

(45) **Date of Patent:** **** Feb. 2, 2016**

(54) **VENT**

FOREIGN PATENT DOCUMENTS

(71) Applicant: **W. L. Gore & Associates, GmbH**,
Putzbrunn (DE)
(72) Inventors: **Mike Seybel**, München (DE); **Joonas Riihimäki**, München (DE); **Rainer Enggruber**, Gruenwald (DE)
(73) Assignee: **W.L. GORE & ASSOCIATES GMBH**,
Putzbrunn (DE)

DE 10 2007 050 921 A1 5/2009
EP 0 377 067 A1 1/1989
EP 1 939 523 A1 7/2008
EP 1 964 658 A1 9/2008
EP 1 955 901 B1 5/2009
EP 1 270 207 B1 3/2010
EP 2 236 918 A2 10/2010
EP 1 363 069 B1 2/2011
EP 2 292 473 A1 3/2011
EP 2 441 625 A1 4/2012
WO WO 2011/114640 A1 3/2011

(**) Term: **14 Years**

* cited by examiner

(21) Appl. No.: **29/472,067**

Primary Examiner — Robert M Spear

(22) Filed: **Nov. 8, 2013**

Assistant Examiner — Marissa J Cash

(51) **LOC (10) Cl.** **09-07**

(74) *Attorney, Agent, or Firm* — Kilpatrick Townsend & Stockton LLP

(52) **U.S. Cl.**
USPC **D9/434**

(57) **CLAIM**

(58) **Field of Classification Search**
USPC D7/396.2, 507, 509, 510, 511;
D9/434–455, 524, 682, 685, 694;
215/200, 235, 236, 252, 254, 329,
215/355–364; 220/203.04–203.07, 220,
220/254.1, 254.4, 556, 703, 704, 705;
D6/542–545

What is claimed is a design of a vent, as shown and described.

See application file for complete search history.

DESCRIPTION

(56) **References Cited**

U.S. PATENT DOCUMENTS

D583,670 S * 12/2008 Lamb et al. D9/454
8,528,757 B2 * 9/2013 Bisio 215/252
D713,247 S * 9/2014 Webster et al. D9/454
2010/0068431 A1 3/2010 Bansal et al.
2010/0227543 A1 9/2010 Furuyama
2011/0275305 A1 11/2011 Egersdoerfer et al.

FIG. 1 is a three-quarter top isometric view of a vent of the design of the present invention;
FIG. 2 is a front side view of the vent design of FIG. 1;
FIG. 3 is back side view of the vent design of FIG. 1;
FIG. 4 is a right side view of the vent design of FIG. 1;
FIG. 5 is a left side view of the vent design of FIG. 1;
FIG. 6 is a bottom view of the vent design of FIG. 1;
FIG. 7 is a top plan view of the vent design of FIG. 1; and,
FIG. 8 is a three-quarter bottom isometric view of the vent design of FIG. 1.

Broken lines in the Figures form no part of the claimed design.

1 Claim, 8 Drawing Sheets

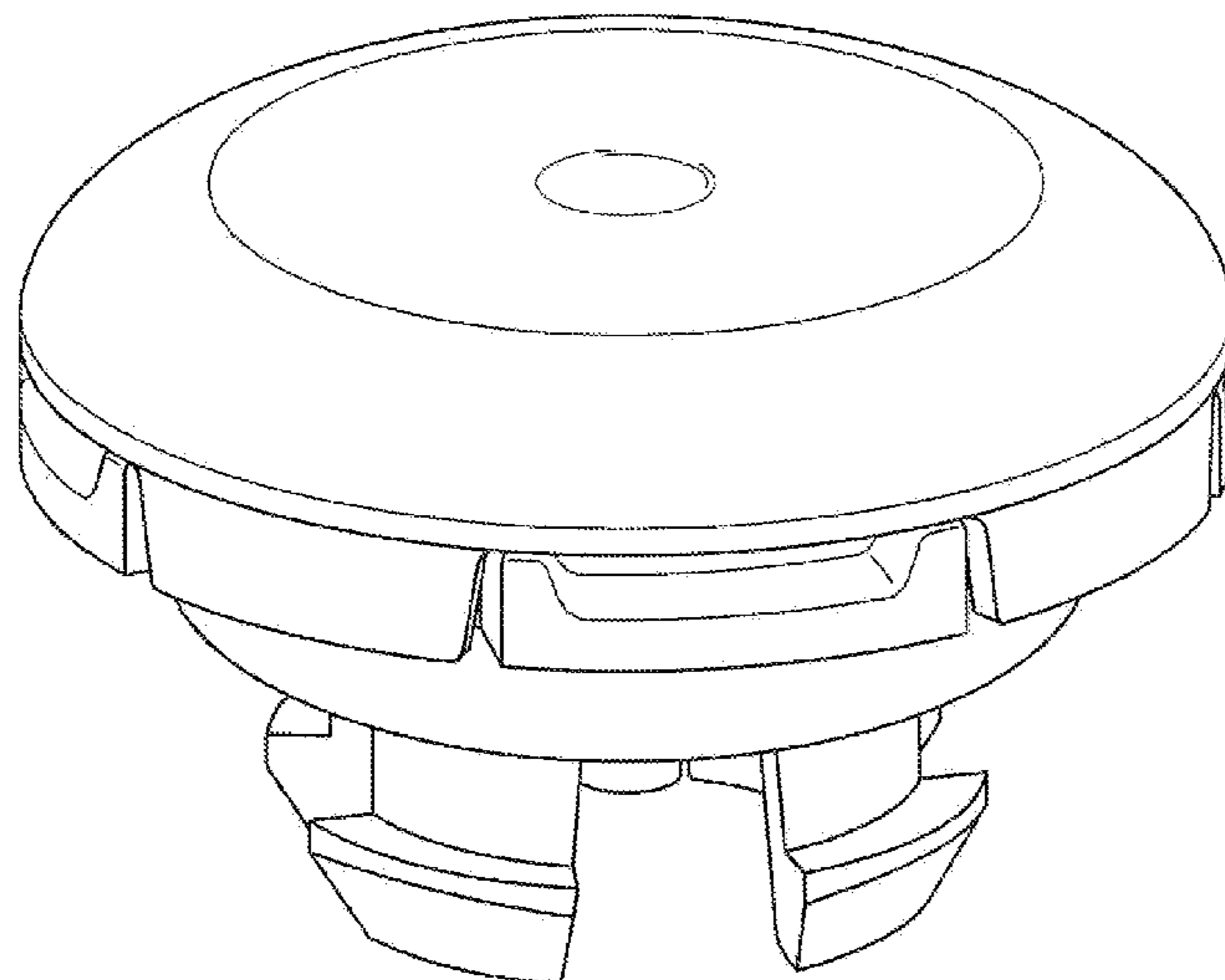


Fig 1

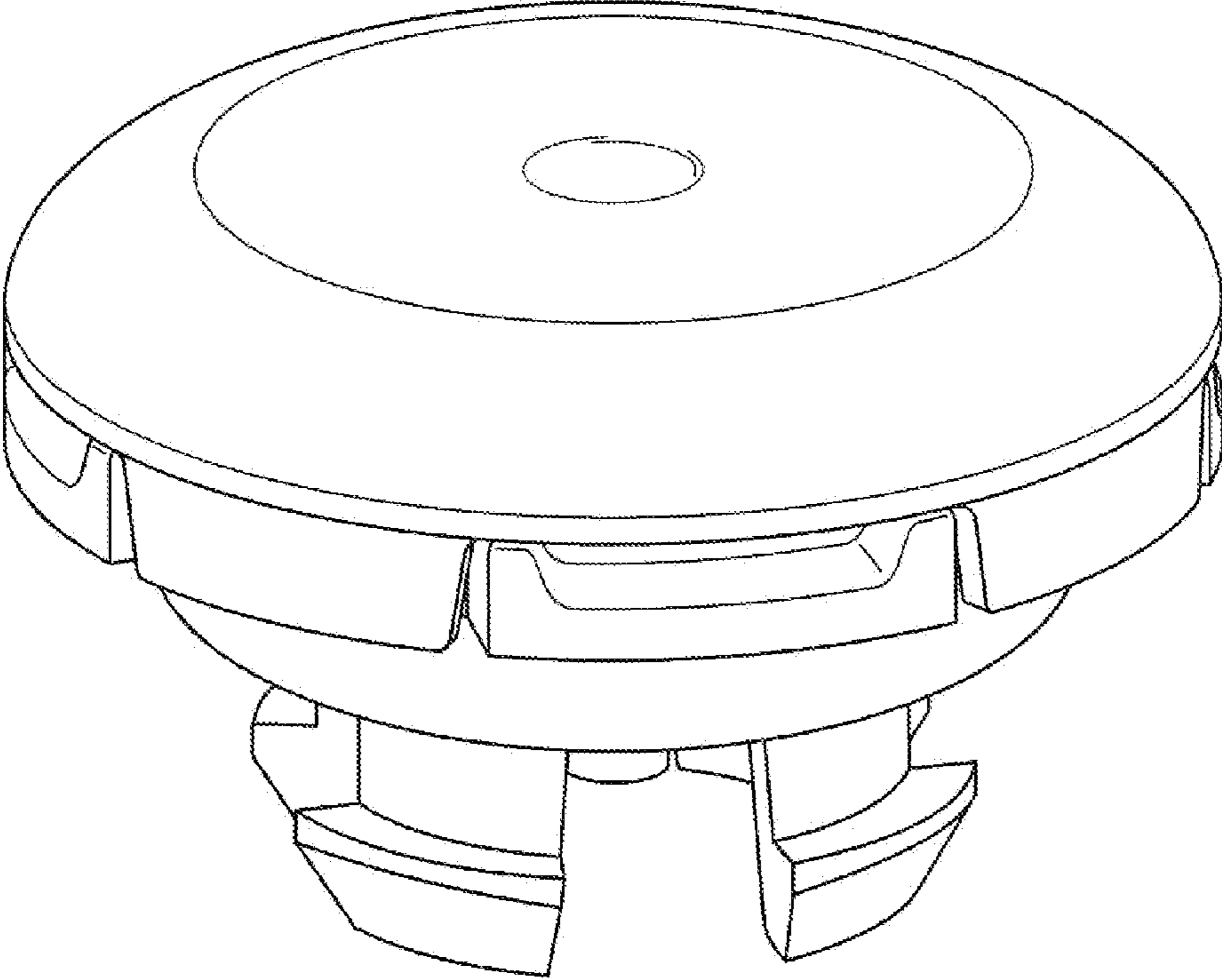


Fig 2

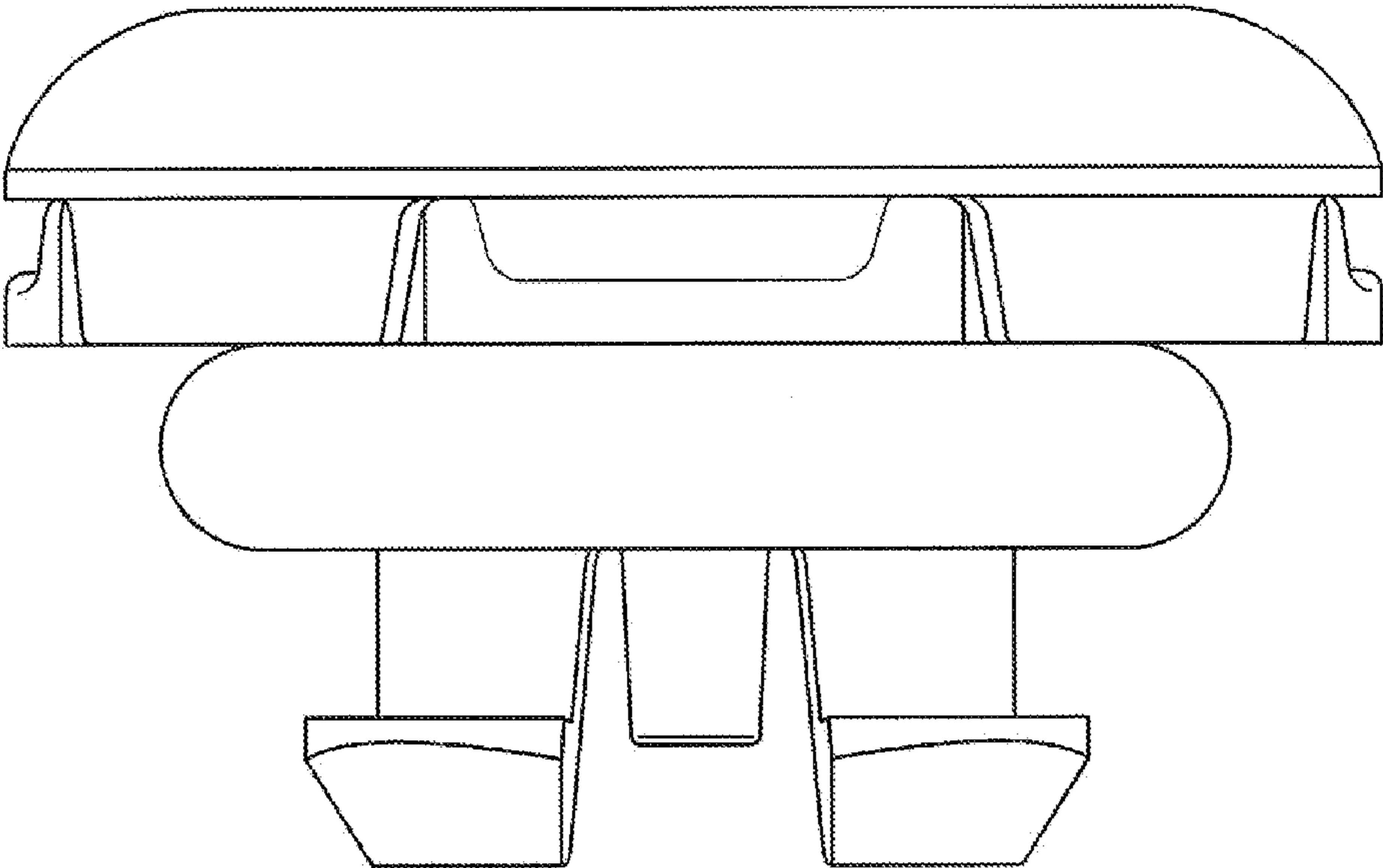


Fig 3

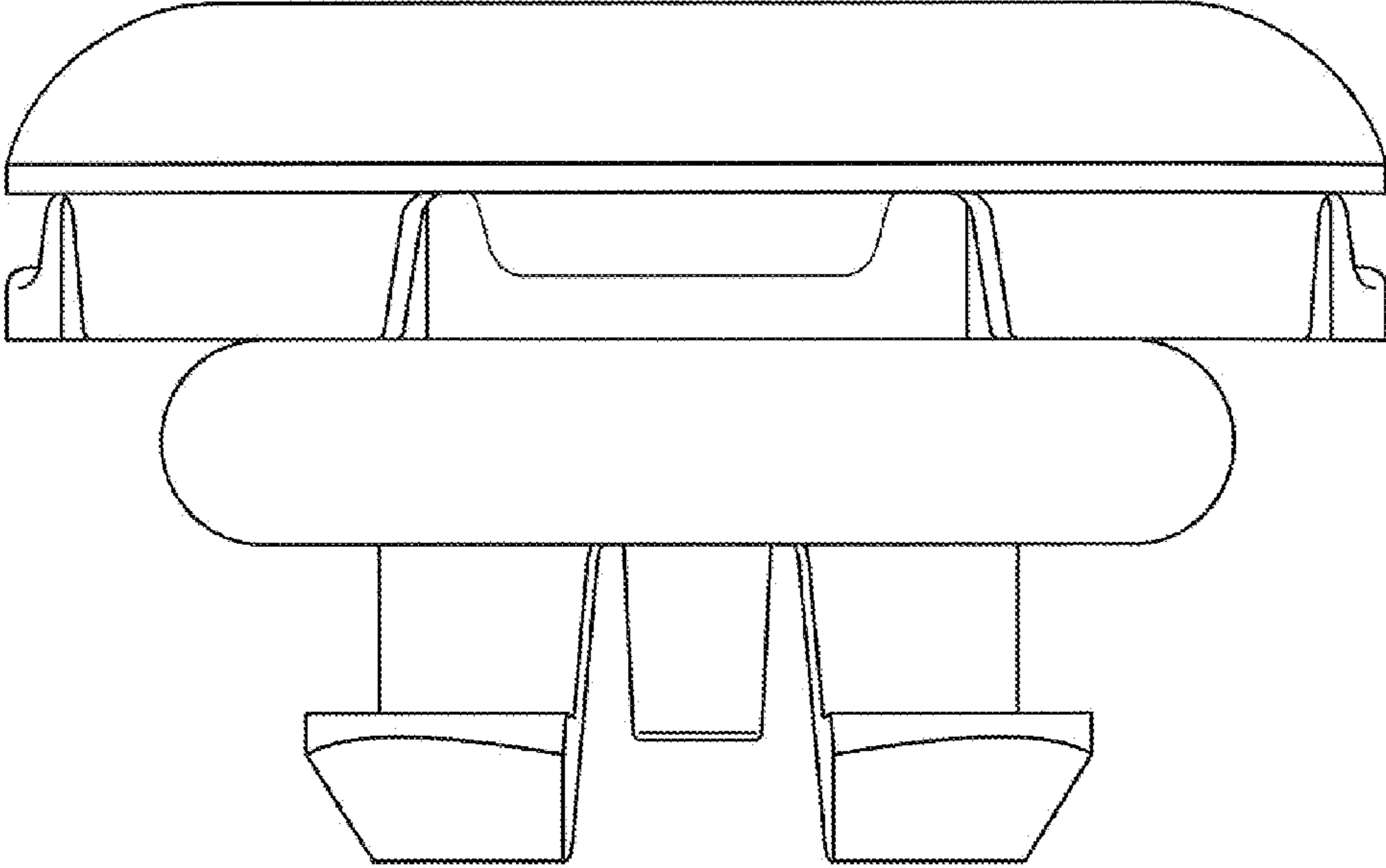


Fig 4

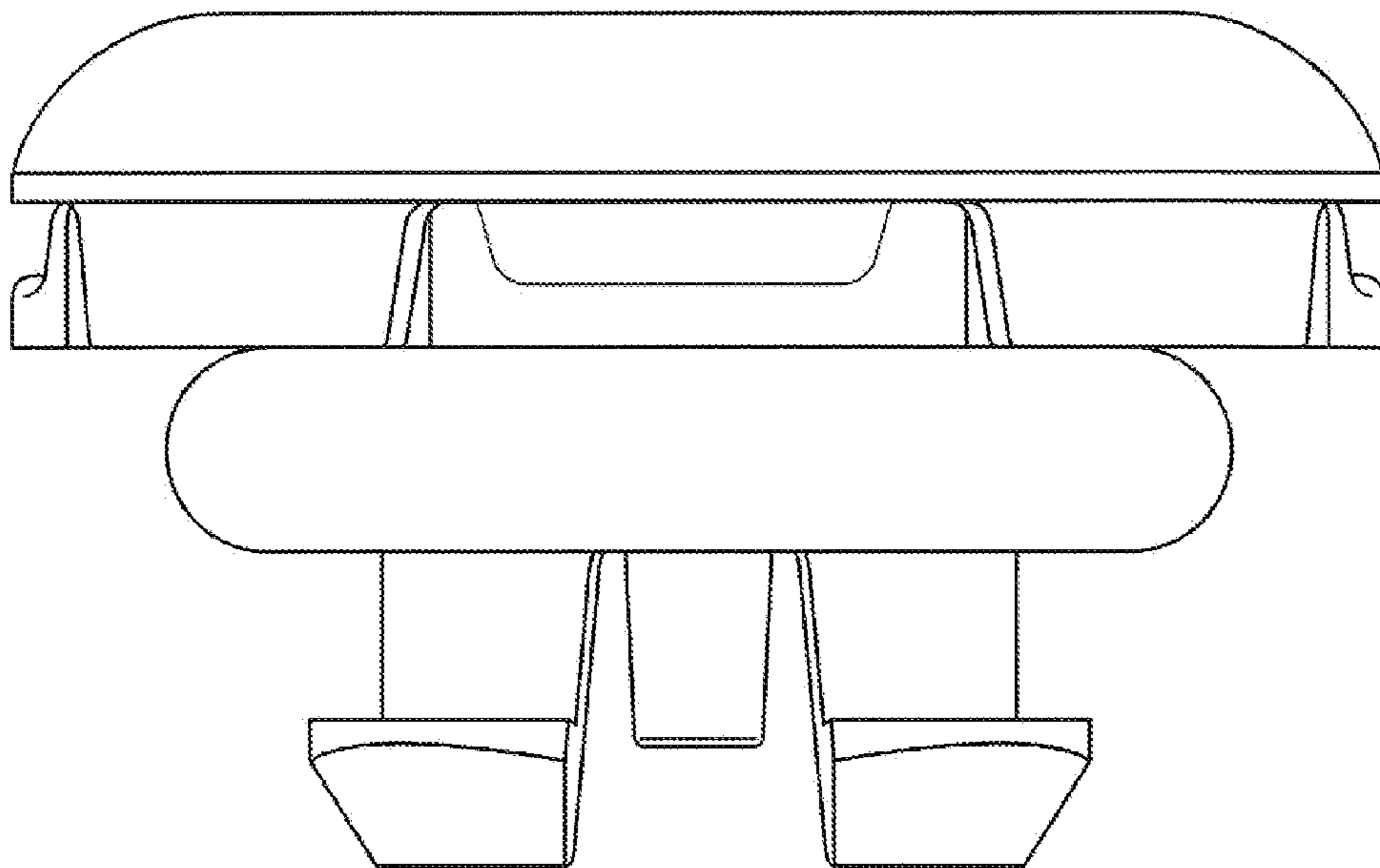


Fig 5

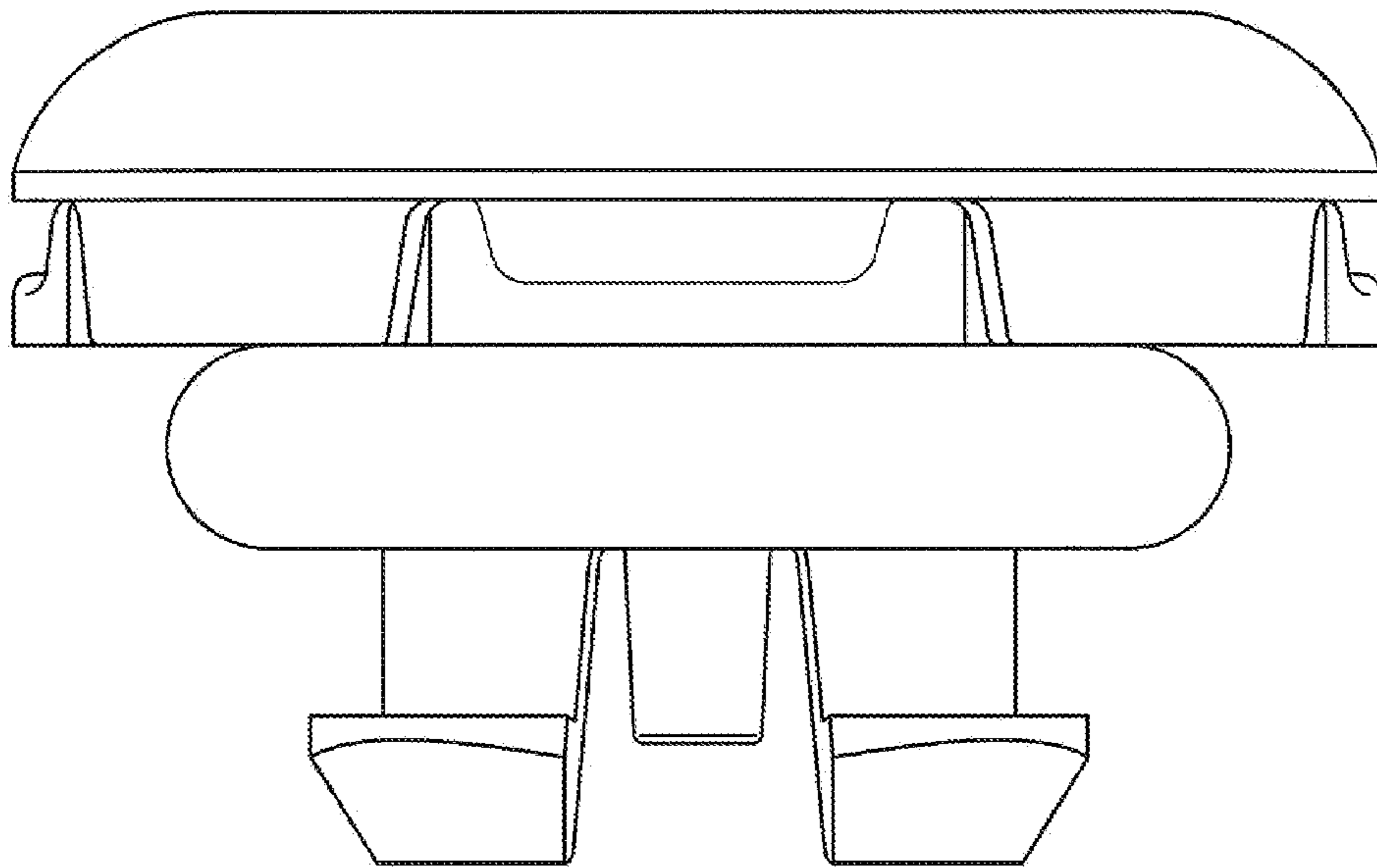


Fig 6

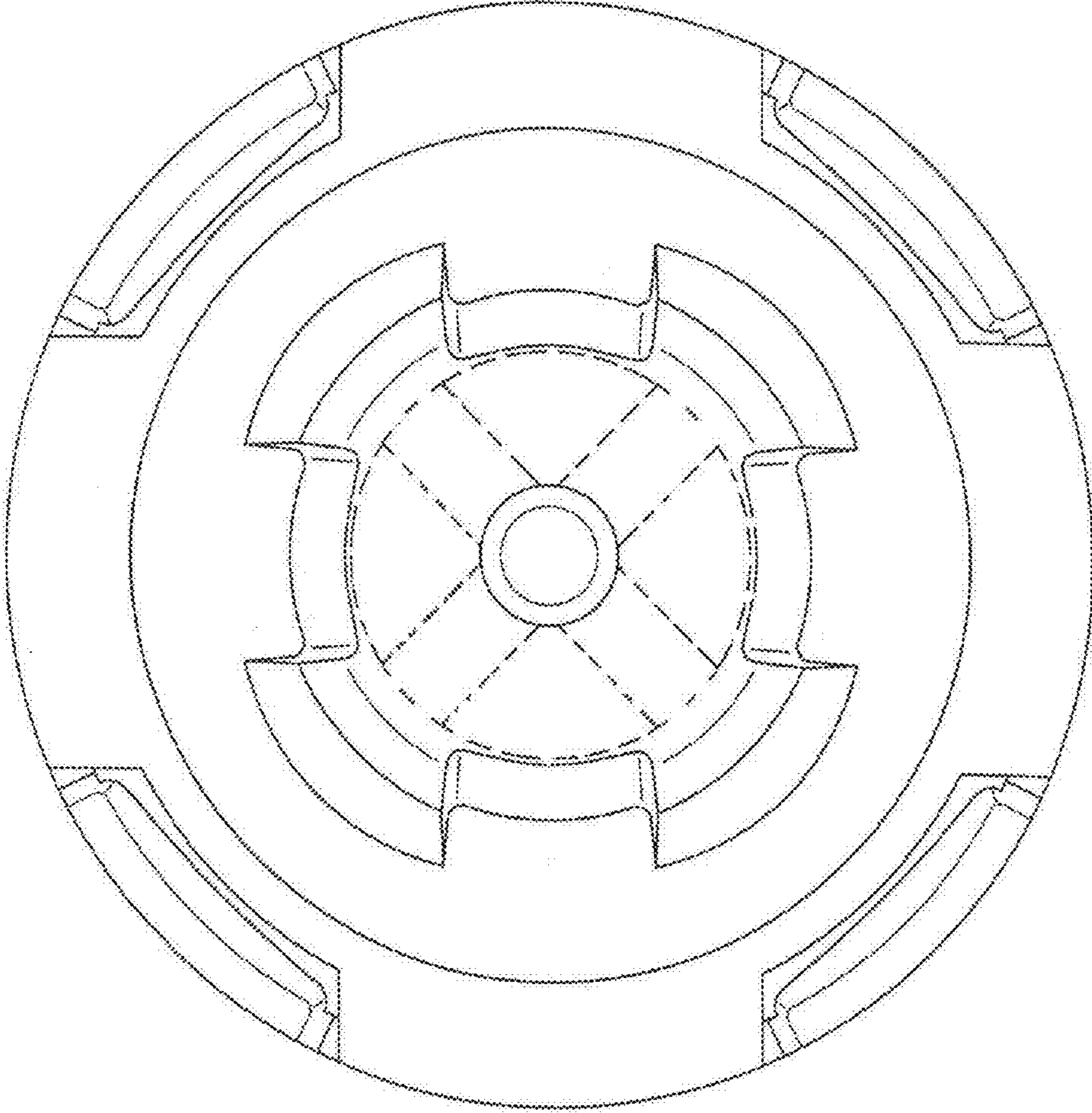


Fig 7

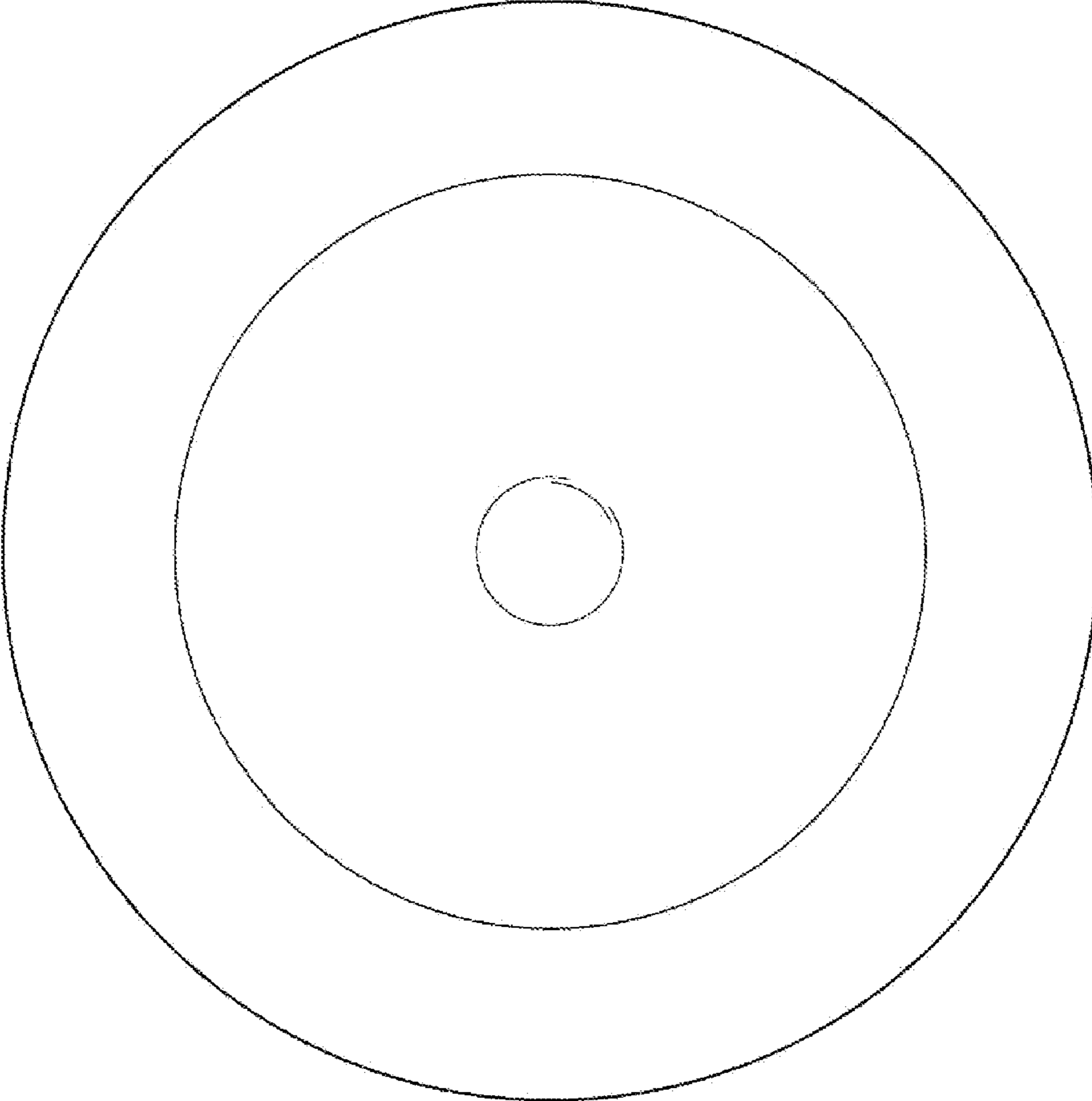


Fig 8

