



US00D748470S

(12) **United States Design Patent**
Mohn et al.

(10) **Patent No.:** **US D748,470 S**
(45) **Date of Patent:** **** Feb. 2, 2016**

(54) **PACKAGE**

(71) Applicant: **IPI S.R.L.**, San Sisto (PG) (IT)

(72) Inventors: **Arne Mohn**, Rome (IT); **Luca Moroni**, Perugia (IT)

(73) Assignee: **IPI S.R.L.**, San Sisto (IT)

(**) Term: **14 Years**

(21) Appl. No.: **29/484,568**

(22) Filed: **Mar. 11, 2014**

(30) **Foreign Application Priority Data**

Sep. 11, 2013 (EM) 001383210-0008
Sep. 11, 2013 (EM) 001383210-0010
Sep. 11, 2013 (EM) 001383210-0020
Sep. 11, 2013 (EM) 001383210-0022

(51) **LOC (10) Cl.** **09-03**

(52) **U.S. Cl.**
USPC **D9/432**

(58) **Field of Classification Search**

USPC D9/414-434, 442-445, 456-457, 542,
D9/563, 600, 614-624, 655, 657, 658, 661,
D9/695, 697-699, 707-708, 711,
D9/772-776; D7/601, 602, 538, 540,
D7/550.1; D3/202, 203.5, 203.6, 205
CPC B65D 5/00; B65D 5/001; B65D 5/0015;
B65D 5/0227-5/0254; B65D 5/0045; B65D
5/18; B65D 5/2033; B65D 5/38; B65D 5/40;
B65D 1/22; B65D 1/225; B65D 1/24; B65D
1/34; B65D 1/38

See application file for complete search history.

(56) **References Cited**

U.S. PATENT DOCUMENTS

D182,383 S * 3/1958 Samsin D9/414
5,938,107 A * 8/1999 Anchor et al. 229/109

D460,355 S * 7/2002 Lenz et al. D9/431
D521,373 S * 5/2006 Stanton D9/430
7,523,853 B2 * 4/2009 Kortsmitt et al. 229/108
D624,404 S * 9/2010 Darbonne D9/431
D635,018 S * 3/2011 Wallace et al. D9/433
D668,539 S * 10/2012 Barbieri et al. D9/431
D677,565 S * 3/2013 Barbieri et al. D9/431
D691,882 S * 10/2013 Barbieri et al. D9/430
D702,117 S * 4/2014 Dagnino D9/417
D714,638 S * 10/2014 Mohn et al. D9/432
D721,576 S * 1/2015 De Pietri Tonelli et al. ... D9/431
D734,144 S * 7/2015 Sanfilippo et al. D9/416
2011/0192118 A1 * 8/2011 Kaneko 53/458

* cited by examiner

Primary Examiner — Susan Bennett Hattan

Assistant Examiner — Vy Koenig

(74) *Attorney, Agent, or Firm* — Pearne & Gordon LLP

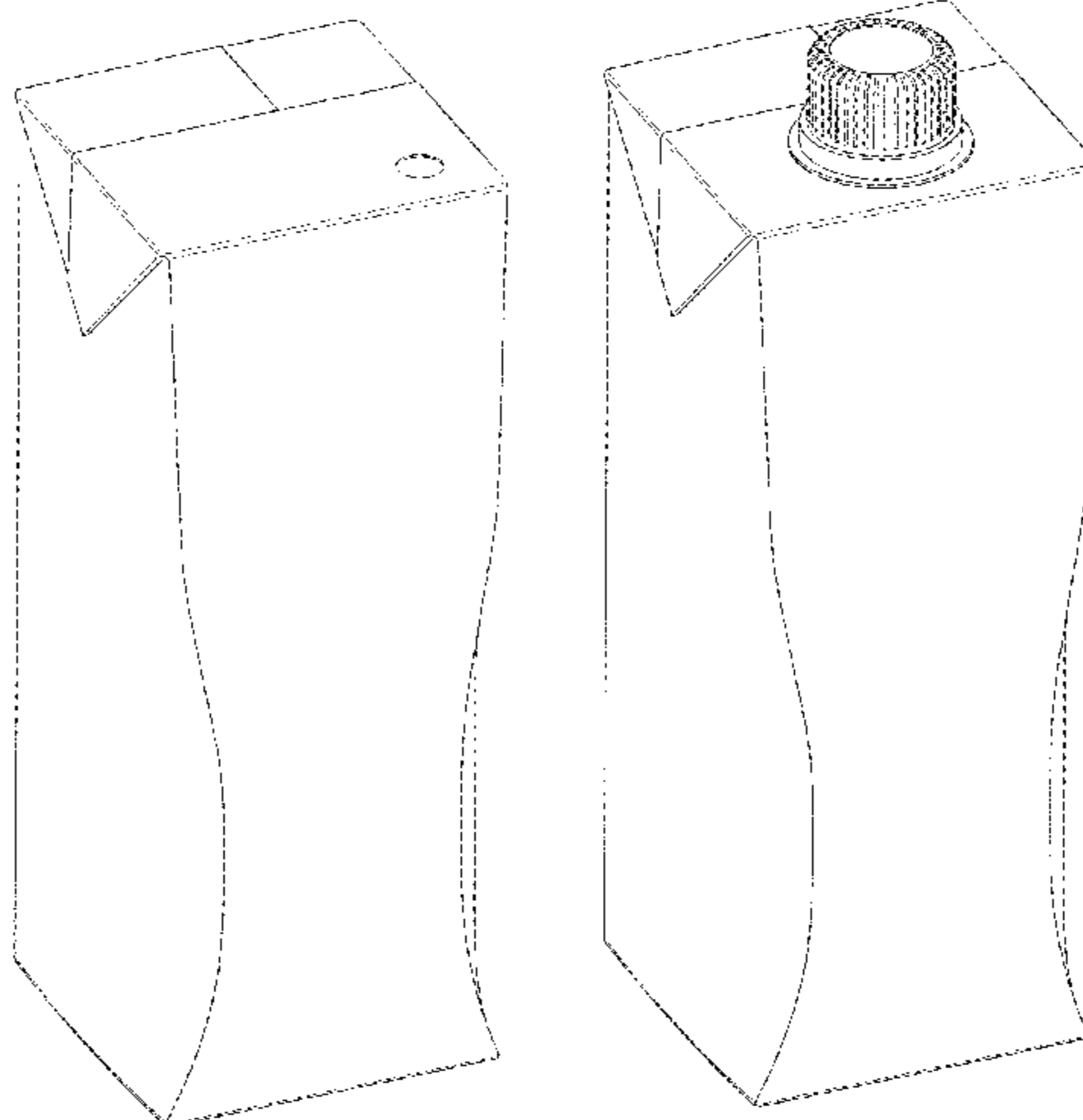
(57) **CLAIM**

The ornamental design for a package, as shown and described.

DESCRIPTION

FIG. 1 is a front-left perspective view of a first embodiment of a package, showing our new design;
FIG. 2 is a front elevational view thereof;
FIG. 3 is a right side elevational view thereof;
FIG. 4 is a left side elevational view thereof;
FIG. 5 is a back elevational view thereof;
FIG. 6 is a top plan view thereof;
FIG. 7 is a bottom plan view thereof;
FIG. 8 is a front-left perspective view of a second embodiment of a package, according to the invention;
FIG. 9 is a front elevational view thereof;
FIG. 10 is a right side elevational view thereof;
FIG. 11 is a left side elevational view thereof;
FIG. 12 is a back elevational view thereof;
FIG. 13 is a top plan view thereof; and,
FIG. 14 is a bottom plan view thereof.

1 Claim, 14 Drawing Sheets



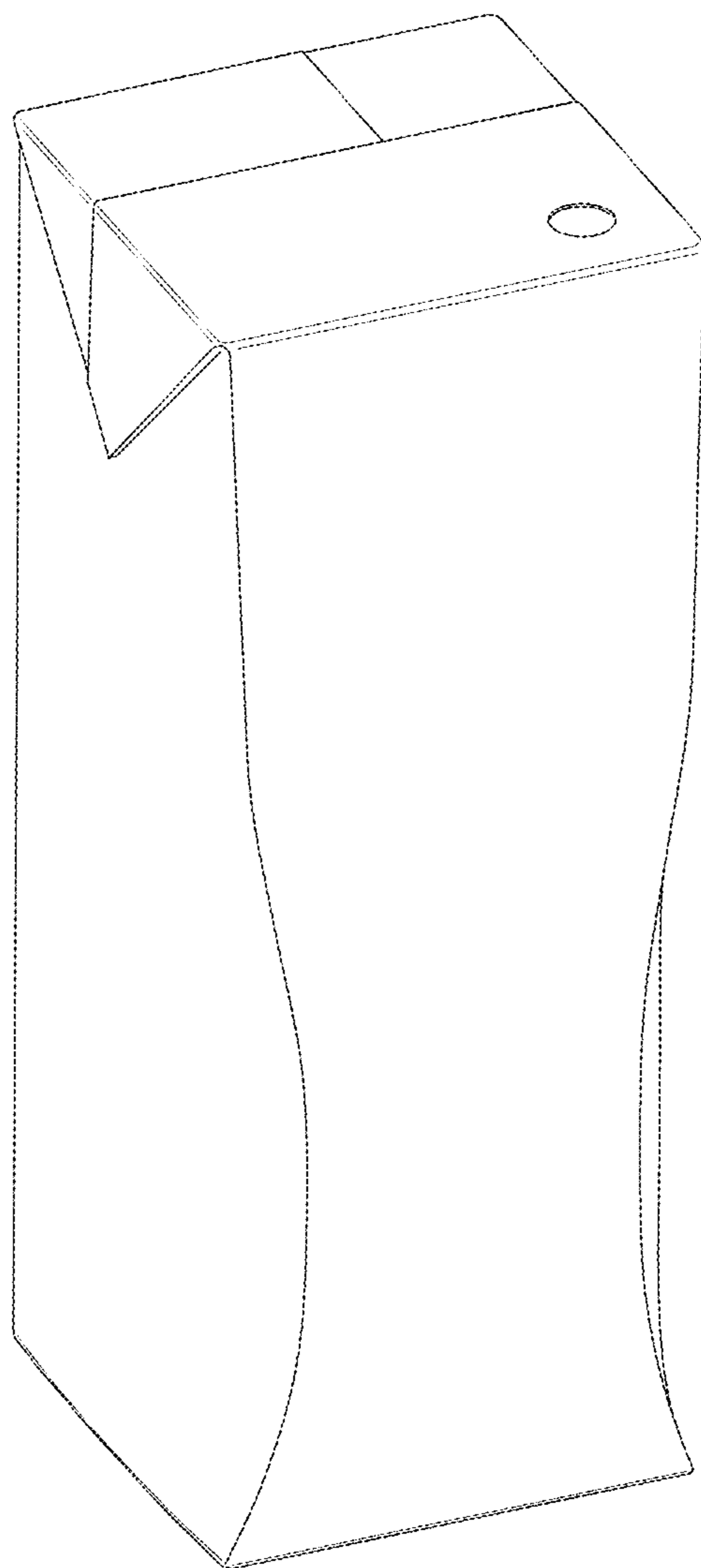


FIG. 1

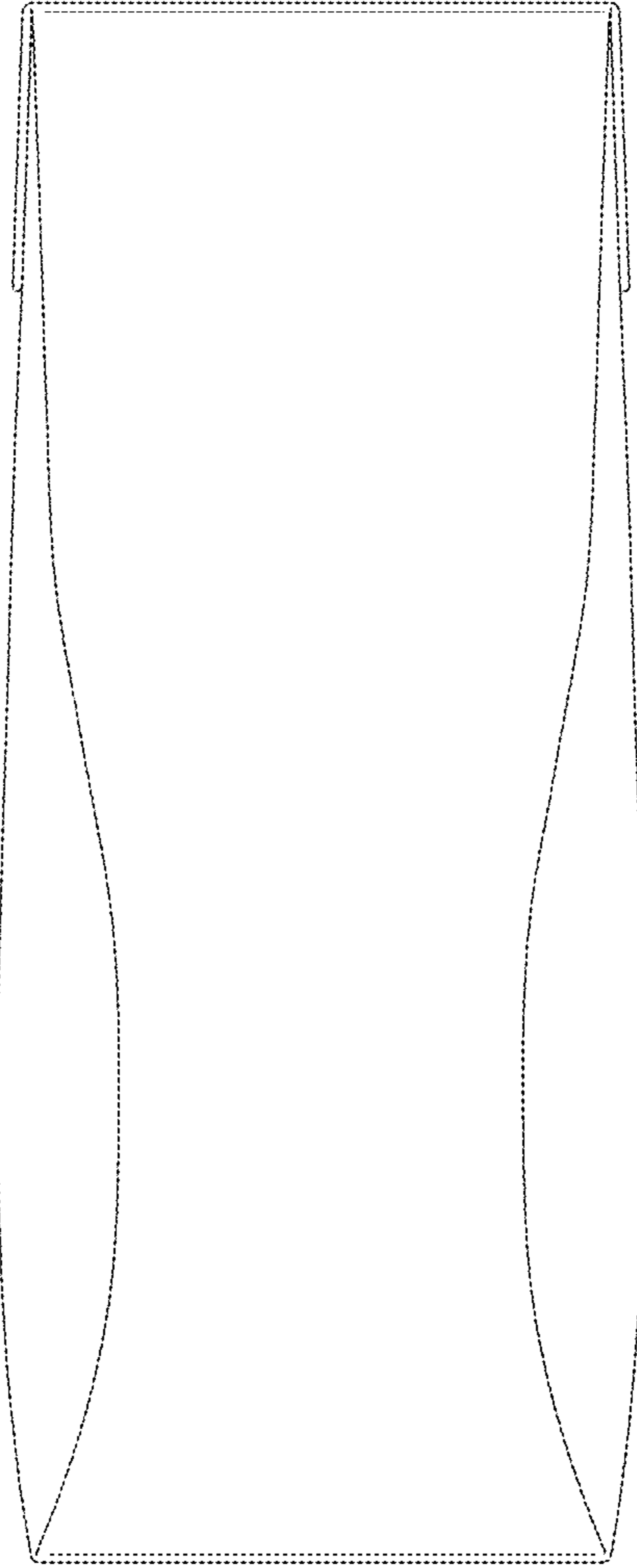


FIG. 2

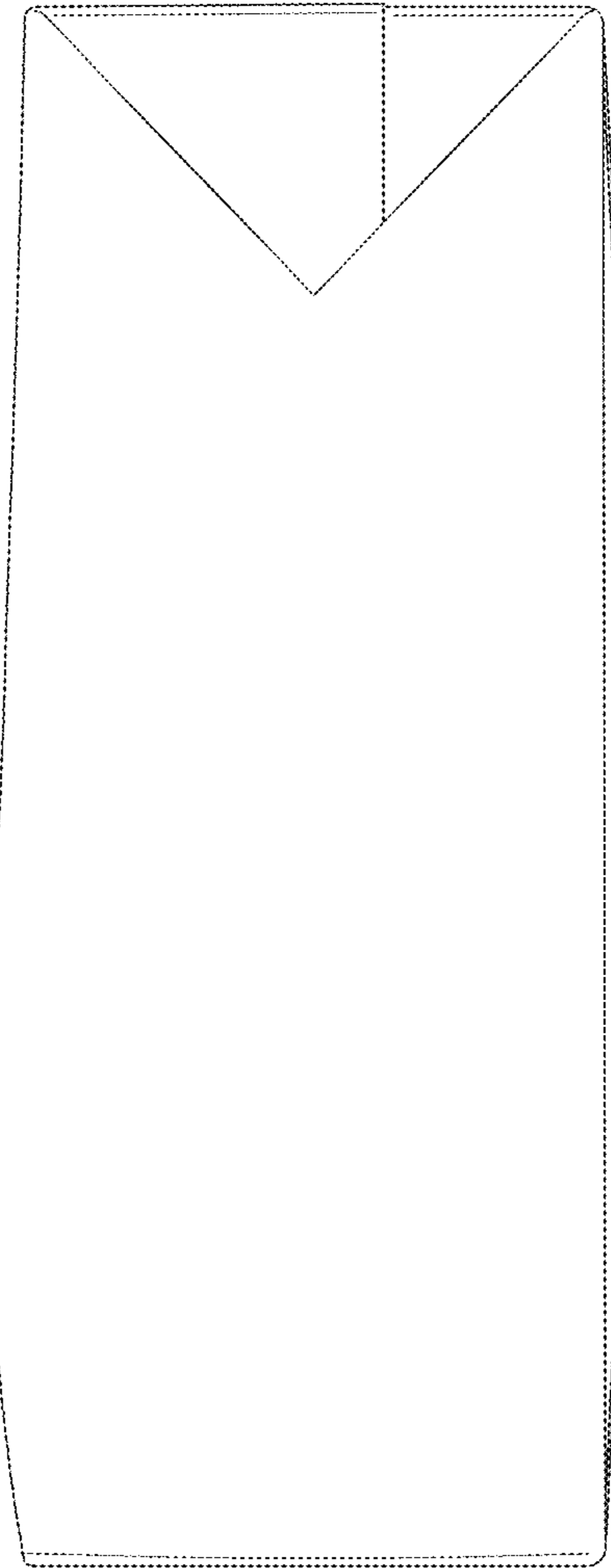


FIG. 3

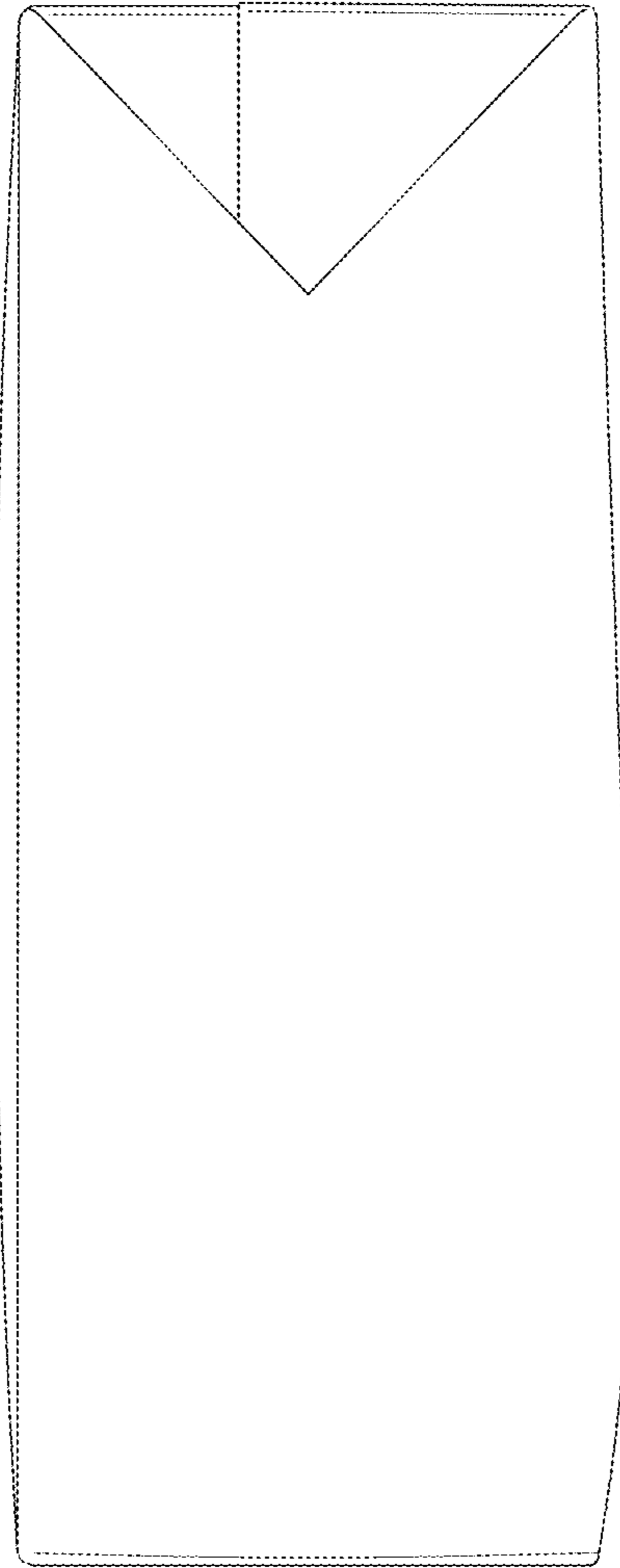


FIG. 4

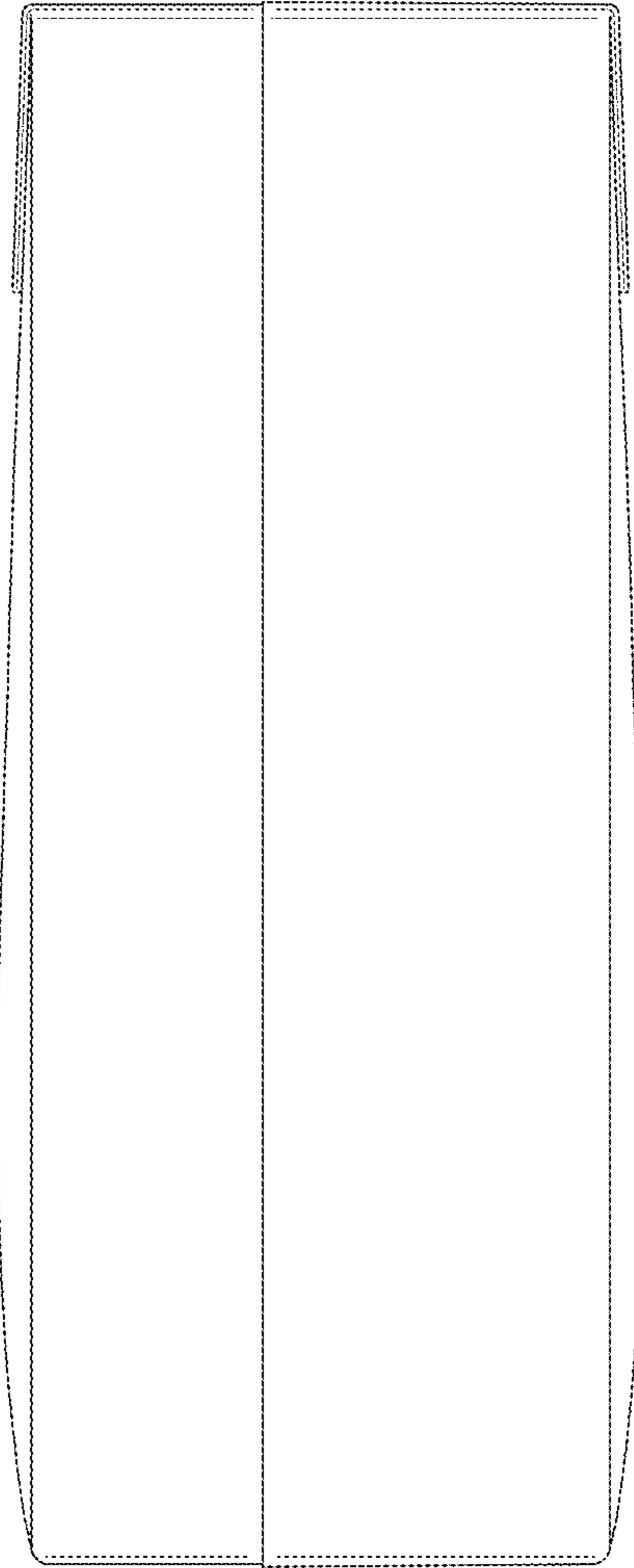


FIG. 5

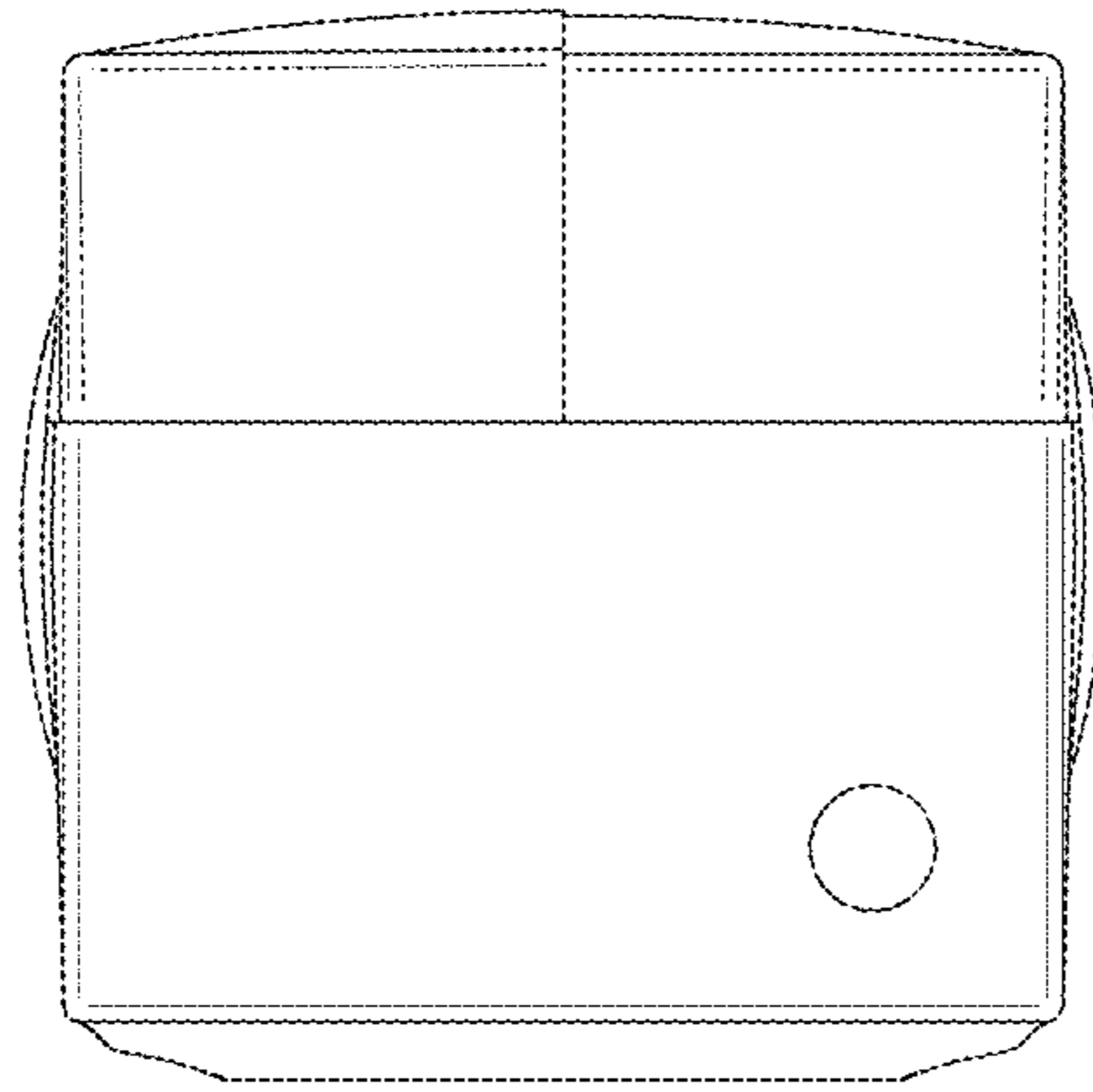


FIG. 6

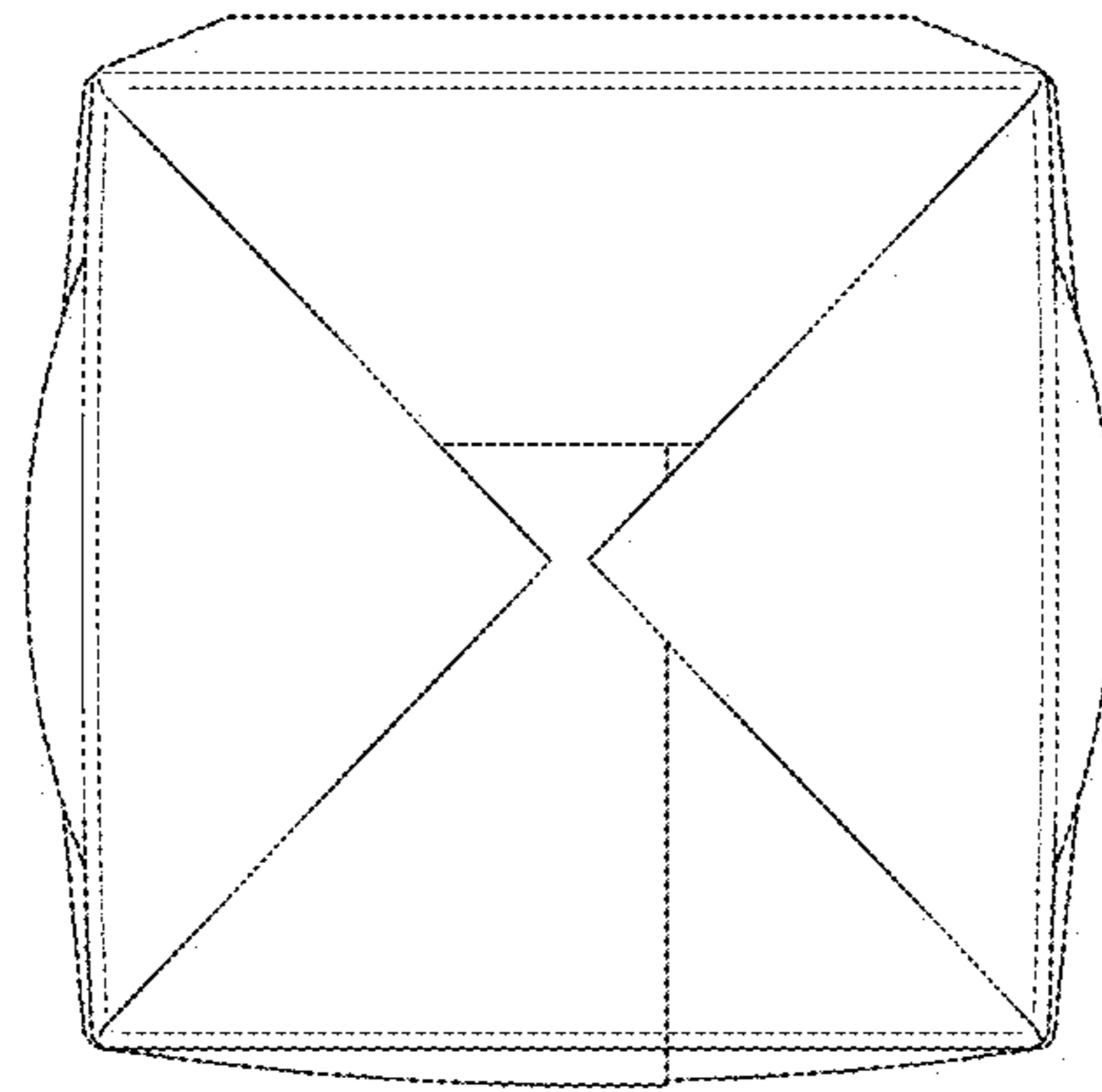


FIG. 7

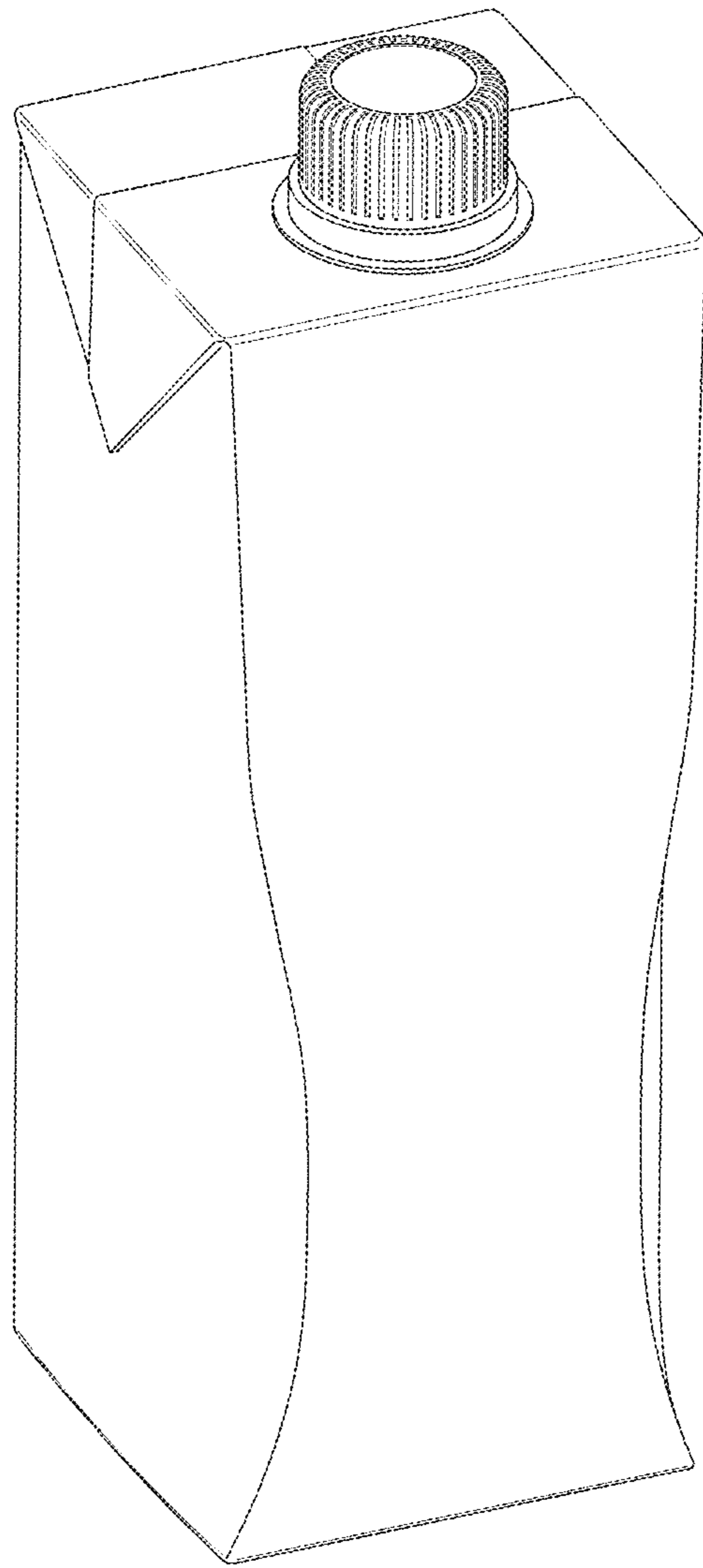


FIG. 8

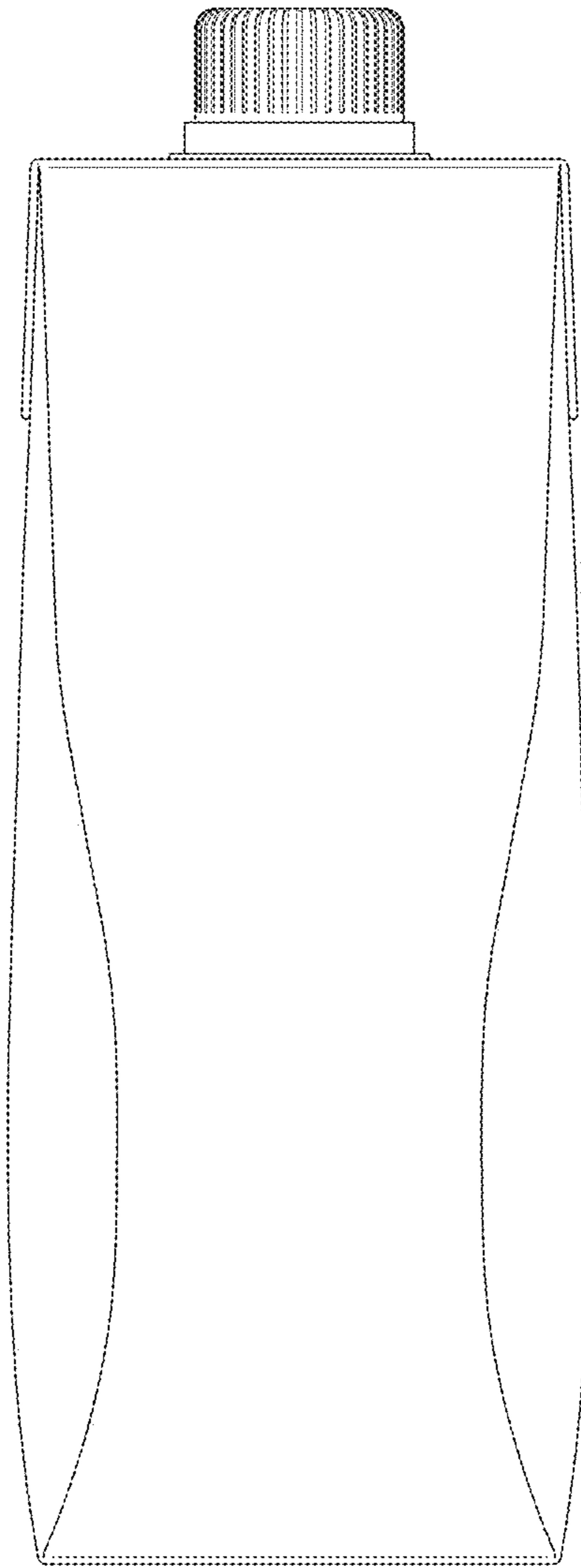


FIG. 9

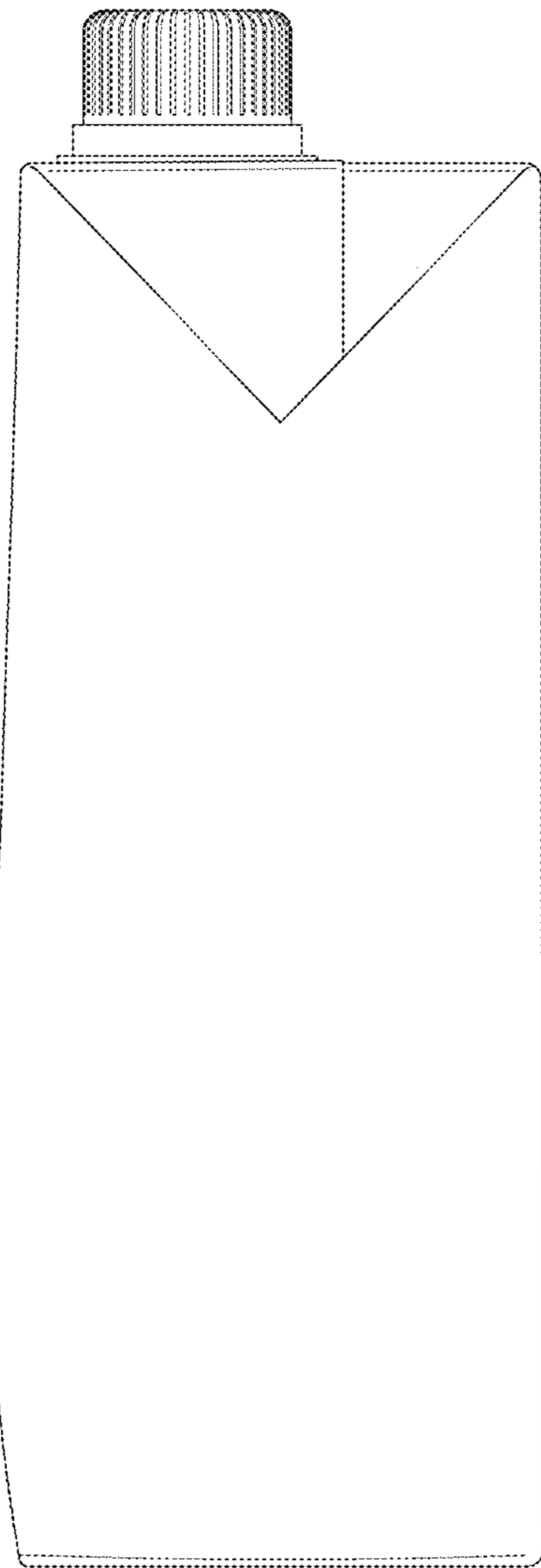


FIG. 10

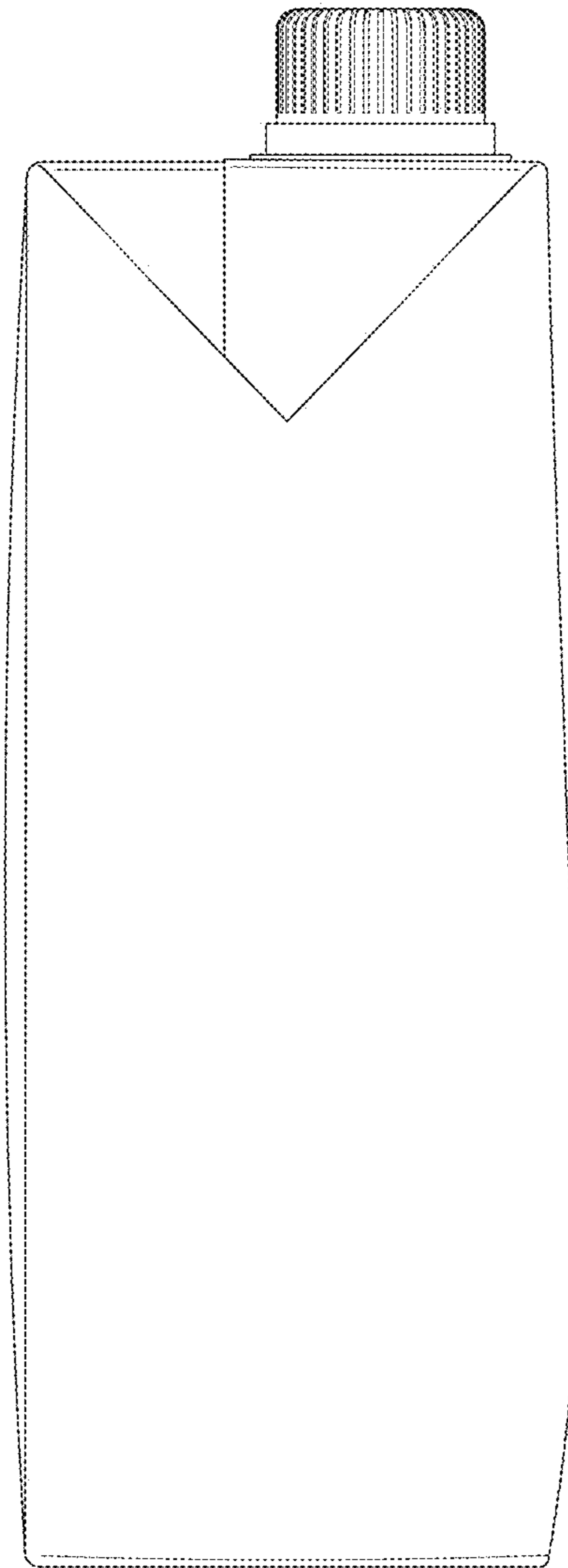


FIG. 11

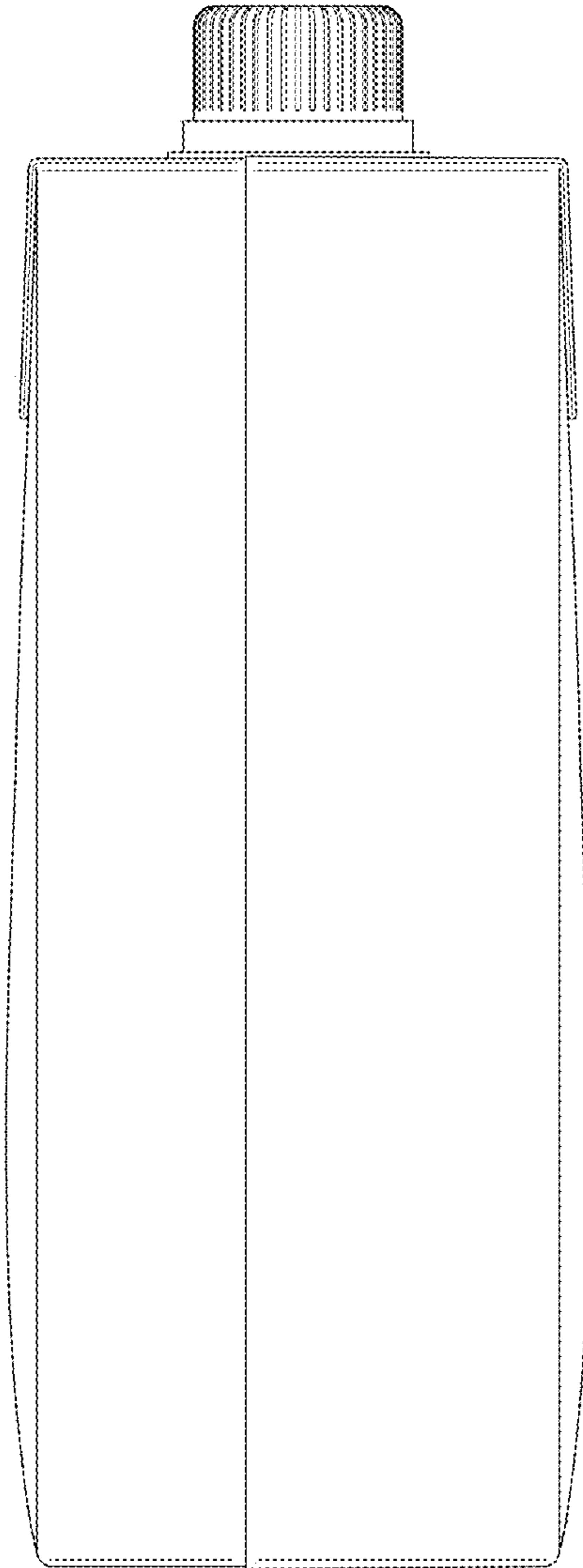


FIG. 12

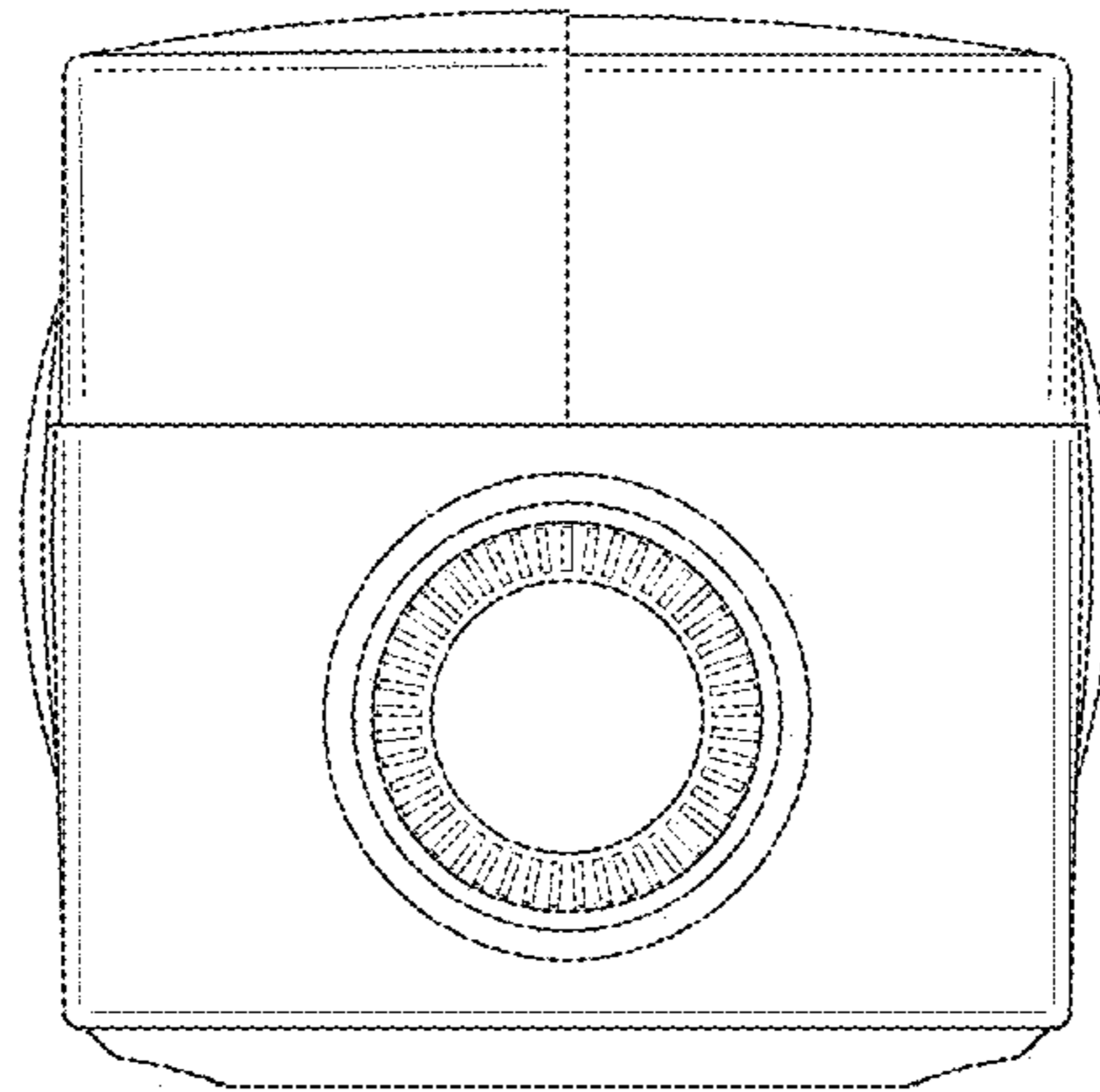


FIG. 13

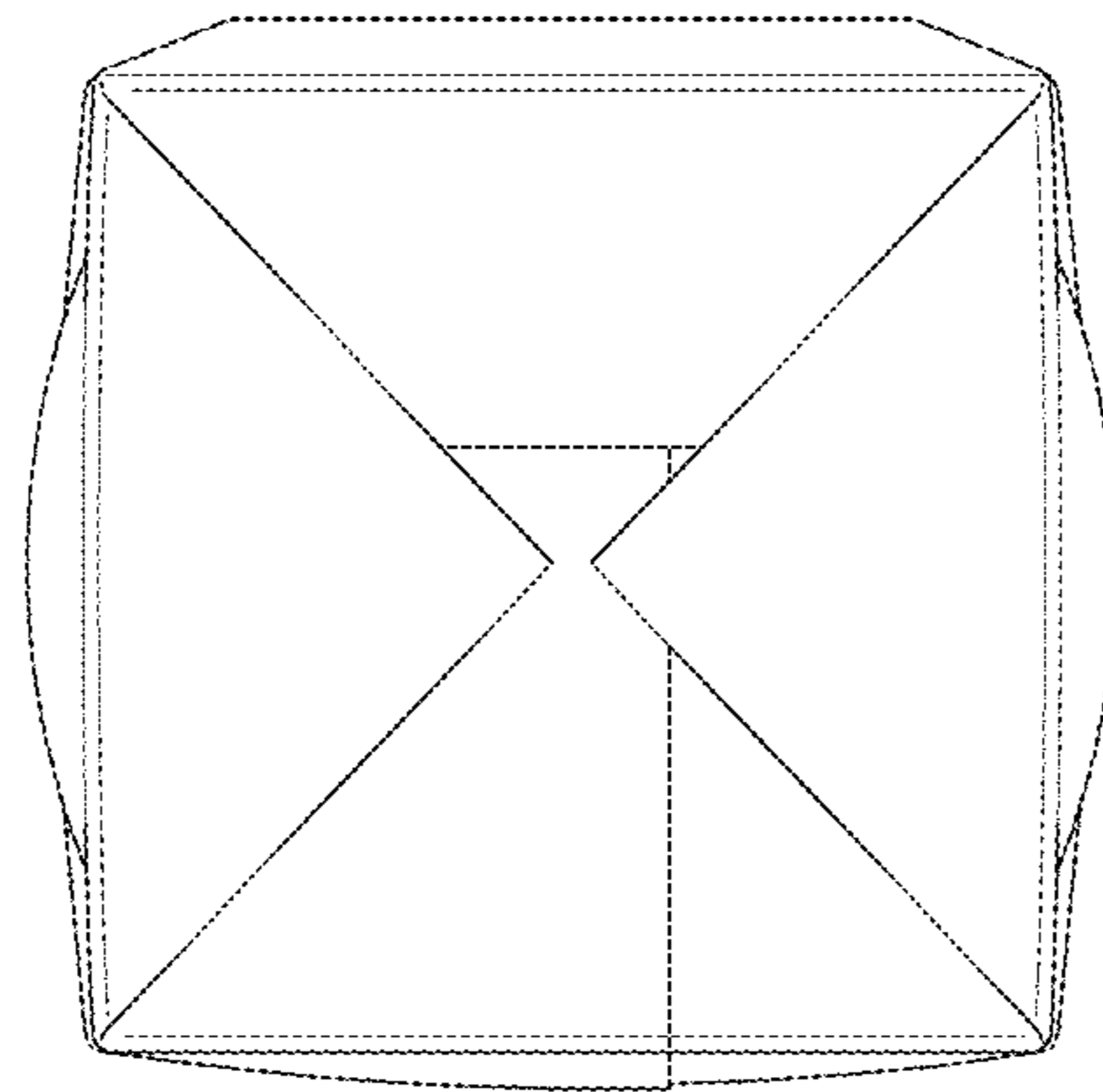


FIG. 14