



US00D748469S

(12) **United States Design Patent**
Snedden et al.

(10) **Patent No.:** **US D748,469 S**
(45) **Date of Patent:** **** Feb. 2, 2016**

(54) **TRAY ASSEMBLY**

- (71) Applicant: **Direct Pack, Inc.**, Sun Valley, CA (US)
- (72) Inventors: **Craig R. Snedden**, La Canada Flintridge, CA (US); **Leonardo Magana**, San Bernardino, CA (US); **Gandhi B. Sifuentes**, West Covina, CA (US)
- (73) Assignee: **DIRECT PACK, INC.**, Azusa, CA (US)
- (**) Term: **14 Years**

- (21) Appl. No.: **29/511,623**
- (22) Filed: **Dec. 12, 2014**
- (51) **LOC (10) Cl.** **09-03**
- (52) **U.S. Cl.**
USPC **D9/425**

- (58) **Field of Classification Search**
USPC D9/414, 415, 416, 417, 418, 419, 420, D9/421, 422, 423, 424, 425, 426, 427, 428, D9/429, 431, 432, 433; D7/619.1, 629; 229/401, 406, 407, 904, 906, 909; 220/656, 657, 659, 662, 665, 669-675, 220/912, 915.1, 4.21-4.25; 206/139, 214, 206/217, 431, 528, 530, 538, 541, 553, 557
CPC A47G 21/14; A47J 47/14; B65D 1/22; B65D 1/34; B65D 1/36; B65D 1/40; B65D 1/46; B65D 21/083; B65D 21/0234; B65D 43/162; B65D 77/245; B65D 2543/00092; B65D 2543/00101; B65D 2543/00296; B65D 3/28; B65D 5/4204; B65D 7/46; B65D 85/12; B65D 85/34; B21D 51/2646; A45C 11/20

See application file for complete search history.

(56) **References Cited**

U.S. PATENT DOCUMENTS

3,795,360	A *	3/1974	Bianchi	B65D 43/0212
				D43/212
D338,402	S *	8/1993	Gregerson	D9/418
5,366,073	A *	11/1994	Turrentine	G11B 33/0422
				206/308.1
D384,580	S *	10/1997	Fernandes	D6/407
D475,919	S *	6/2003	Choffez	D9/432
D605,033	S *	12/2009	Iacona	D9/415
D627,218	S *	11/2010	Golota	D9/424
D628,478	S *	12/2010	Snedden	D9/431
D640,550	S *	6/2011	Snedden	D9/425
D646,969	S *	10/2011	Snedden	D9/425

(Continued)

OTHER PUBLICATIONS

U.S. Appl. No. 29/501,826, filed Sep. 9, 2014.

(Continued)

Primary Examiner — Karen S Acker
Assistant Examiner — Wendy Arminio
 (74) *Attorney, Agent, or Firm* — Frost Brown Todd LLC

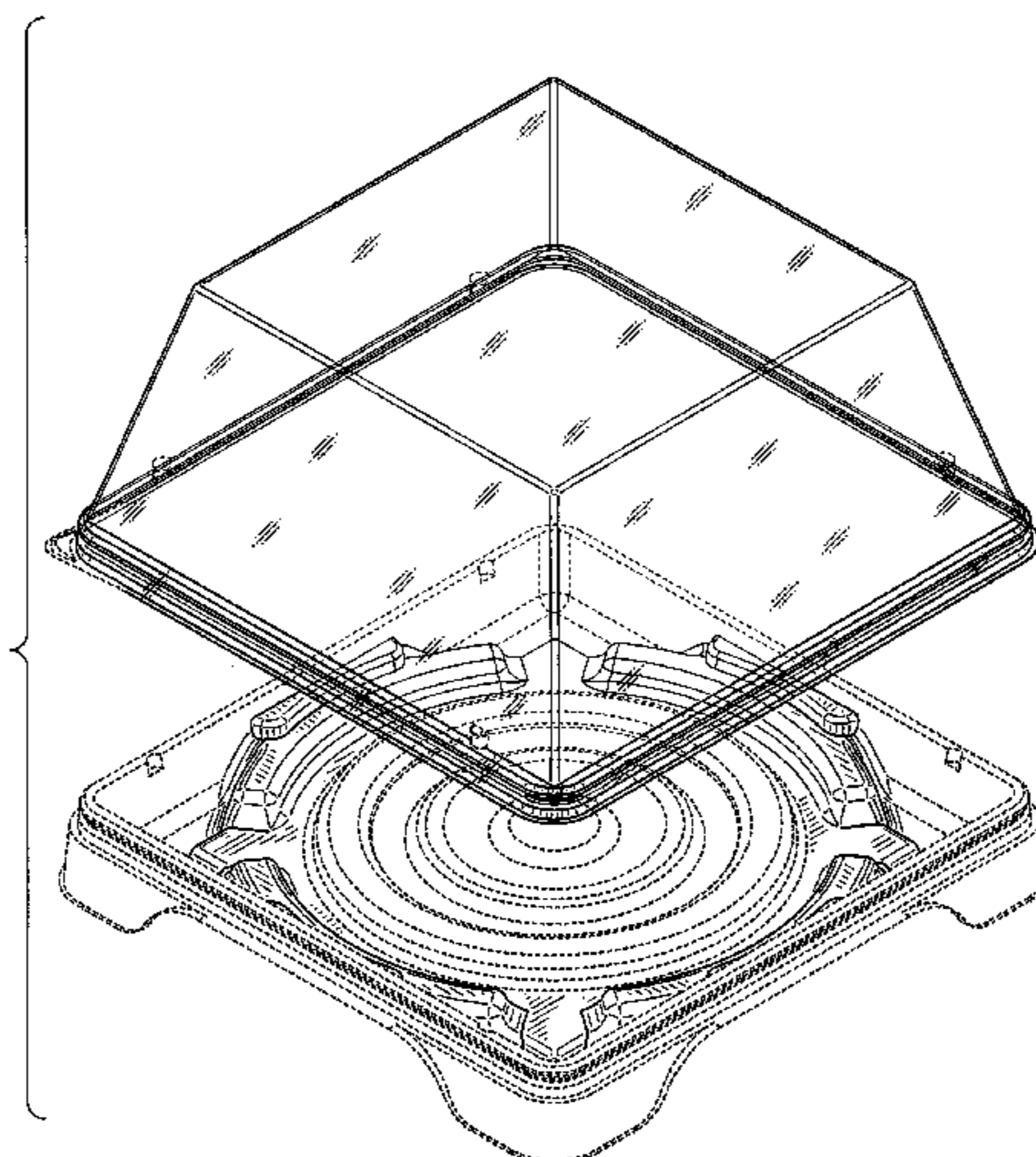
(57) **CLAIM**

The ornamental design for a tray assembly, as shown and described.

DESCRIPTION

FIG. 1 is a top perspective exploded view of a tray assembly revealing the top side of the lid and tray, showing our new design;
 FIG. 2 is a left elevational view thereof;
 FIG. 3 is a right elevational view thereof;
 FIG. 4 is a front elevational view thereof;
 FIG. 5 is a back elevational view thereof;
 FIG. 6 is a top plan view of the lid;
 FIG. 7 is a bottom plan view of the lid;
 FIG. 8 is a top plan view of the tray; and,
 FIG. 9 is a bottom plan view thereof.
 The broken lines shown in the drawings depicting protrusions, recesses and other features illustrate environment that forms no part of the claimed design.

1 Claim, 9 Drawing Sheets



(56)

References Cited

OTHER PUBLICATIONS

U.S. PATENT DOCUMENTS

D682,676 S * 5/2013 Wintolders D9/431
D692,751 S * 11/2013 Mastronardi D9/427
D695,109 S * 12/2013 Liu D9/427

U.S. Appl. No. 29/501,829, filed Sep. 9, 2014.

* cited by examiner

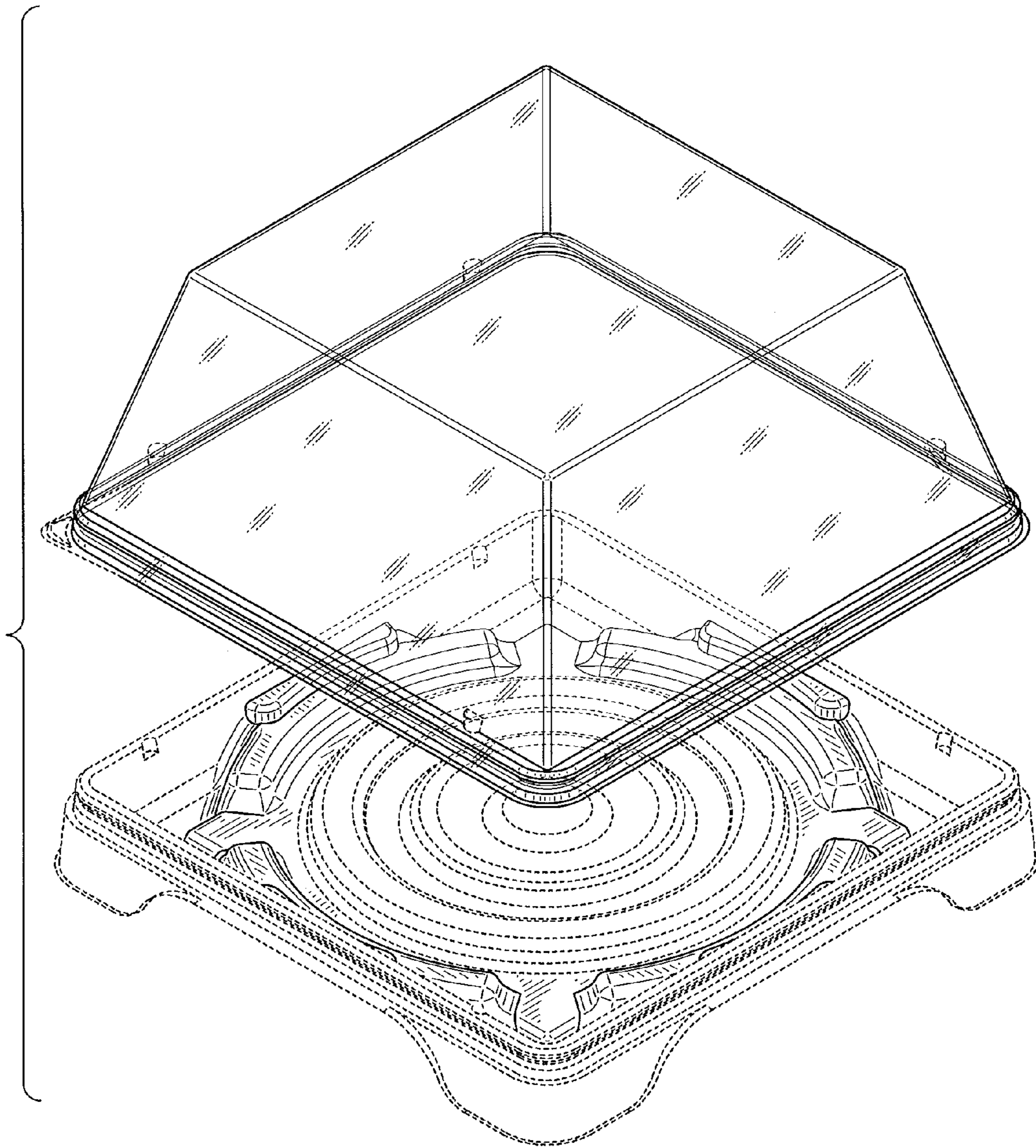


FIG. 1

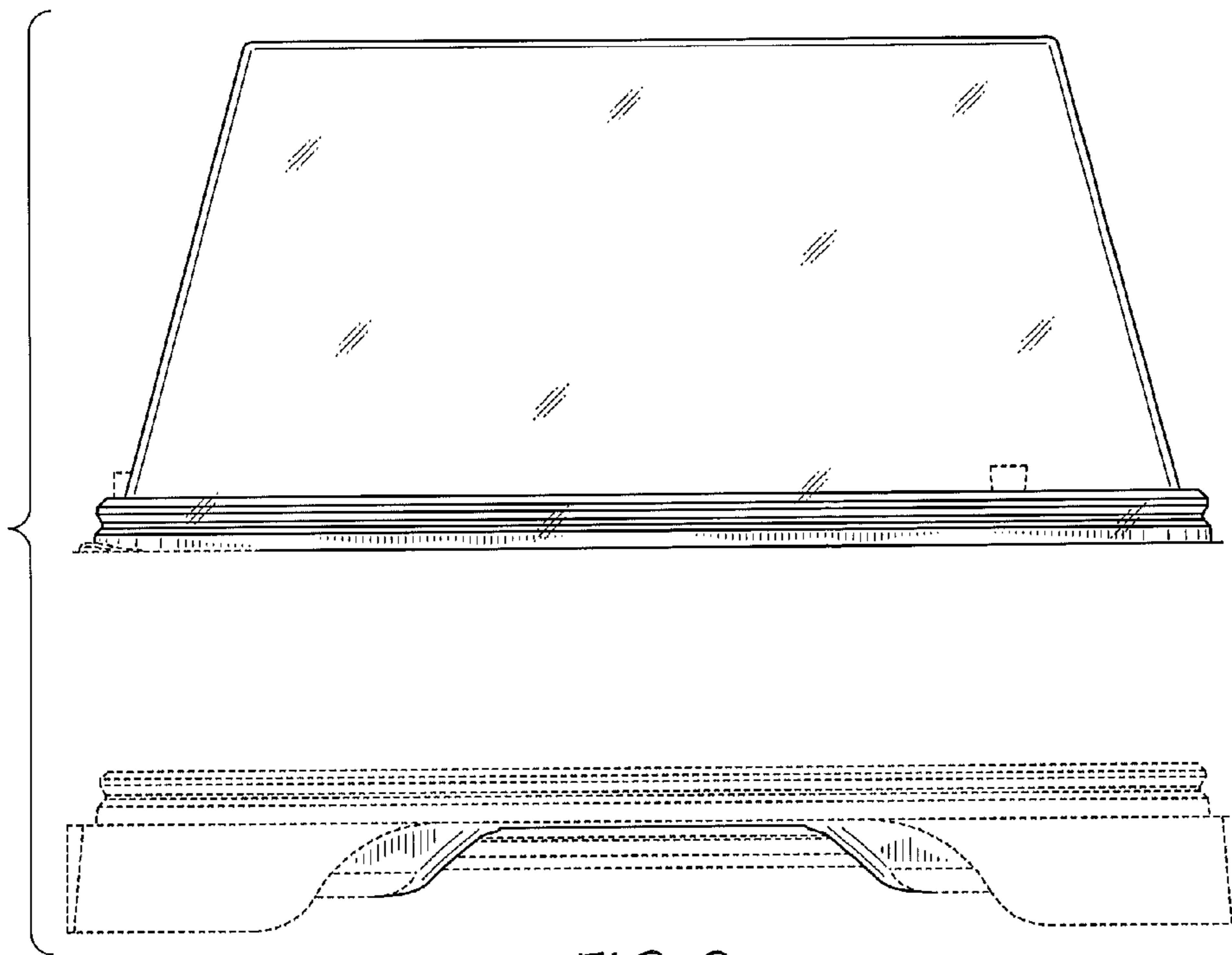


FIG. 2

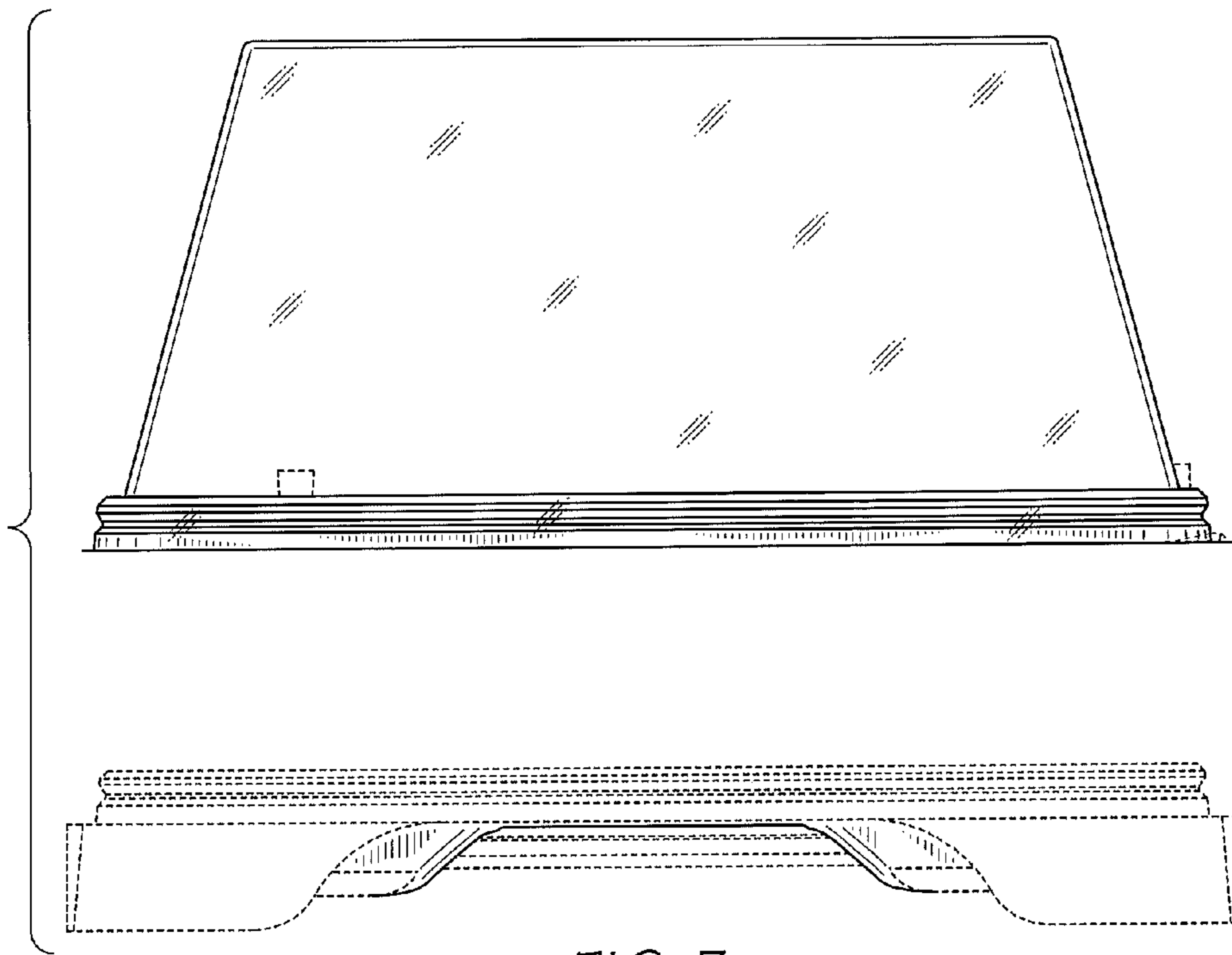


FIG. 3

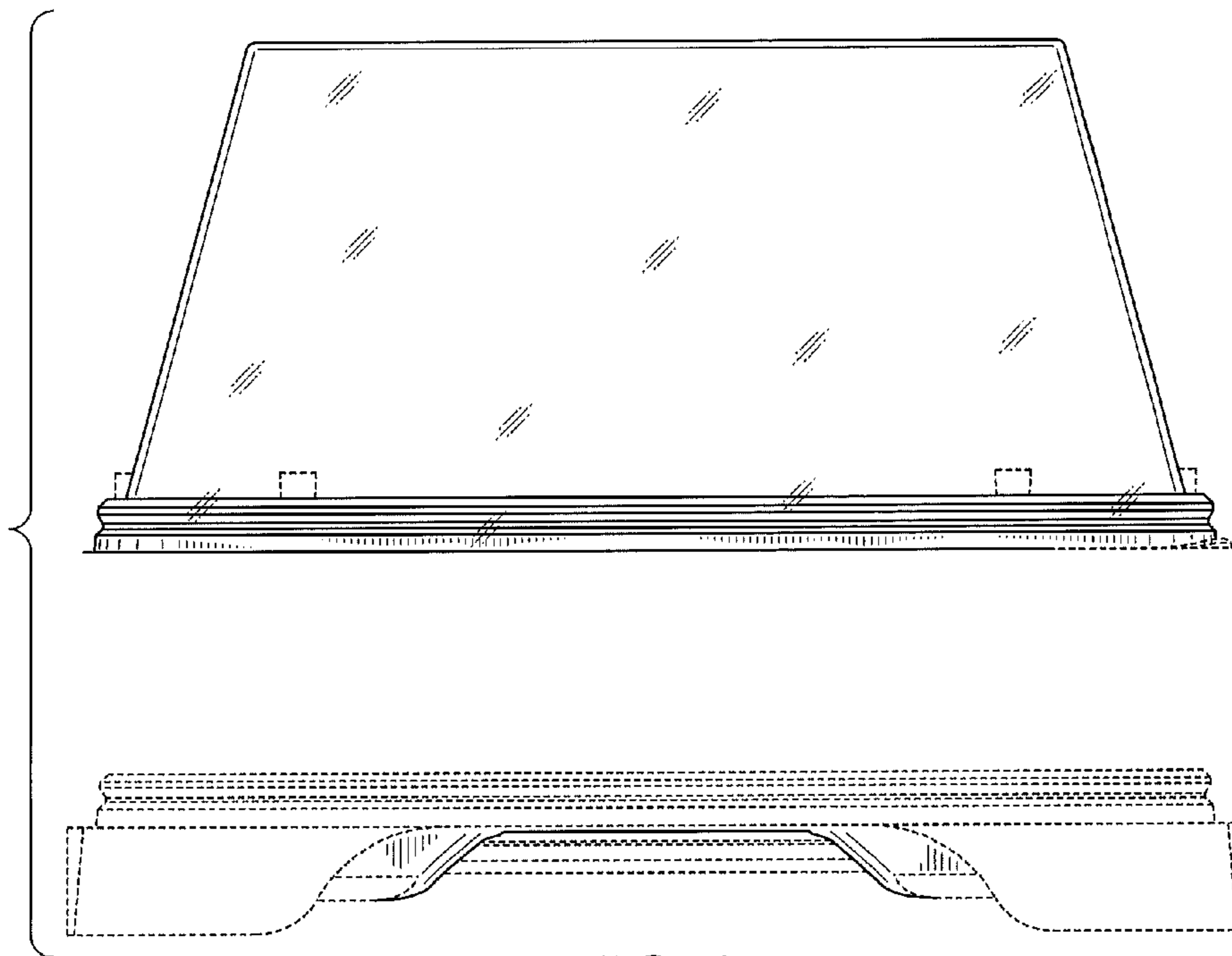


FIG. 4

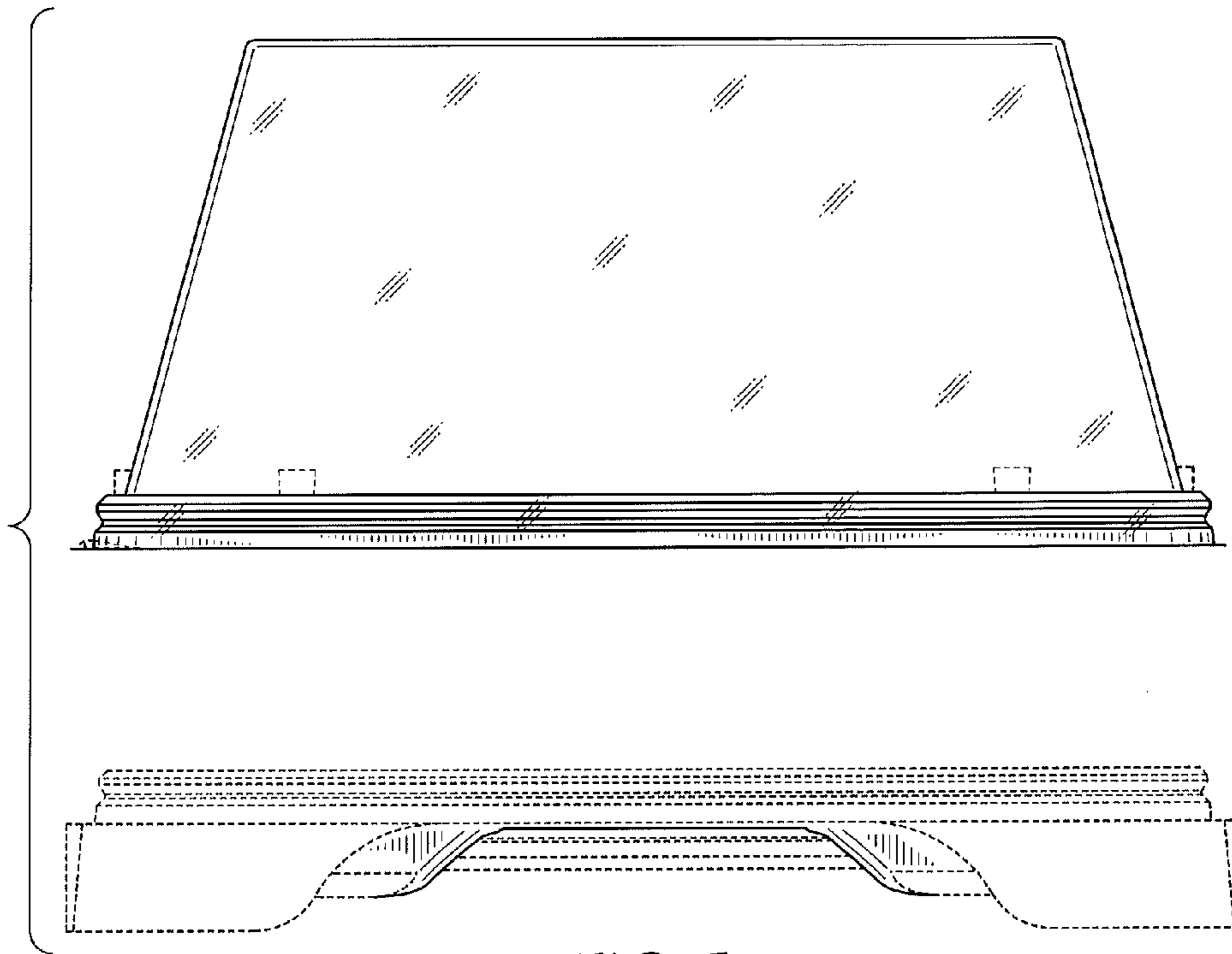


FIG. 5

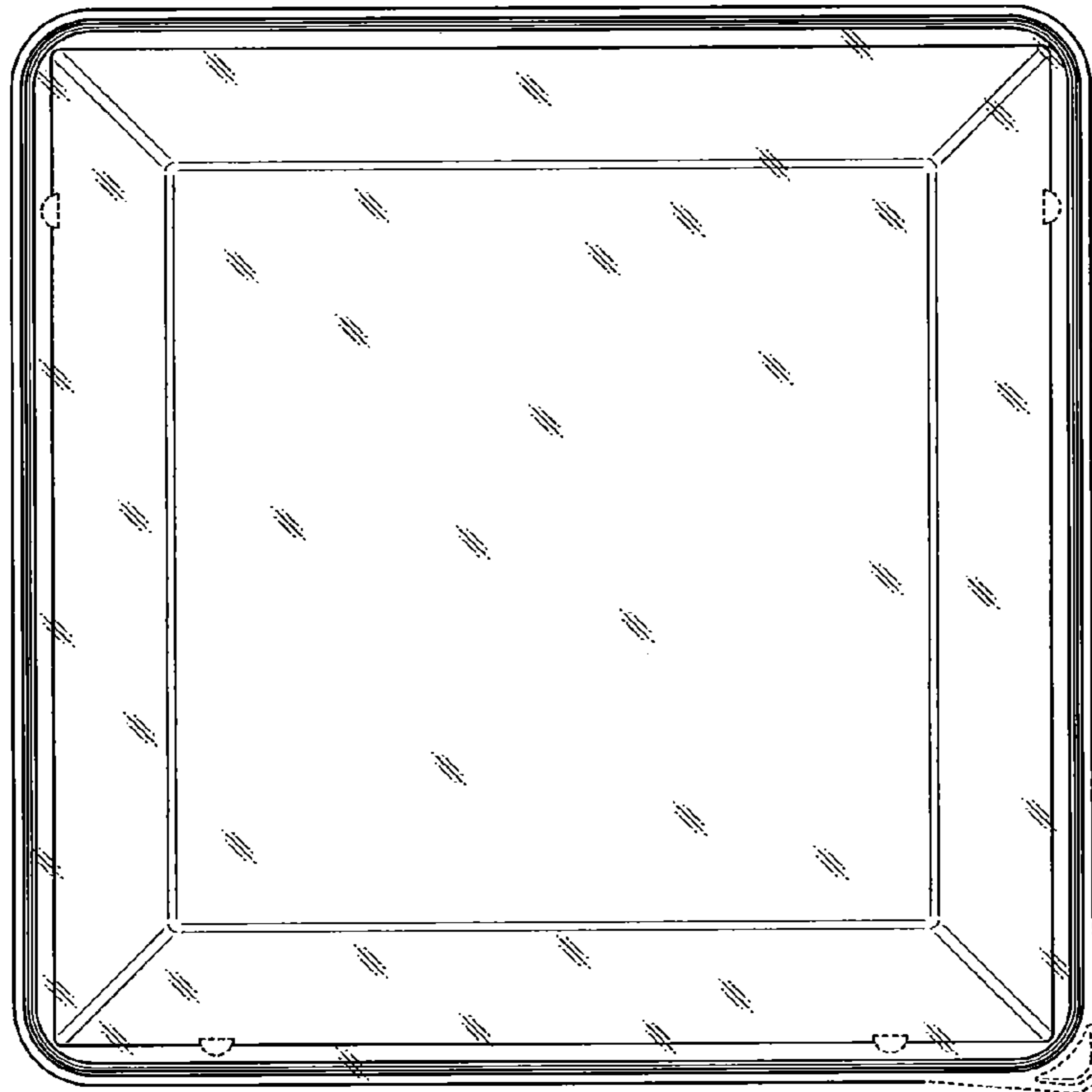


FIG. 6

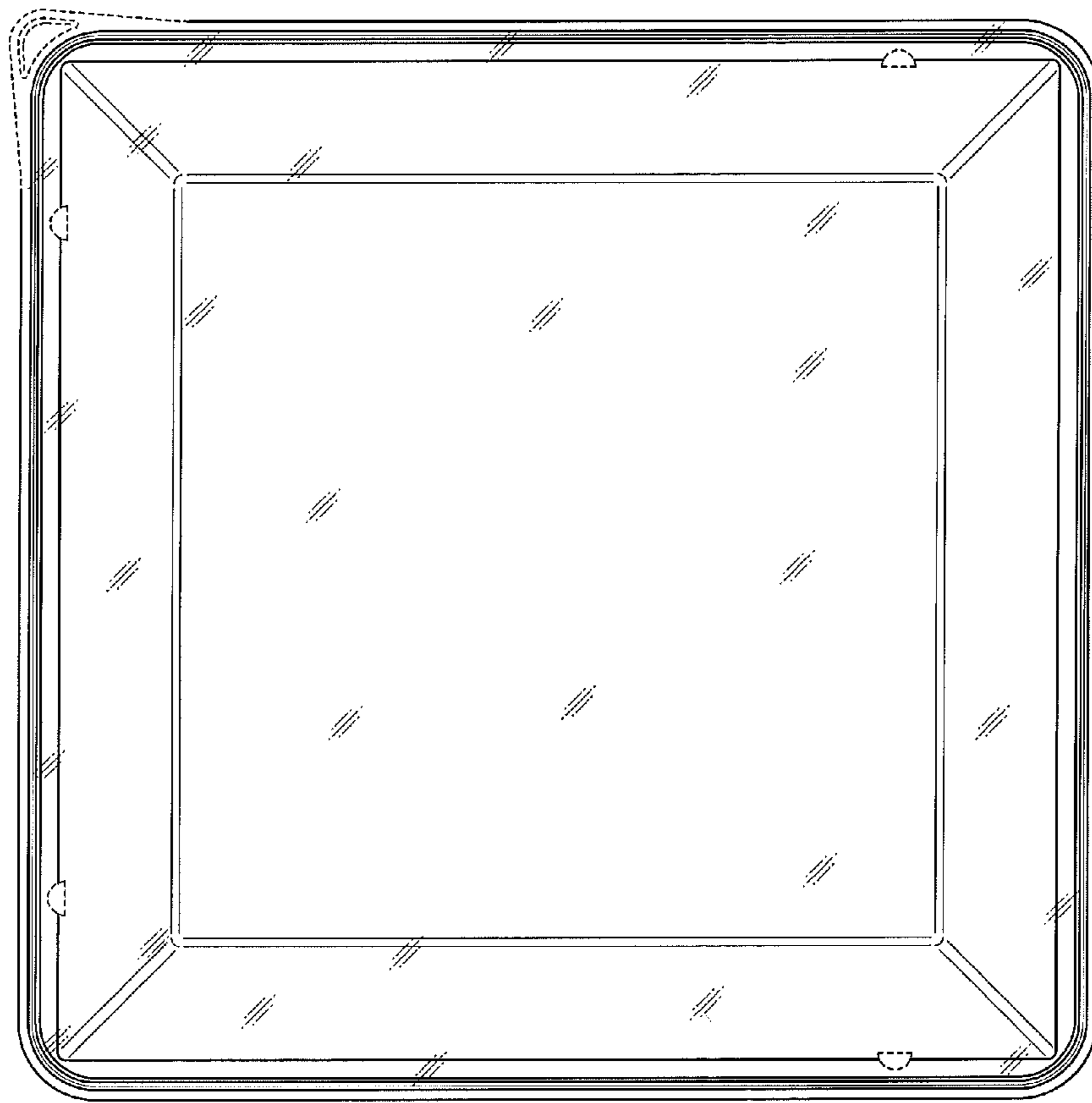


FIG. 7

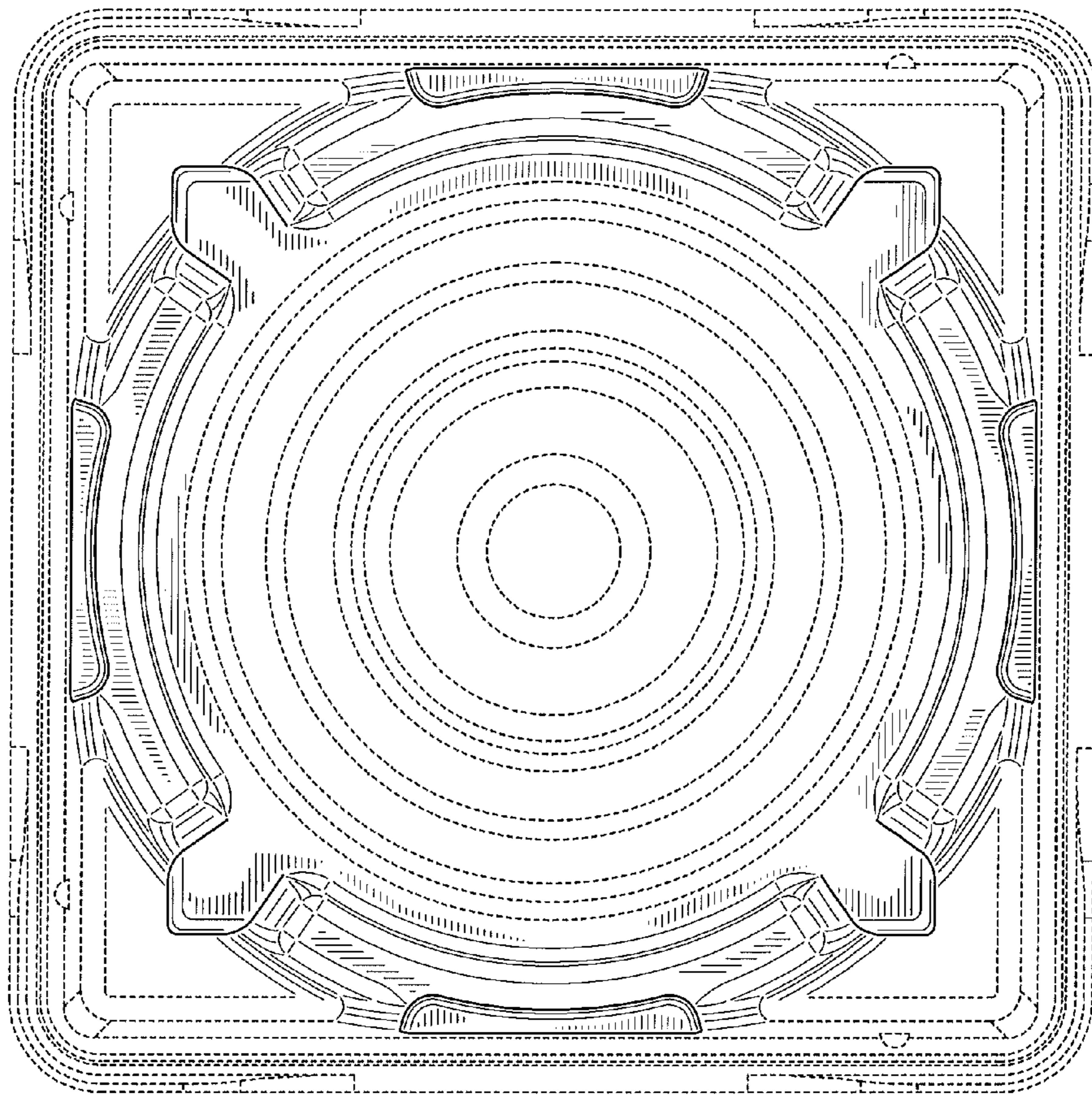


FIG. 8

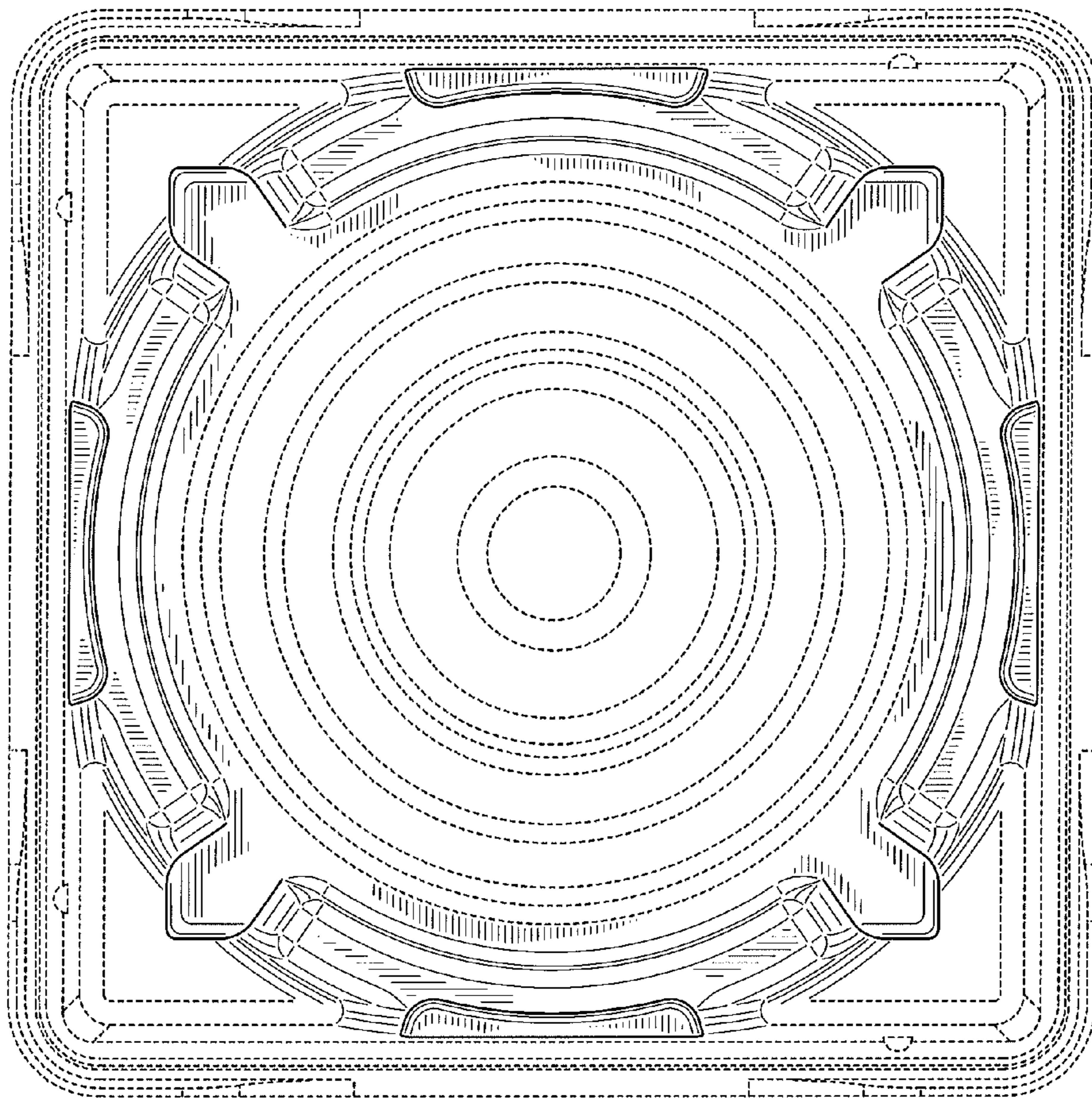


FIG. 9