



US00D748468S

(12) **United States Design Patent**
Angeloni et al.

(10) **Patent No.:** **US D748,468 S**

(45) **Date of Patent:** **** Feb. 2, 2016**

(54) **HARD SHELL, MULTI-ARTICLE,
RECLOSABLE PACKAGING**

(71) Applicant: **Wm. Wrigley Jr. Company**, Chicago, IL (US)

(72) Inventors: **Paul J. Angeloni**, Chicago, IL (US); **Christopher H. Cunningham**, Grays Lake, IL (US); **Allen S. Aldridge**, Addison, IL (US); **Peter Muller**, Chicago, IL (US); **William Tham**, Palatine, IL (US); **David Jaggi**, Oak Park, IL (US)

(73) Assignee: **WM. WRIGLEY JR. COMPANY**, Chicago, IL (US)

(**) Term: **14 Years**

(21) Appl. No.: **29/508,130**

(22) Filed: **Nov. 3, 2014**

(51) **LOC (10) Cl.** **09-03**

(52) **U.S. Cl.**
USPC **D9/420**

(58) **Field of Classification Search**

USPC D9/414, 415, 416, 418, 419, 420, 421, D9/422, 423, 424, 425, 429, 432, 433, 572, D9/569, 567, 761, 711, 713; 229/87.07, 229/87.5, 92.7, 71, 76, 226; 206/63.5, 800
CPC B65D 5/5425; B65D 71/0085; B65D 75/5838; B65D 75/68; B65D 77/02; B65D 5/2057; B65D 5/4204; B65D 17/506; B65D 2543/00046; B65D 2543/00296; B65D 51/18

See application file for complete search history.

(56) **References Cited**

U.S. PATENT DOCUMENTS

D271,431 S * 11/1983 Seelig D28/66
D406,496 S * 3/1999 Medina D7/629
D407,973 S * 4/1999 Miller et al. D9/423

(Continued)

Primary Examiner — Philip S Hyder

Assistant Examiner — Keith Frank

(74) *Attorney, Agent, or Firm* — Armstrong Teasdale LLP

(57) **CLAIM**

We claim the ornamental design for a hard shell, multi-article, reclosable packaging, as substantially shown and described.

DESCRIPTION

FIG. 1 is a front perspective view of a hard shell, multi-article, reclosable packaging in accordance with the present design. The reclosable packaging is adapted to contain multiple articles of a consumable product such as chewing gum. The packaging includes a base enclosure and a reclosable lid shown in FIG. 1 in an opened position.

FIG. 2 is a front elevational view of the reclosable packaging shown in FIG. 1.

FIG. 3 is a top view of the reclosable packaging shown in FIG. 1. Features disclaimed with broken lines in FIG. 3 indicate structure which forms no part of the claimed design.

FIG. 4 is a right side elevational view of the reclosable packaging shown in FIG. 1.

The left side elevational view of the reclosable packaging shown in FIG. 1 is the mirror image of FIG. 4.

FIG. 5 is a rear elevational view of the reclosable packaging shown in FIG. 1.

FIG. 6 is another top front perspective view of the reclosable packaging shown in FIG. 1 in accordance with the present design, but with the reclosable lid being shown in a closed position.

FIG. 7 is a front elevational view of the reclosable packaging shown in FIG. 6.

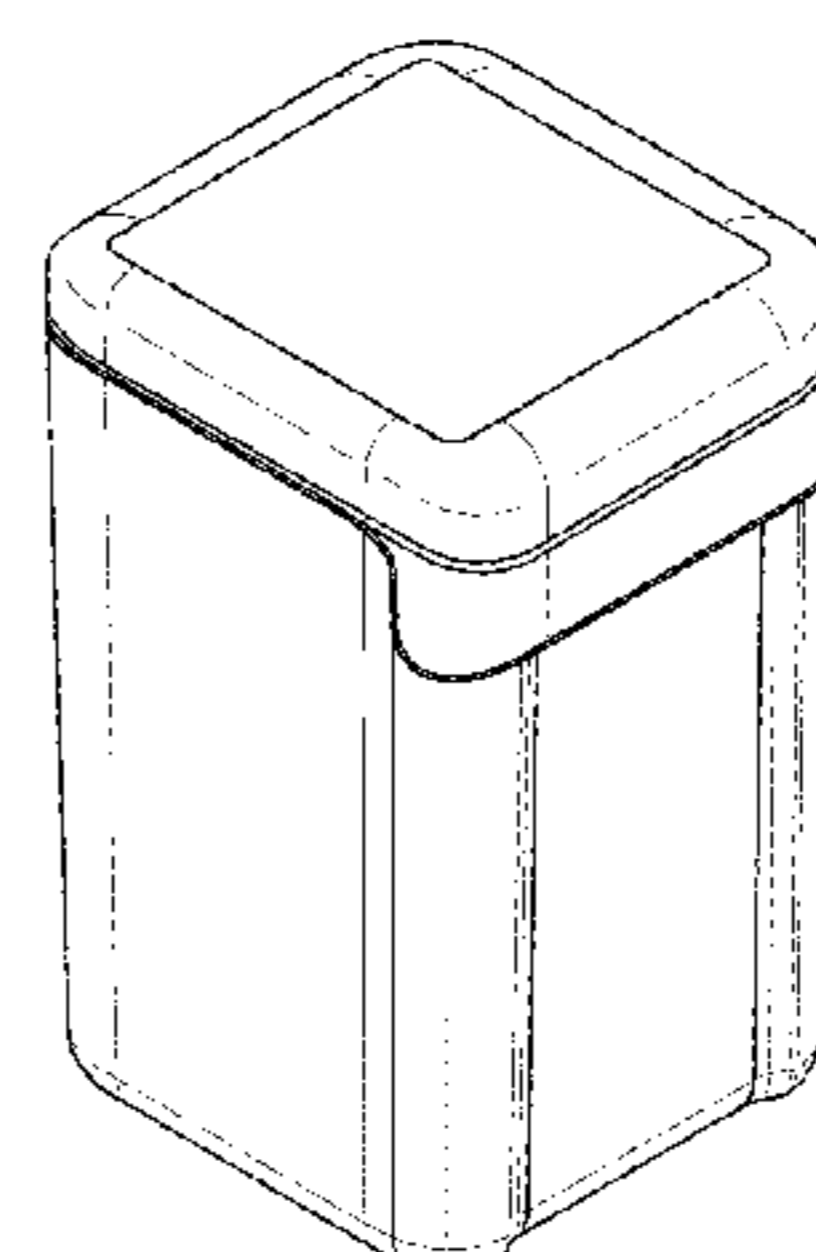
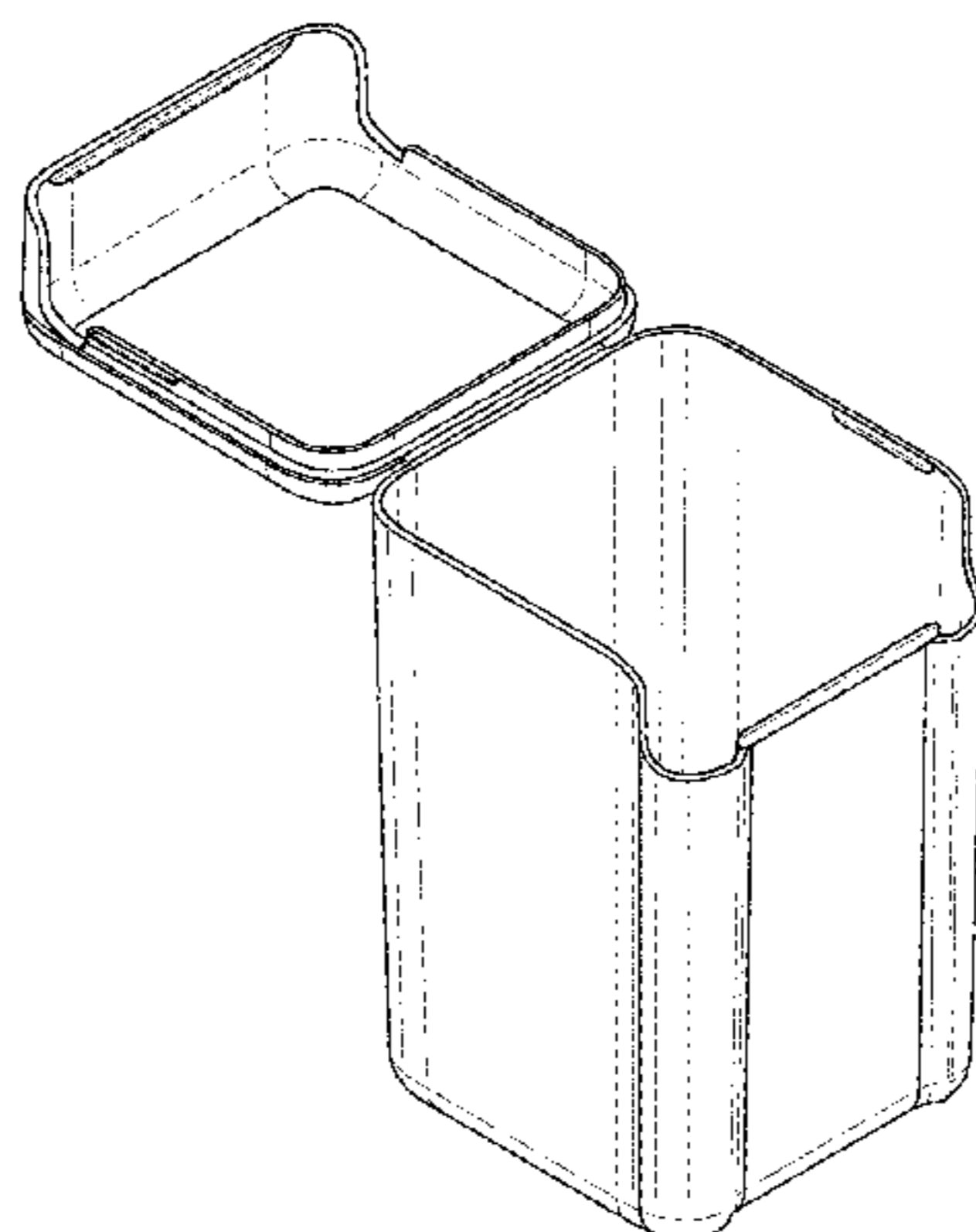
FIG. 8 is a top view of the reclosable packaging shown in FIG. 6.

FIG. 9 is a right side elevational view of the reclosable packaging shown in FIG. 6; and,

The left side elevational view of the reclosable packaging shown in FIG. 6 is the mirror image of FIG. 9.

FIG. 10 is a rear elevational view of the reclosable packaging shown in FIG. 6.

1 Claim, 5 Drawing Sheets



(56)

References Cited

U.S. PATENT DOCUMENTS

D408,588 S * 4/1999 Zorovich D28/66
D423,721 S * 4/2000 Tolentino et al. D28/66
D449,782 S * 10/2001 Diaz D7/629
D471,804 S * 3/2003 Staples D9/782

D481,942 S * 11/2003 Elgebrant D9/424
D531,905 S * 11/2006 Day D9/522
D571,197 S * 6/2008 Sanfilippo et al. D9/420
D592,966 S * 5/2009 Nissen D9/560
D676,315 S * 2/2013 Widdison D9/420
2012/0018438 A1 * 1/2012 Widdison 220/663

* cited by examiner

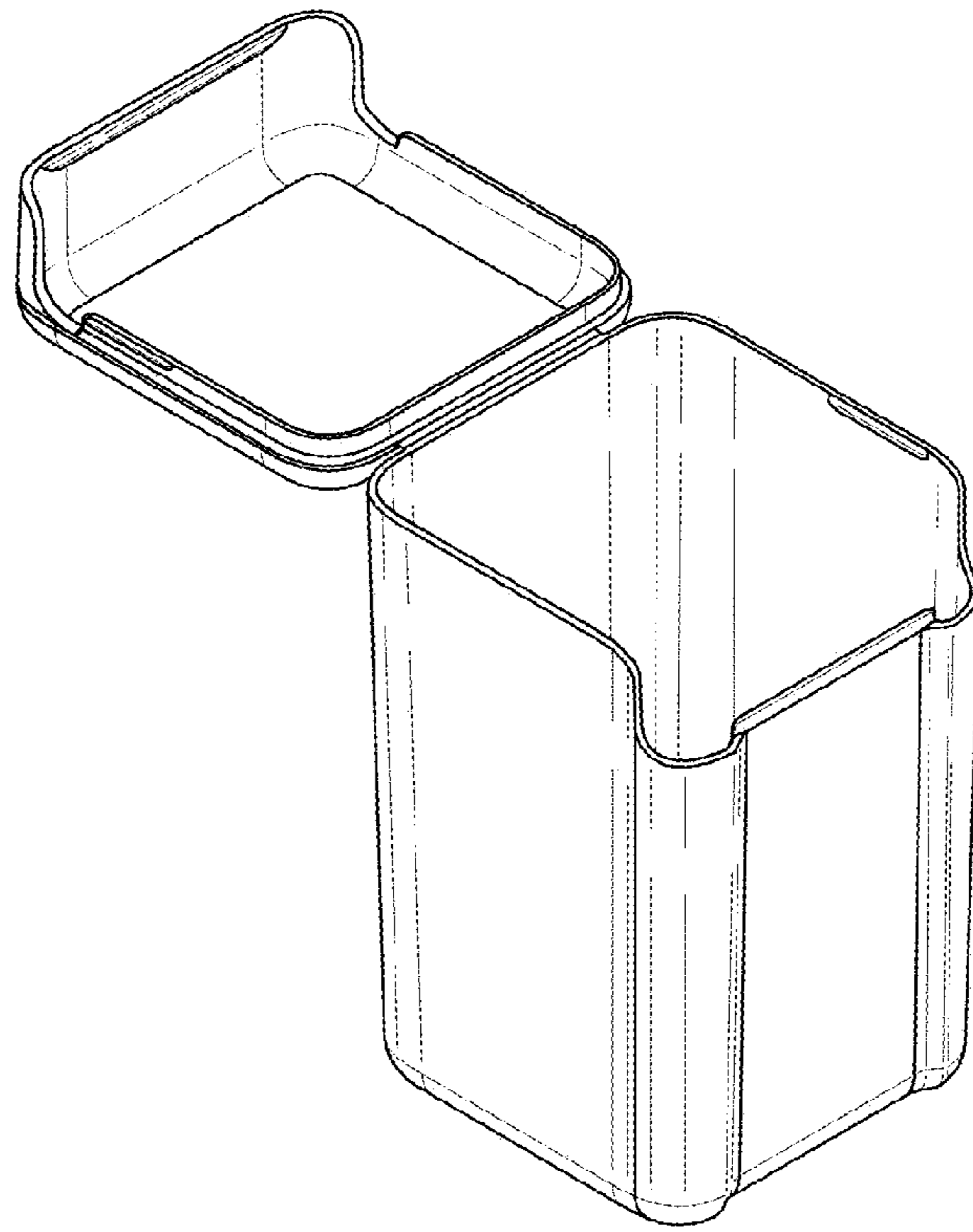


FIG. 1

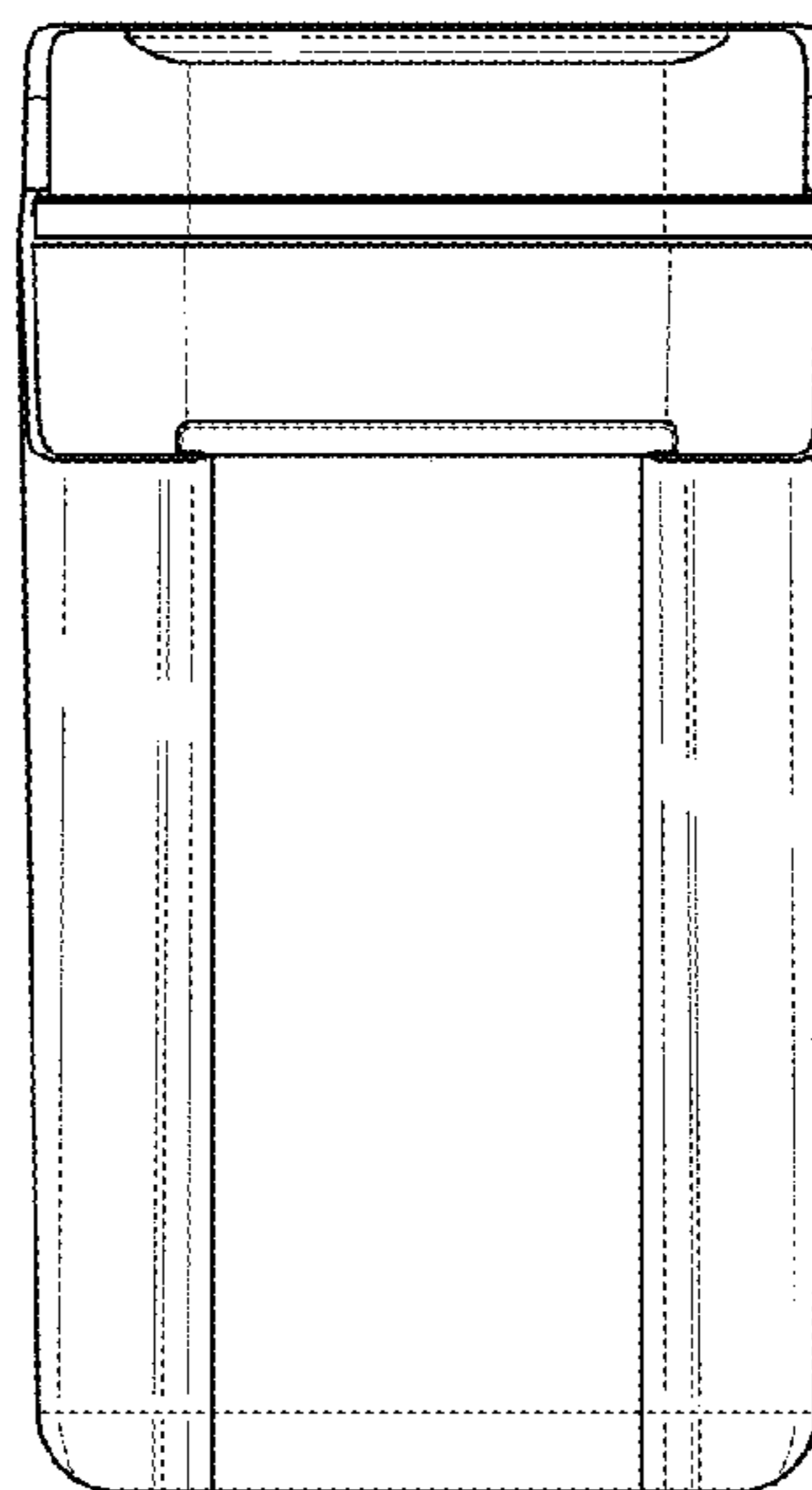


FIG. 2

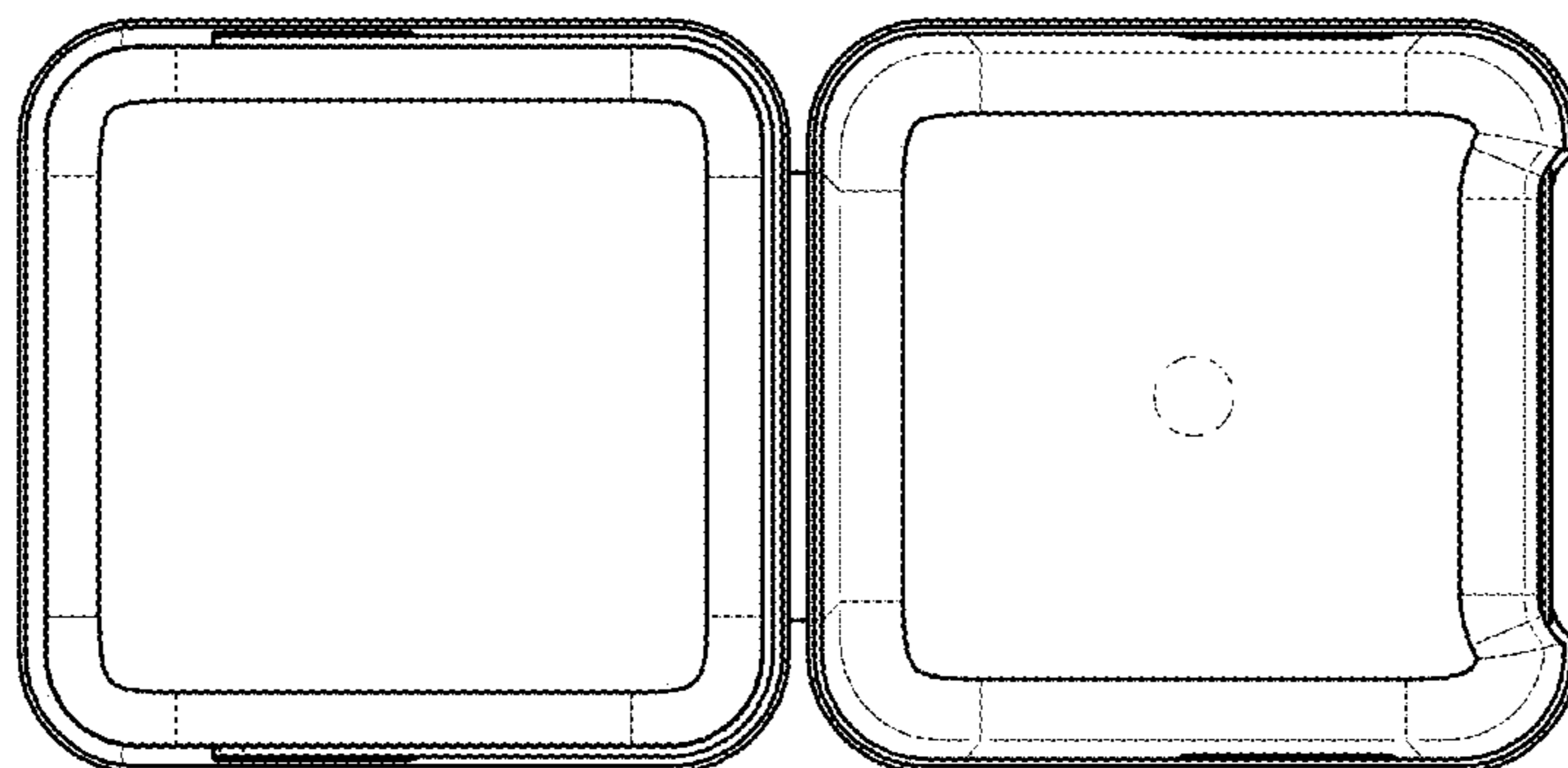


FIG. 3

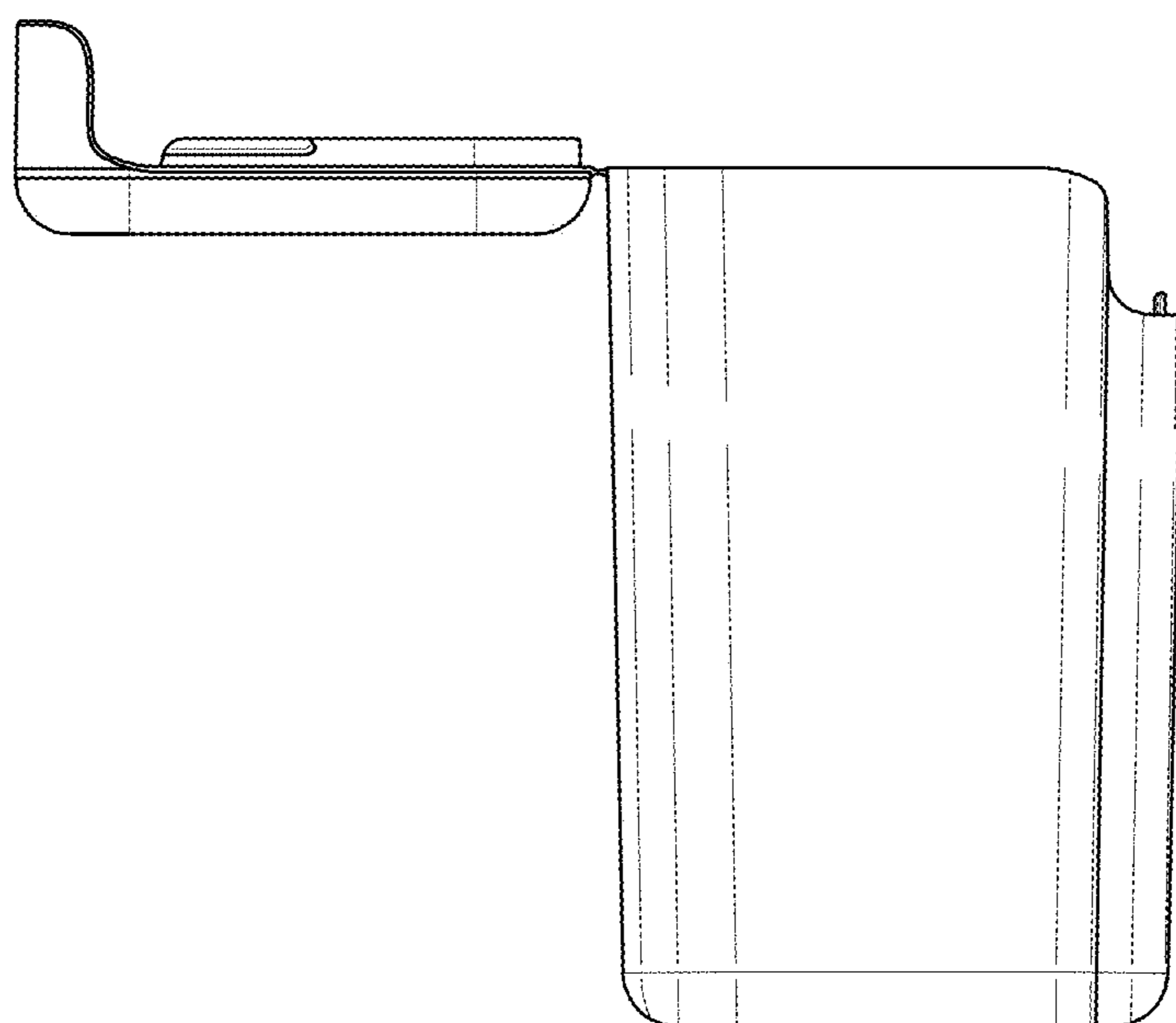


FIG. 4

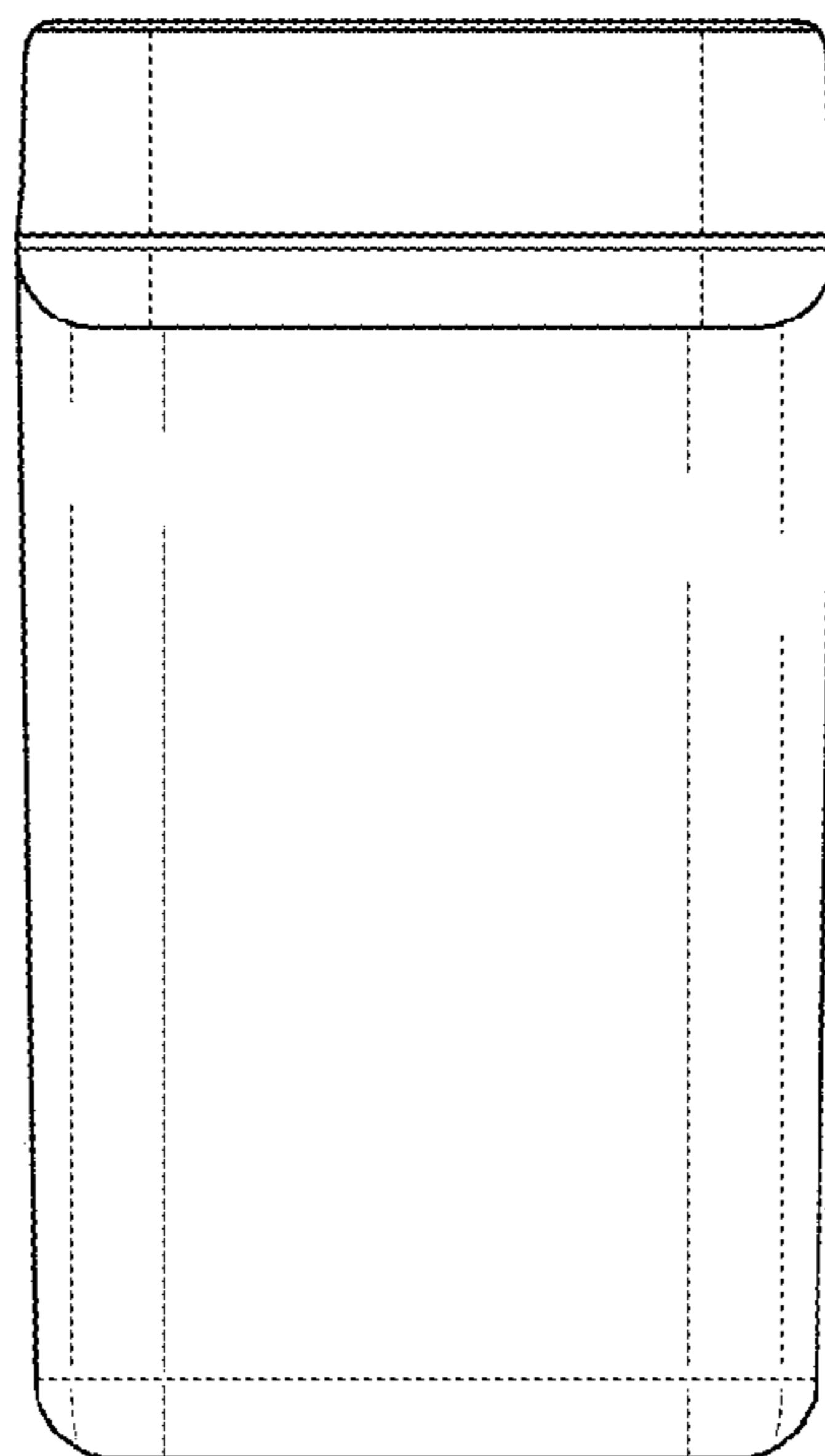


FIG. 5

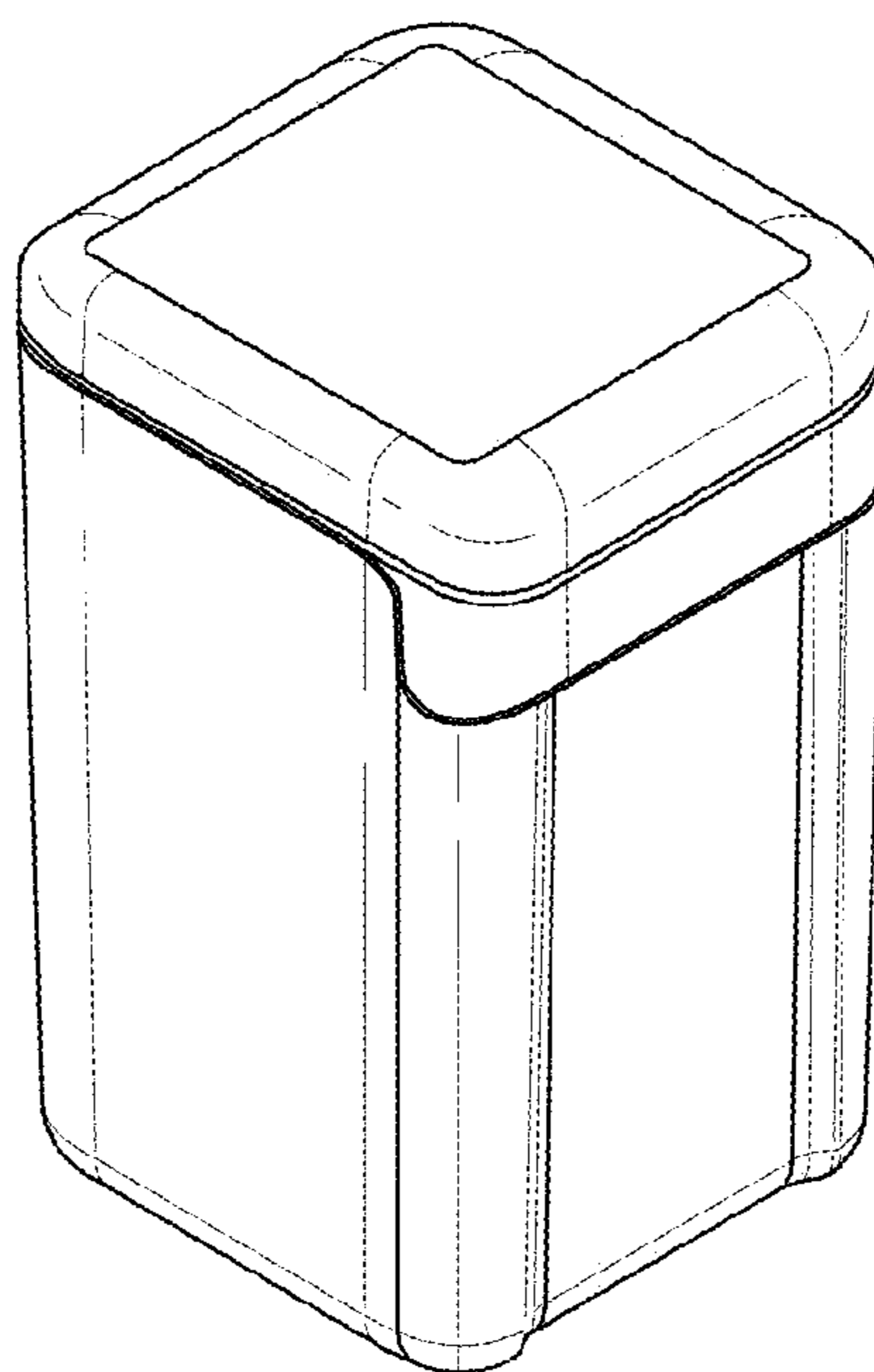


FIG. 6

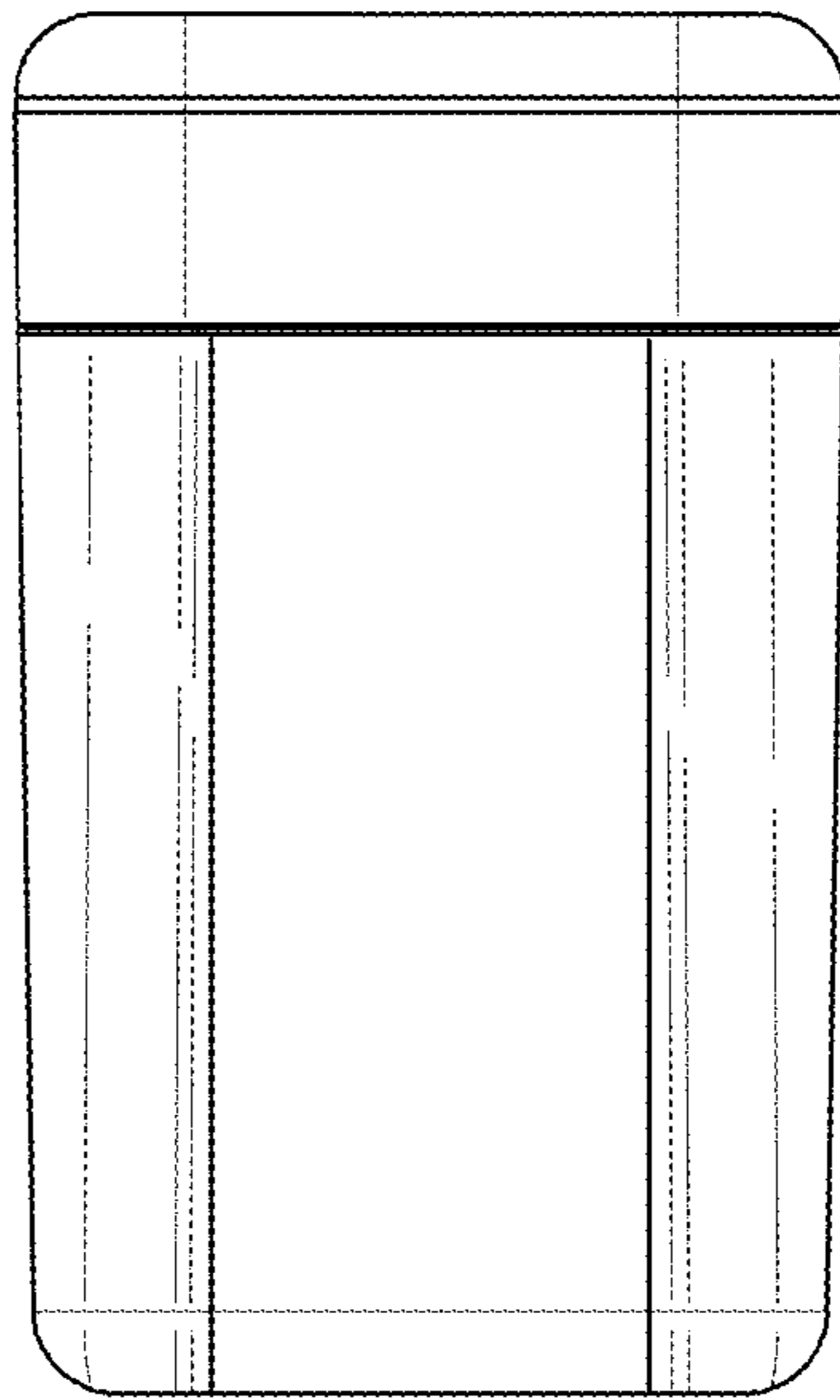


FIG. 7

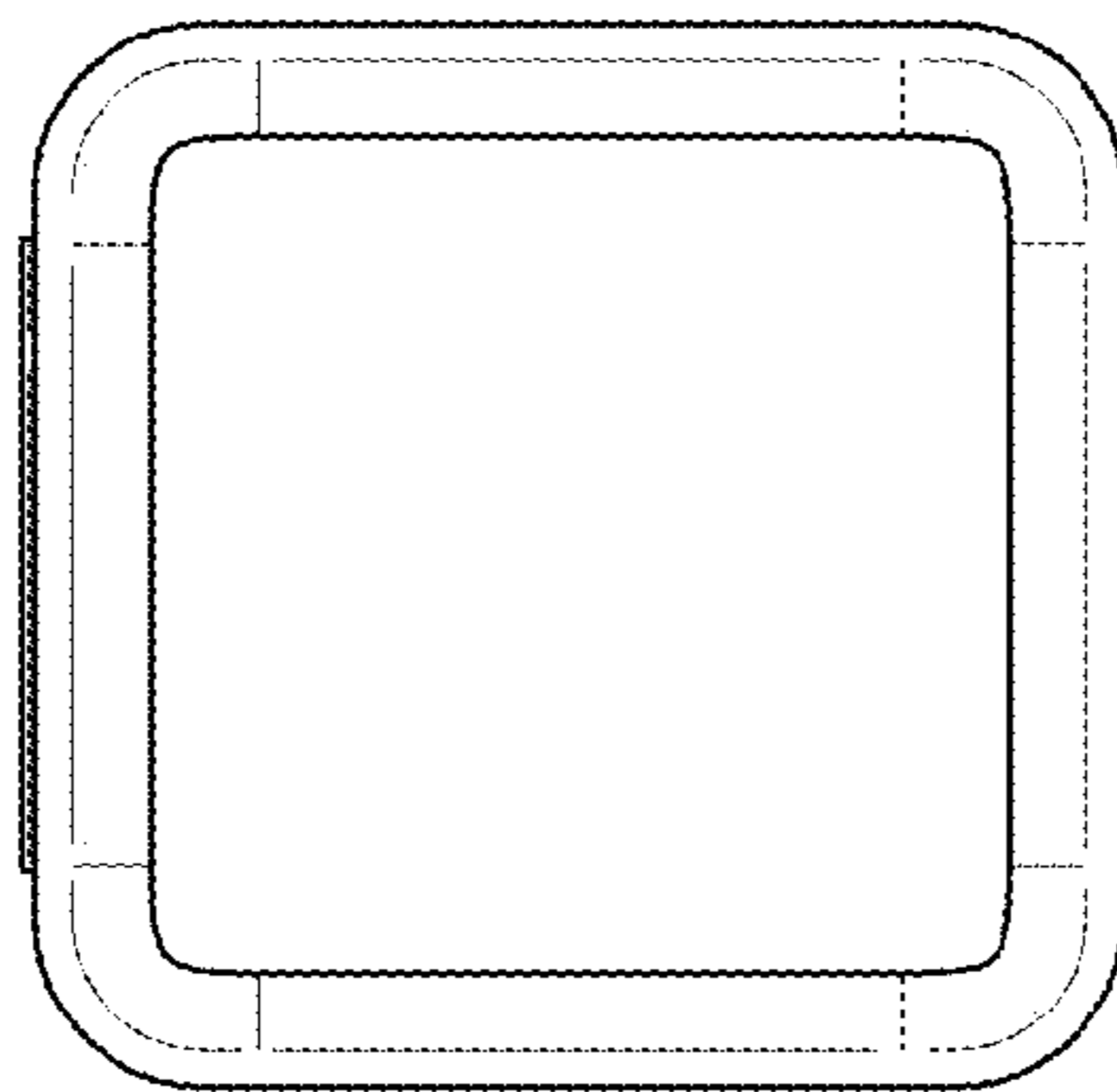


FIG. 8

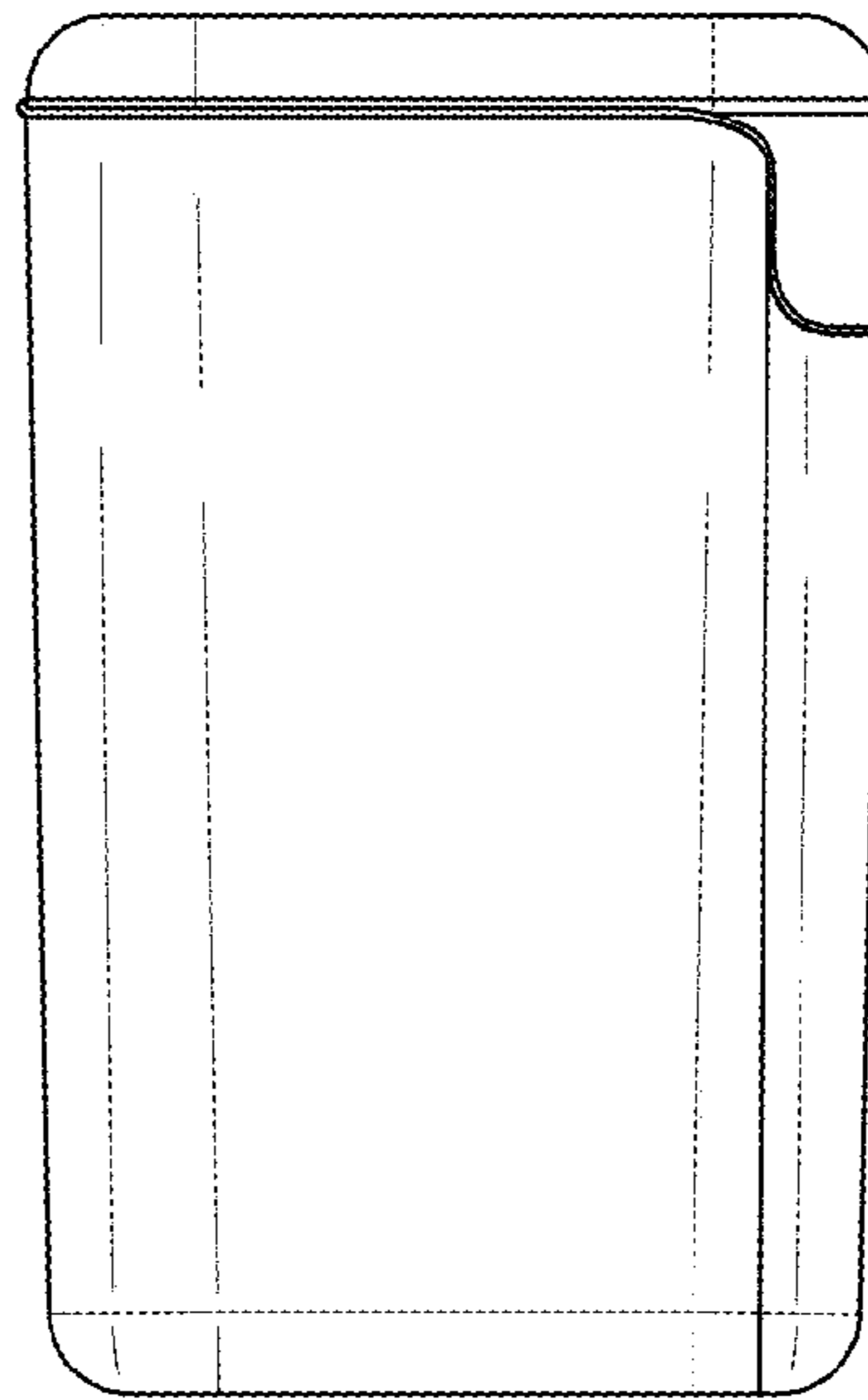


FIG. 9

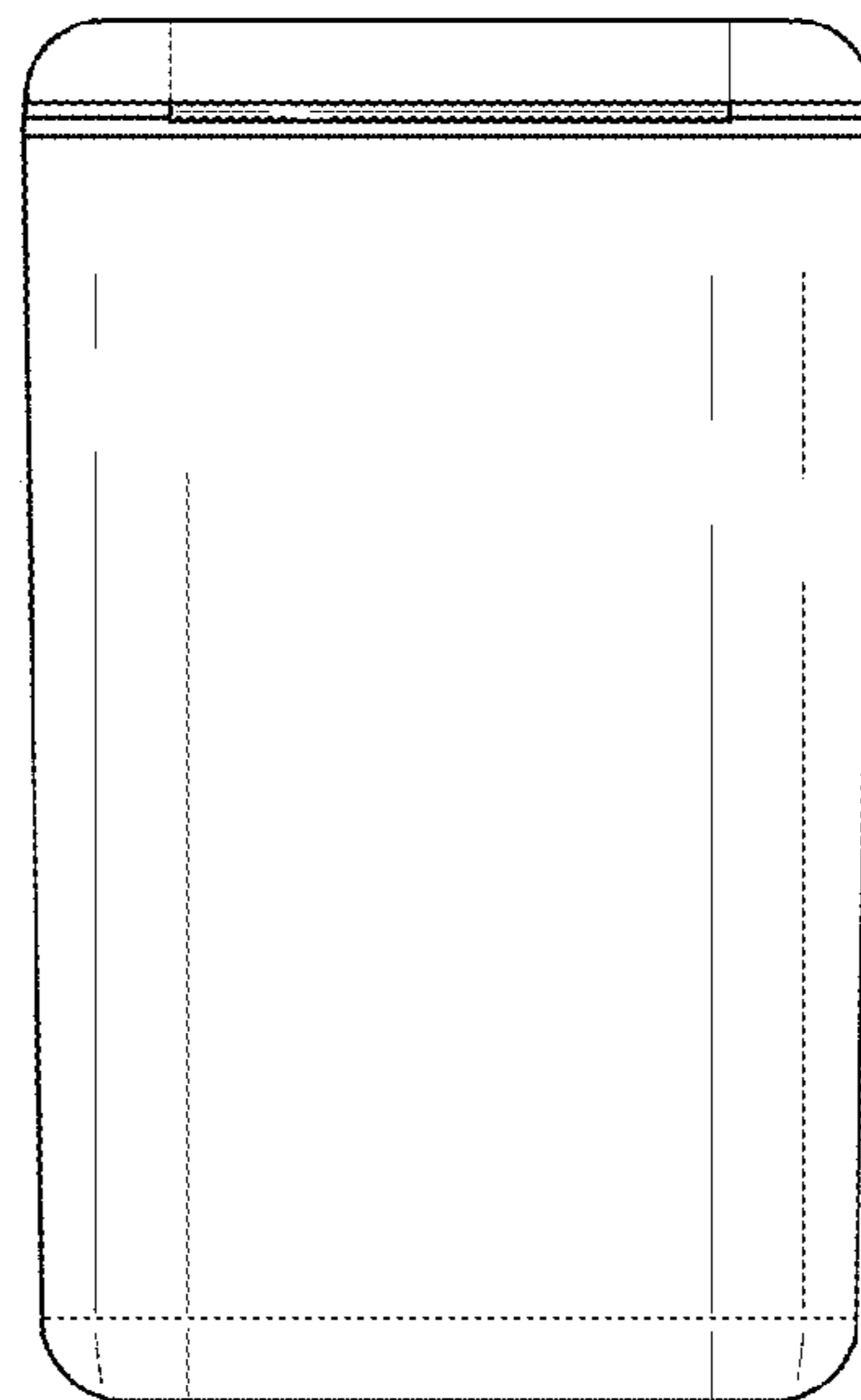


FIG. 10