



US00D748467S

(12) **United States Design Patent**
Angeloni et al.

(10) **Patent No.:** **US D748,467 S**

(45) **Date of Patent:** **** Feb. 2, 2016**

- (54) **HARD SHELL, MULTI-ARTICLE, RECLOSABLE PACKAGING**
- (71) Applicant: **Wm. Wrigley Jr. Company**, Chicago, IL (US)
- (72) Inventors: **Paul J. Angeloni**, Chicago, IL (US); **Christopher H. Cunningham**, Grays Lake, IL (US); **Allen S. Aldridge**, Addison, IL (US); **Peter Muller**, Chicago, IL (US); **William Tham**, Palatine, IL (US); **David Jaggi**, Oak Park, IL (US)
- (73) Assignee: **WM. WRIGLEY JR. COMPANY**, Chicago, IL (US)
- (**) Term: **14 Years**
- (21) Appl. No.: **29/508,127**
- (22) Filed: **Nov. 3, 2014**
- (51) **LOC (10) Cl.** **09-03**
- (52) **U.S. Cl.**
USPC **D9/420; D9/423**
- (58) **Field of Classification Search**
USPC D9/414, 415, 416, 418, 419, 420, 421, D9/422, 423, 424, 425, 429, 432, 433, 572, D9/569, 567, 761, 711, 713; 229/87.07, 229/87.5, 92.7, 71, 76, 226; 206/63.5, 800
CPC B65D 5/5425; B65D 71/0085; B65D 75/5838; B65D 75/68; B65D 77/02; B65D 5/2057; B65D 5/4204; B65D 17/506; B65D 2543/00046; B65D 2543/00296; B65D 51/18
See application file for complete search history.

(56) **References Cited**

U.S. PATENT DOCUMENTS

D326,339 S *	5/1992	Sherman et al.	D28/66
5,405,007 A *	4/1995	Iwahashi	206/387.1
D389,053 S *	1/1998	Sherman et al.	D28/66

(Continued)

Primary Examiner — Philip S Hyder
Assistant Examiner — Keith Frank
 (74) *Attorney, Agent, or Firm* — Armstrong Teasdale LLP

(57) **CLAIM**
 We claim the ornamental design for a hard shell, multi-article, reclosable packaging, as substantially shown and described.

DESCRIPTION

FIG. 1 is a front perspective view of a hard shell, multi-article, reclosable packaging in accordance with the present design. The reclosable packaging is adapted to contain multiple articles of a consumable product such as chewing gum. The packaging includes a base enclosure and a reclosable lid shown in FIG. 1 in an opened position.

FIG. 2 is a front elevational view of the reclosable packaging shown in FIG. 1.

FIG. 3 is a top view of the reclosable packaging shown in FIG. 1. Features disclaimed with broken lines in FIG. 3 indicate structure which forms no part of the claimed design.

FIG. 4 is a right side elevational view of the reclosable packaging shown in FIG. 1.

The left side elevational view of the reclosable packaging shown in FIG. 1 is the mirror image of FIG. 4.

FIG. 5 is a rear elevational view of the reclosable packaging shown in FIG. 1.

FIG. 6 is another top front perspective view of the reclosable packaging shown in FIG. 1 in accordance with the present design, but with the reclosable lid being shown in a closed position.

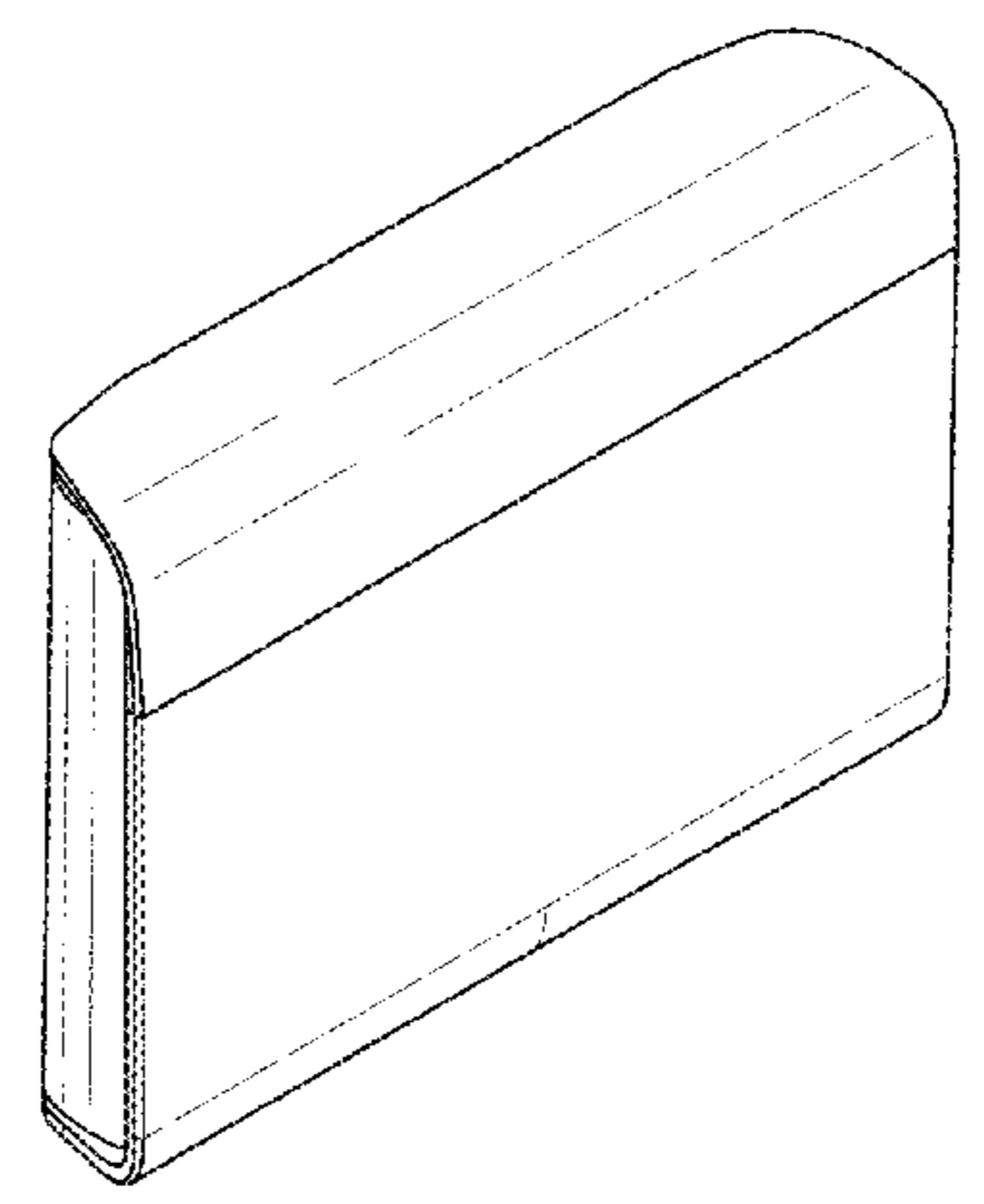
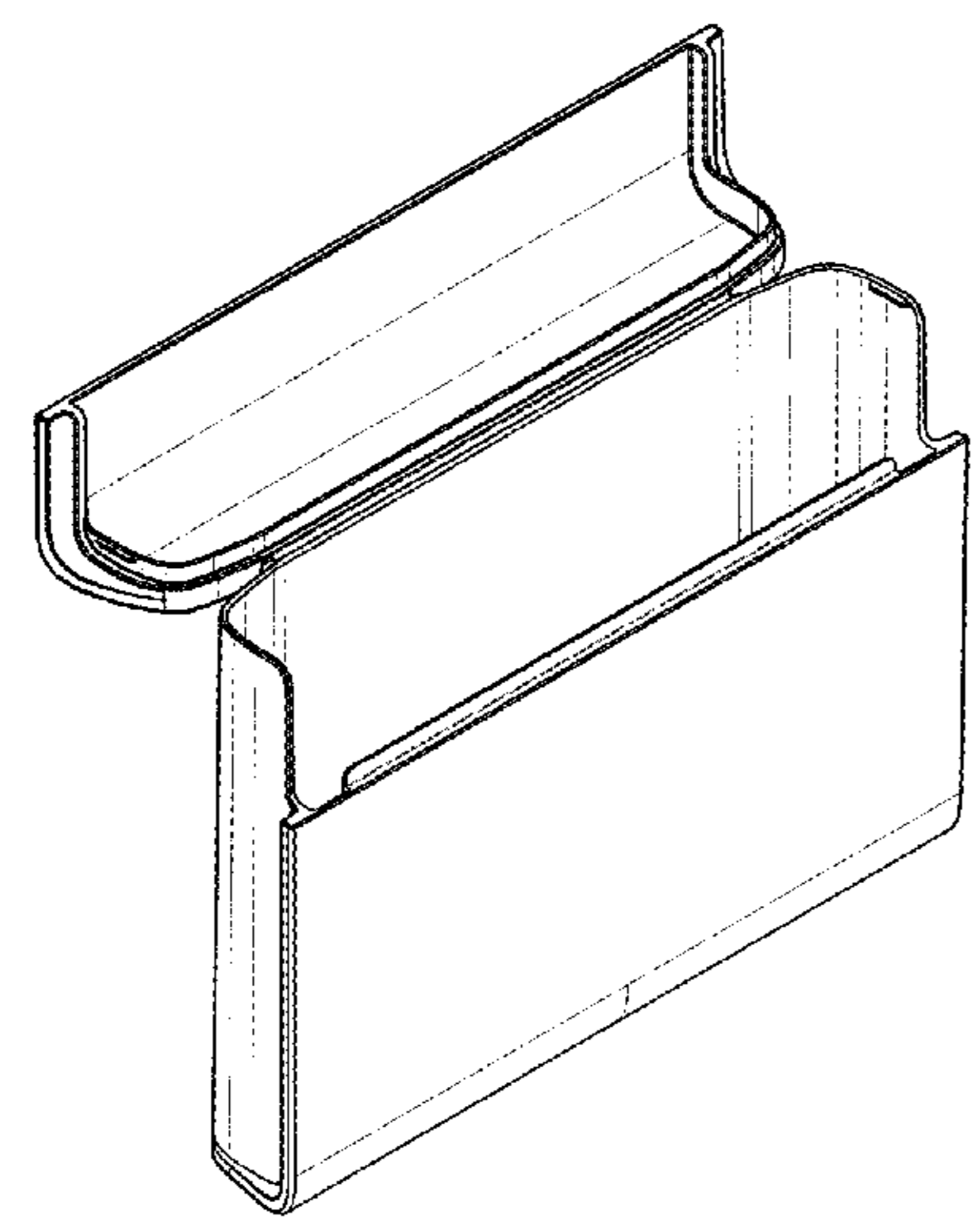
FIG. 7 is a front elevational view of the reclosable packaging shown in FIG. 6.

FIG. 8 is a top view of the reclosable packaging shown in FIG. 6.

FIG. 9 is a right side elevational view of the reclosable packaging shown in FIG. 6.

The left side elevational view of the reclosable packaging shown in FIG. 6 is the mirror image of FIG. 9; and, FIG. 10 is a rear elevational view of the reclosable packaging shown in FIG. 6.

1 Claim, 5 Drawing Sheets



(56)

References Cited

U.S. PATENT DOCUMENTS

D399,604 S *	10/1998	Wolff	D28/66	D547,649 S *	7/2007	Larocca	D9/423
D404,201 S *	1/1999	Wennerstrom	D3/294	D560,489 S *	1/2008	Satnick	D9/415
D449,521 S *	10/2001	Pinkus et al.	D9/424	D569,720 S *	5/2008	Lablaine	D9/420
D449,782 S *	10/2001	Diaz	D7/629	D594,321 S *	6/2009	Tanaka et al.	D9/420
D491,806 S *	6/2004	May	D9/424	D611,806 S *	3/2010	Bried	D9/420
D530,606 S *	10/2006	Liebe et al.	D9/440	D718,493 S *	11/2014	Stern	D27/189
D546,176 S *	7/2007	Degn	D9/423	D729,056 S *	5/2015	She et al.	D9/420
					2009/0301514 A1 *	12/2009	Passafaro	132/326
					2013/0056463 A1 *	3/2013	Buck	220/23.83
					2014/0251370 A1 *	9/2014	Klopf	132/321

* cited by examiner

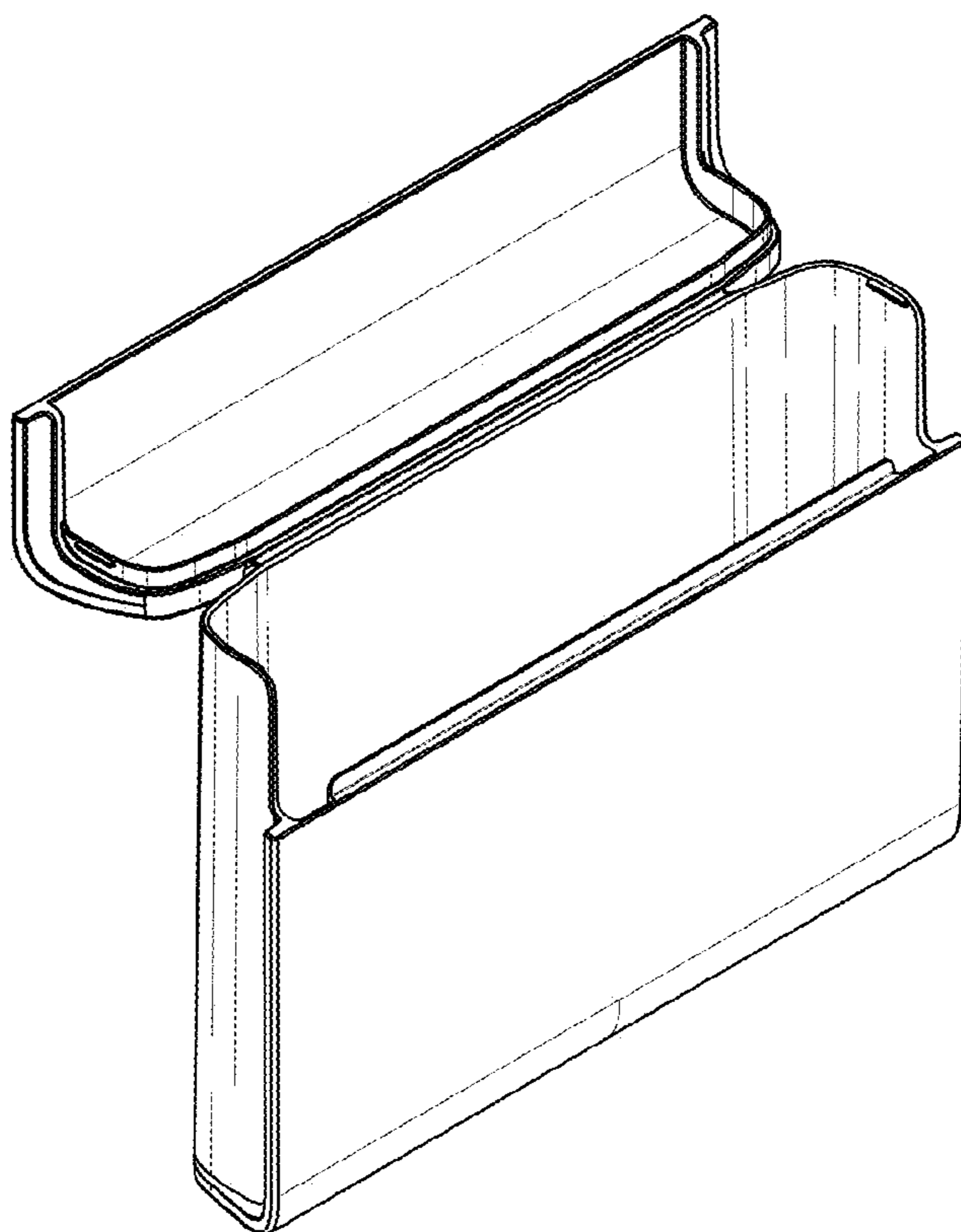


FIG. 1

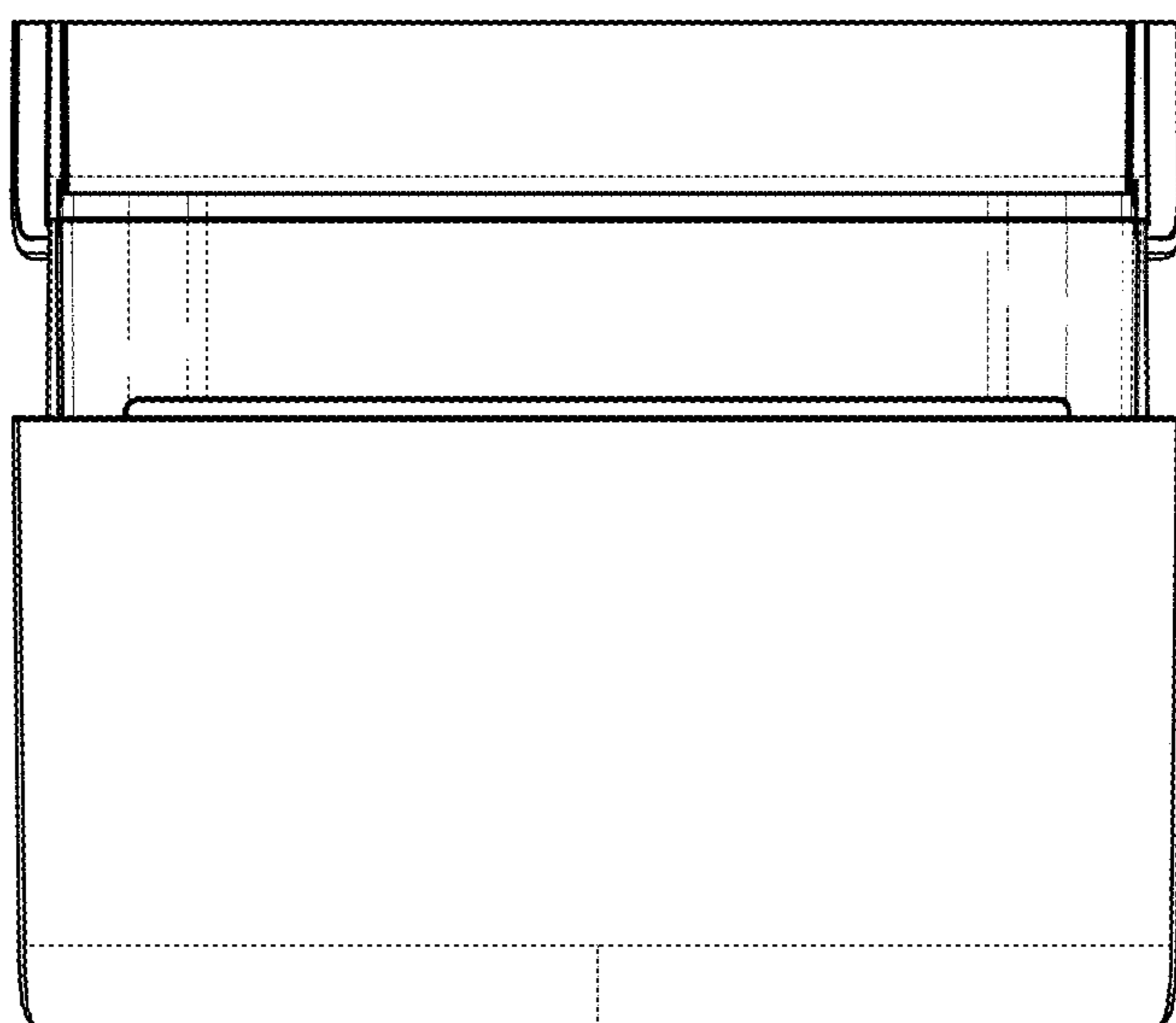


FIG. 2

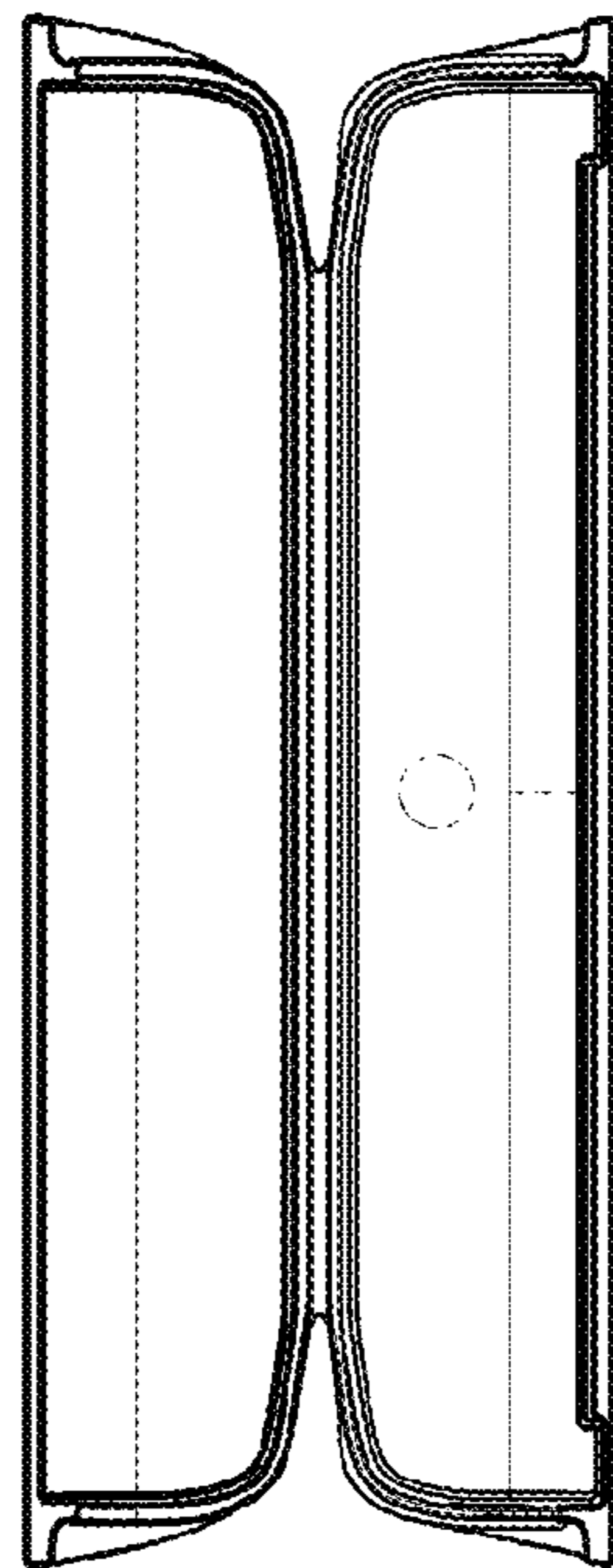


FIG. 3

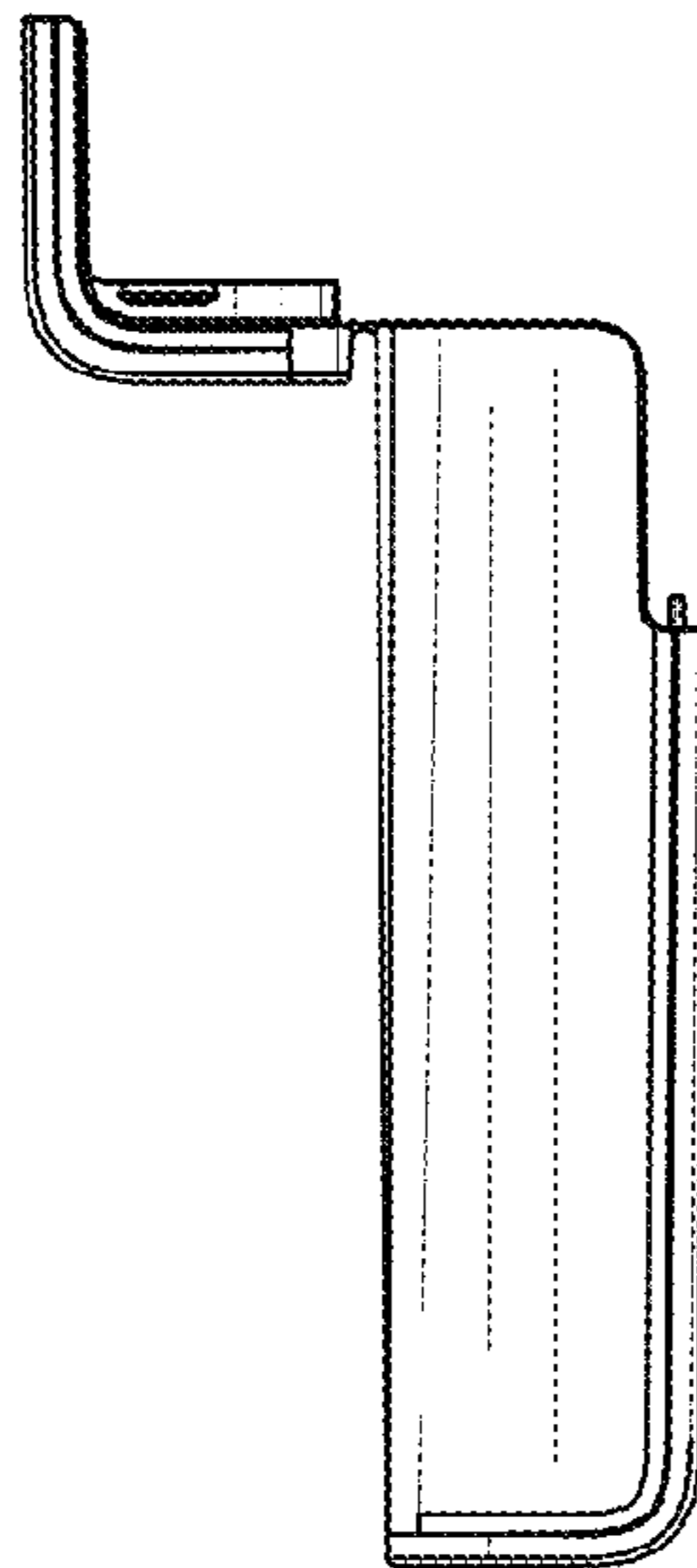


FIG. 4

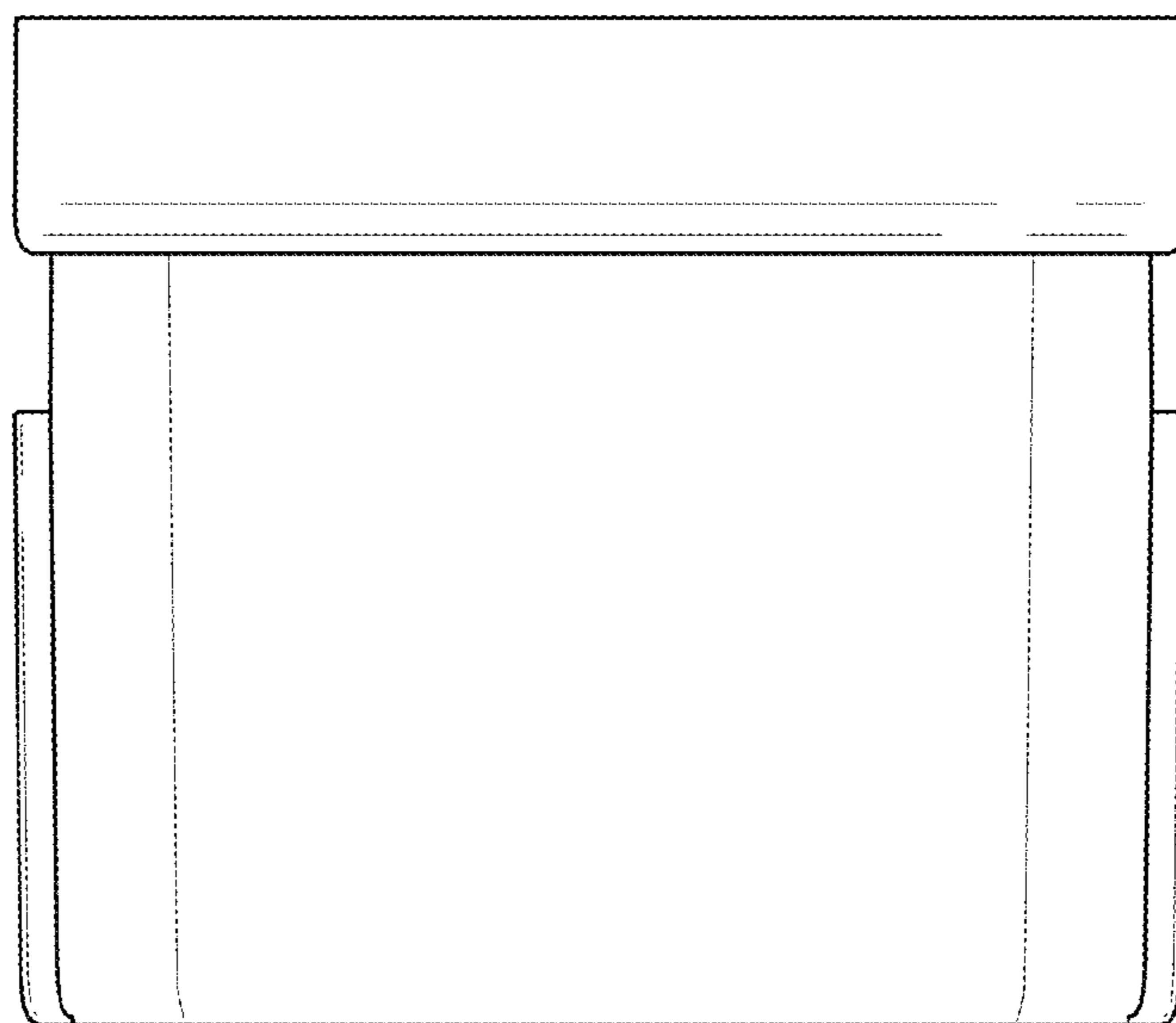


FIG. 5

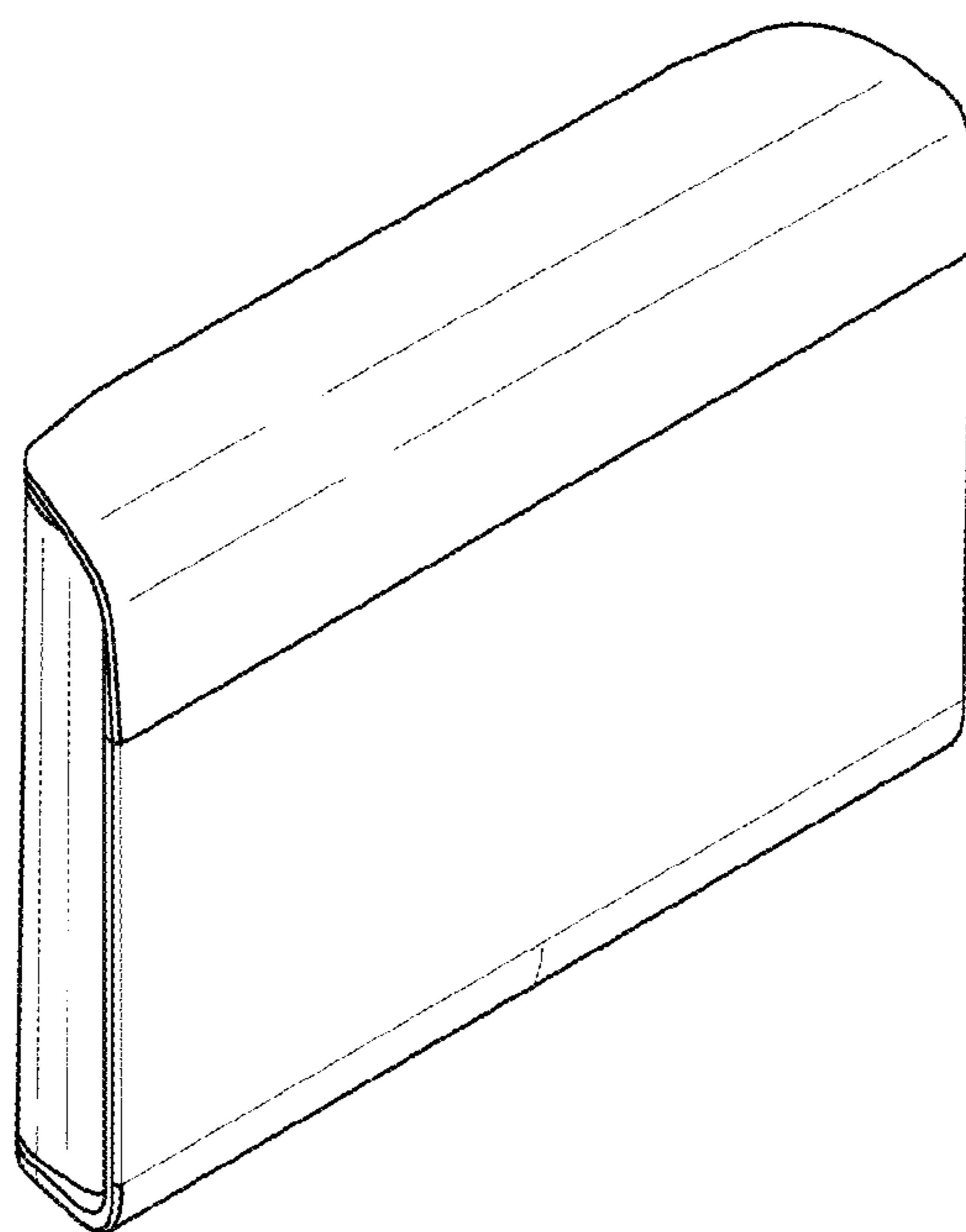


FIG. 6

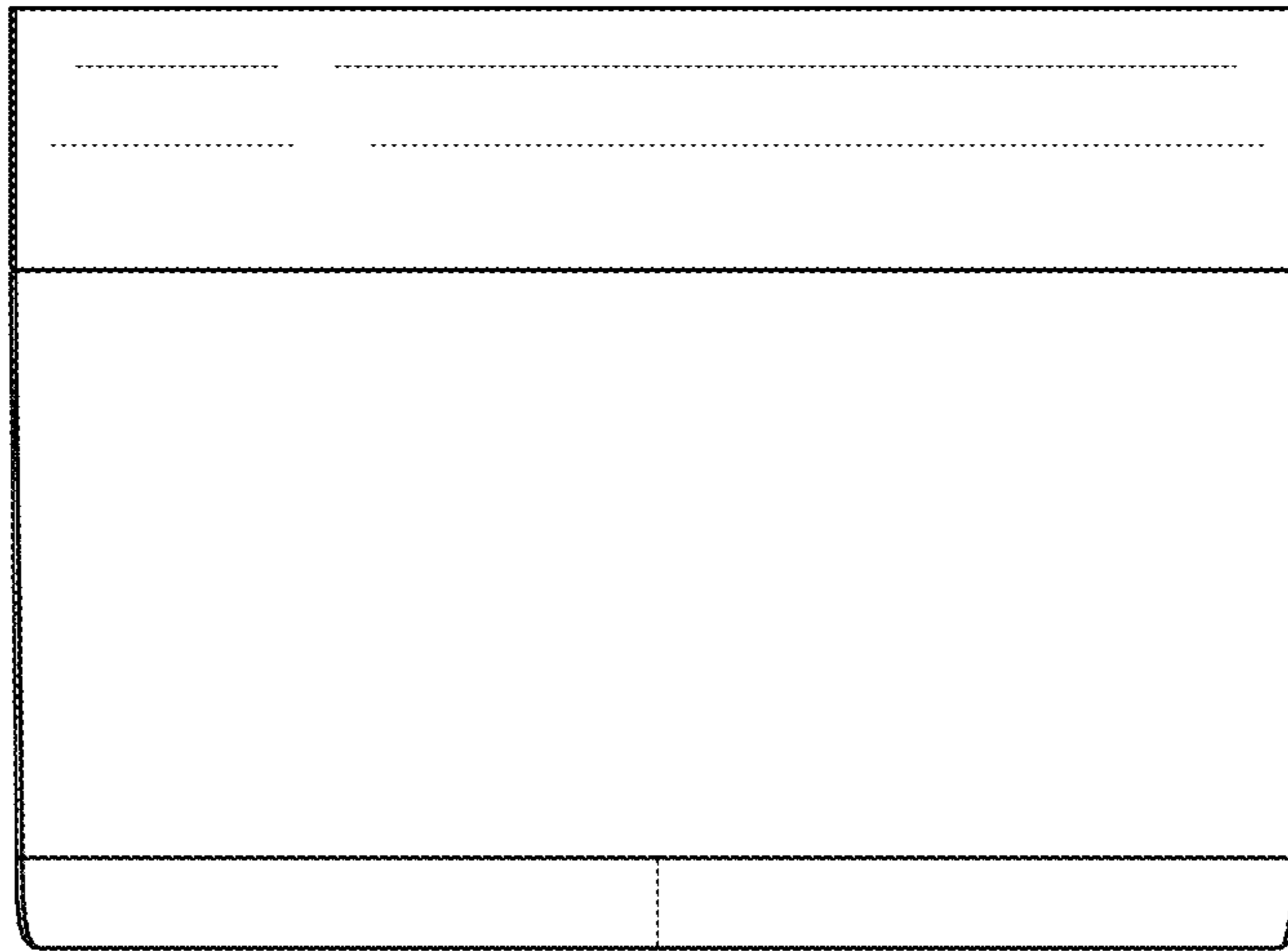


FIG. 7

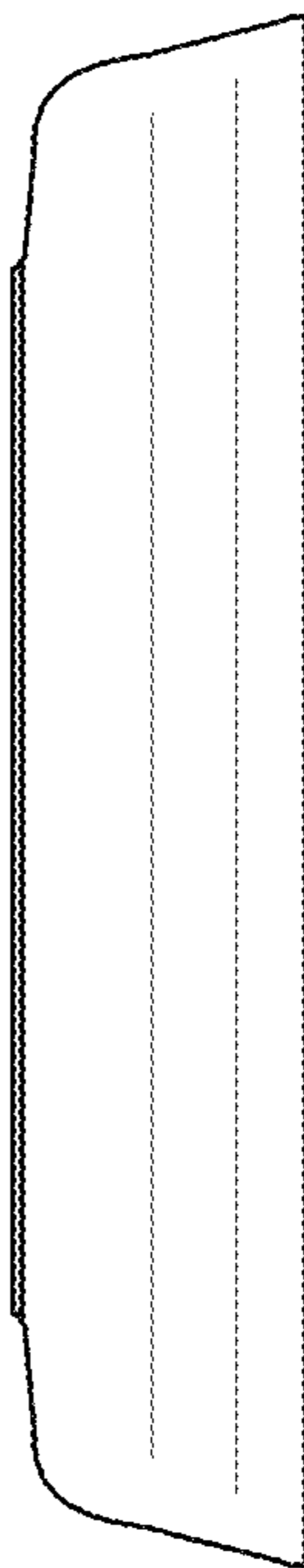


FIG. 8

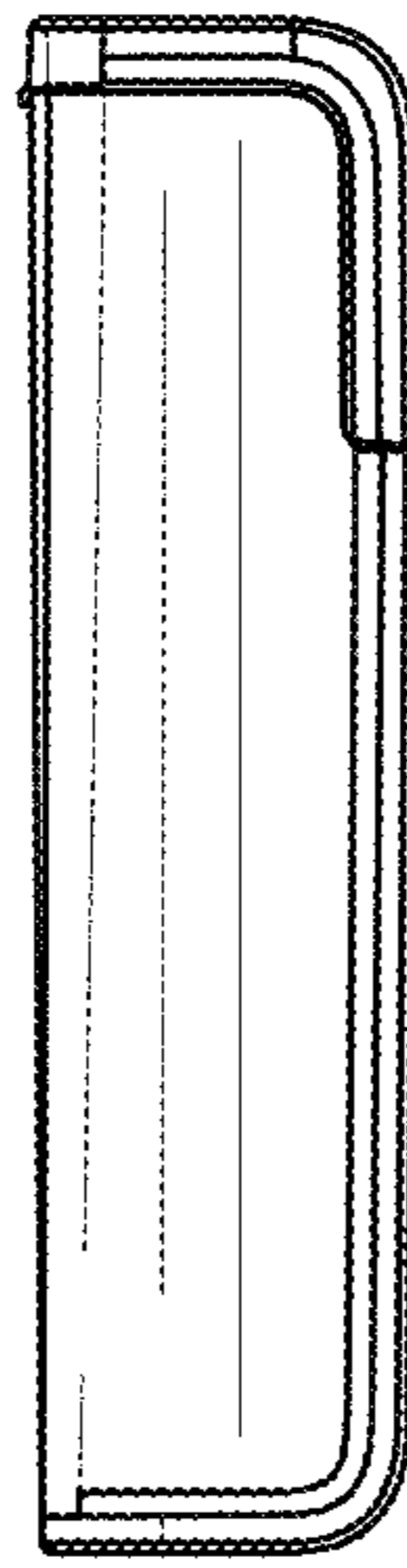


FIG. 9

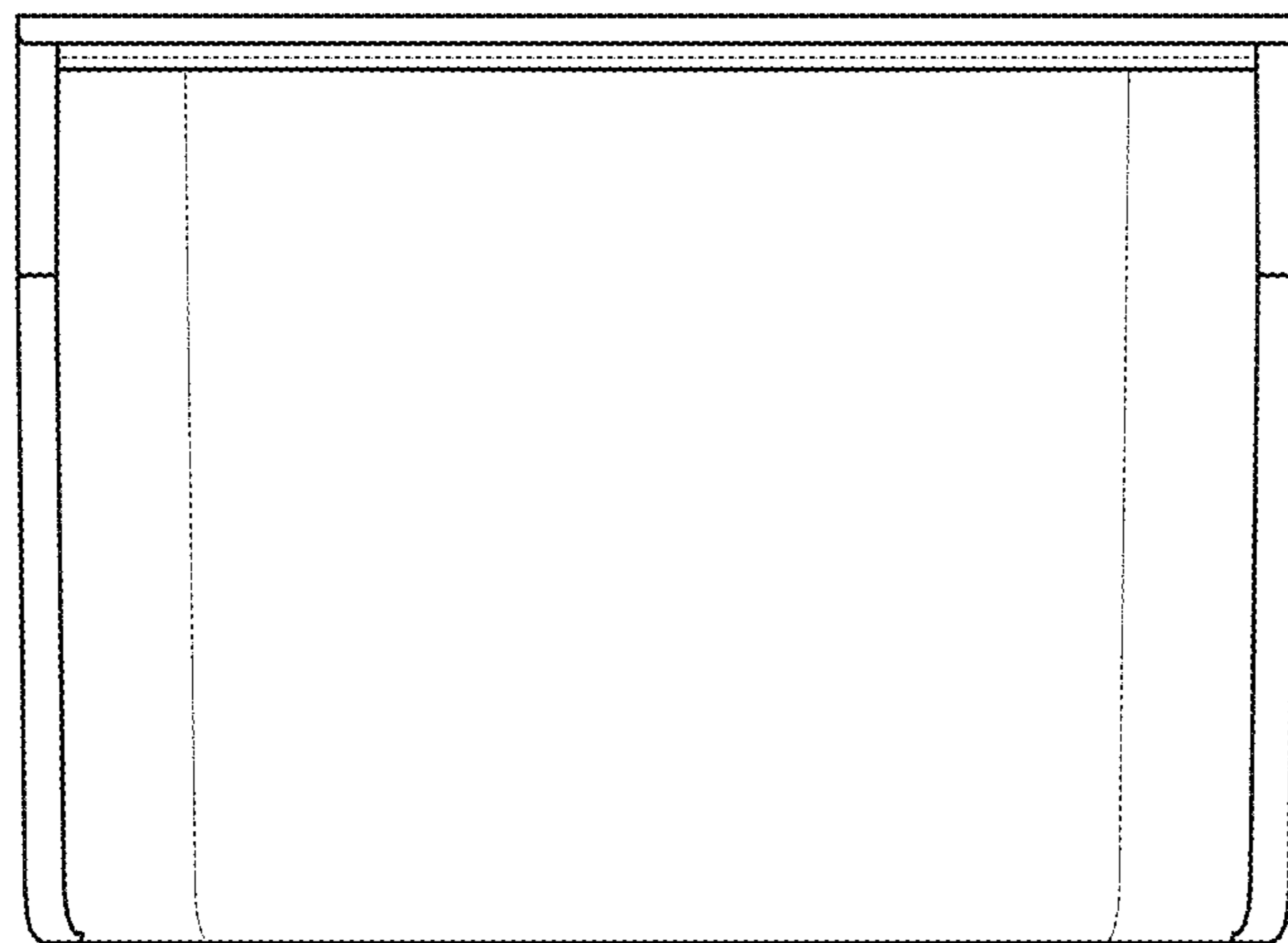


FIG. 10