



US00D748466S

(12) **United States Design Patent**  
**Martin et al.**

(10) **Patent No.:** **US D748,466 S**  
(45) **Date of Patent:** **\*\* Feb. 2, 2016**

- (54) **AUDIBLE BANDAGE CONTAINER**
- (71) Applicant: **Medline Industries, Inc.**, Mundelein, IL (US)
- (72) Inventors: **Tambra Martin**, Trevor, WI (US);  
**Brittany Johnson**, Bristol, WI (US)
- (73) Assignee: **Medline Industries, Inc.**, Mundelein, IL (US)
- (\*\*) Term: **14 Years**
- (21) Appl. No.: **29/497,852**
- (22) Filed: **Jul. 29, 2014**
- (51) **LOC (10) Cl.** ..... **09-03**
- (52) **U.S. Cl.**  
USPC ..... **D9/420**
- (58) **Field of Classification Search**  
USPC ..... D9/414, 420-432, 450, 454, 456, 457, D9/631, 759; D7/601, 629, 605, 607, D7/392.1; 229/100, 105, 111, 112, 124, 229/125, 172, 185, 183, 162.1, 221; 206/267, 269, 273, 299, 737, 740, 822, 206/438, 440, 441; D3/272, 273, 302, 278, D3/294; D27/186-191  
CPC ..... B65D 85/1045; B65D 2575/586; B65D 2203/12; B65D 2571/0066; B65D 2571/00759; B65D 5/4291; A61F 15/00; A61F 15/001; A61F 15/002; A61K 8/0208; A61Q 19/00  
See application file for complete search history.

4,704,934 A	11/1987	Nosrati et al.	
4,791,741 A	12/1988	Kondo	
4,882,966 A	11/1989	Silverman	
4,973,087 A	11/1990	Balogh	
5,108,338 A	4/1992	Margolis	
5,115,472 A	5/1992	Park et al.	
5,461,187 A	10/1995	Dudley	
5,850,630 A	12/1998	Wilson	
6,737,959 B2	5/2004	Ho	
7,203,726 B2	4/2007	Hasegawa	
D607,318 S *	1/2010	Collins	D9/423
7,658,280 B2	2/2010	Bardet et al.	
D618,544 S *	6/2010	Collins	D9/420
D636,932 S *	4/2011	de The et al.	D27/189
D653,535 S *	2/2012	Tearle	D9/423
8,159,345 B2	4/2012	Stevens	
D662,411 S *	6/2012	Tearle	D9/423
8,196,749 B2 *	6/2012	Chatelain	206/767
D664,426 S *	7/2012	Cadieux et al.	D9/423
D668,142 S *	10/2012	Turner	D9/423
D675,917 S *	2/2013	Holford	D9/423
D698,642 S *	2/2014	Tawada	D9/423
2008/0116088 A1	5/2008	Roberts	
2008/0116089 A1	5/2008	Roberts	
2008/0289230 A1	11/2008	Mandelbaum et al.	
2009/0070213 A1	3/2009	Miller et al.	
2009/0165343 A1	7/2009	Miller et al.	
2013/0159445 A1	6/2013	Zonka et al.	
2013/0305574 A1	11/2013	Nelson et al.	
2014/0311936 A1	10/2014	Marks	

**FOREIGN PATENT DOCUMENTS**

EP	277276	8/1988
EP	394573	10/1990
WO	WO-2011139793	11/2011

**OTHER PUBLICATIONS**

“Medline Catalog”, *ACE Elastic Bandage w/Hook Closure* by *3MHealthcare*; Medline Catalog; <http://www.medline.com/catalog/catalog.jsp>; Unknown Publication date but believed to be prior to present application filing date.

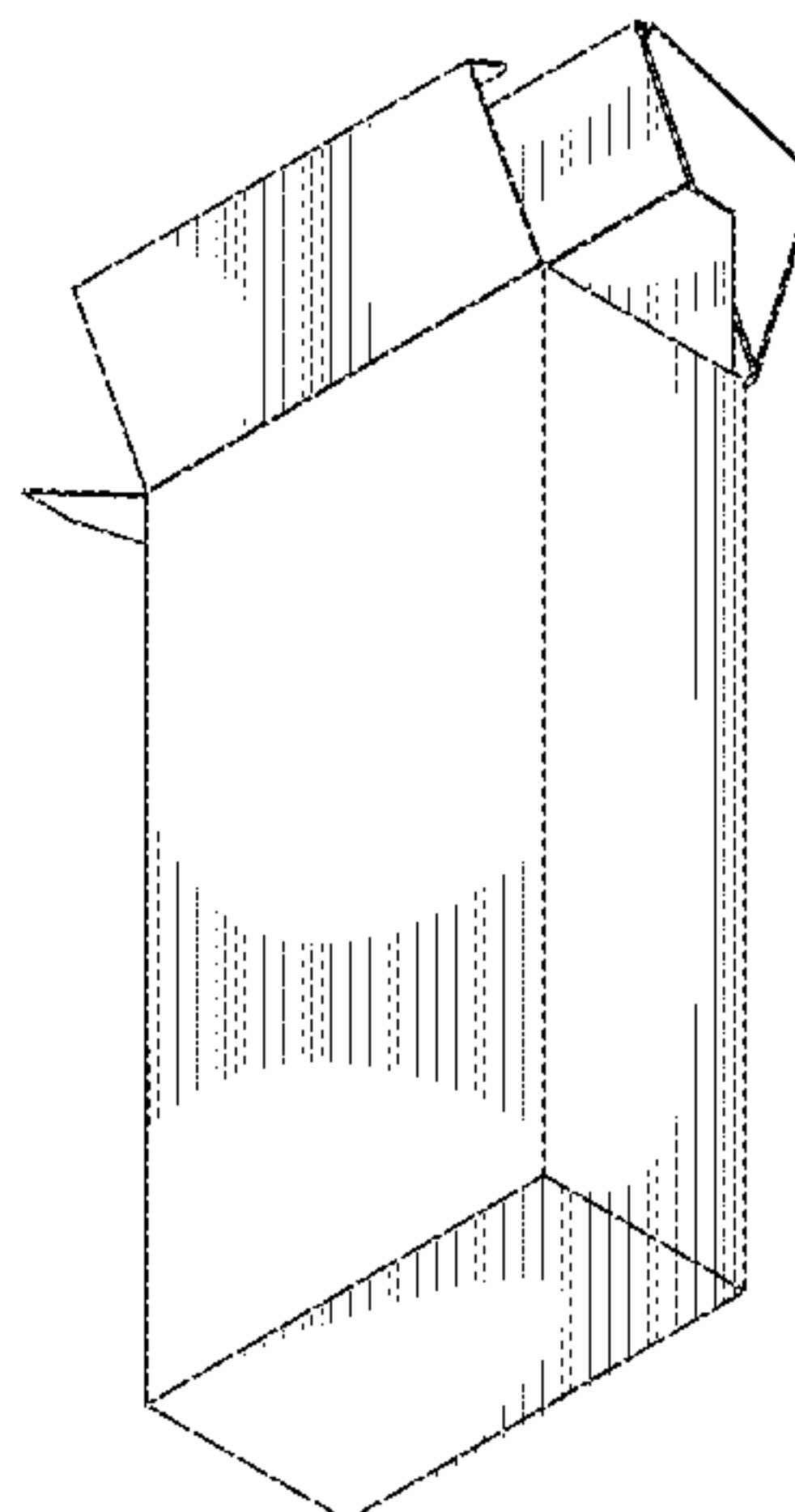
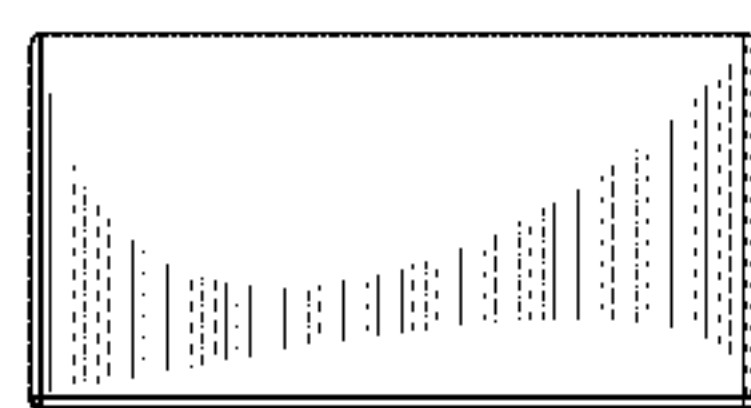
“Medline Product Catalog”, *Adult Eye Patch by Flents*; Medline Catalog; <http://www.medline.com/catalog/catalog.jsp>; Unknown Publication date but believed to be prior to present application filing date.

“Medline Catalog”, *Amerigel Hydrogel Gauze Dressing Packets* by *Amerx*; Medline Catalog; <http://www.medline.com/catalog/catalog.jsp>; Unknown Publication date but believed to be prior to present application filing date.

(56) **References Cited**

**U.S. PATENT DOCUMENTS**

1,692,504 A *	11/1928	Hayden	206/570
2,163,828 A *	6/1939	Chalmers	229/146
2,670,128 A *	2/1954	Stowitts	229/132
3,798,806 A	3/1974	Sanford	
4,102,067 A	7/1978	Tarrant	
4,193,648 A	3/1980	Gargiulo	
4,525,393 A	6/1985	DiCostanzo	
4,702,378 A	10/1987	Finkel et al.	





(56)

## References Cited

## OTHER PUBLICATIONS

“Medline Catalog”, *AmeriGel Hydrogel Gauze Dressings by Amerx*; Medline Catalog; <http://www.medline.com/catalog/catalog.jsp>; Unknown Publication date but believed to be prior to present application filing date.

“Medline Catalog”, *Band-Aid (Multiple Prints) by Johnson & Johnson*; Medline Catalog; <http://www.medline.com/catalog/catalog.jsp>; Unknown Publication date but believed to be prior to present application filing date.

“Medline Catalog”, *Band-Aid by Johnson & Johnson*; Medline Catalog; <http://www.medline.com/catalog/catalog.jsp>; Unknown Publication date but believed to be prior to present application filing date.

“Medline Catalog”, *Band-Aid w/ Advanced Healing Blister Cushion by Johnson & Johnson*; Medline Catalog; <http://www.medline.com/catalog/catalog.jsp>; Unknown Publication date but believed to be prior to present application filing date.

“Medline Catalog”, *BIOGUARD Large Gauze Roll by Derma Science*; Medline Catalog; <http://www.medline.com/catalog/catalog.jsp>; Unknown Publication date but believed to be prior to present application filing date.

“Medline Catalog”, *Circus Stat Strip Bandages by Derma Sciences*; Medline Catalog; <http://www.medline.com/catalog/catalog.jsp>; Unknown Publication date but believed to be prior to present application filing date.

“Medline Catalog”, *Clear Spot Bandages by Johnson & Johnson*; Medline Catalog; <http://www.medline.com/catalog/catalog.jsp>; Unknown Publication date but believed to be prior to present application filing date.

“Medline Catalog”, *Coverlet Eye Occluders by Wilson Ophthalmic Corp*; Medline Catalog; <http://www.medline.com/catalog/catalog.jsp>; Unknown Publication date but believed to be prior to present application filing date.

“Medline Catalog”, *Cuirty O-B Sponges by Covidien*; Medline Catalog; <http://www.medline.com/catalog/catalog.jsp>; Unknown Publication date but believed to be prior to present application filing date.

“Medline Catalog”, *CURAD Antibacterial Adhesive Bandages*; Medline Catalog; <http://www.medline.com/catalog/catalog.jsp>; Unknown Publication date but believed to be prior to present application filing date.

“Medline Catalog”, *CURAD Athletic Foam Bandages*; Medline Catalog; <http://www.medline.com/catalog/catalog.jsp>; Unknown Publication date but believed to be prior to present application filing date.

“Medline Catalog”, *CURAD Butterfly Closure Adhesive Bandages*; Medline Catalog; <http://www.medline.com/catalog/catalog.jsp>; Unknown Publication date but believed to be prior to present application filing date.

“Medline Catalog”, *CURAD Clear Adhesive Bandages*; Medline Catalog; <http://www.medline.com/catalog/catalog.jsp>; Unknown Publication date but believed to be prior to present application filing date.

“Medline Catalog”, *CURAD Comfort Fabric Bandages*; Medline Catalog; <http://www.medline.com/catalog/catalog.jsp>; Unknown Publication date but believed to be prior to present application filing date.

“Medline Catalog”, *CURAD Cotton Bandage Roll*; Medline Catalog; <http://www.medline.com/catalog/catalog.jsp>; Unknown Publication date but believed to be prior to present application filed.

“Medline Catalog”, *CURAD Cupcake Cover Bandages*; Medline Catalog; <http://www.medline.com/catalog/catalog.jsp>; Unknown Publication date but believed to be prior to present application filing date.

“Medline Catalog”, *CURAD Dazzle Adhesive Bandage*; Medline Catalog; <http://www.medline.com/catalog/catalog.jsp>; Unknown Publication date but believed to be prior to present application filing date.

“Medline Catalog”, *CURAD Extra Strength Waterproof Bandages*; Medline Catalog; <http://www.medline.com/catalog/catalog.jsp>; Unknown Publication date but believed to be prior to present application filing date.

“Medline Catalog”, *CURAD Extreme Hold Bandages*; Medline Catalog; <http://www.medline.com/catalog/catalog.jsp>; Unknown Publication date but believed to be prior to present application filing date.

“Medline Catalog”, *CURAD Eye Patch*; Medline Catalog; <http://www.medline.com/catalog/catalog.jsp>; Unknown Publication date but believed to be prior to present application filing date.

“Medline Catalog”, *CURAD First Aid Kits*; Medline Catalog; <http://www.medline.com/catalog/catalog.jsp>; Unknown Publication date but believed to be prior to present application filing date.

“Medline Catalog”, *CURAD Flex-Fabric Bandaged*; Medline Catalog; <http://www.medline.com/catalog/catalog.jsp>; Unknown Publication date but believed to be prior to present application filing date.

“Medline Catalog”, *CURAD Food Service Adhesive Bandages*; Medline Catalog; <http://www.medline.com/catalog/catalog.jsp>; Unknown Publication date but believed to be prior to present application filing date.

“Medline Catalog”, *CURAD Hold Tite Tubular Stretch Bandage*; Medline Catalog; <http://www.medline.com/catalog/catalog.jsp>; Unknown Publication date but believed to be prior to present application filing date.

“Medline Catalog”, *CURAD Knee and Elbow Bandages*; Medline Catalog; <http://www.medline.com/catalog/catalog.jsp>; Unknown Publication date but believed to be prior to present application filing date.

“Medline Catalog”, *CURAD Mediplast Wart Pads*; Medline Catalog; <http://www.medline.com/catalog/catalog.jsp>; Unknown Publication date but believed to be prior to present application filing date.

“Medline Catalog”, *CURAD Performance Series Antibacterial Bandages*; Medline Catalog; <http://www.medline.com/catalog/catalog.jsp>; Unknown Publication date but believed to be prior to present application filing date.

“Medline Catalog”, *CURAD Pirates Bandages*; Medline Catalog; <http://www.medline.com/catalog/catalog.jsp>; Unknown Publication date but believed to be prior to present application filing date.

“Medline Catalog”, *CURAD Plastic Adhesive Bandages*; Medline Catalog; <http://www.medline.com/catalog/catalog.jsp>; Unknown Publication date but believed to be prior to present application filing date.

“Medline Catalog”, *CURAD Pressure Adhesive Bandages*; Medline Catalog; <http://www.medline.com/catalog/catalog.jsp>; Unknown Publication date but believed to be prior to present application filing date.

“Medline Catalog”, *CURAD Self Adherent Wrap*; Medline Catalog; <http://www.medline.com/catalog/catalog.jsp>; Unknown Publication date but believed to be prior to present application filing date.

“Medline Catalog”, *CURAD Sensitive Skin Bandages*; Medline Catalog; <http://www.medline.com/catalog/catalog.jsp>; Unknown Publication date but believed to be prior to present application filing date.

“Medline Catalog”, *CURAD Silicone Flexible Fabric Bandages*; Medline Catalog; <http://www.medline.com/catalog/catalog.jsp>; Unknown Publication date but believed to be prior to present application filing date.

“Medline Catalog”, *CURAD XL Plastic Adhesive Bandages*; Medline Catalog; <http://www.medline.com/catalog/catalog.jsp>; Unknown Publication date but believed to be prior to present application filing date.

“Medline Catalog”, *Dora the Explorer Adhesive Bandages by Johnson & Johnson*; Medline Catalog; <http://www.medline.com/catalog/catalog.jsp>; Unknown Publication date but believed to be prior to present application filing date.

“Medline Catalog”, *CURAD Elastic Nets*; Medline Catalog; <http://www.medline.com/catalog/catalog.jsp>; Unknown Publication date but believed to be prior to present application filing date.

“Medline Catalog”, *First Aid Kids by Graham-Field*; Medline Catalog; <http://www.medline.com/catalog/catalog.jsp>; Unknown Publication date but believed to be prior to present application filing date.

“Medline Catalog”, *Fourlex Bandage System*; Medline Catalog; <http://www.medline.com/catalog/catalog.jsp>; Unknown Publication date but believed to be prior to present application filing date.

“Medline Catalog”, *Herbie the Dinosaur Bandages by Derma Sciences*; Medline Catalog; <http://www.medline.com/catalog/catalog.jsp>; Unknown Publication date but believed to be prior to present application filing date.



(56)

**References Cited**

## OTHER PUBLICATIONS

“Medline Catalog”, *Latex Finger Cot by Tech-Med Services*; Medline Catalog; <http://www.medline.com/catalog/catalog.jsp>; Unknown Publication date but believed to be prior to present application filing date.

“Medline Catalog”, *Looney Tunes Bandages by Derma Sciences*; Medline Catalog; <http://www.medline.com/catalog/catalog.jsp>; Unknown Publication date but believed to be prior to present application filing date.

“Medline Catalog”, *Medigrip Tubular Bandages*; Medline Catalog; <http://www.medline.com/catalog/catalog.jsp>; Unknown Publication date but believed to be prior to present application filing date.

“Medline Catalog”, *Nexcare Comfort Pals Bandages by 3M Healthcare*; Medline Catalog; <http://www.medline.com/catalog/catalog.jsp>; Unknown Publication date but believed to be prior to present application filing date.

“Medline Catalog”, *Non-Sterile Gauze Sponges by Dynarex Corporation*; Medline Catalog; <http://www.medline.com/catalog/catalog.jsp>; Unknown Publication date but believed to be prior to present application filing date.

“Medline Catalog”, *Non-Woven Sponges by Dynarex Corporation*; Medline Catalog; <http://www.medline.com/catalog/catalog.jsp>; Unknown Publication date but believed to be prior to present application filing date.

“Medline Catalog”, *Ortho Glass Wraps by BSN Medical*; Medline Catalog; <http://www.medline.com/catalog/catalog.jsp>; Unknown Publication date but believed to be prior to present application filing date.

“Medline Catalog”, *OrthoFlex Elastic Plaster of Paris Bandages by BSN Medical*; Medline Catalog; <http://www.medline.com/catalog/catalog.jsp>; Unknown Publication date but believed to be prior to present application filing date.

“Medline Catalog”, *Planets & Stars Adhesive Bandages by Derma Sciences*; Medline Catalog; <http://www.medline.com/catalog/catalog.jsp>; Unknown Publication date but believed to be prior to present application filing date.

“Medline Catalog”, *Pre-Cut Tubular Bandages by Medical Action*; Medline Catalog; <http://www.medline.com/catalog/catalog.jsp>; Unknown Publication date but believed to be prior to present application filing date.

“Medline Catalog”, *Reinforced Waterproof Bandages by ASO Corp*; Medline Catalog; <http://www.medline.com/catalog/catalog.jsp>; Unknown Publication date but believed to be prior to present application filing date.

“Medline Catalog”, *Scooby Doo Bandages by Derma Sciences*; Medline Catalog; <http://www.medline.com/catalog/catalog.jsp>; Unknown Publication date but believed to be prior to present application filing date.

“Medline Catalog”, *Spiderman Bandages by Derma Sciences*; Medline Catalog; <http://www.medline.com/catalog/catalog.jsp>; Unknown Publication date but believed to be prior to present application filing date.

“Medline Catalog”, *SpongeBob SquarePants Adhesive Bandages by Jonson & Johnson*; Medline Catalog; <http://www.medline.com/catalog/catalog.jsp>; Unknown Publication date but believed to be prior to present application filing date.

“Medline Catalog”, *Stat Strip Adhesive Bandages*; Medline Catalog; <http://www.medline.com/catalog/catalog.jsp>; Unknown Publication date but believed to be prior to present application filing date.

“Medline Catalog”, *Stat Strip Bandages by Derma Sciences*; Medline Catalog; <http://www.medline.com/catalog/catalog.jsp>; Unknown Publication date but believed to be prior to present application filing date.

“Medline Catalog”, *Sterile NonWoven Post Op Sponges by Dynarex*; Medline Catalog; <http://www.medline.com/catalog/catalog.jsp>; Unknown Publication date but believed to be prior to present application filing date.

“Medline Catalog”, *Stocked First Aid Kit—50 Person by Graham-Field*; Medline Catalog; <http://www.medline.com/catalog/catalog.jsp>; Unknown Publication date but believed to be prior to present application filing date.

“Medline Catalog”, *Tubigrip by Alimed*; Medline Catalog; <http://www.medline.com/catalog/catalog.jsp>; Unknown Publication date but believed to be prior to present application filing date.

“Medline Catalog”, *Tubigrip Elasticated Tubular Bandages by Molnlyke*; Medline Catalog; <http://www.medline.com/catalog/catalog.jsp>; Unknown Publication date but believed to be prior to present application filing date.

“Medline Catalog”, *Unna-Z Unna Boot Bandages*; Medline Catalog; <http://www.medline.com/catalog/catalog.jsp>; Unknown Publication date but believed to be prior to present application filing date.

“Medline Catalog”, *Vetrap Bandaging Tapes by 3M Healthcare*; Medline Catalog; <http://www.medline.com/catalog/catalog.jsp>; Unknown Publication date but believed to be prior to present application filing date.

Hofsass, Jeffery A., “NonFinal OA”, U.S. Appl. No. 14/445,749, filed Jul. 29, 2014; Mailed Sep. 22, 2015.

Hofsass, Jeffery “NonFinal OA”, U.S. Appl. No. 14/445,768, filed Jul. 29, 2014; Mailed Oct. 1, 2015.

\* cited by examiner

*Primary Examiner* — Philip S Hyder

*Assistant Examiner* — Keith Frank

(74) *Attorney, Agent, or Firm* — Philip H. Burrus, IV

(57)

**CLAIM**

The ornamental design for an audible bandage container, as shown and described.

**DESCRIPTION**

FIG. 1 is a shaded front elevation view of an audible bandage container showing our new design;

FIG. 2 is a shaded rear elevation view thereof;

FIG. 3 is a shaded top plan view thereof;

FIG. 4 is a shaded bottom plan view thereof;

FIG. 5 is a shaded right elevation view thereof;

FIG. 6 is a shaded left elevation view thereof;

FIG. 7 is a shaded first perspective view thereof with the audible bandage container in a closed configuration;

FIG. 8 is a shaded second perspective view thereof with the audible bandage container in the closed configuration;

FIG. 9 is a shaded third perspective view thereof with the audible bandage container in a first opened configuration;

FIG. 10 is a shaded fourth perspective view thereof with the audible bandage container in the first opened configuration;

FIG. 11 is a shaded fifth perspective view thereof with the audible bandage container in a second opened configuration; and

FIG. 12 is a shaded sixth perspective view thereof with the audible bandage container in the second opened configuration;

FIG. 13 is an unshaded front elevation view of an audible bandage container showing our new design;

FIG. 14 is an unshaded rear elevation view thereof;

FIG. 15 is an unshaded top plan view thereof;

FIG. 16 is an unshaded bottom plan view thereof;

FIG. 17 is an unshaded right elevation view thereof;

FIG. 18 is an unshaded left elevation view thereof;

FIG. 19 is an unshaded first perspective view thereof with the audible bandage container in a closed configuration;

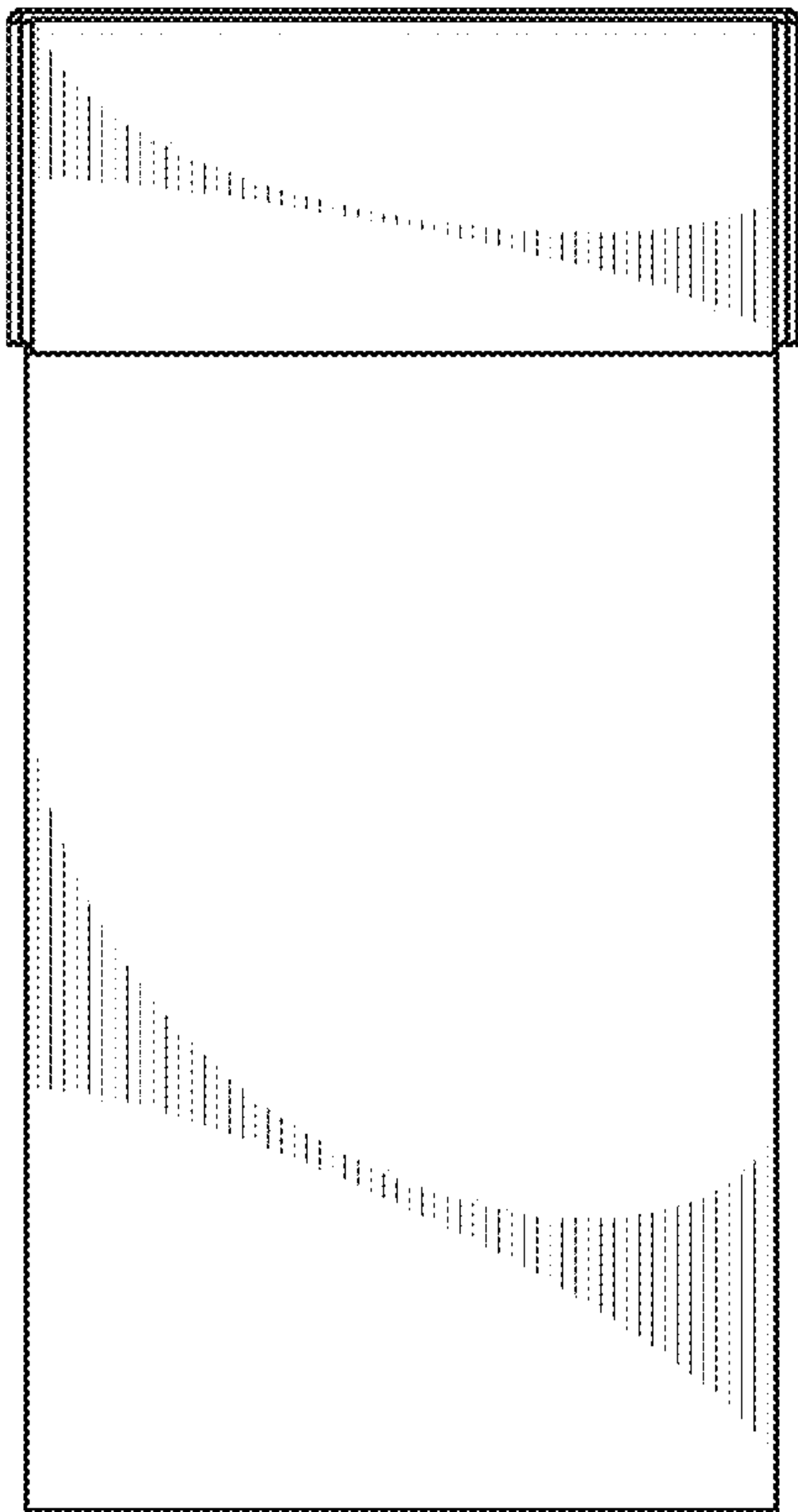
FIG. 20 is an unshaded second perspective view thereof with the audible bandage container in the closed configuration;

FIG. 21 is an unshaded third perspective view thereof with the audible bandage container in a first opened configuration;  
FIG. 22 is an unshaded fourth perspective view thereof with the audible bandage container in the first opened configuration;  
FIG. 23 is an unshaded fifth perspective view thereof with the audible bandage container in a second opened configuration;  
and,

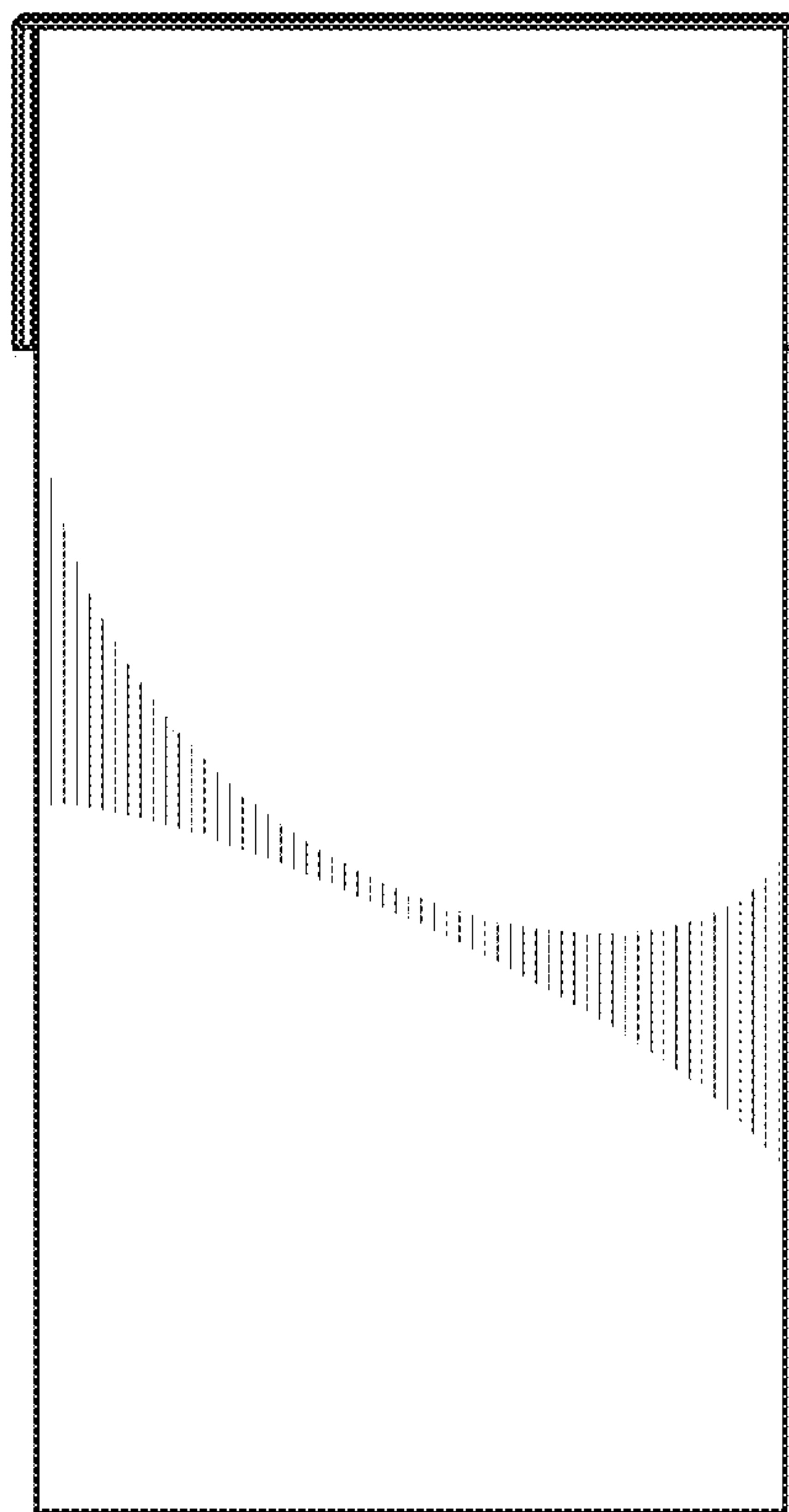
FIG. 24 is an unshaded sixth perspective view thereof with the audible bandage container in the second opened configuration.

The dashed lines are included for the purpose of illustrating portions of the audible bandage container that form no part of the claimed design.

**1 Claim, 18 Drawing Sheets**

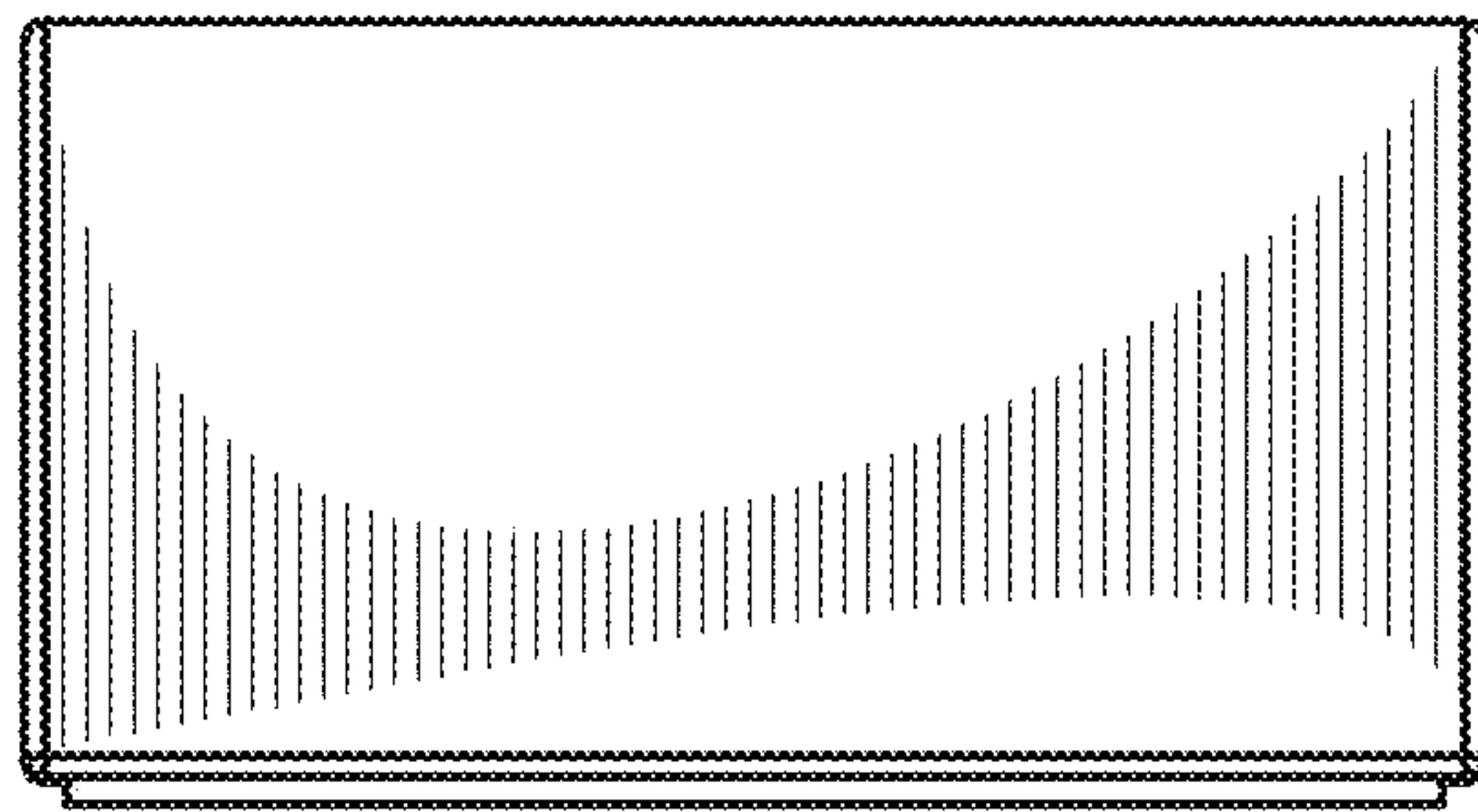


***FIG. 1***

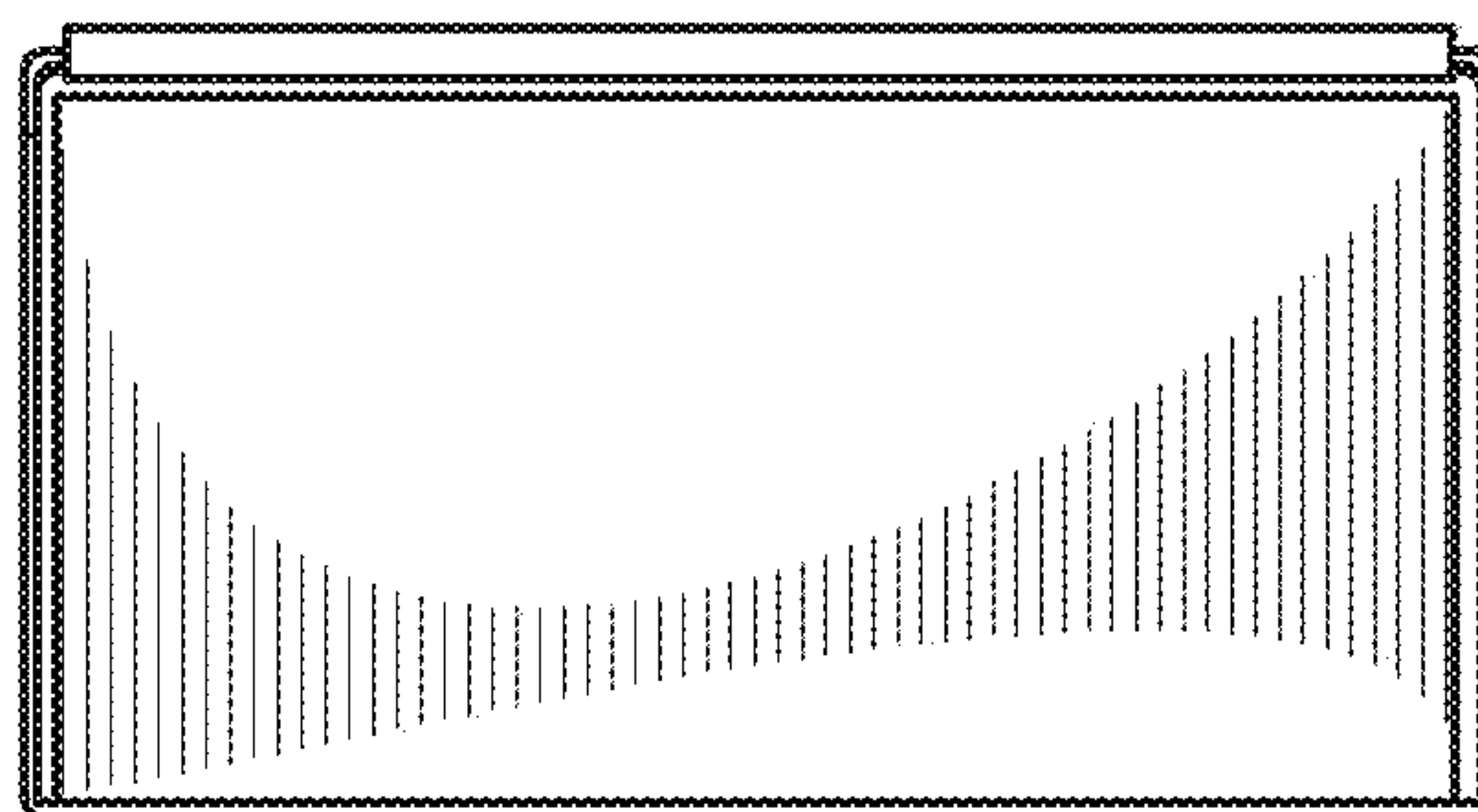


***FIG. 2***

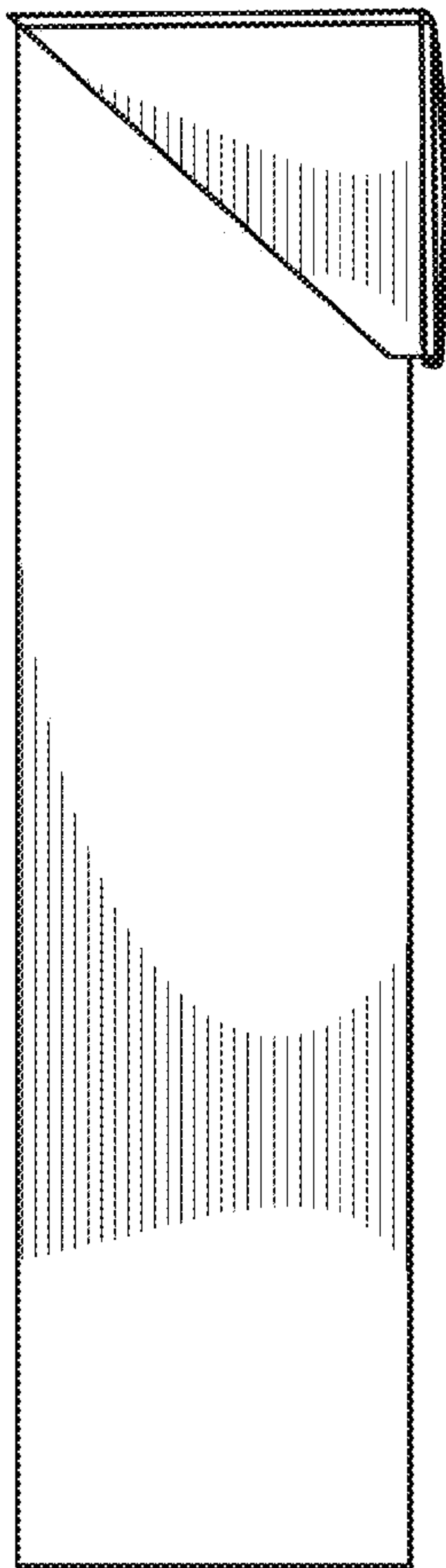




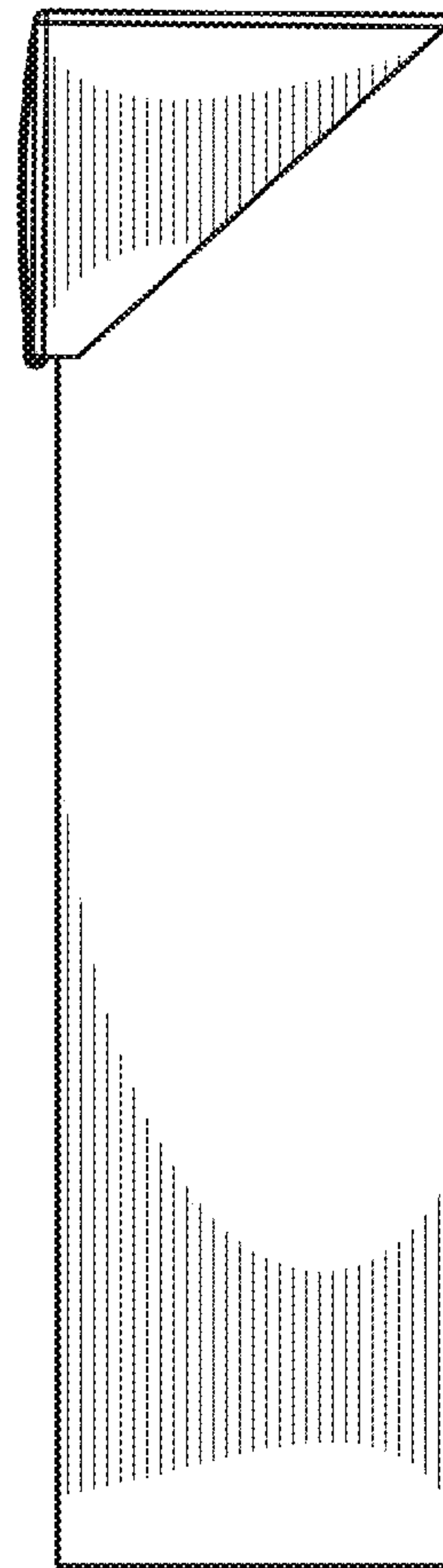
*FIG. 3*



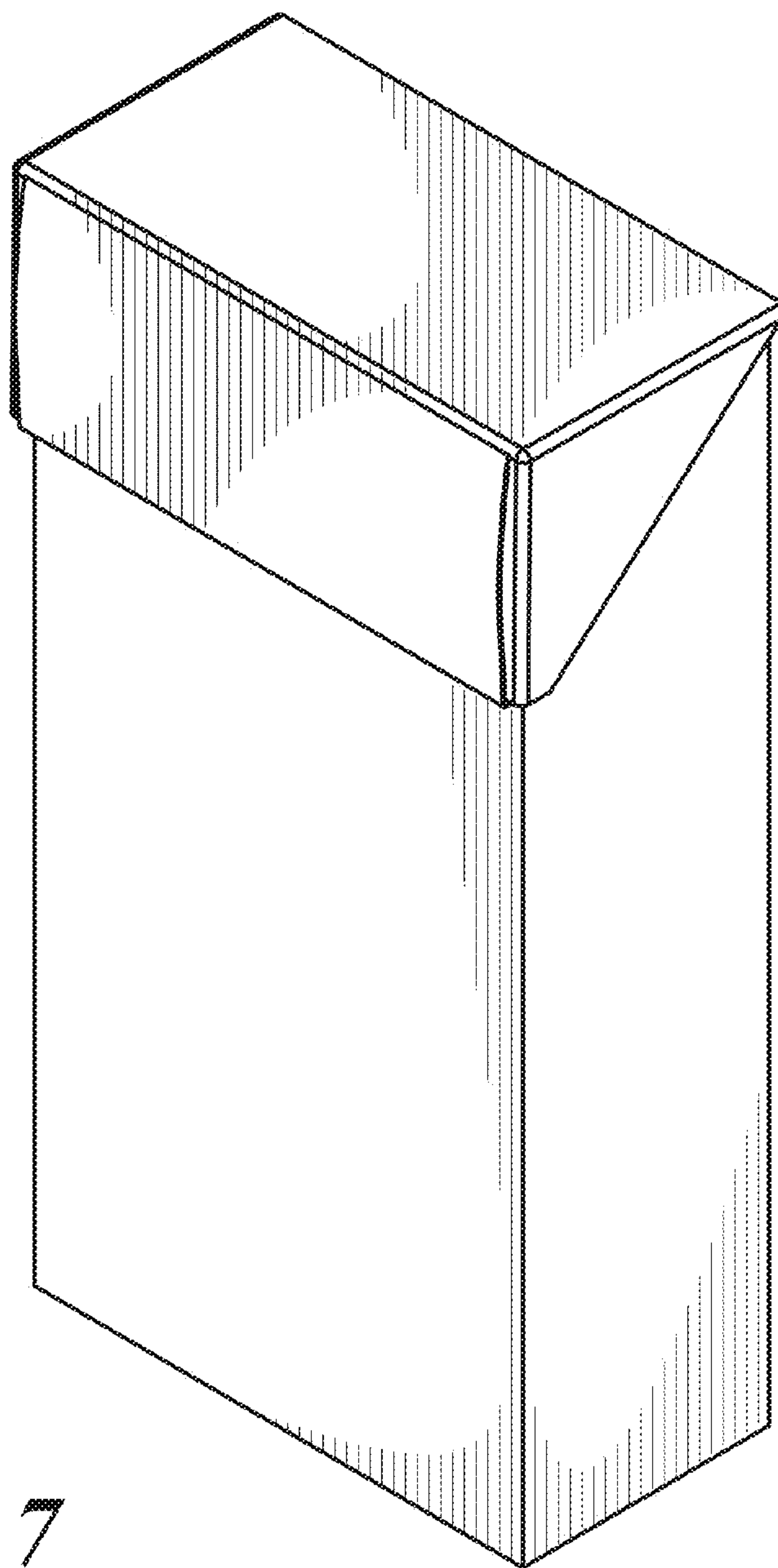
*FIG. 4*



***FIG. 5***

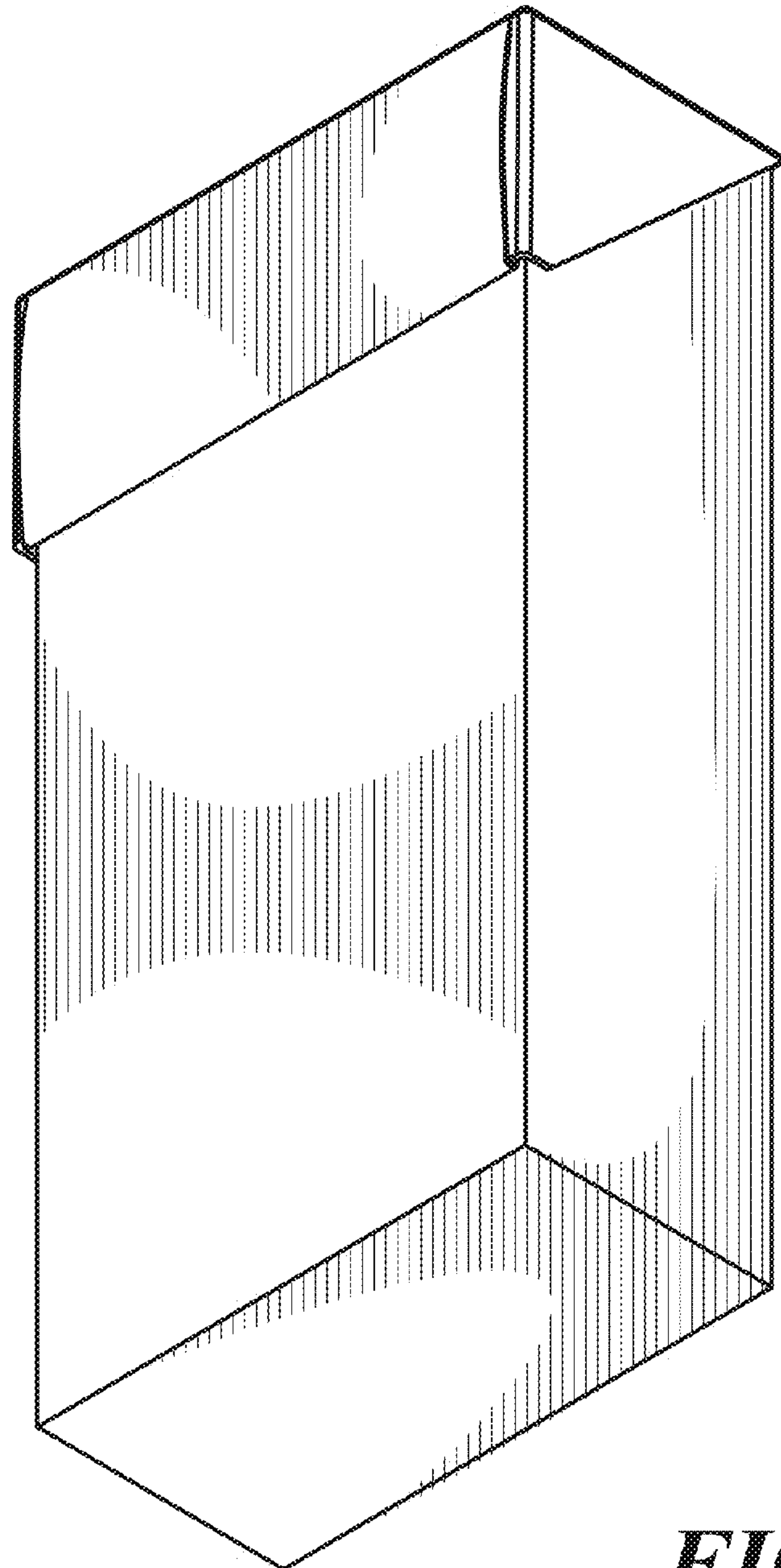


***FIG. 6***

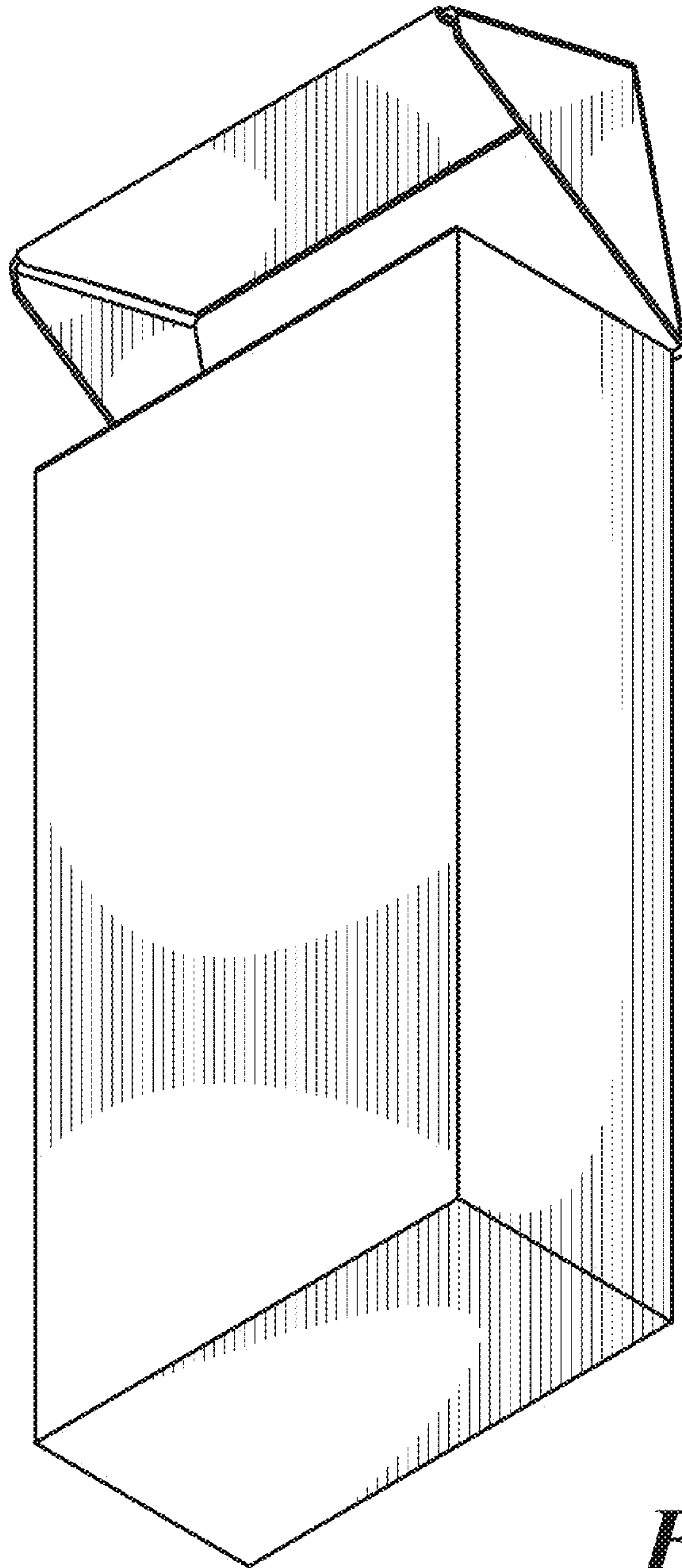


***FIG. 7***

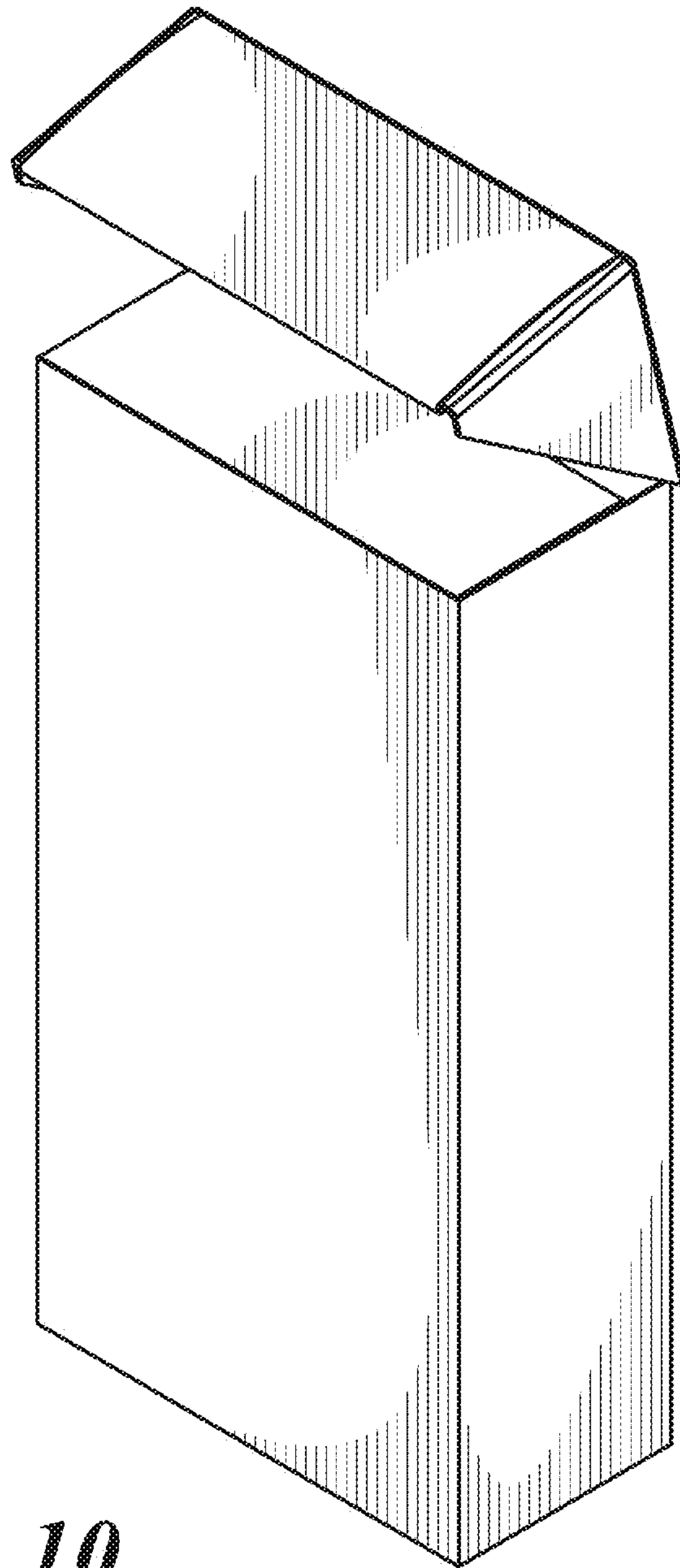




***FIG. 8***

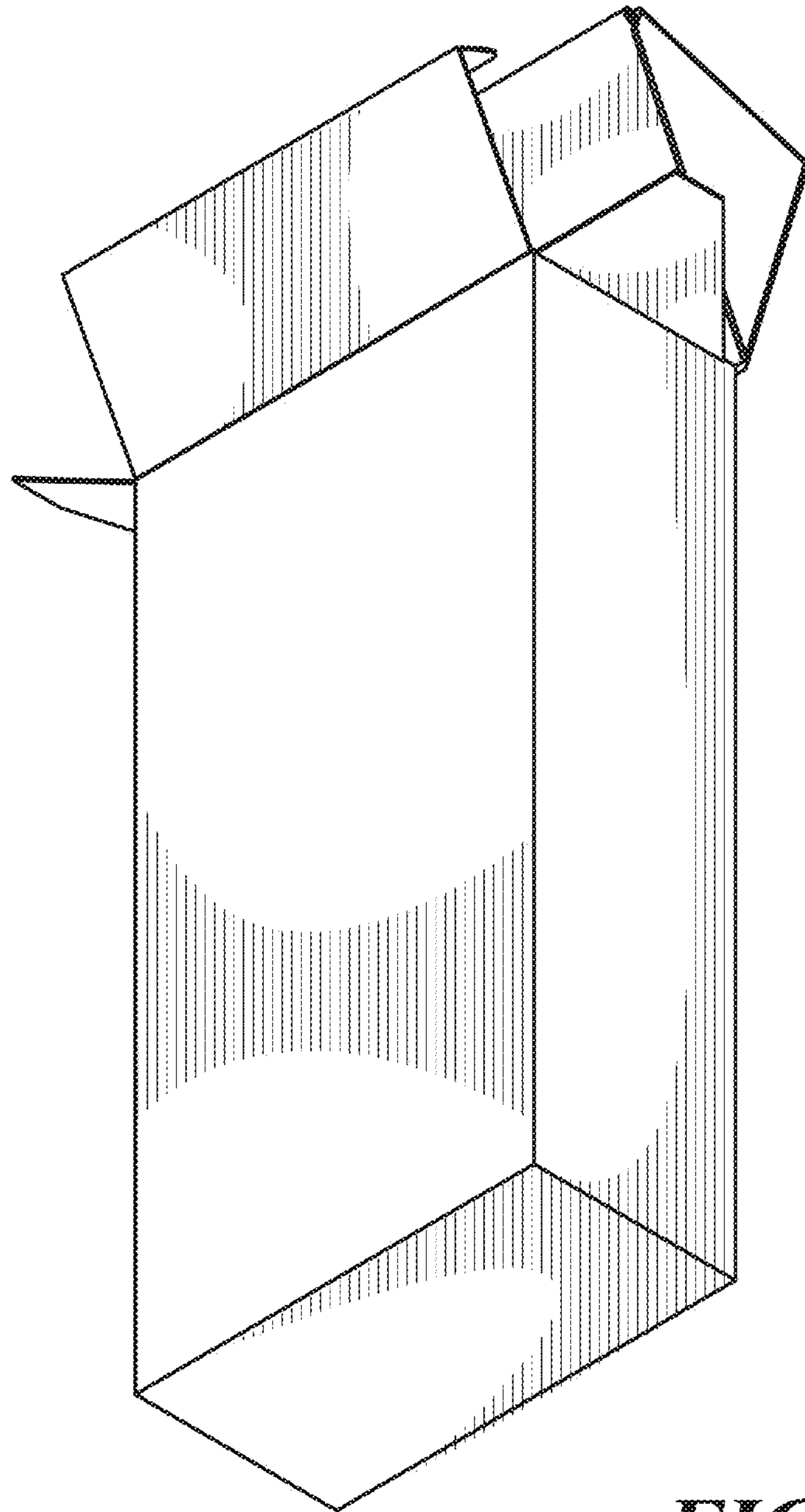


**FIG. 9**

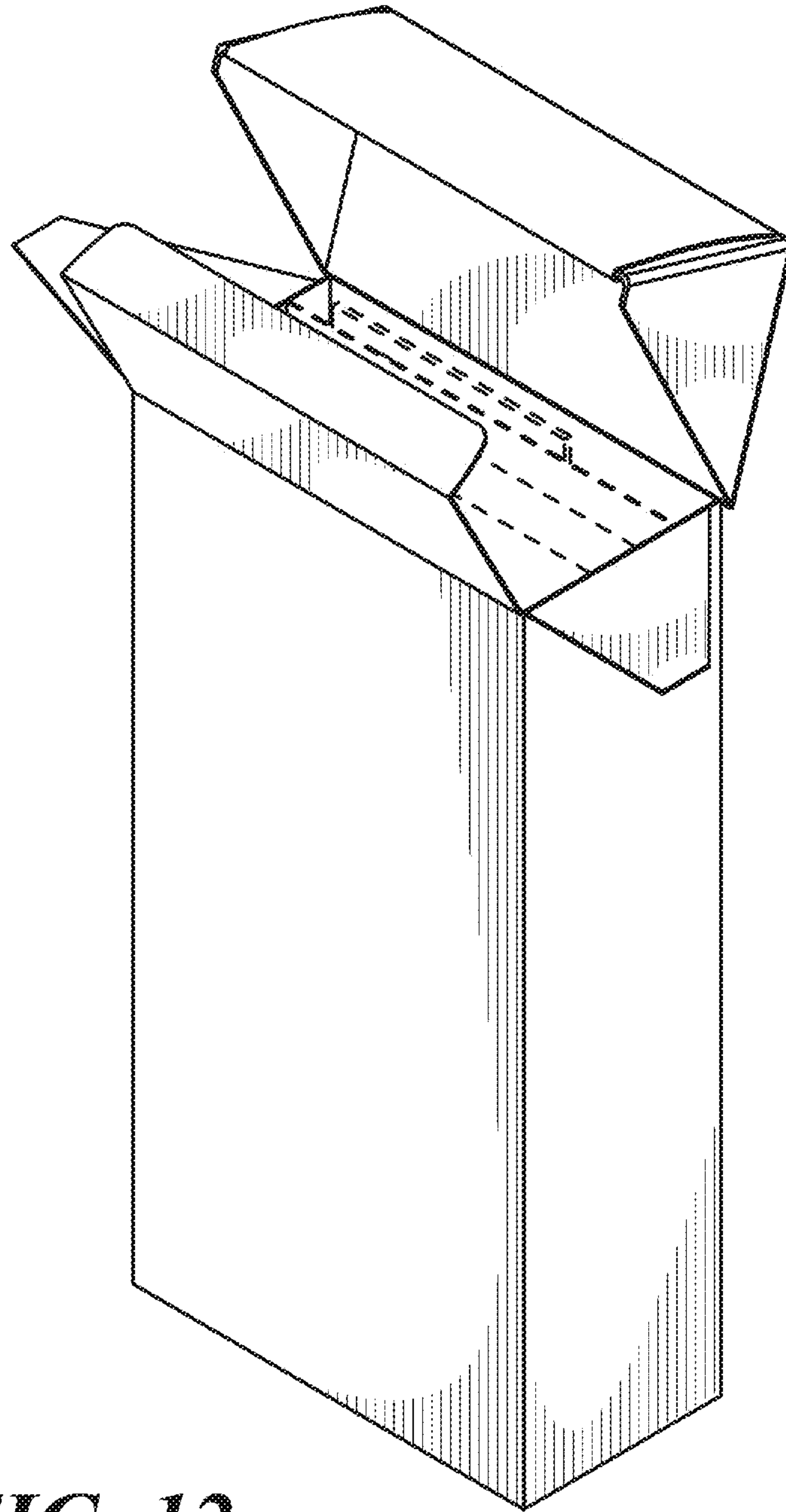


***FIG. 10***

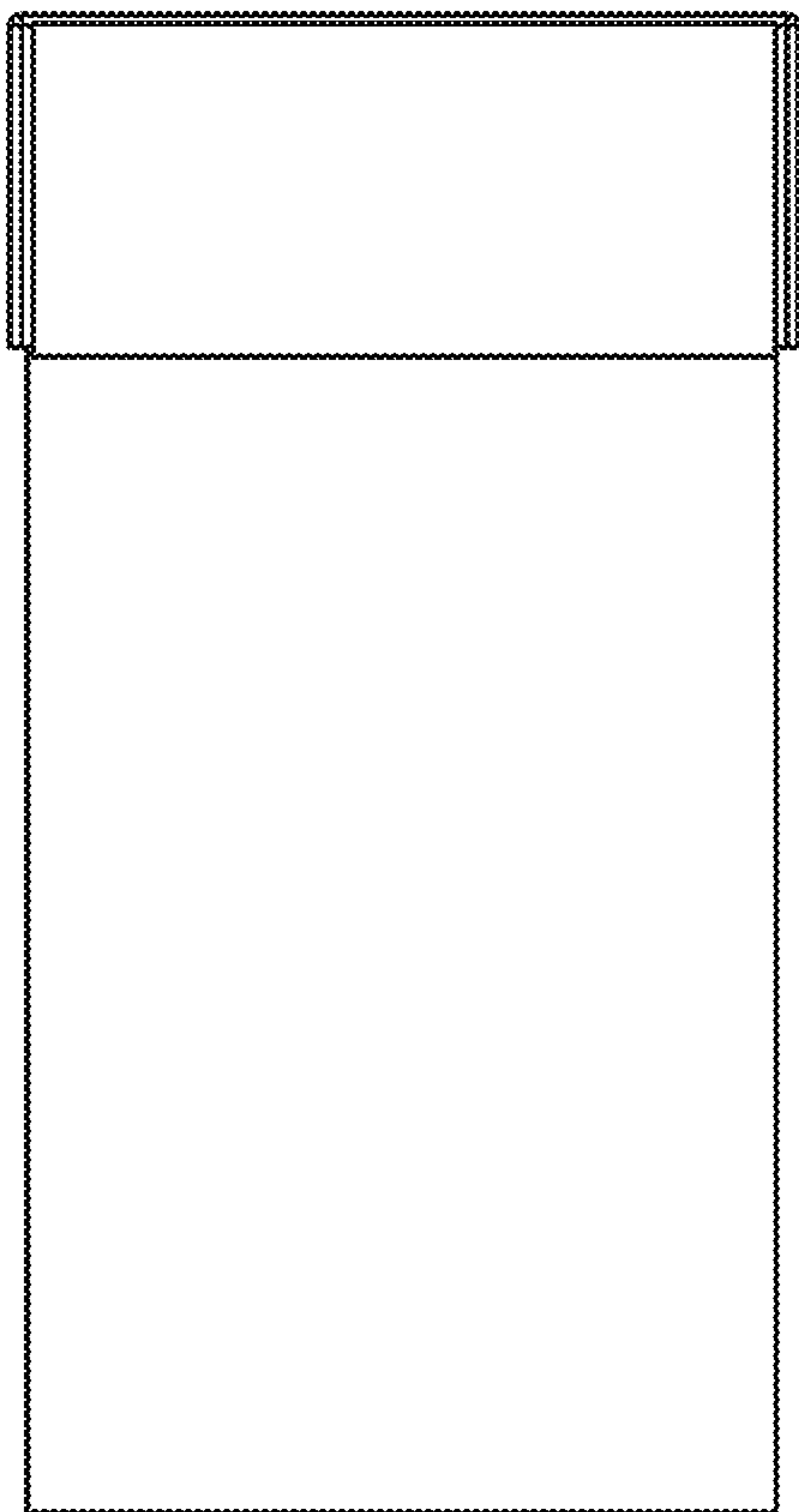




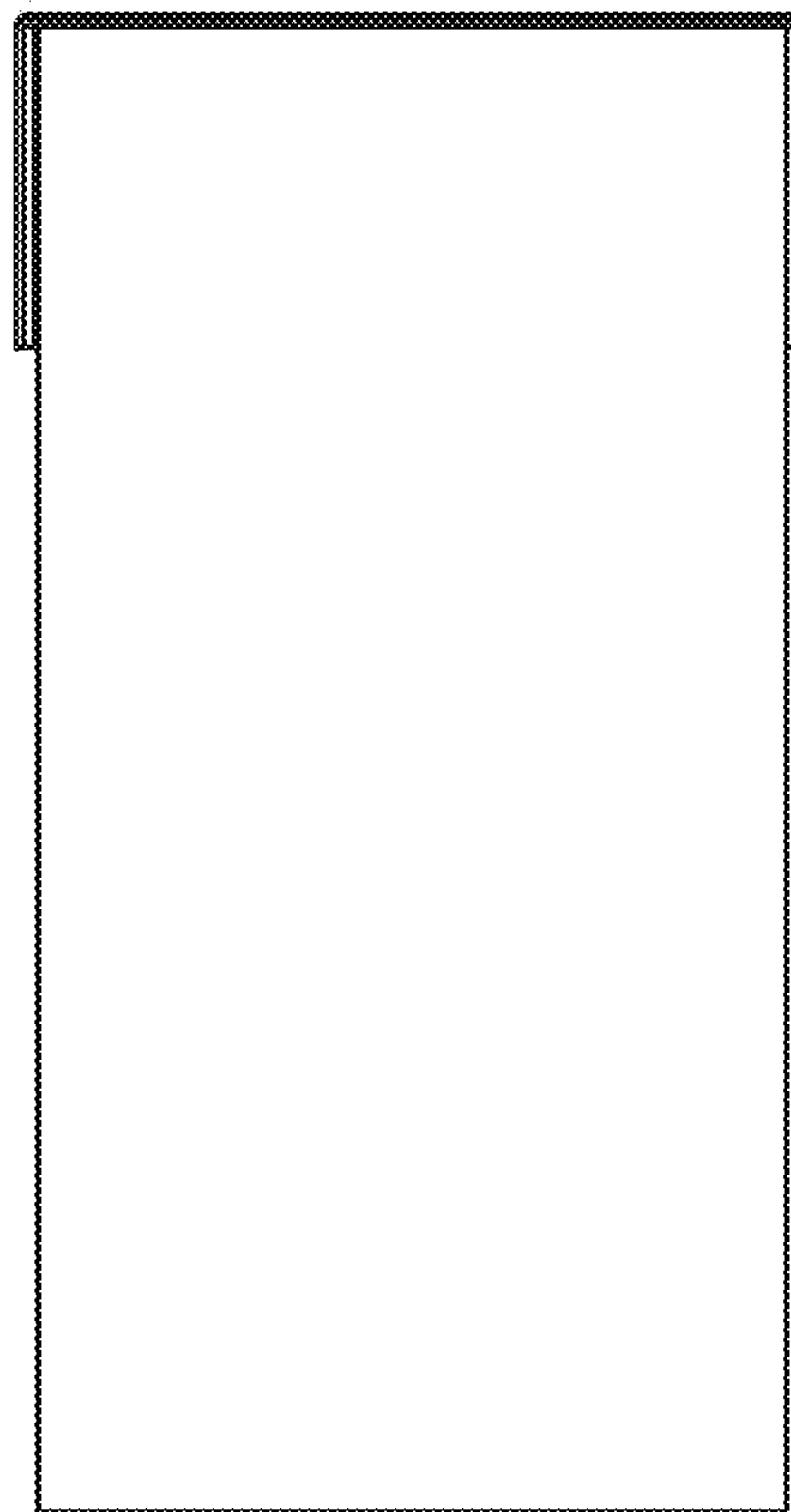
***FIG. 11***



***FIG. 12***



*FIG. 13*

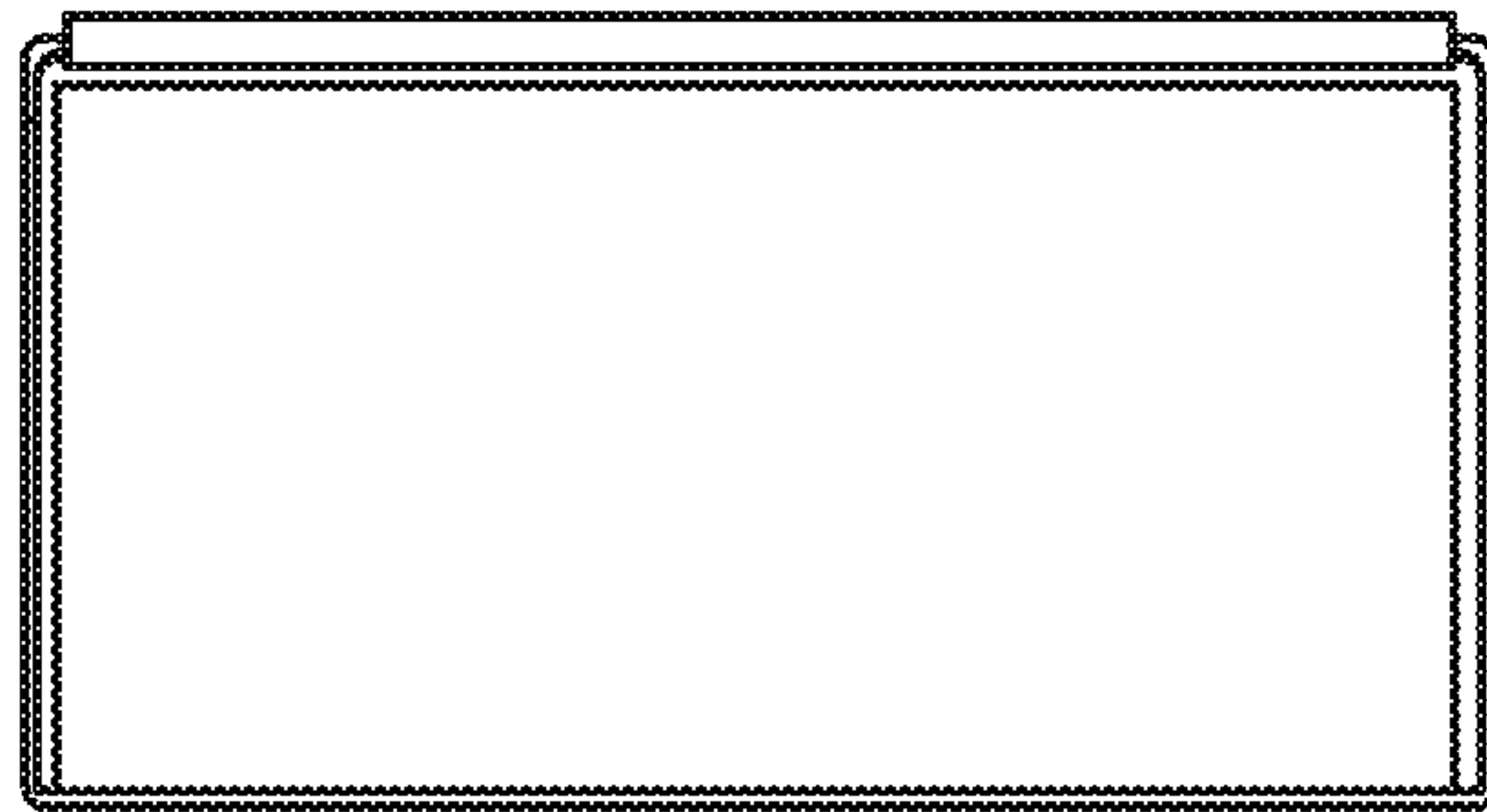


*FIG. 14*

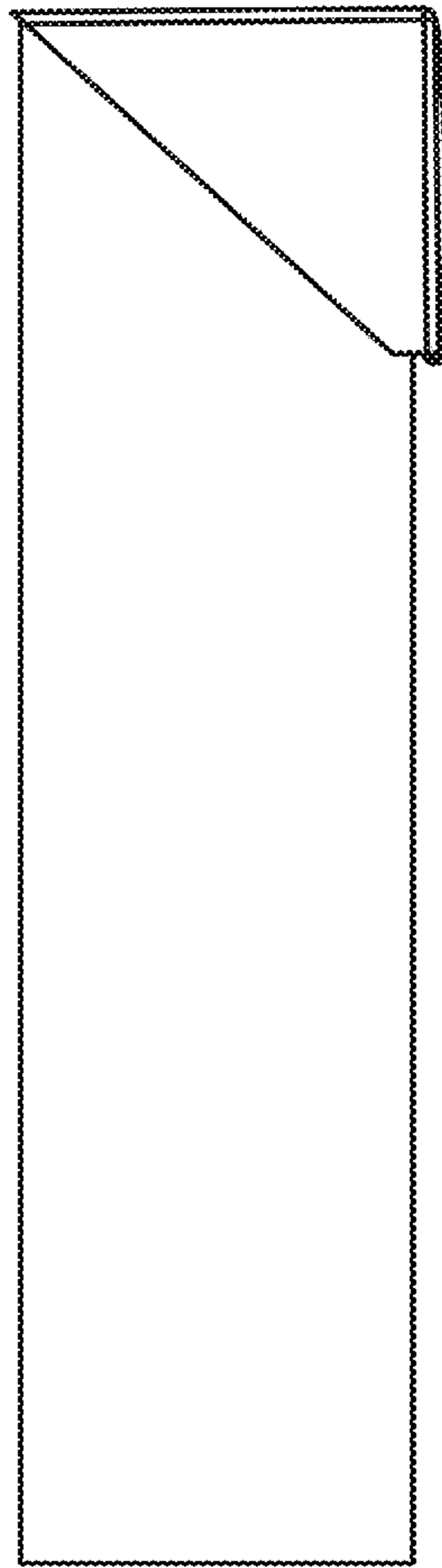




*FIG. 15*



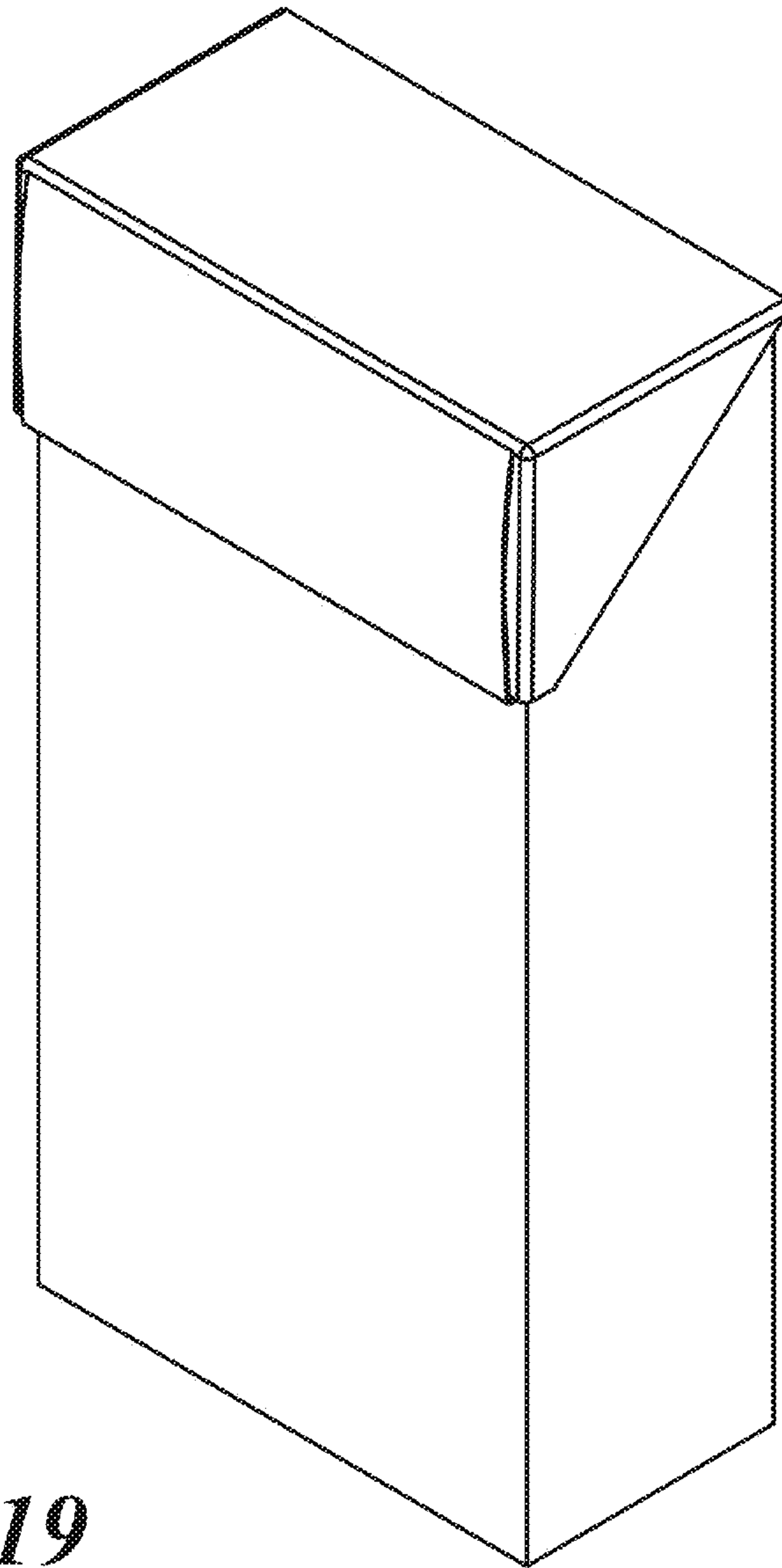
*FIG. 16*



***FIG. 17***

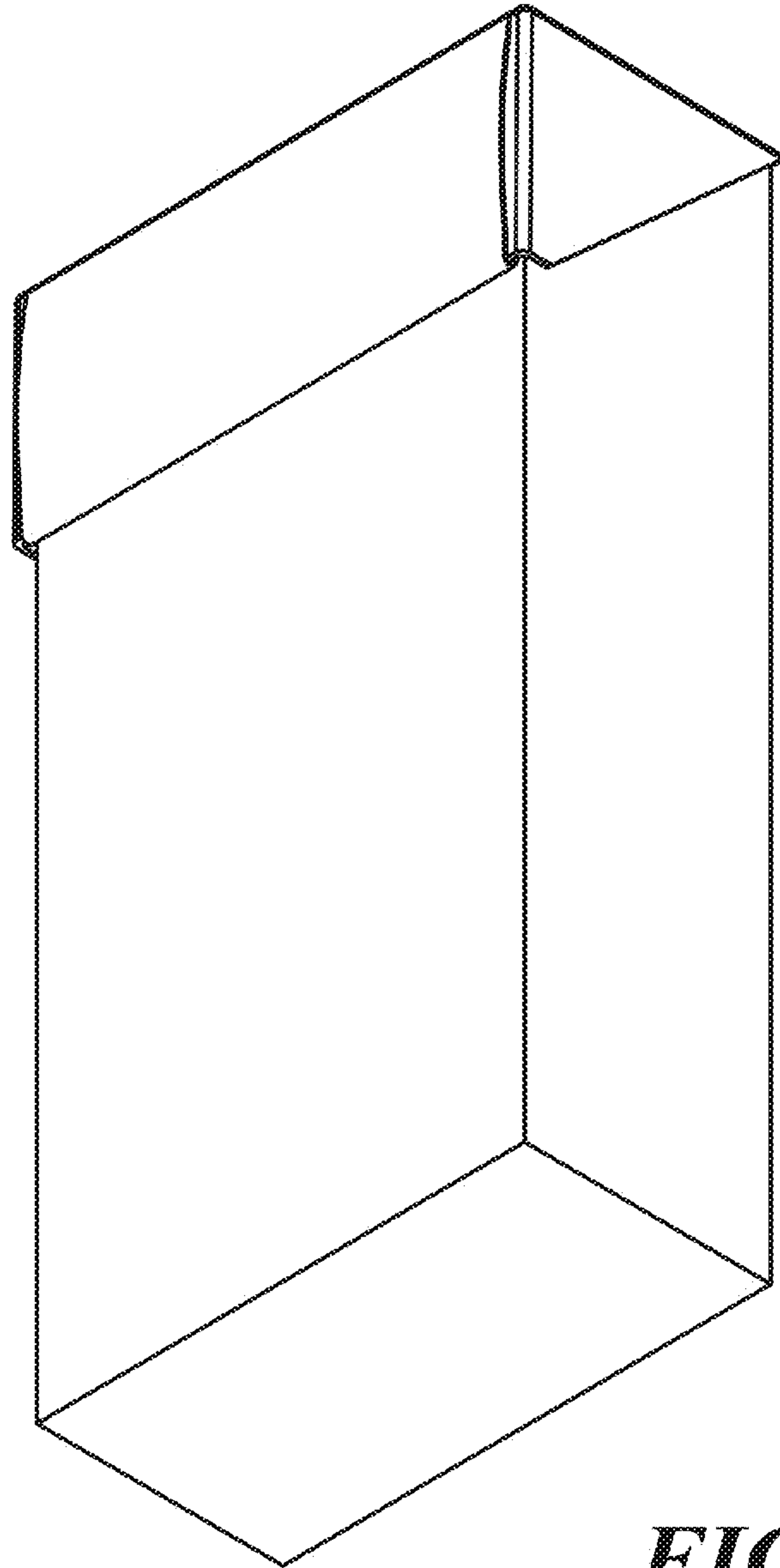


***FIG. 18***

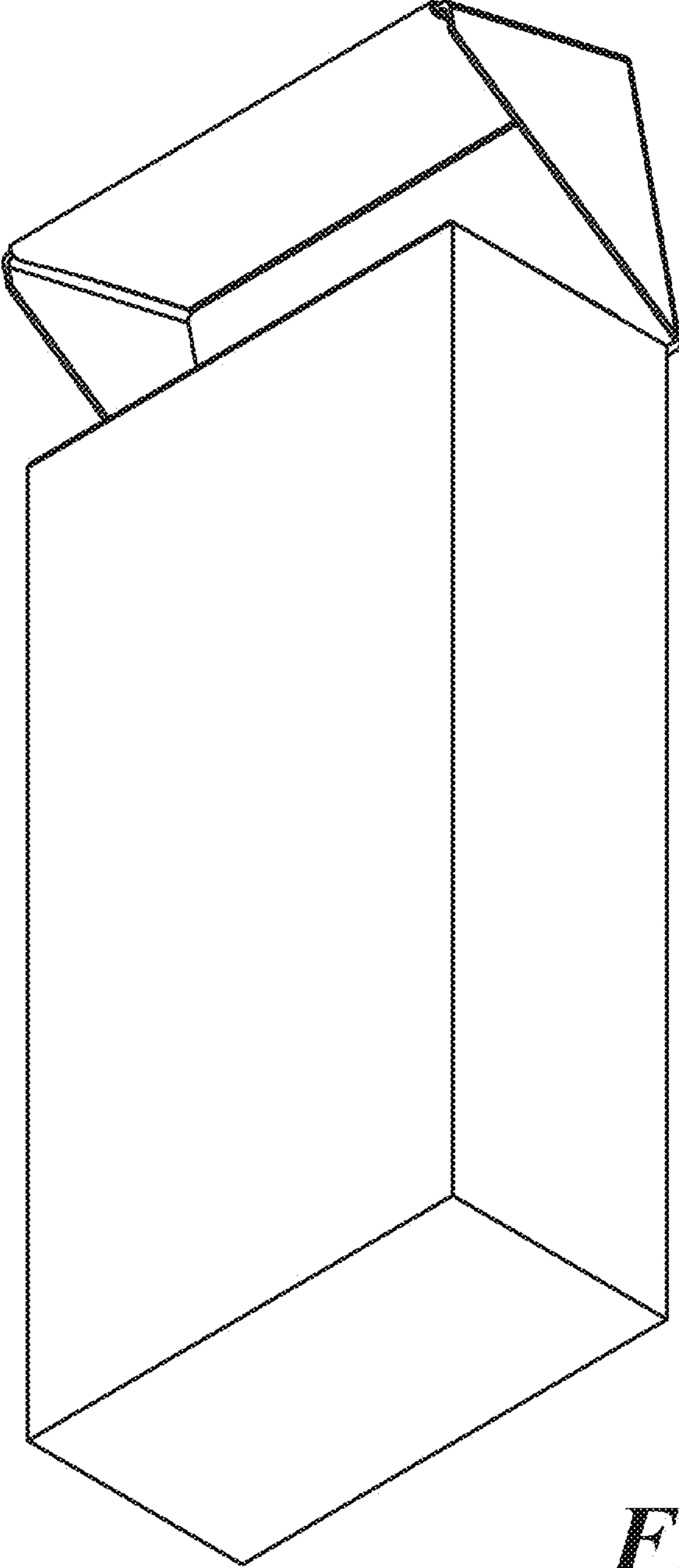


***FIG. 19***

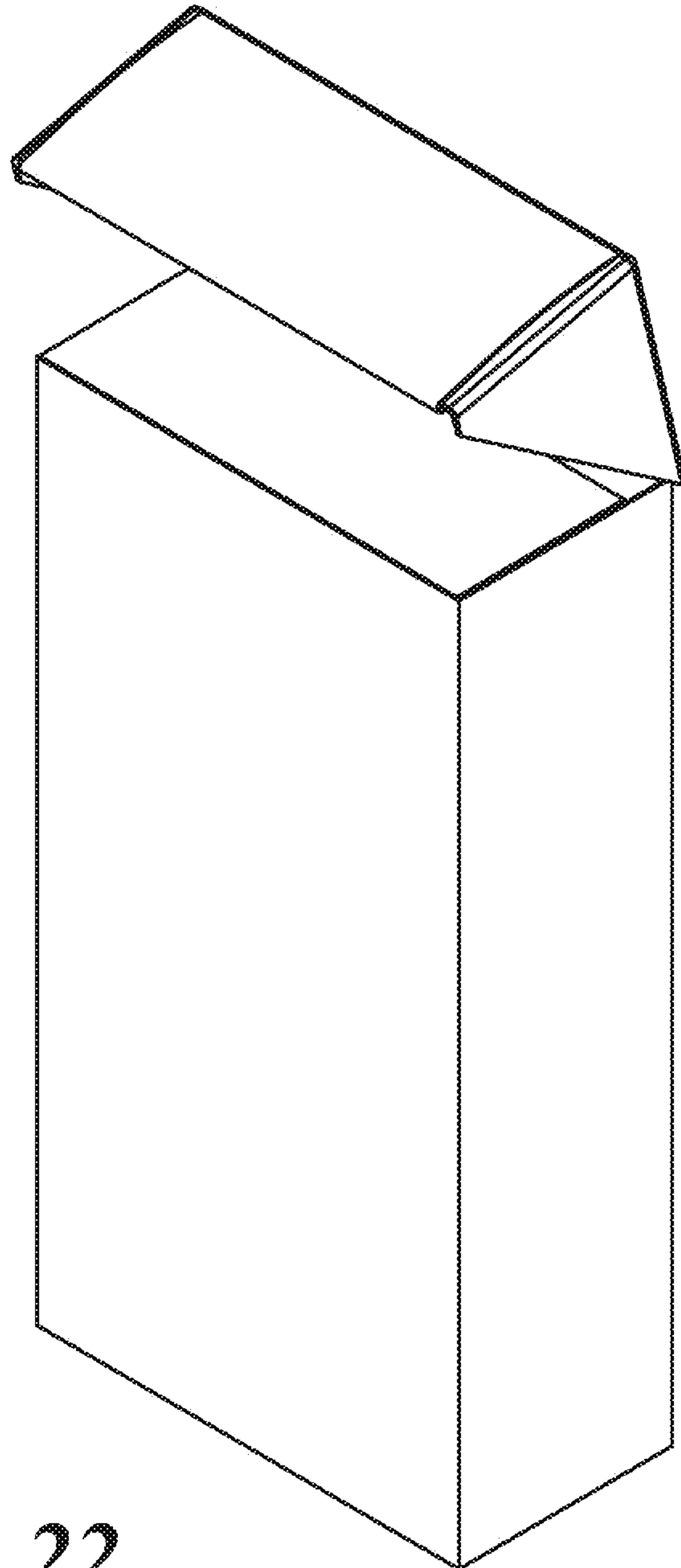




***FIG. 20***

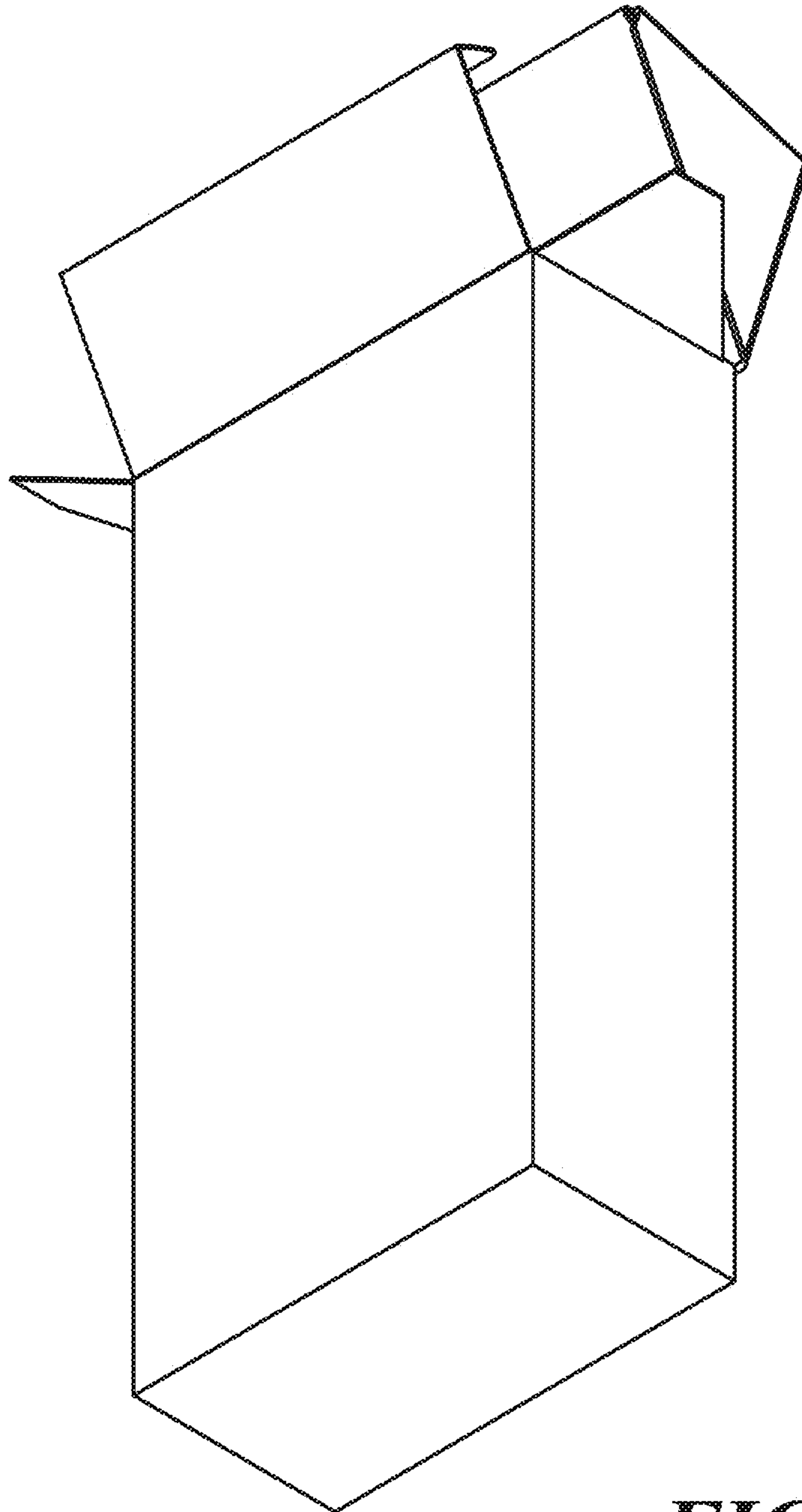


***FIG. 21***

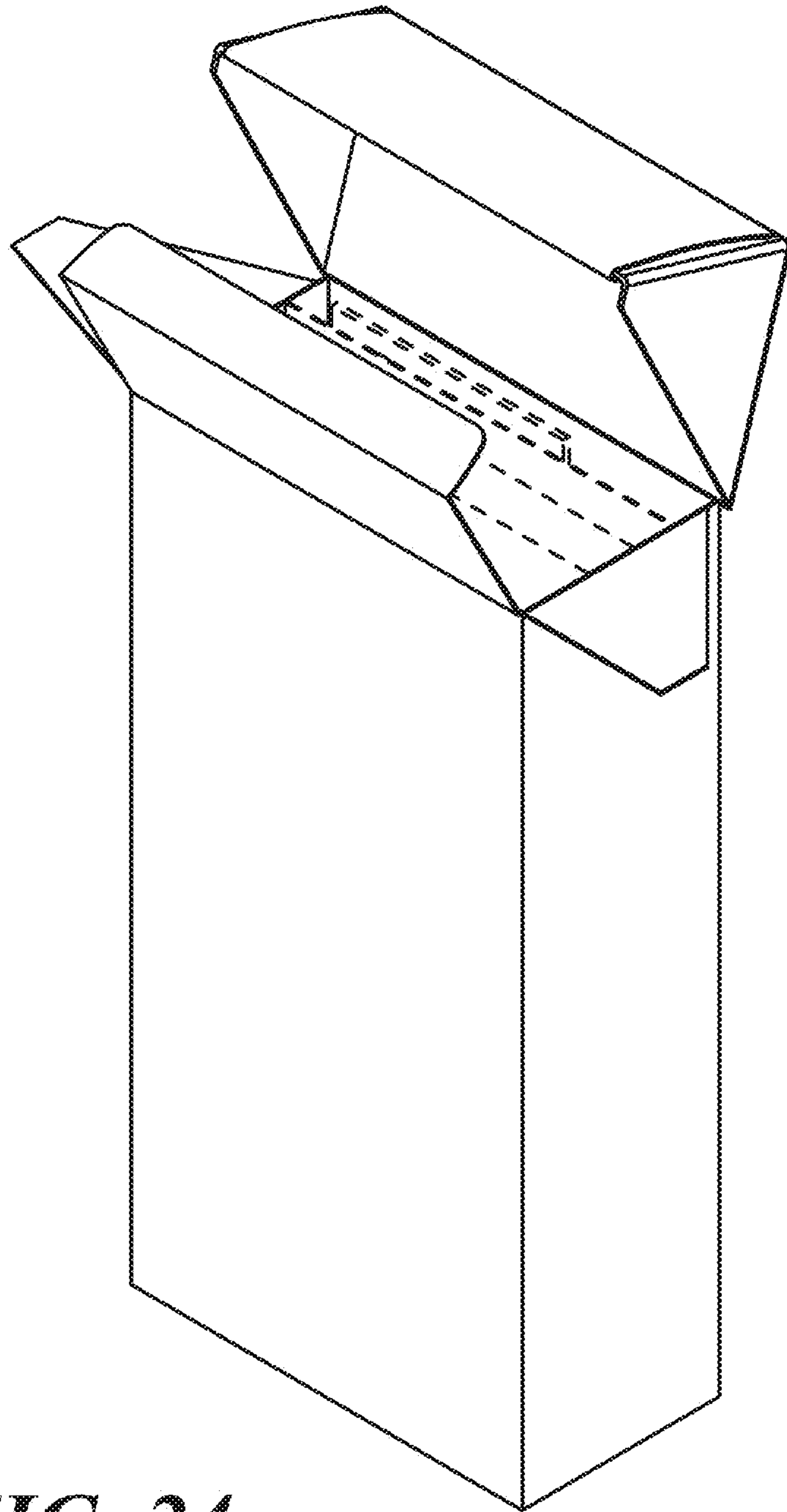


***FIG. 22***





***FIG. 23***



***FIG. 24***