



US00D748463S

(12) **United States Design Patent**  
**Turksu**

(10) **Patent No.:** **US D748,463 S**

(45) **Date of Patent:** **\*\* Feb. 2, 2016**

(54) **CLIP WITH SLIDE LOCK**

(71) Applicant: **SARIANA, LLC**, San Diego, CA (US)

(72) Inventor: **Alan Turksu**, San Diego, CA (US)

(73) Assignee: **SARIANA, LLC**, San Diego, CA (US)

(\*\*) Term: **14 Years**

(21) Appl. No.: **29/487,726**

(22) Filed: **Apr. 11, 2014**

(51) **LOC (10) Cl.** ..... **08-08**

(52) **U.S. Cl.**

USPC ..... **D8/395**; D8/394; D14/440

(58) **Field of Classification Search**

USPC ..... D8/394-396, 72; D19/56, 65;  
D32/60-64; D28/40; 24/67.3; D14/440

CPC ..... D06F 55/00; A44D 2203/00; A61B  
17/0664; A61B 17/04; A61B 17/265; A43D  
79/00; A41B 3/08; A41F 15/02; A62F 2/0063

See application file for complete search history.

(56) **References Cited**

**U.S. PATENT DOCUMENTS**

- 1,359,347 A \* 11/1920 Fleisher ..... E05B 17/2088  
292/346
- D254,594 S \* 4/1980 Picard ..... D8/341
- D285,772 S \* 9/1986 Oliver ..... D8/331
- 4,856,746 A \* 8/1989 Wrobel ..... A47B 96/068  
108/107

- D329,370 S \* 9/1992 Manning ..... D8/331
- 5,144,290 A \* 9/1992 Honda ..... G06F 1/1616  
16/306
- D353,532 S \* 12/1994 Miller ..... D8/341

\* cited by examiner

*Primary Examiner* — John Windmuller

(74) *Attorney, Agent, or Firm* — Wagenknecht IP Law Group PC

(57) **CLAIM**

What is claimed is an ornamental design for a clip with slide lock, substantially as shown and described.

**DESCRIPTION**

FIG. 1 is a front elevational view of a clip with slide lock showing my new design, wherein the clip is attached to a protective case and in an unlocked configuration;

FIG. 2 is a front, top, right perspective view thereof;

FIG. 3 is a right elevational view thereof;

FIG. 4 is a left elevational view thereof;

FIG. 5 is a top plan view thereof, wherein the protective case is in an open configuration;

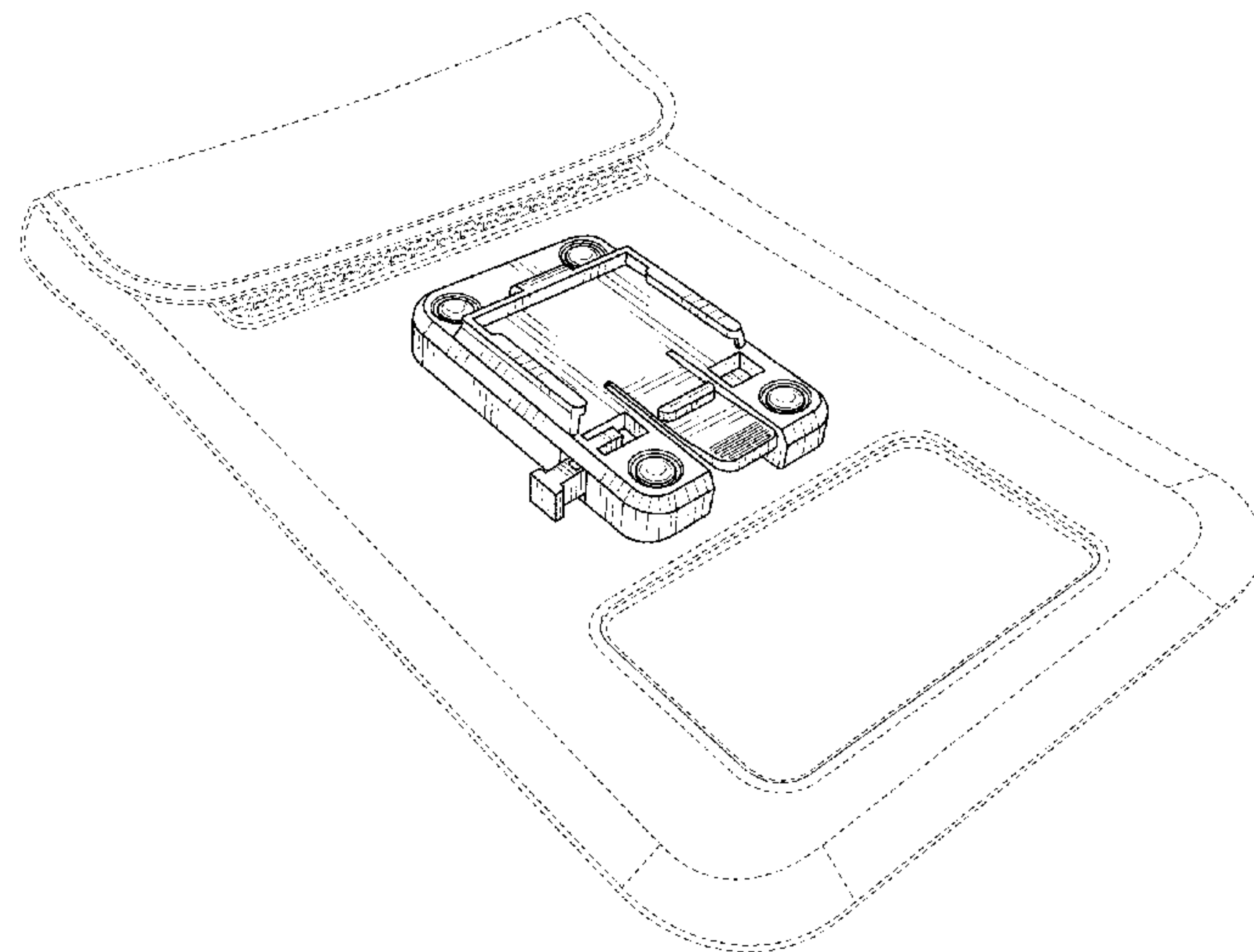
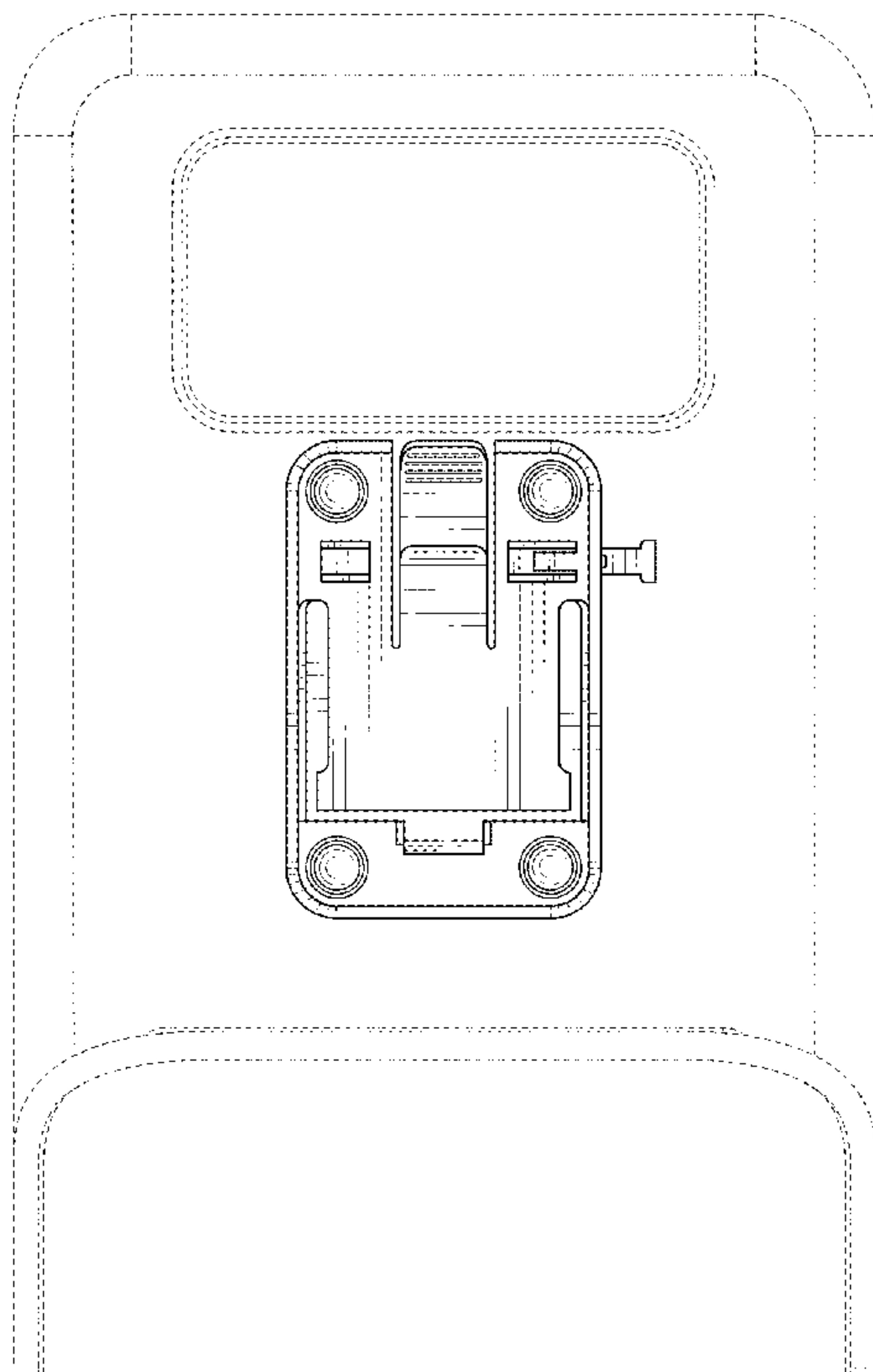
FIG. 6 is a bottom plan view thereof;

FIG. 7 is a front, top, right perspective thereof prior to mounting to a clamp; and,

FIG. 8 is a front, top, right perspective view of the clip with slide lock, wherein the clip is attached to a protective case, mounted to a clamp, and in a locked configuration.

The rear view of the clip forms no part of the claimed design. The broken lines represent environment only and form no part of the claimed design.

**1 Claim, 6 Drawing Sheets**



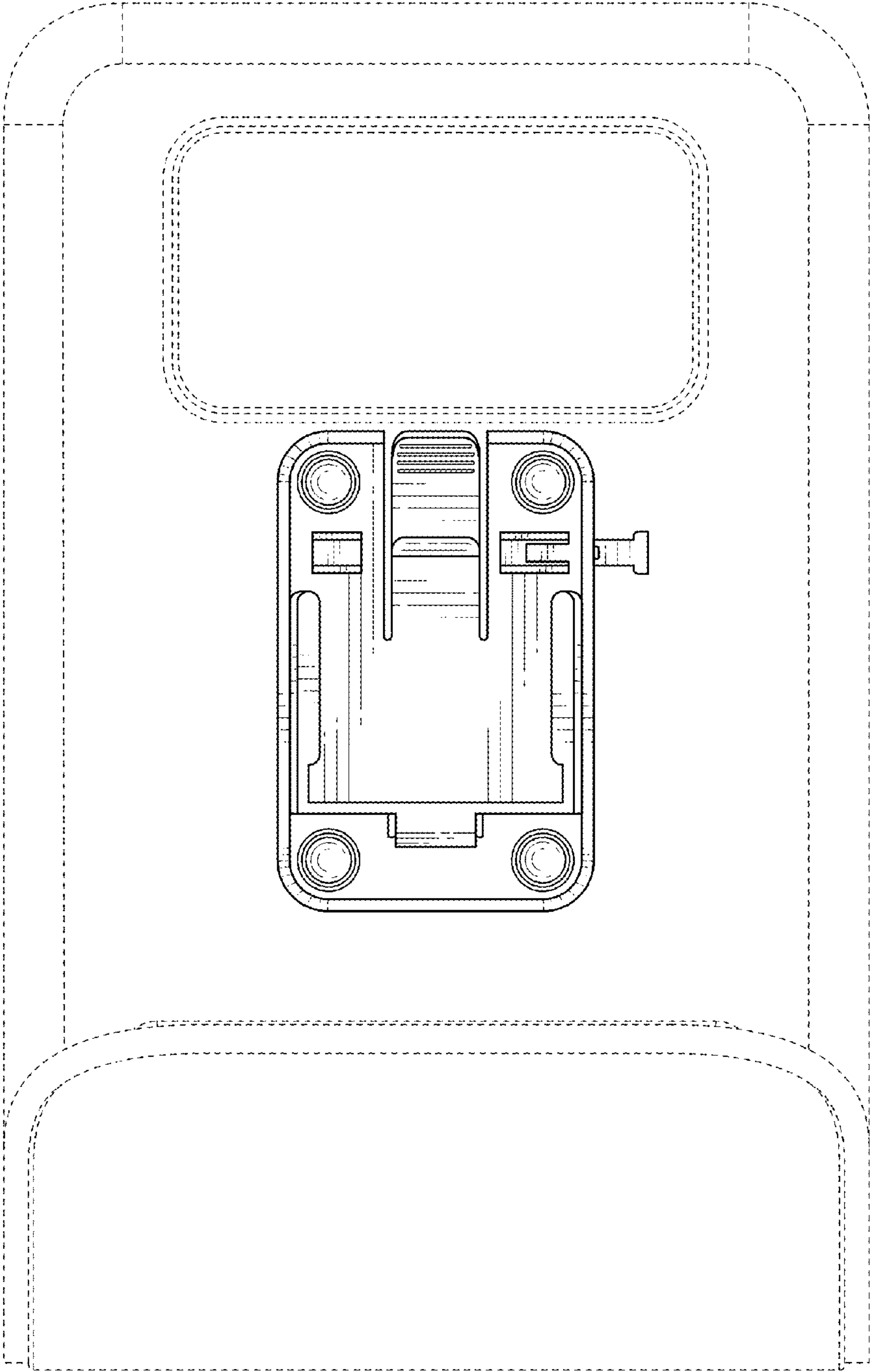


FIG. 1

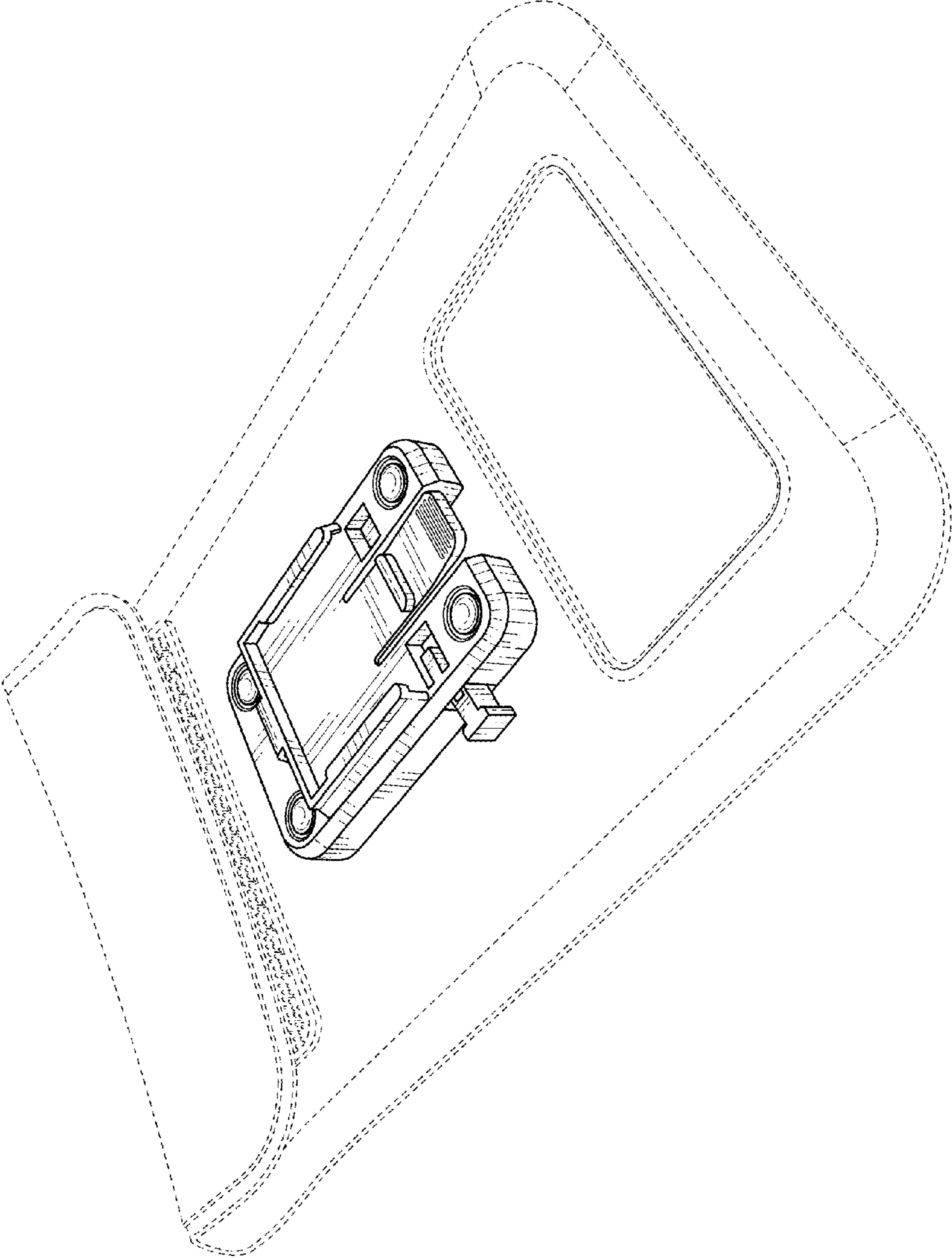


FIG. 2

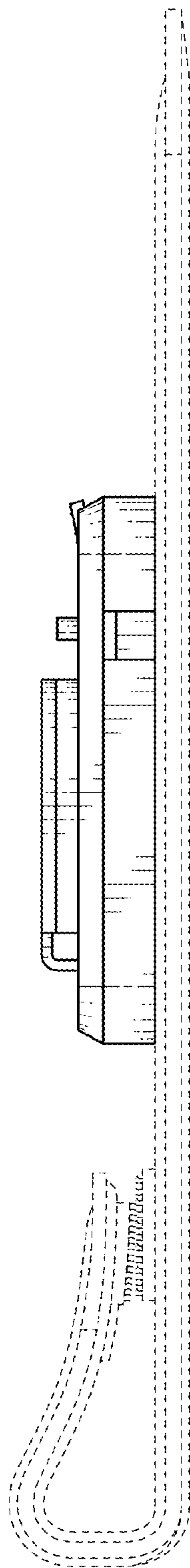


FIG. 3

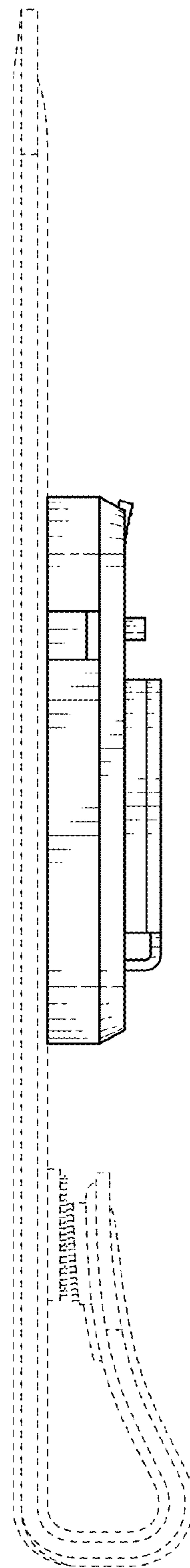


FIG. 4



FIG. 5

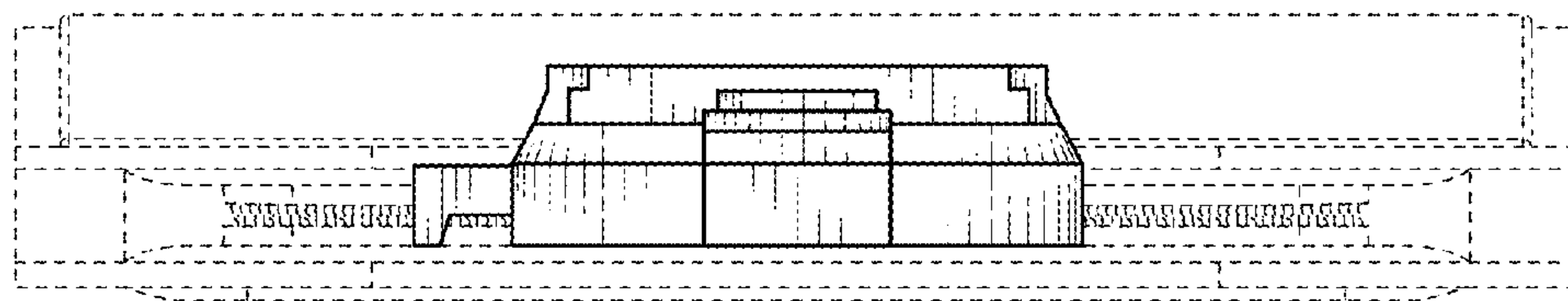


FIG. 6



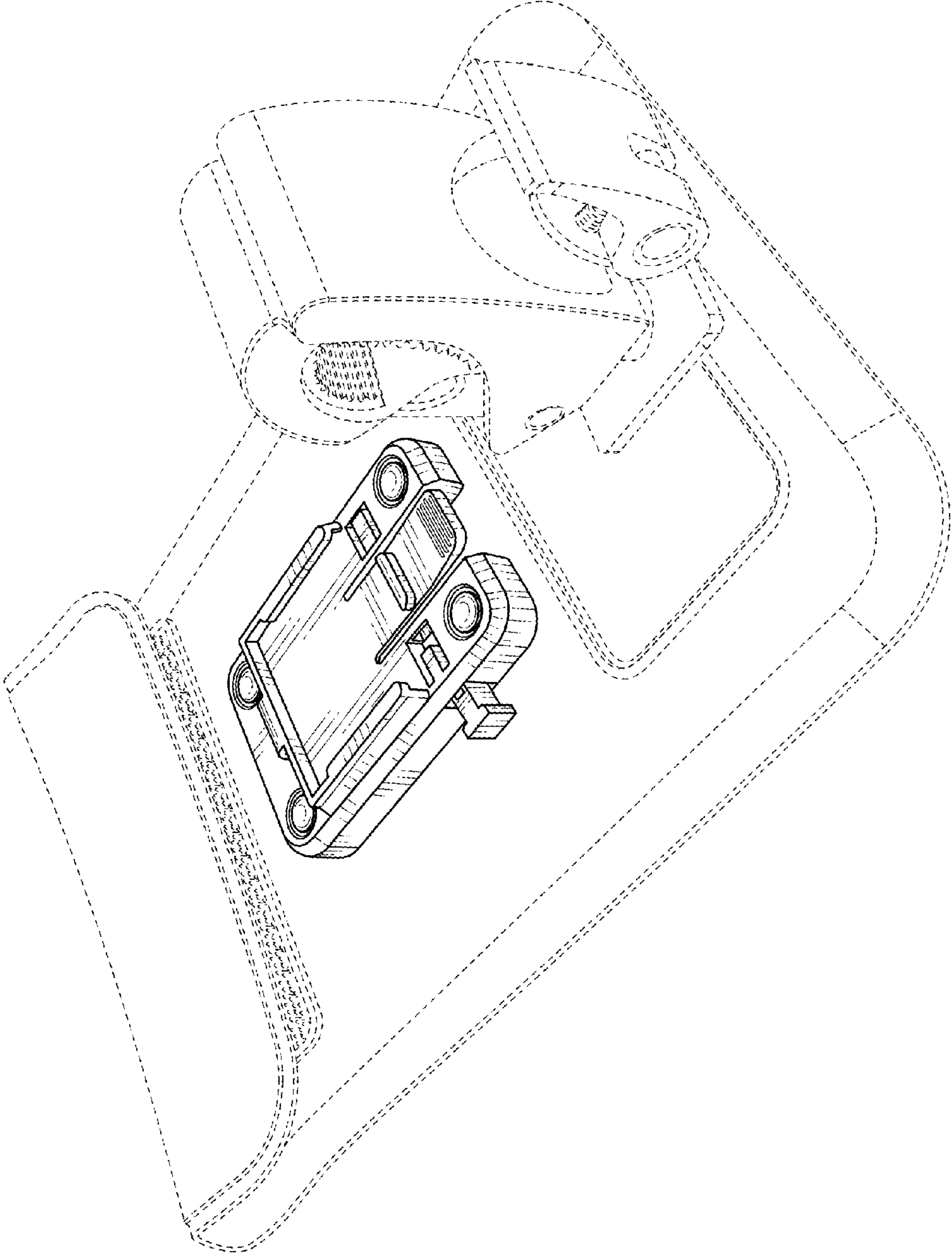


FIG. 7

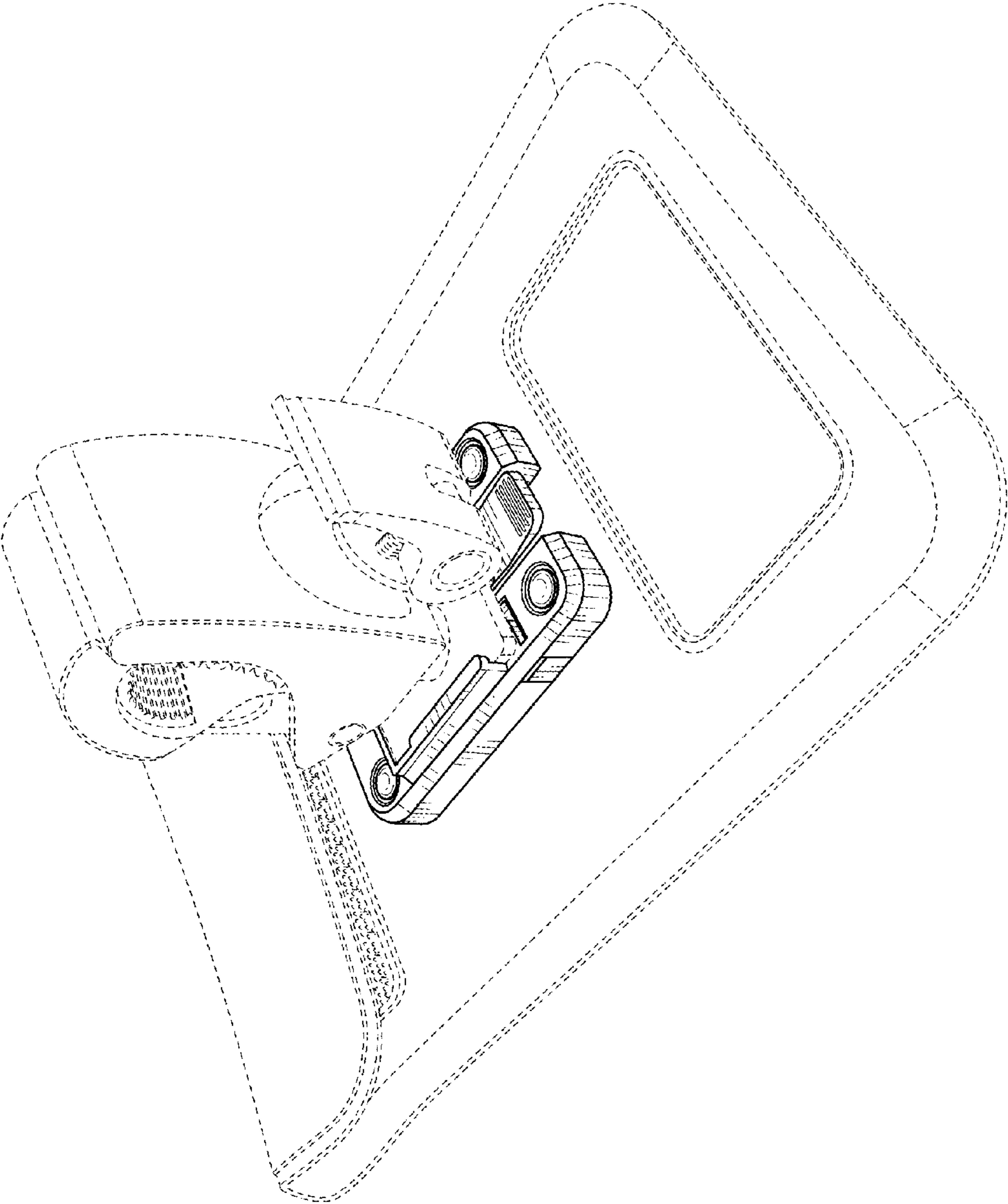


FIG. 8