



US00D748462S

(12) **United States Design Patent**
Taghizadeh et al.

(10) **Patent No.:** **US D748,462 S**
(45) **Date of Patent:** **** Feb. 2, 2016**

(54) **CENTRIFUGE CLIP**

(71) Applicant: **AuxoCell Laboratories, Inc.**,
Cambridge, MA (US)

(72) Inventors: **Rouzbeh R. Taghizadeh**, Cambridge,
MA (US); **Paul Puniello**, Providence, RI
(US)

(73) Assignee: **AUXOCELL LABORATORIES, INC.**,
Cambridge, MA (US)

(**) Term: **14 Years**

(21) Appl. No.: **29/499,009**

(22) Filed: **Aug. 11, 2014**

(51) **LOC (10) Cl.** **08-08**

(52) **U.S. Cl.**
USPC **D8/394**

(58) **Field of Classification Search**
USPC D8/394-396, 71-74, 499, 354-355;
D9/434-435, 443-445
See application file for complete search history.

(56) **References Cited**

U.S. PATENT DOCUMENTS

1,389,604	A *	9/1921	Silverman	24/710.7
3,171,184	A *	3/1965	Posse	606/120
3,257,726	A *	6/1966	Longobardi	30/331
3,380,499	A	4/1968	Vocci et al.		
3,666,187	A	5/1972	Norris		
4,151,959	A	5/1979	Deister		
4,307,846	A	12/1981	Spelberg		
4,487,205	A *	12/1984	Di Giovanni et al.	606/158

(Continued)

FOREIGN PATENT DOCUMENTS

CN 301991717 * 7/2012
CN 301991762 * 7/2012

(Continued)

OTHER PUBLICATIONS

Amazon Customer Reviews Ikea Sealing Clip, review date Dec. 10, 2013, online, http://www.amazon.com/Ikea-Sealing-402-312-87-Assorted-Colors/dp/9178900549/ref=cm_cr_pr_product_top?ie=UTF8, [site visited Jun. 24, 2015 5:05:52 PM].*

(Continued)

Primary Examiner — John Windmuller

Assistant Examiner — John R Yeh

(74) *Attorney, Agent, or Firm* — Calfee, Halter & Griswold LLP

(57) **CLAIM**

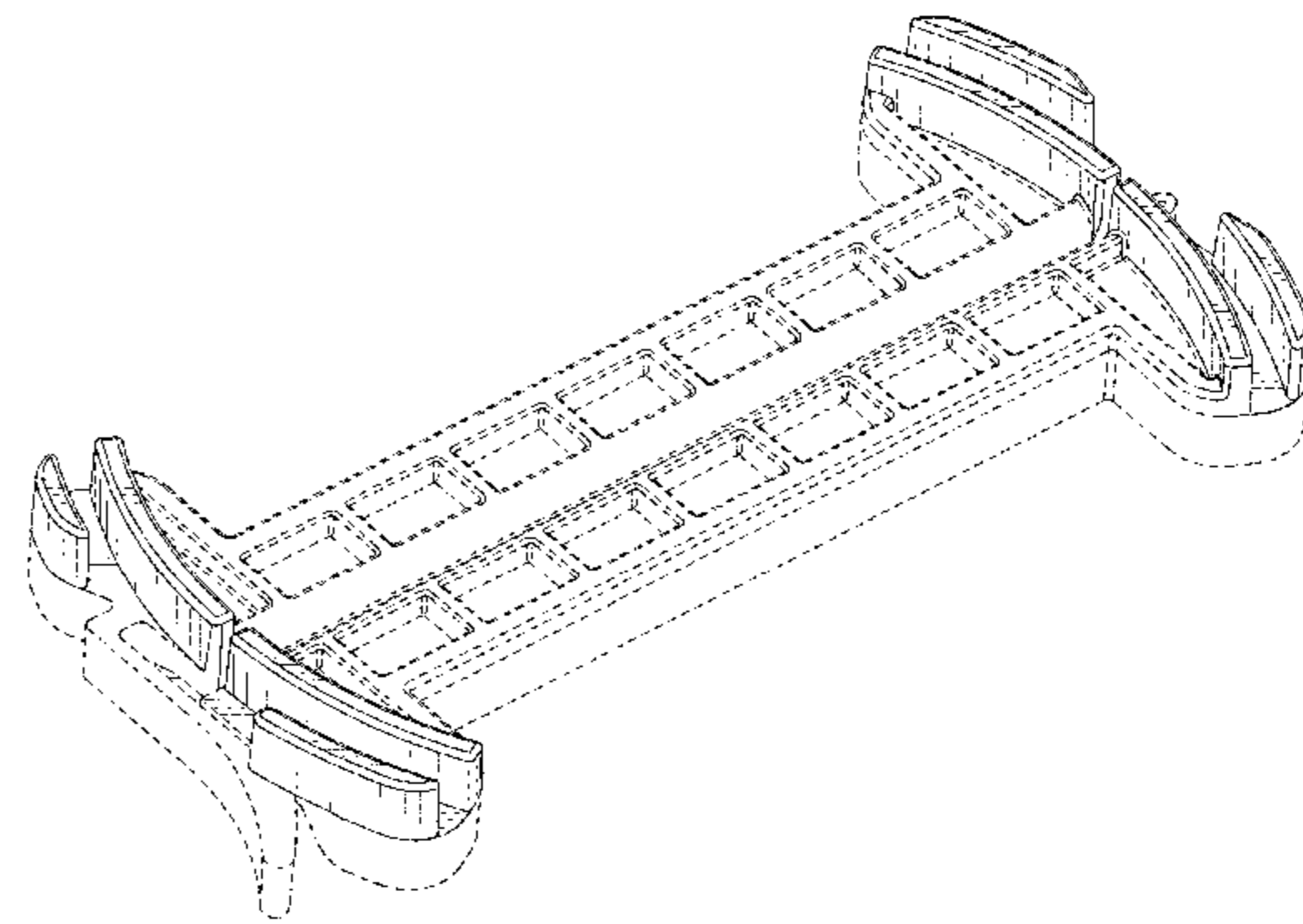
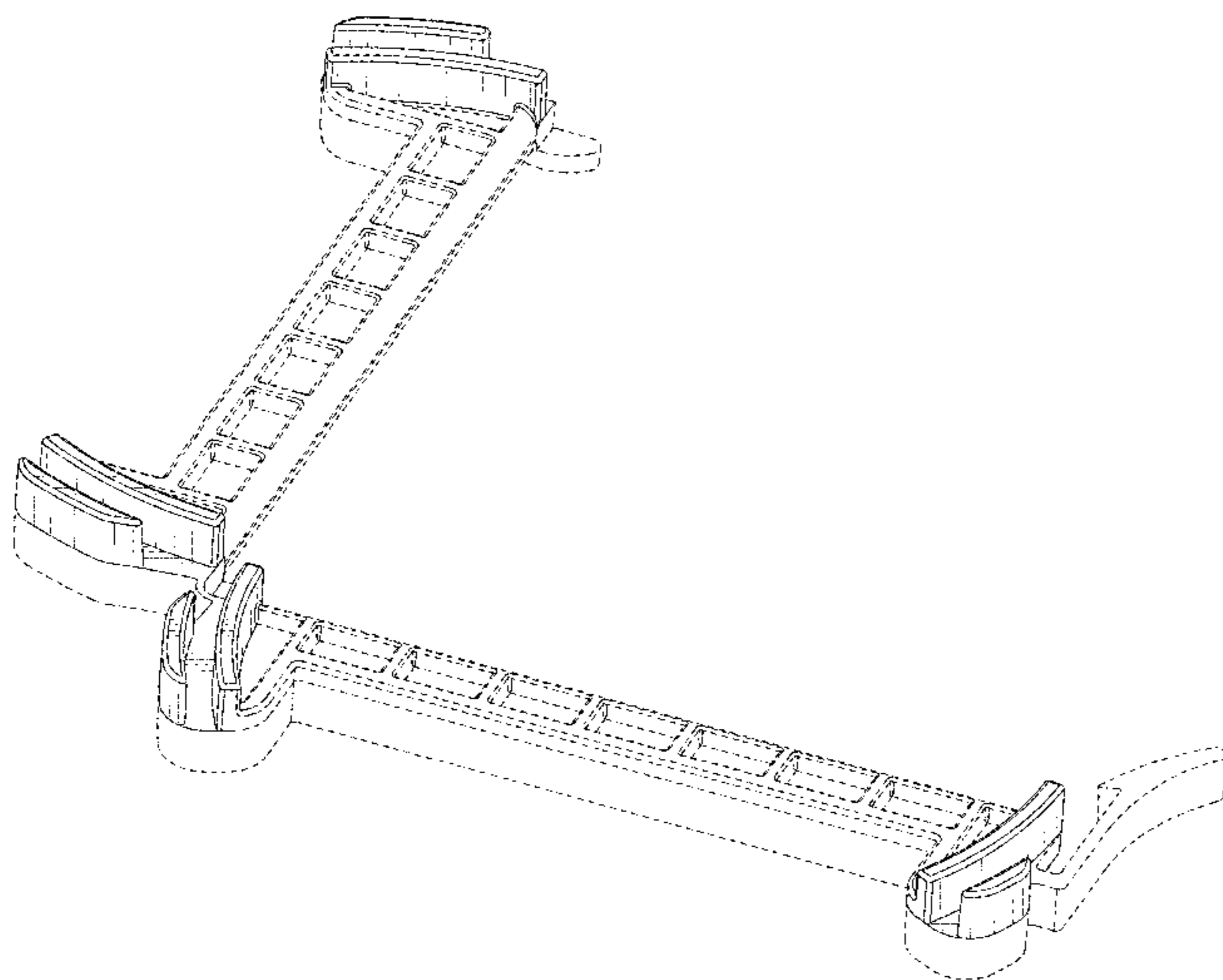
We claim the ornamental design for a centrifuge clip, as shown and described.

DESCRIPTION

FIG. 1 is a bottom perspective view of a centrifuge clip of the new design, wherein the clip is shown in an open position; FIG. 2 is a bottom perspective view of the centrifuge clip of FIG. 1, wherein the clip is shown in a closed position; FIG. 3 is a top view of the centrifuge clip of FIG. 1; FIG. 4 is a left side view of the centrifuge clip of FIG. 1; FIG. 5 is a bottom view of the centrifuge clip of FIG. 1; FIG. 6 is a right side view of the centrifuge clip of FIG. 1; FIG. 7 is a front view of the centrifuge clip of FIG. 1; and, FIG. 8 is a rear view of the centrifuge clip of FIG. 1.

The portions of the Figures shown in broken lines are for illustrative purpose only and form no part of the claimed design.

1 Claim, 5 Drawing Sheets



(56)

References Cited

U.S. PATENT DOCUMENTS

4,509,695 A 4/1985 Bessman
 D284,810 S * 7/1986 Kelemen, Sr. D3/315
 D299,008 S * 12/1988 Naslund D9/443
 4,828,395 A 5/1989 Saito et al.
 4,887,335 A * 12/1989 Folkmar 24/30.5 R
 5,428,871 A * 7/1995 Iosif 24/30.5 R
 5,604,959 A * 2/1997 Bowen 24/30.5 R
 D384,459 S * 9/1997 Eisenman D32/61
 D390,447 S * 2/1998 Colen, Jr. D8/356
 5,713,108 A * 2/1998 Solomon et al. 24/30.5 R
 5,731,199 A 3/1998 Roggero et al.
 D423,353 S * 4/2000 Blanchard et al. D9/435
 6,120,474 A 9/2000 Okuda et al.
 6,138,425 A * 10/2000 Wendt 52/506.07
 6,786,739 B2 * 9/2004 Frutschy et al. 439/73
 6,817,750 B1 11/2004 Sands
 6,863,431 B2 3/2005 Yacko et al.
 6,863,675 B2 * 3/2005 Wilson, Jr. 606/157
 6,890,728 B2 5/2005 Dolecek et al.
 7,052,172 B2 5/2006 Jahn et al.
 7,060,494 B2 6/2006 Bhat
 7,062,822 B2 * 6/2006 Folkmar 24/30.5 R
 7,172,334 B2 2/2007 Chiappetta
 7,270,284 B2 9/2007 Liao et al.
 7,306,741 B2 12/2007 Dolecek et al.
 7,326,223 B2 * 2/2008 Wilson, Jr. 606/157
 7,611,473 B2 11/2009 Boock et al.
 D605,361 S * 12/2009 Hsu D28/42
 D625,174 S * 10/2010 Karekar et al. D8/394
 7,897,388 B2 3/2011 Shetty et al.
 8,034,003 B2 10/2011 Pesce et al.
 8,048,952 B2 11/2011 Wynne et al.
 8,119,121 B2 2/2012 Fraser et al.
 8,278,102 B2 10/2012 Ennis et al.
 8,367,409 B2 2/2013 Abbot et al.
 D716,601 S 11/2014 Tagizadeh
 D717,587 S 11/2014 Tagizadeh
 8,893,995 B2 11/2014 Taghizadeh et al.
 2002/0197631 A1 12/2002 Lawrence et al.
 2003/0054331 A1 3/2003 Fraser et al.
 2003/0161818 A1 8/2003 Weiss et al.
 2004/0193071 A1 9/2004 Binette et al.
 2004/0197367 A1 10/2004 Rezanian et al.
 2005/0139704 A1 6/2005 Liao et al.
 2005/0148074 A1 7/2005 Davies et al.
 2006/0192038 A1 8/2006 Sekine
 2007/0082389 A1 4/2007 Clark et al.
 2007/0259330 A1 11/2007 Goddard et al.
 2008/0069895 A1 3/2008 Liu et al.
 2008/0118477 A1 5/2008 Christopherson
 2008/0132803 A1 6/2008 Friedlander
 2008/0152630 A1 6/2008 Ginis et al.
 2008/0196602 A1 8/2008 Sands
 2008/0274087 A1 11/2008 Li et al.
 2008/0305148 A1 12/2008 Fu
 2009/0022696 A1 1/2009 Bernstein et al.
 2009/0068153 A1 3/2009 Vitelli et al.
 2009/0074731 A1 3/2009 Librach et al.
 2009/0081171 A1 3/2009 Fu et al.
 2009/0124007 A1 5/2009 Cho
 2009/0136988 A1 5/2009 Reschiglian et al.
 2009/0142835 A1 6/2009 Kobayashi et al.
 2009/0170059 A1 7/2009 Klingemann
 2009/0232781 A1 9/2009 Fu
 2009/0232782 A1 9/2009 Fu
 2009/0280093 A1 11/2009 Friedlander
 2009/0291061 A1 11/2009 Riordan et al.
 2010/0034783 A1 2/2010 Son et al.

2010/0098675 A1 4/2010 Tankovich
 2010/0104539 A1 4/2010 Daniel et al.
 2010/0247495 A1 9/2010 Ichim et al.
 2010/0326460 A1 * 12/2010 Hsu 132/277
 2011/0002883 A1 1/2011 Petrikovsky et al.
 2011/0112559 A1 * 5/2011 Monassevitch et al. 606/151
 2011/0151556 A1 6/2011 Kallis et al.
 2011/0158969 A1 6/2011 Chopp
 2011/0189254 A1 8/2011 Liu et al.
 2011/0256186 A1 10/2011 Font Perez et al.
 2011/0274664 A1 11/2011 Harn et al.
 2011/0293667 A1 12/2011 Baksh et al.
 2011/0312091 A1 12/2011 Zhao et al.
 2012/0073090 A1 * 3/2012 Szellos 24/489
 2012/0083803 A1 * 4/2012 Patel et al. 606/142
 2012/0093783 A1 4/2012 Pinkernell et al.
 2012/0095484 A1 * 4/2012 Dominguez 606/157
 2012/0141595 A1 6/2012 Tseng et al.
 2012/0171762 A1 7/2012 Coelho et al.
 2012/0189583 A1 7/2012 Liu et al.
 2012/0214659 A1 8/2012 Do et al.
 2012/0258459 A1 10/2012 Huang
 2012/0270314 A1 10/2012 Ding et al.
 2012/0276215 A1 11/2012 Riordan et al.
 2012/0276518 A1 11/2012 Gillis
 2012/0294909 A1 11/2012 Daniel et al.
 2012/0315259 A1 12/2012 Friedlander
 2013/0034524 A1 2/2013 Agha-Mohammadi
 2013/0059286 A1 3/2013 Chang et al.
 2013/0059383 A1 3/2013 Dijkhuizen Borgart et al.
 2013/0121972 A1 5/2013 Taghizadeh
 2013/0183273 A1 7/2013 Taghizadeh
 2013/0295673 A1 11/2013 Taghizadeh

FOREIGN PATENT DOCUMENTS

EP 1228806 A1 8/2002
 EP 1385609 A1 2/2004
 GB 1152418 A 5/1969
 GB 2024192 * 12/1992
 JP S6143981 3/1986
 JP S6143982 3/1986
 WO 03086598 A1 10/2003
 WO 2005030936 4/2005

OTHER PUBLICATIONS

Cardinal Health: BMP Cytology Funnel clip, google website publish date Sep. 2, 2008, online, <http://extww02a.cardinal.com/us/en/distributedproducts/ASP/B4200-597A.asp?cat=laboratory>, [site visited Jun. 24, 2015 8:37:27 PM].*

Dialysis Tubing Closure | Carolina.com, customer review date Jan. 27, 2010, online, <http://www.carolina.com/dialysis-tubing/dialysis-tubing-closure/684239.pr>, [site visited Jun. 24, 2015 9:48:41 PM].* website printout—Qosina: A supplier of disposable medical components; Clips, Closure Clips; Complete category listing and component information; <http://www.qosina.com/catalog/categoryparts.asp?Clips,%20Closure%20Clips>; copyright 2014; 12 pages.

International Search Report and Written Opinion for PCT/US2012/064130, mailed Jan. 25, 2013, 16 pages.

Castaneda, "Laboratory Diagnosis of Brucellosis in Man" Bull. Org. Mond. Bull. Wld. Hth Org. Sante, 1961, 24, pp. 73-84.

Fossum et al., "Minced Skin for Tissue Engineering of Epithelialized Subcutaneous Tunnels" Tissue Eng Part A., Aug. 2009; 15(8):pp. 2085-2092.

D'Allessandris et al., "Autoclavable Dispensing Device" Air Force Aerospace Medical Research Laboratory, Feb. 1980, 8 pages.

* cited by examiner

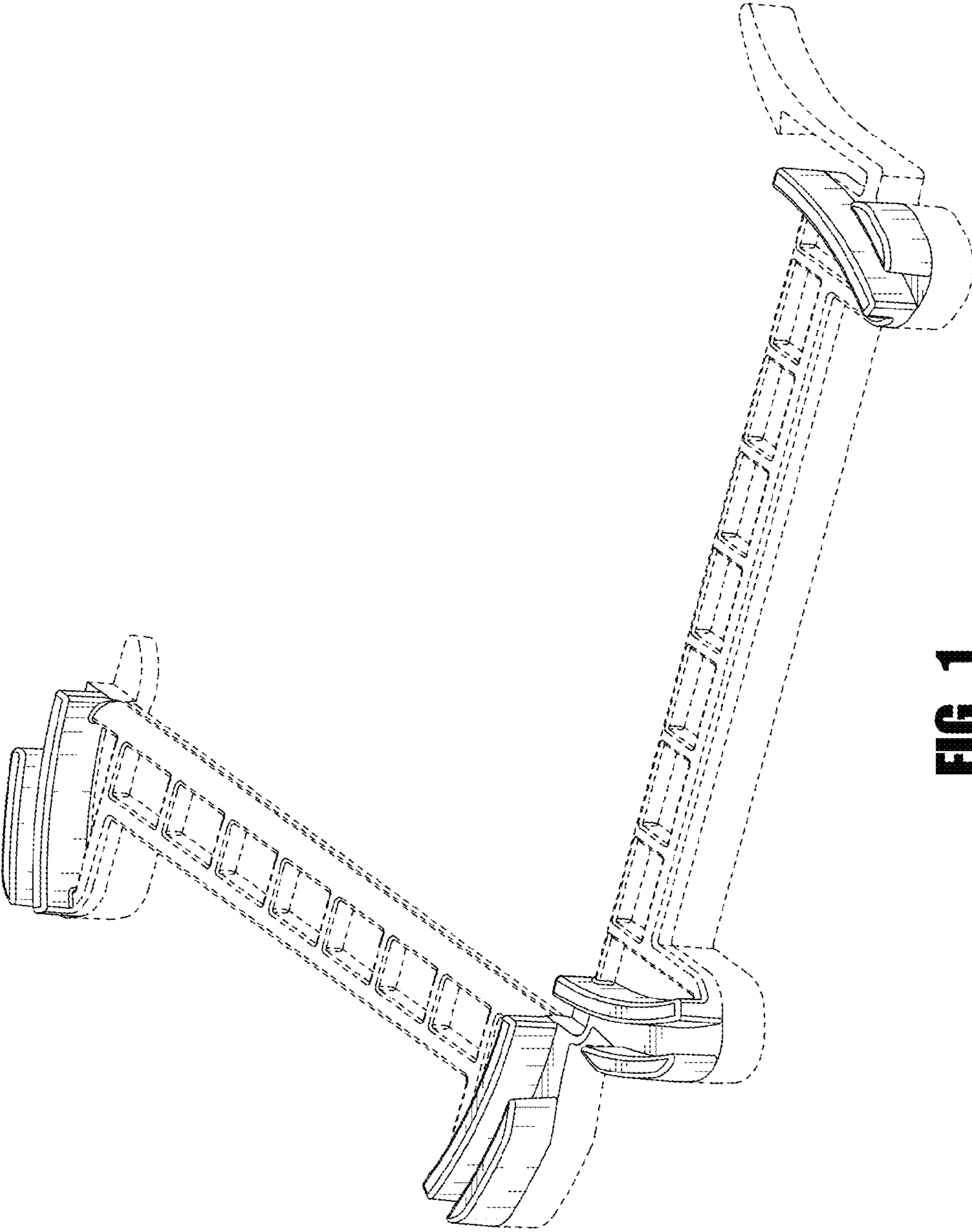


FIG. 1

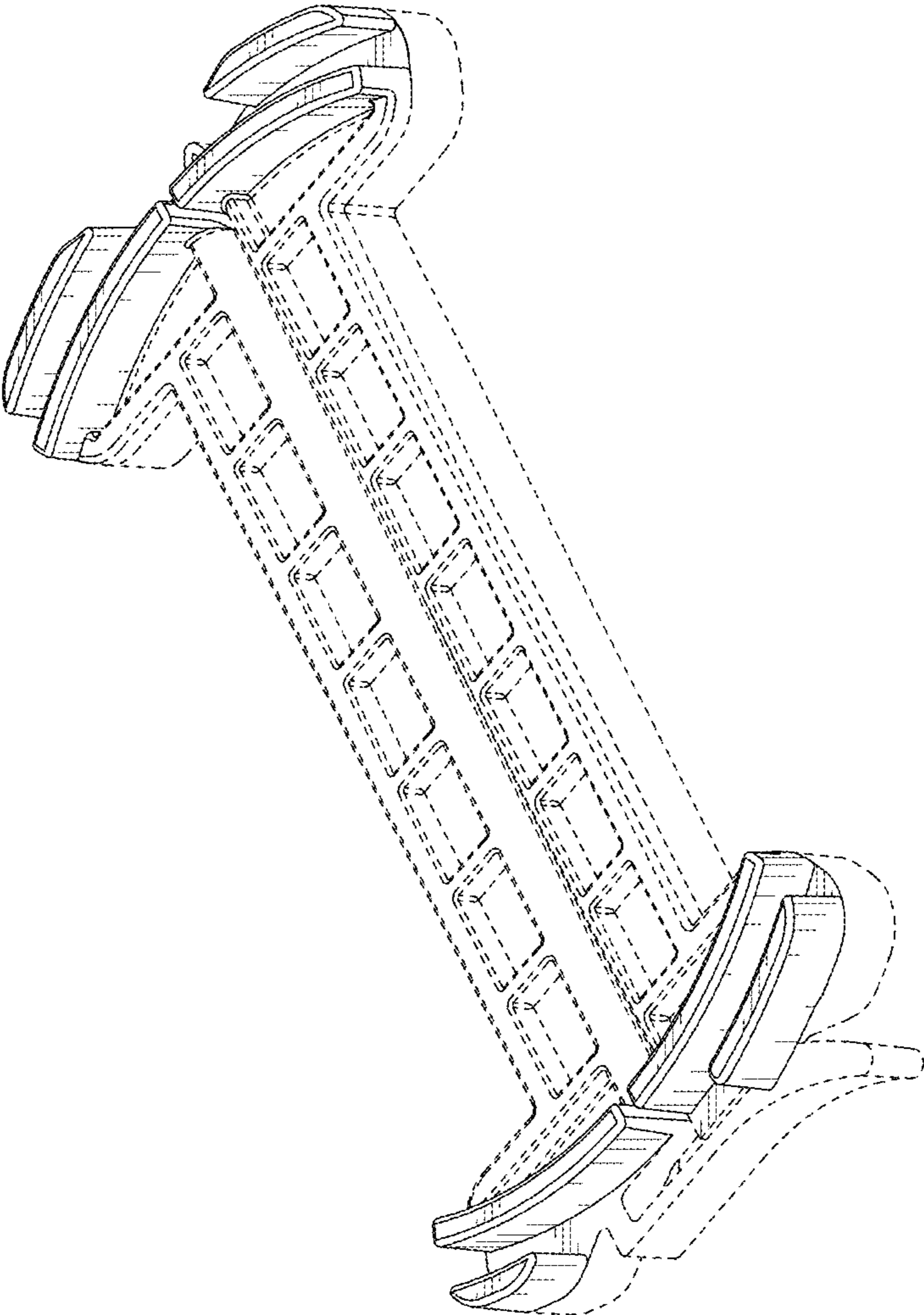


FIG. 2

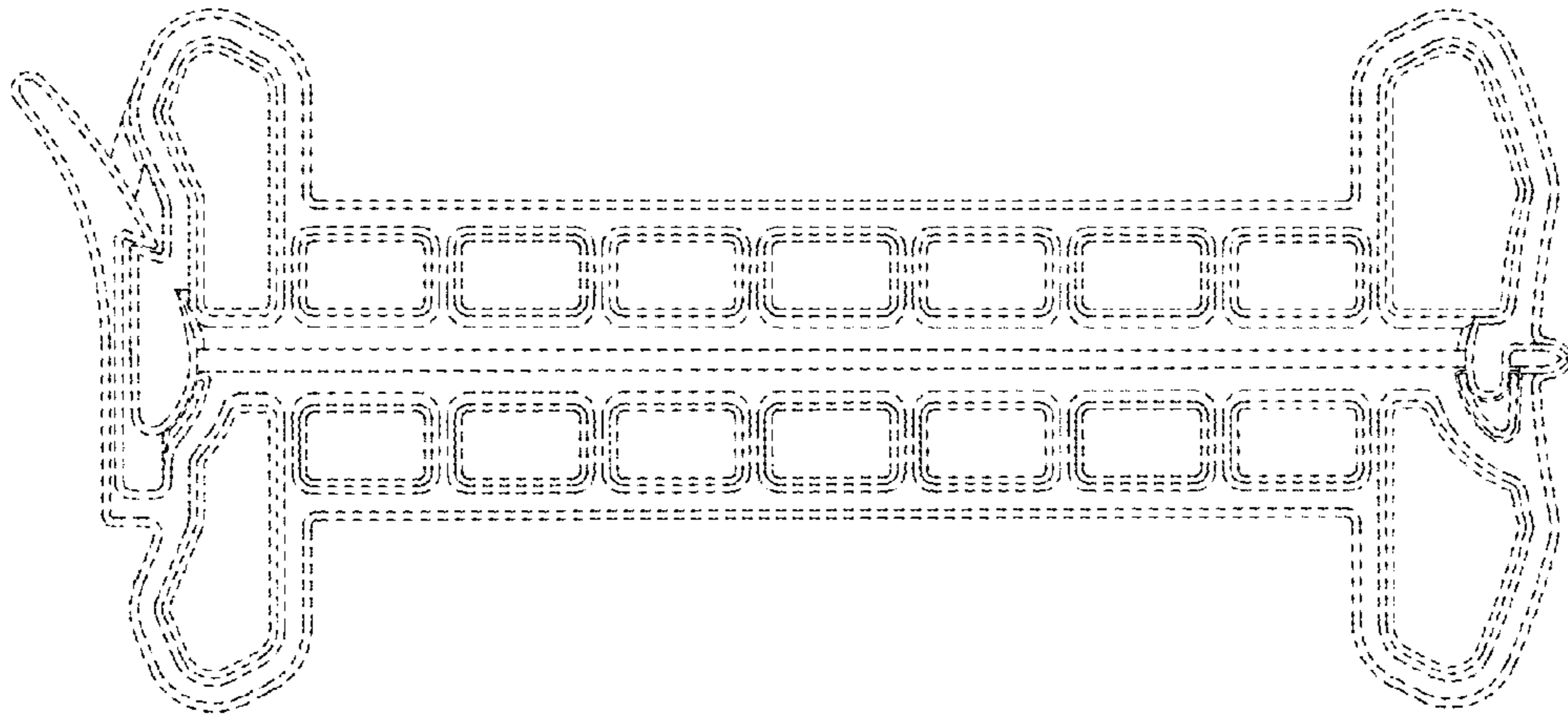


FIG. 3

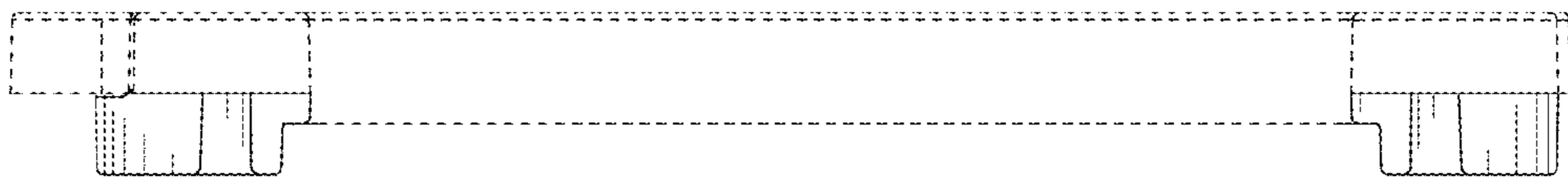


FIG. 4

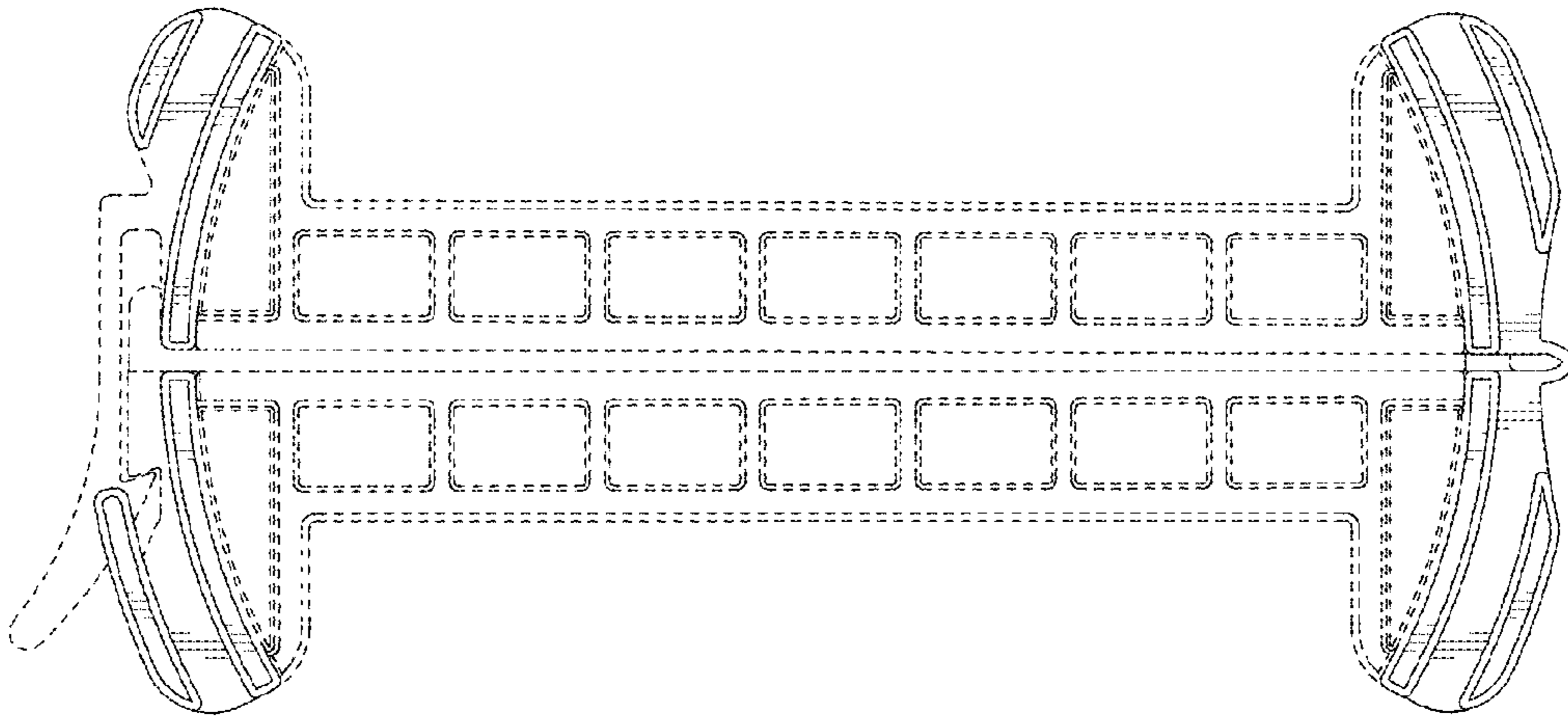


FIG. 5

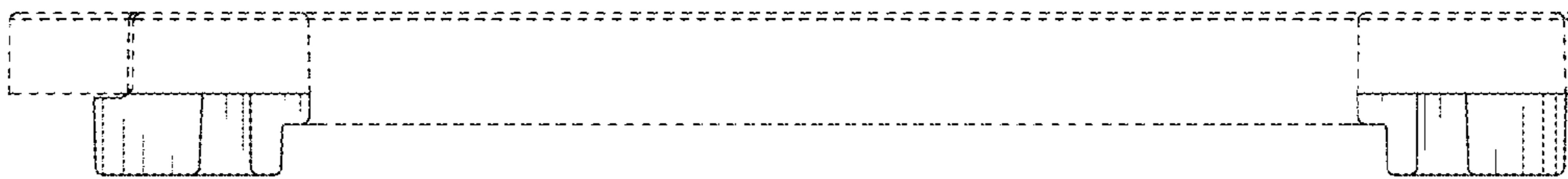


FIG. 6

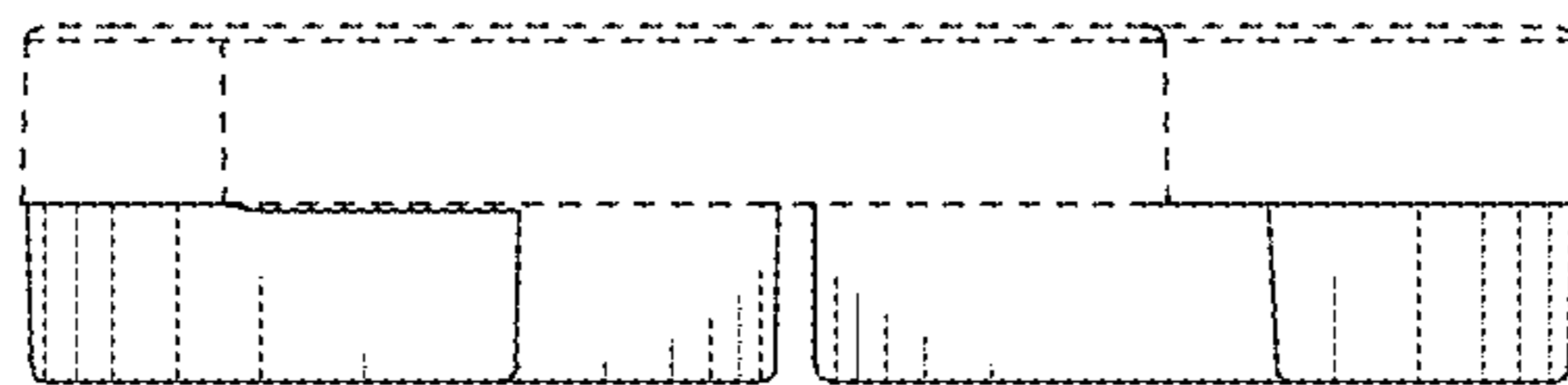


FIG. 7

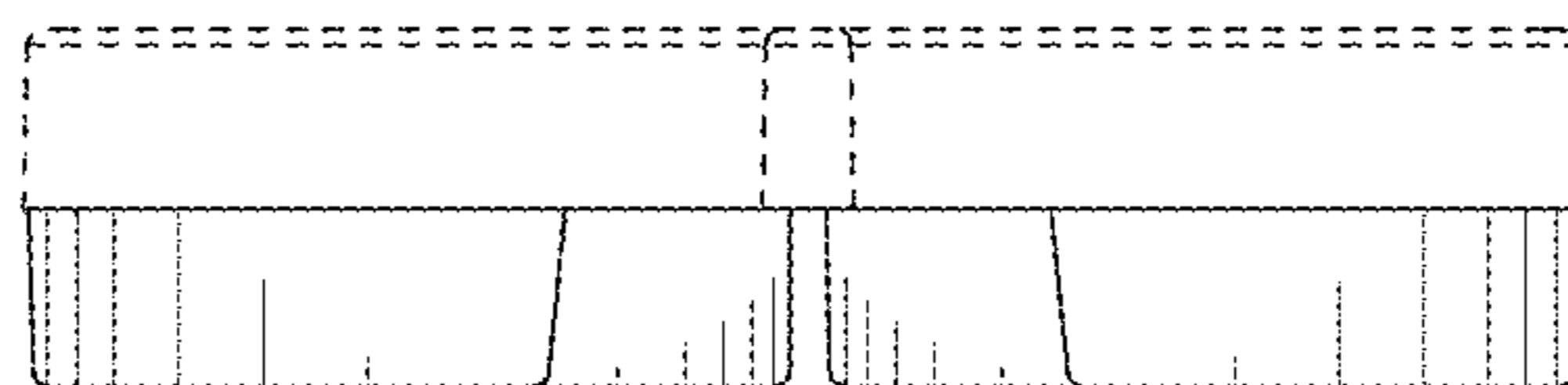


FIG. 8