



US00D748461S

(12) **United States Design Patent**
Catchings

(10) **Patent No.:** **US D748,461 S**

(45) **Date of Patent:** **** Feb. 2, 2016**

(54) **ACCESSORY CLIP**

(71) Applicant: **NOVA ORTHO-MED, INC.**, Carson, CA (US)

(72) Inventor: **Michael Dennis Catchings**, Savoy, TX (US)

(73) Assignee: **NOVA ORTHO-MED, INC.**, Carson, CA (US)

(**) Term: **14 Years**

(21) Appl. No.: **29/459,420**

(22) Filed: **Jun. 28, 2013**

(51) **LOC (10) Cl.** **08-08**

(52) **U.S. Cl.**
USPC **D8/394**

(58) **Field of Classification Search**
USPC D8/72, 394-396, 349, 354, 355, 356;
D11/200, 201, 212; 24/3.12, 16 R, 270,
24/70 ST, 69 ST, 169-171, 615; 2/300,
2/322, 336, 340
CPC A41F 9/002; A41F 15/007; A41F 3/02;
F16L 3/233; F16L 33/12; A45F 5/02; B65D
63/08; A44B 11/125

See application file for complete search history.

(56) **References Cited**

U.S. PATENT DOCUMENTS

D246,141 S *	10/1977	Mazur	D11/212
4,269,435 A *	5/1981	Jarvenkyla et al.	280/814
D288,162 S *	2/1987	Hutton et al.	D6/607
4,688,304 A *	8/1987	Marcott	24/459
5,036,164 A *	7/1991	Schrader et al.	174/94 R
D319,903 S *	9/1991	Barner	D32/61
D328,485 S *	8/1992	Crowley	D22/109
D339,521 S *	9/1993	Bartlett et al.	D8/394
5,991,928 A *	11/1999	Smith et al.	2/300
D475,276 S *	6/2003	Kelleghan	D8/356
D488,371 S *	4/2004	Shaljjan	D8/354
D522,849 S *	6/2006	Dick et al.	D8/395
D562,124 S *	2/2008	Hargis	D8/394
D572,117 S *	7/2008	Daun et al.	D8/354

D587,988 S *	3/2009	Johansson	D8/356
D686,943 S *	7/2013	Watson et al.	D11/201
D704,540 S *	5/2014	Shibamoto et al.	D8/394

* cited by examiner

Primary Examiner — John Windmuller

Assistant Examiner — Steven Czyz

(74) *Attorney, Agent, or Firm* — Martin & Ferraro, LLP

(57) **CLAIM**

The ornamental design for an accessory clip, as shown and described.

DESCRIPTION

FIG. 1 is a perspective view from the front, top, and left side of the accessory clip;

FIG. 2 is a front elevation view of the accessory clip of FIG. 1;

FIG. 3 is a right side elevation view of the accessory clip of FIG. 1;

FIG. 4 is a left side elevation view of the accessory clip of FIG. 1;

FIG. 5 is a top plan view of the accessory clip of FIG. 1;

FIG. 6 is a bottom plan view of the accessory clip of FIG. 1;

FIG. 7 is a rear elevation view of the accessory clip of FIG. 1;

FIG. 8 is an exploded perspective view from the front, top, and left side of the accessory clip of FIG. 1;

FIG. 9 is a perspective view from the front, top, and left side of the plate part of the accessory clip of FIG. 1, shown separately for ease of disclosure;

FIG. 10 is a front elevation view of the plate part of the accessory clip of FIG. 9, shown separately for ease of disclosure;

FIG. 11 is a right side elevation view of the plate part of the accessory clip of FIG. 9, shown separately for ease of disclosure;

FIG. 12 is a left side elevation view of the plate part of the accessory clip of FIG. 9, shown separately for ease of disclosure;

FIG. 13 is a top plan view of the plate part of the accessory clip of FIG. 9, shown separately for ease of disclosure;

FIG. 14 is a bottom plan view of the plate part of the accessory clip of FIG. 9, shown separately for ease of disclosure;

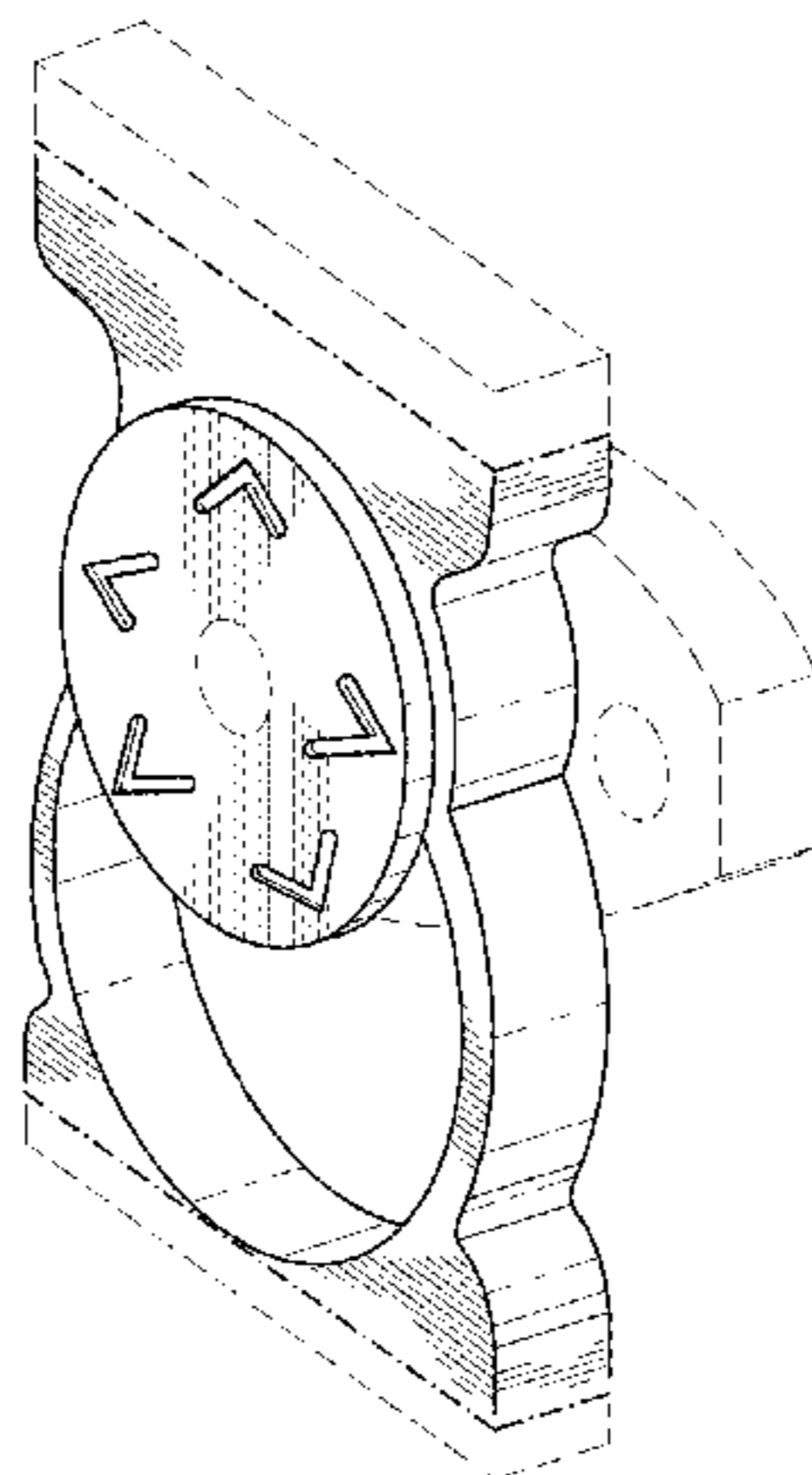


FIG. 15 is a rear elevation view of the plate part of the accessory clip of FIG. 9, shown separately for ease of disclosure;

FIG. 16 is a perspective view from the front, top, and left side of the flange part of the accessory clip of FIG. 1, shown separately for ease of disclosure;

FIG. 17 is a perspective view from the rear, top, and left side of the flange part of the accessory clip of FIG. 16, shown separately for ease of disclosure;

FIG. 18 is a front elevation view of the flange part of the accessory clip of FIG. 16, shown separately for ease of disclosure;

FIG. 19 is a right side elevation view of the flange part of the accessory clip of FIG. 16, shown separately for ease of disclosure;

FIG. 20 is a left side elevation view of the flange part of the accessory clip of FIG. 16, shown separately for ease of disclosure;

FIG. 21 is a top plan view of the flange part of the accessory clip of FIG. 16, shown separately for ease of disclosure;

FIG. 22 is a bottom plan view of the flange part of the accessory clip of FIG. 16, shown separately for ease of disclosure; and,

FIG. 23 is a rear elevation view of the flange part of the accessory clip of FIG. 16, shown separately for ease of disclosure.

The broken lines depict portions of the article that form no part of the claimed design.

1 Claim, 10 Drawing Sheets

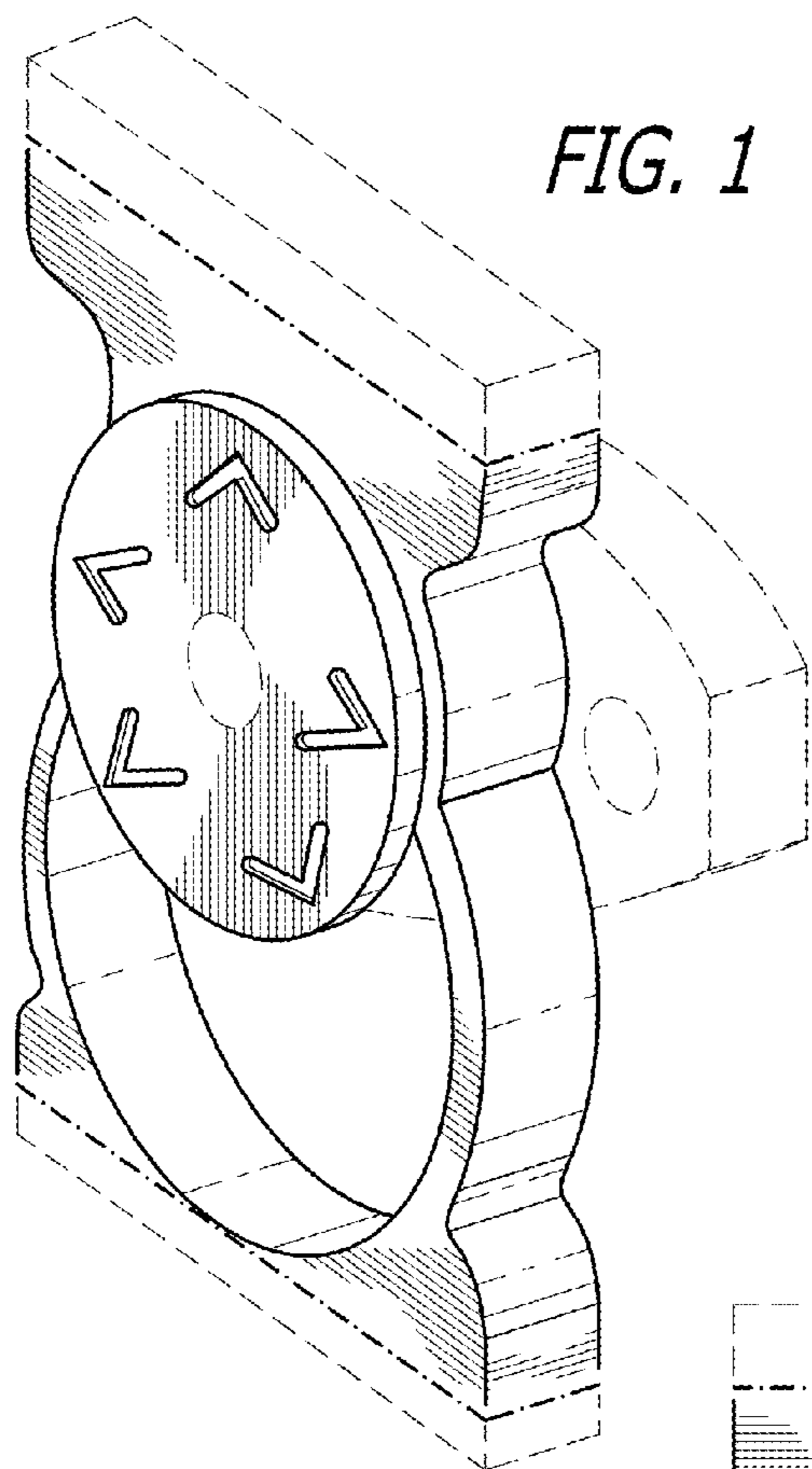
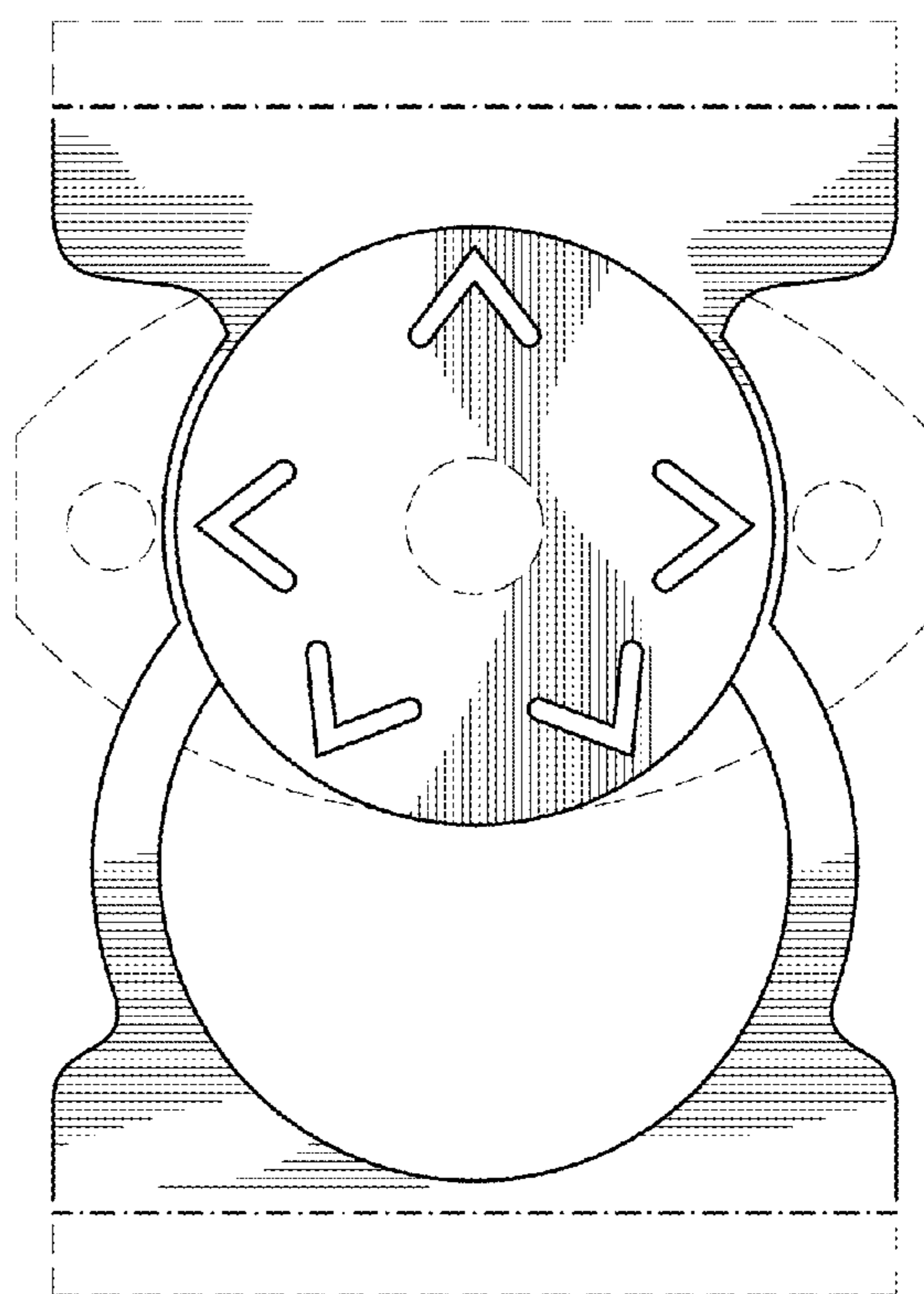


FIG. 2



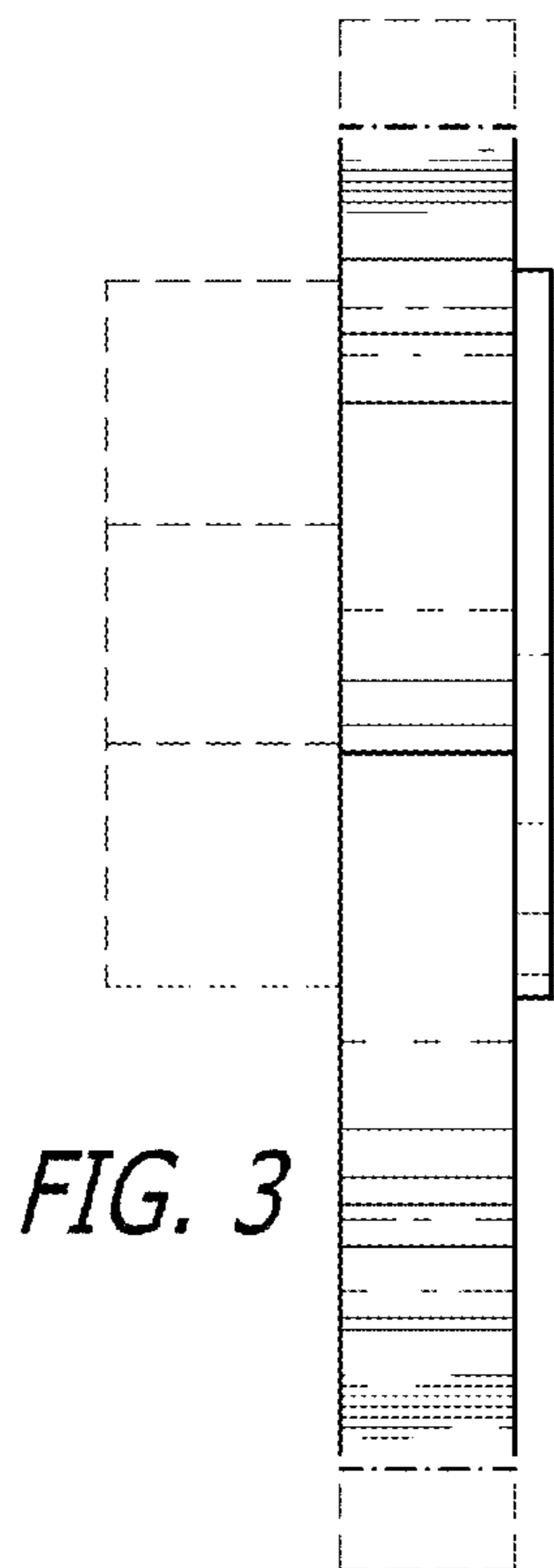


FIG. 3

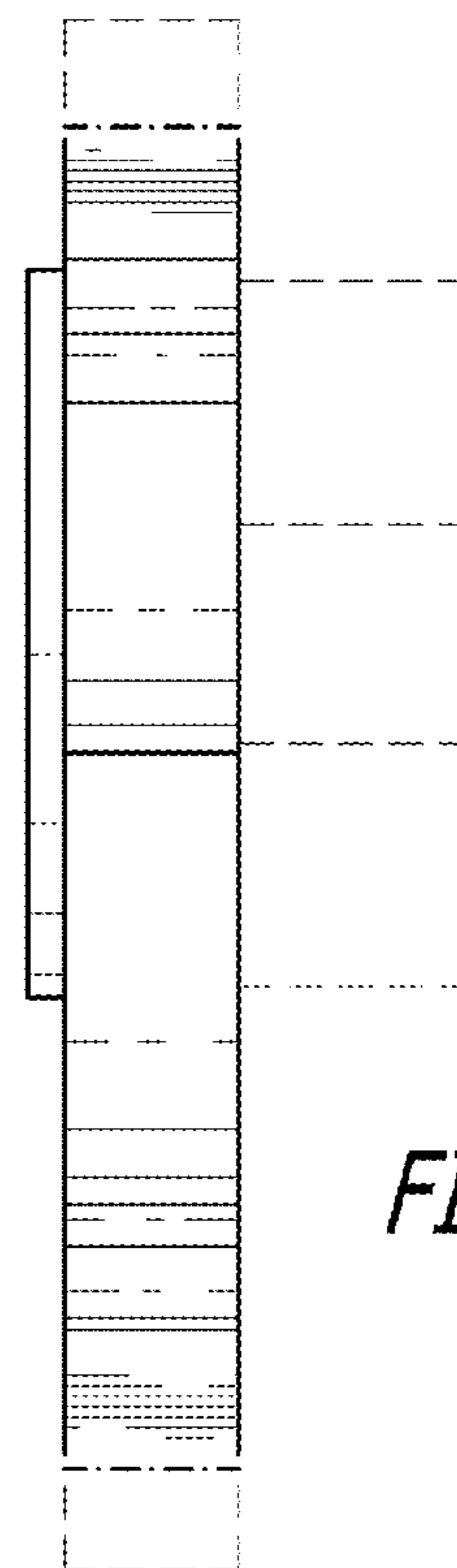


FIG. 4

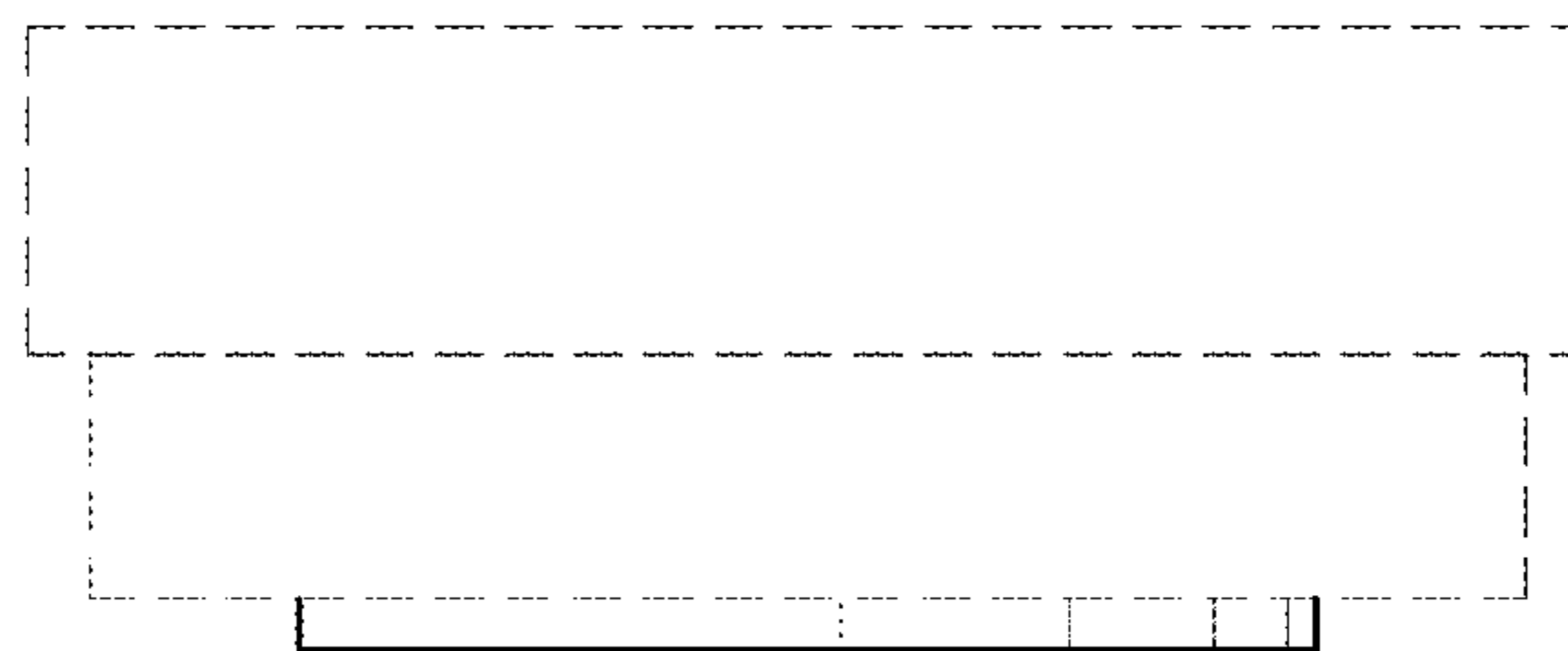


FIG. 5

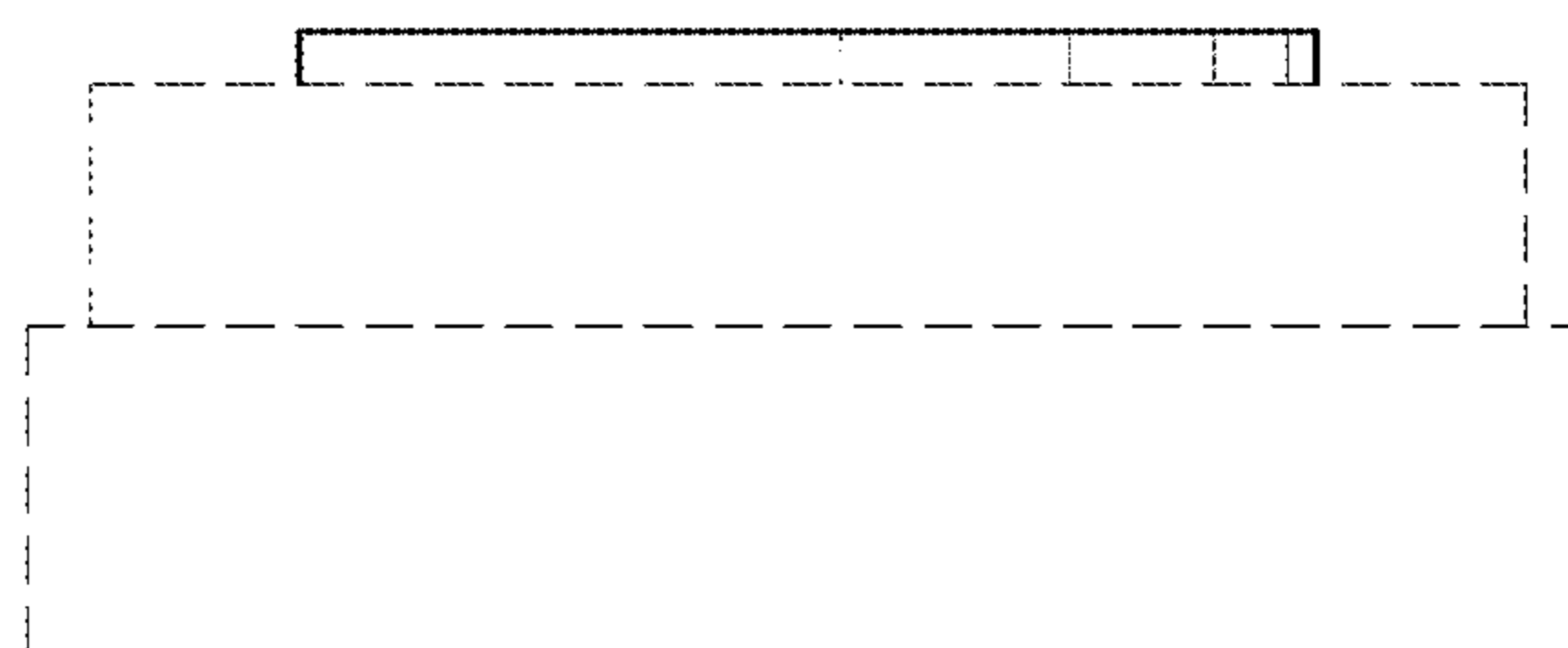


FIG. 6

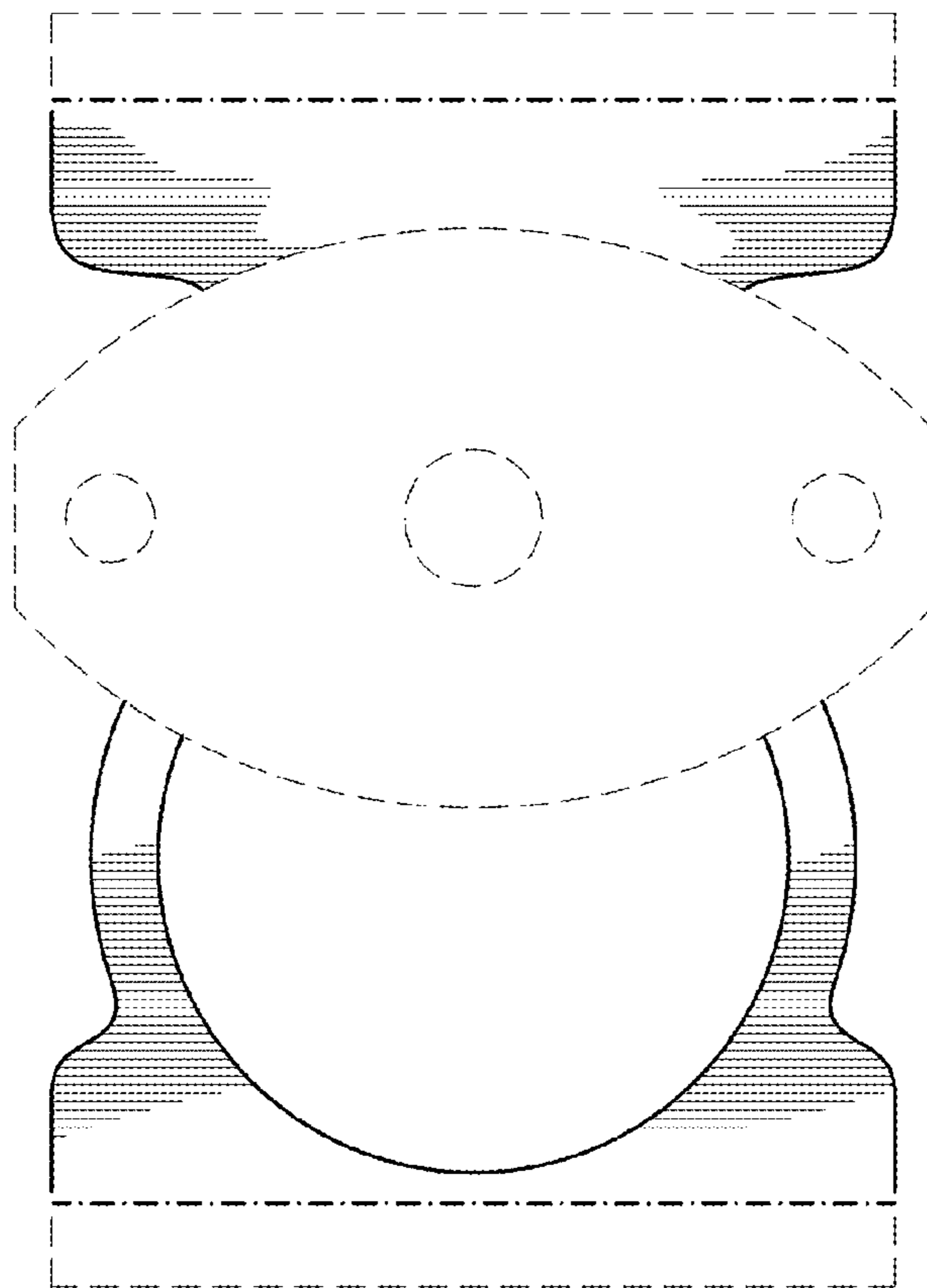


FIG. 7

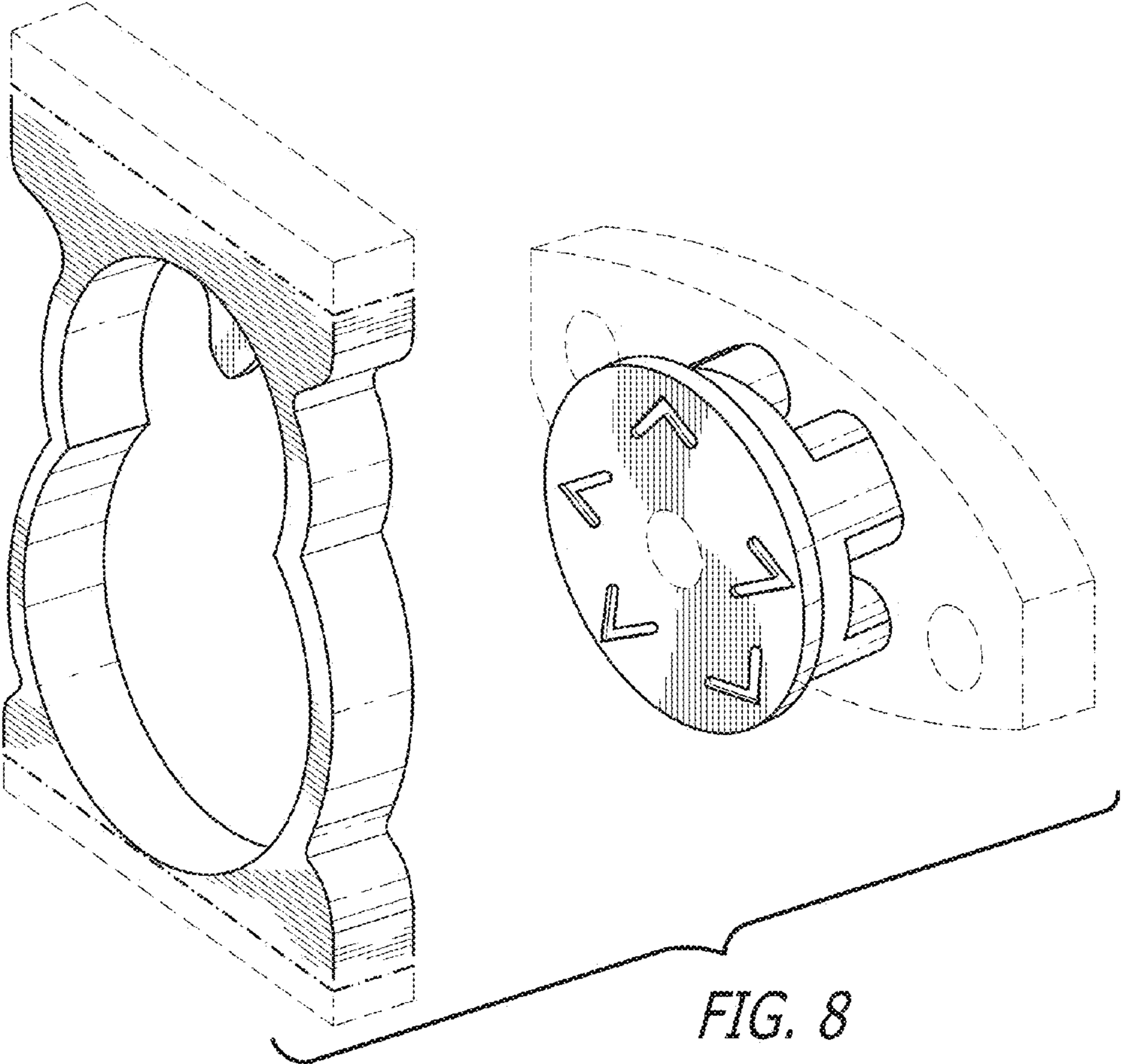


FIG. 8

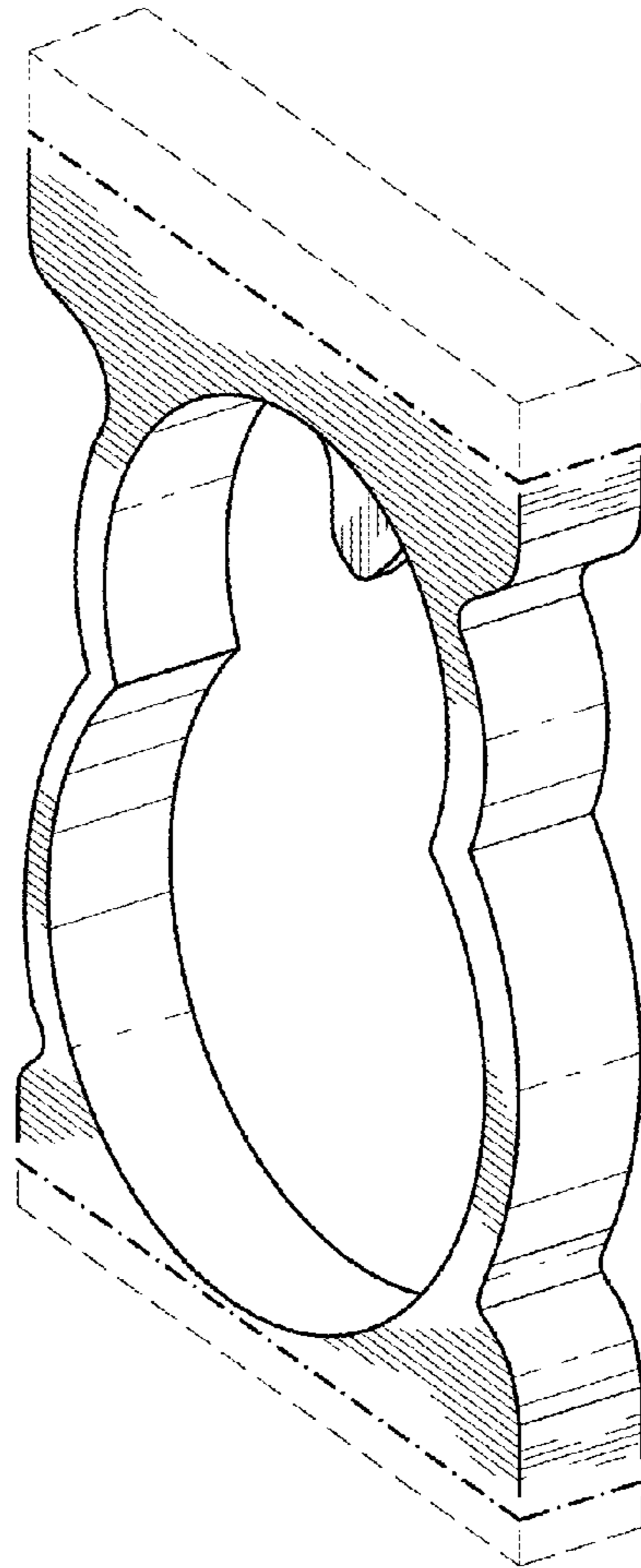


FIG. 9



FIG. 13

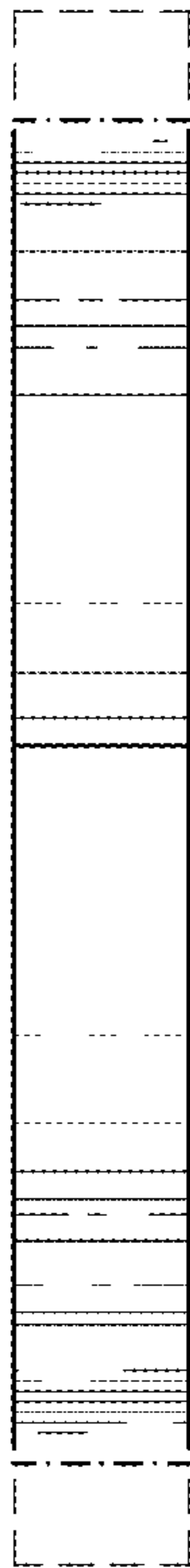


FIG. 11

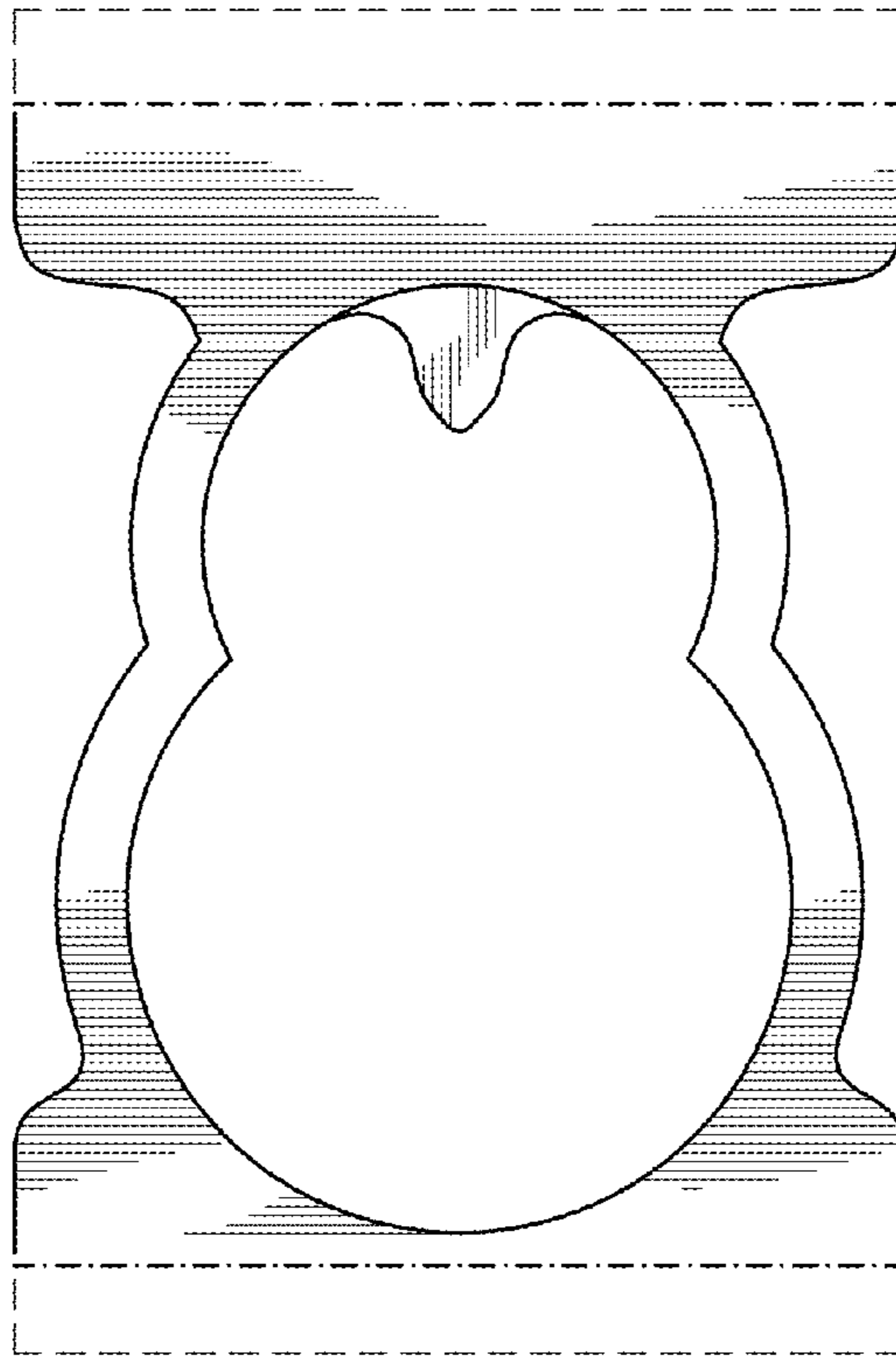


FIG. 10

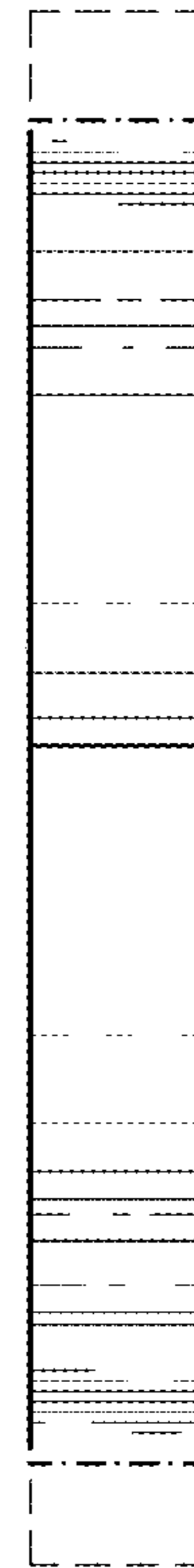


FIG. 12



FIG. 14

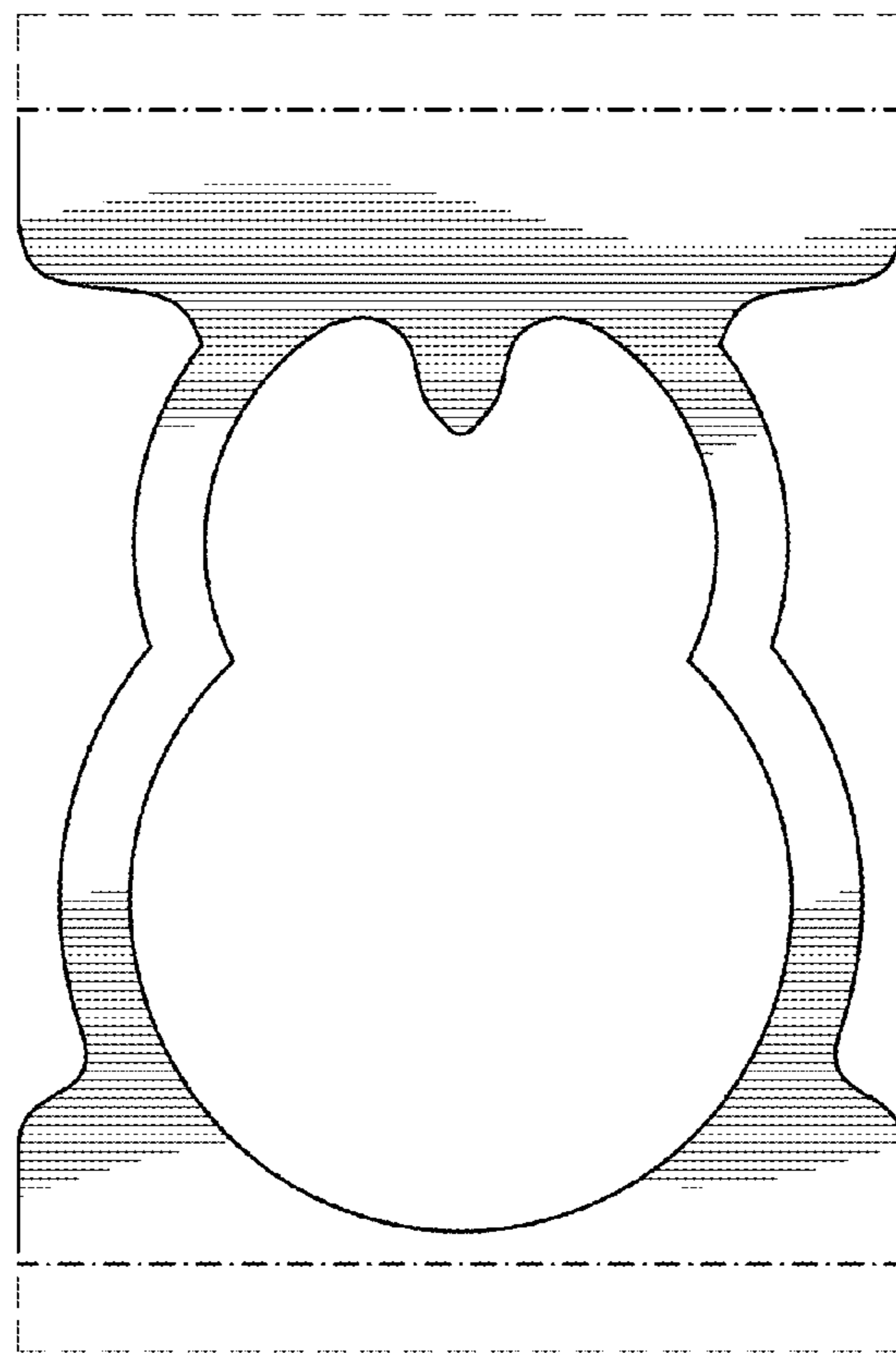
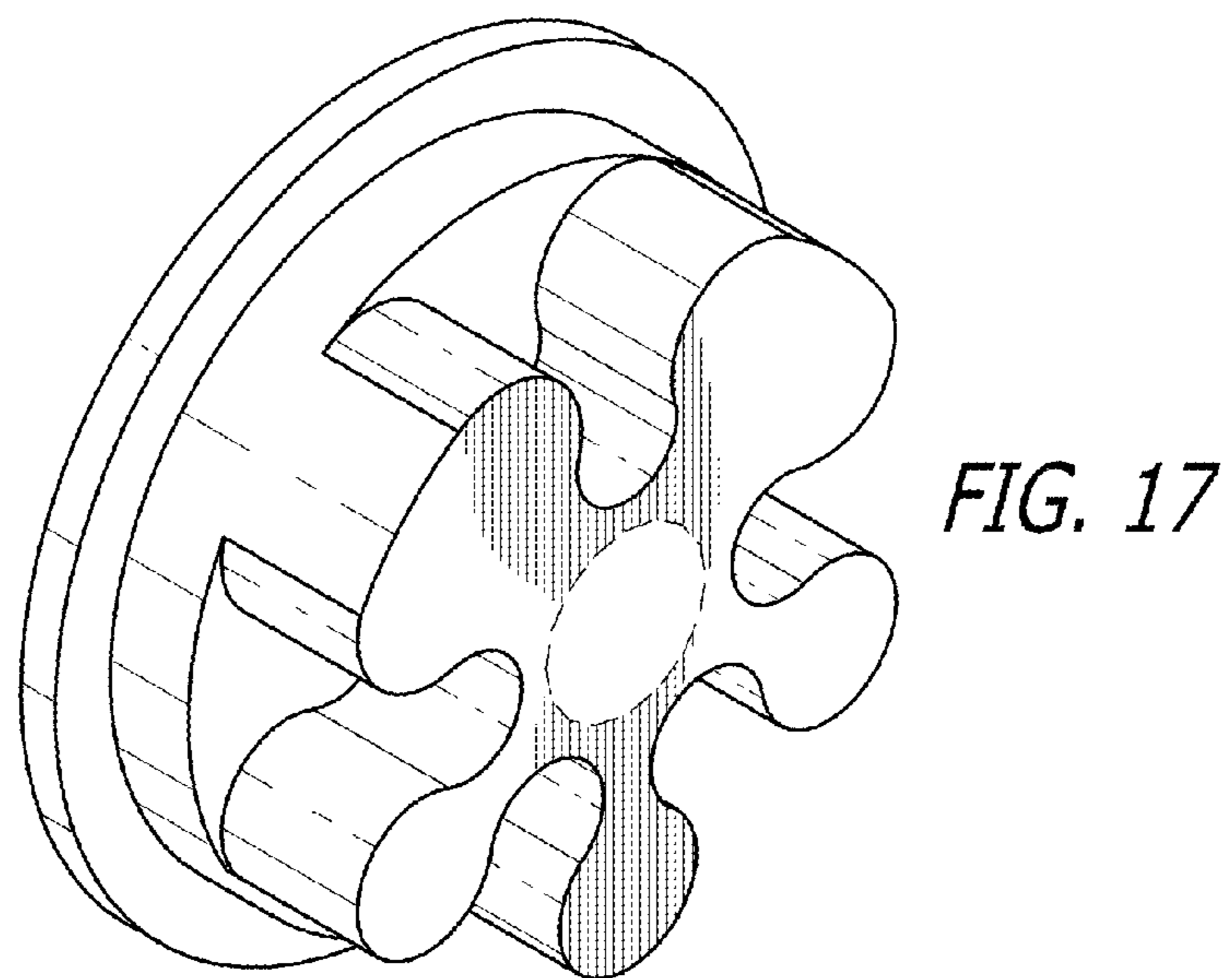
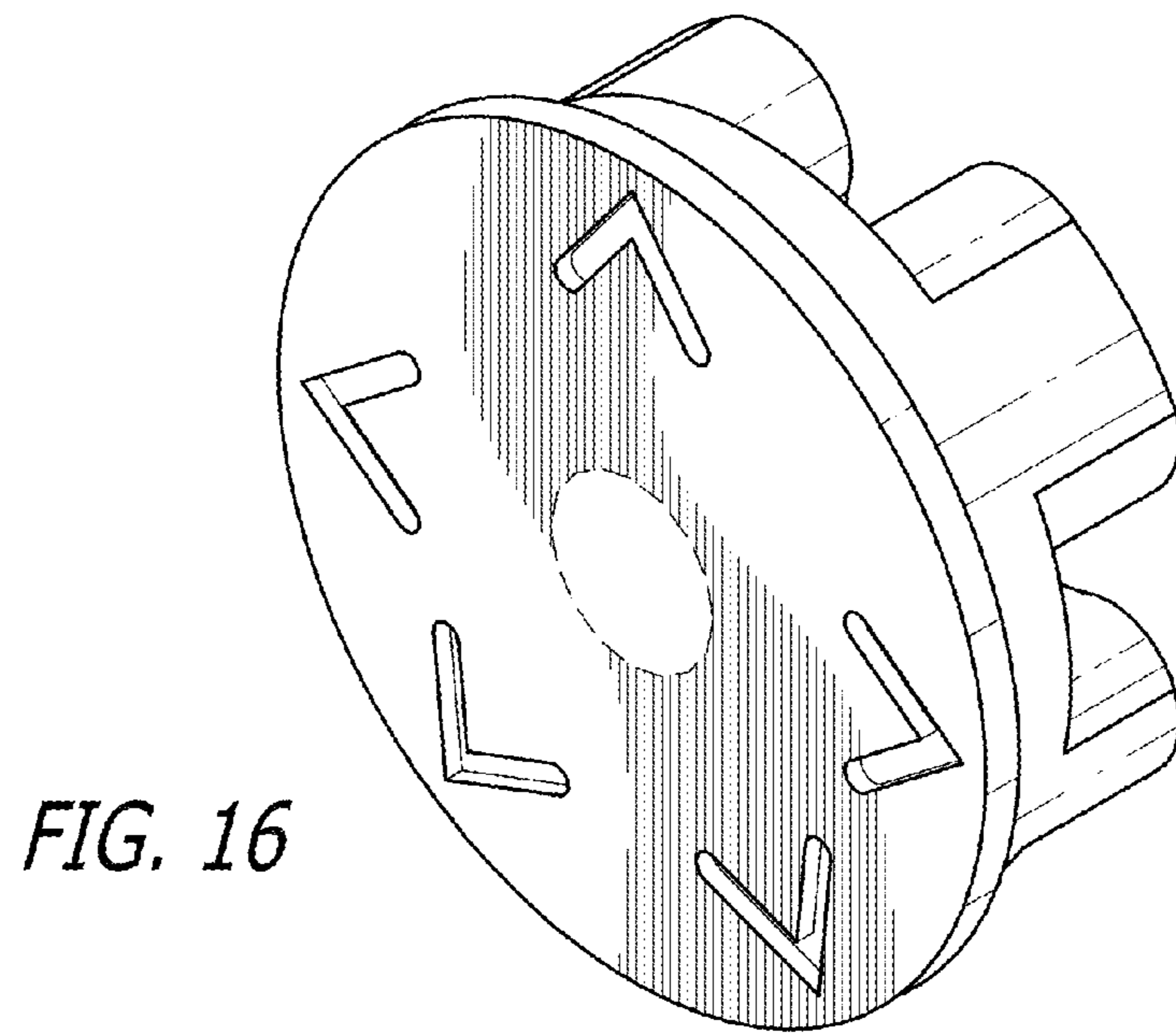


FIG. 15



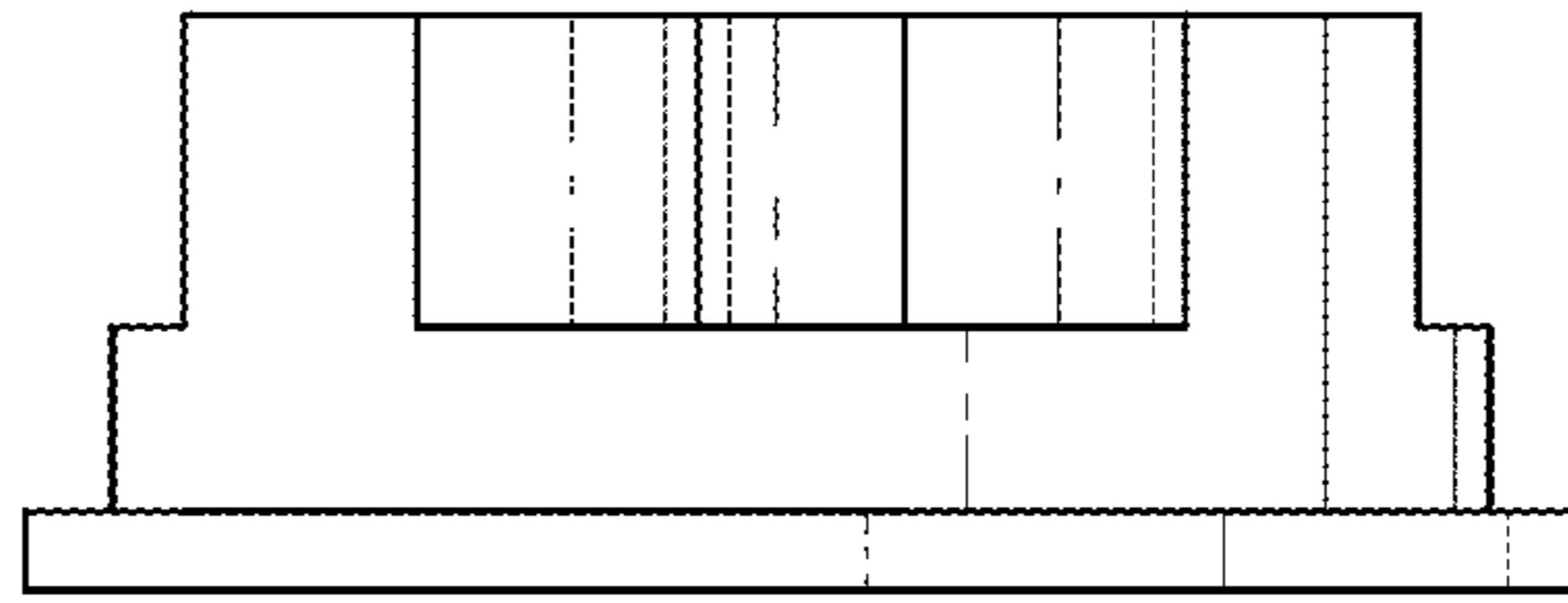


FIG. 21

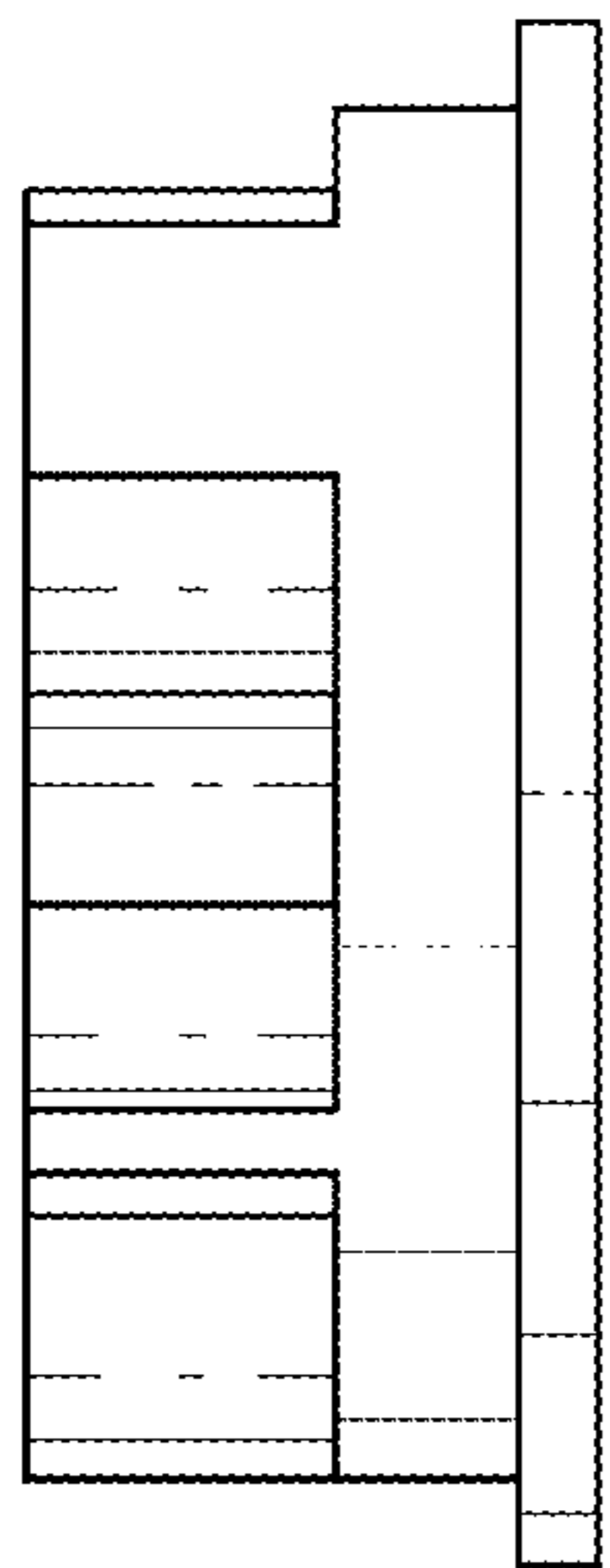


FIG. 19

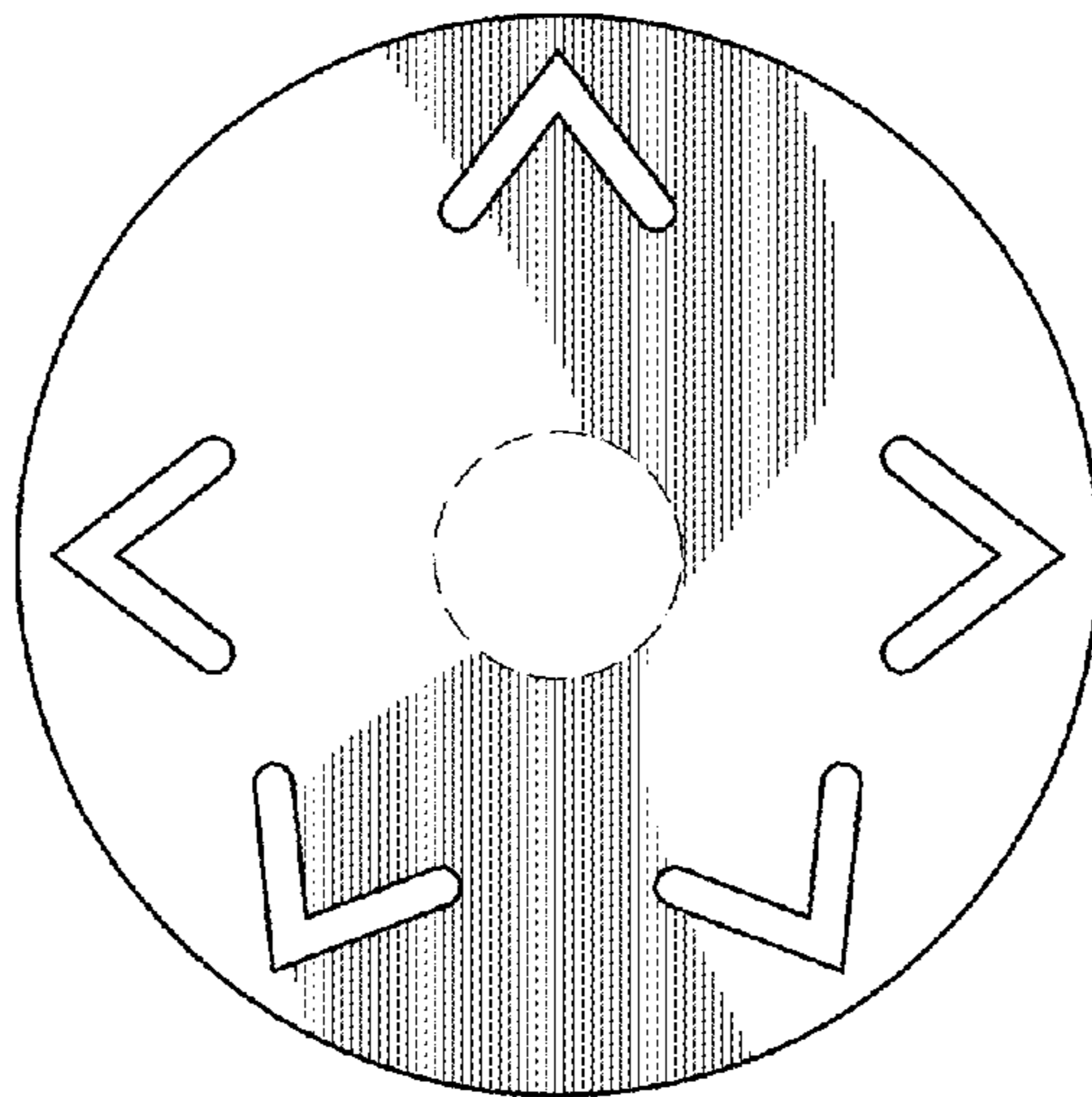


FIG. 18

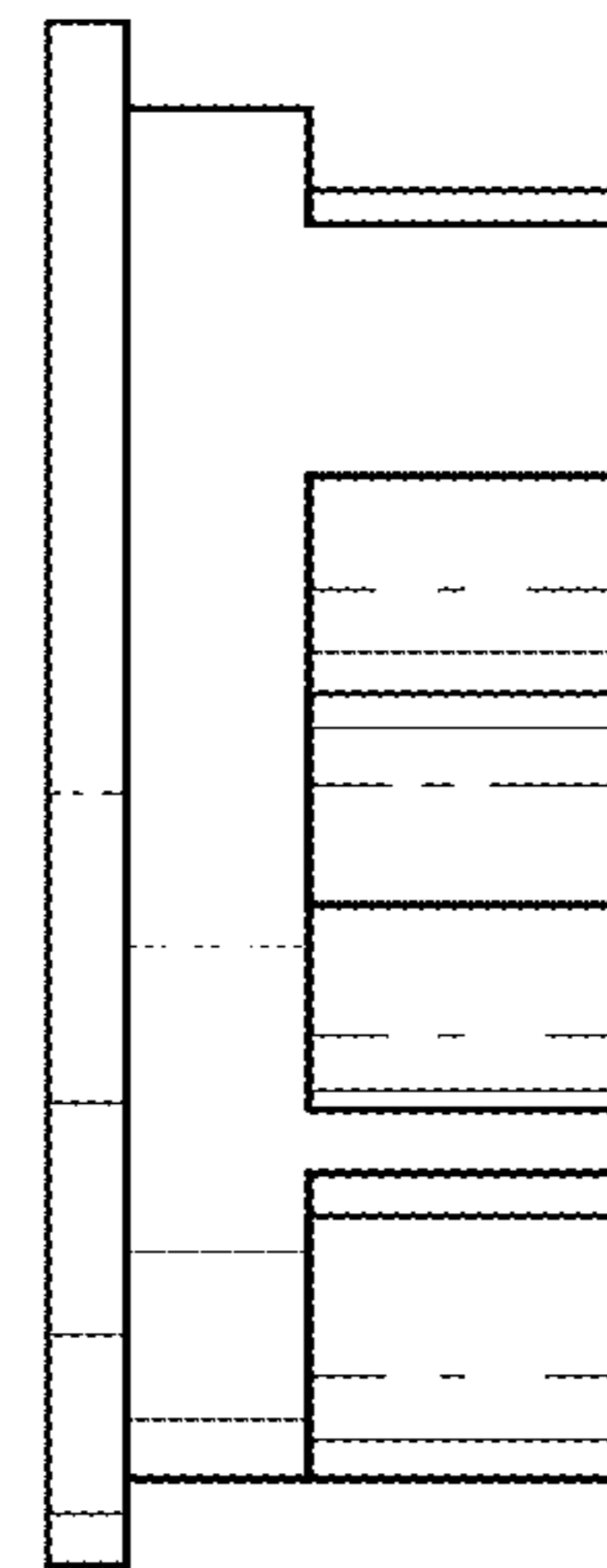


FIG. 20

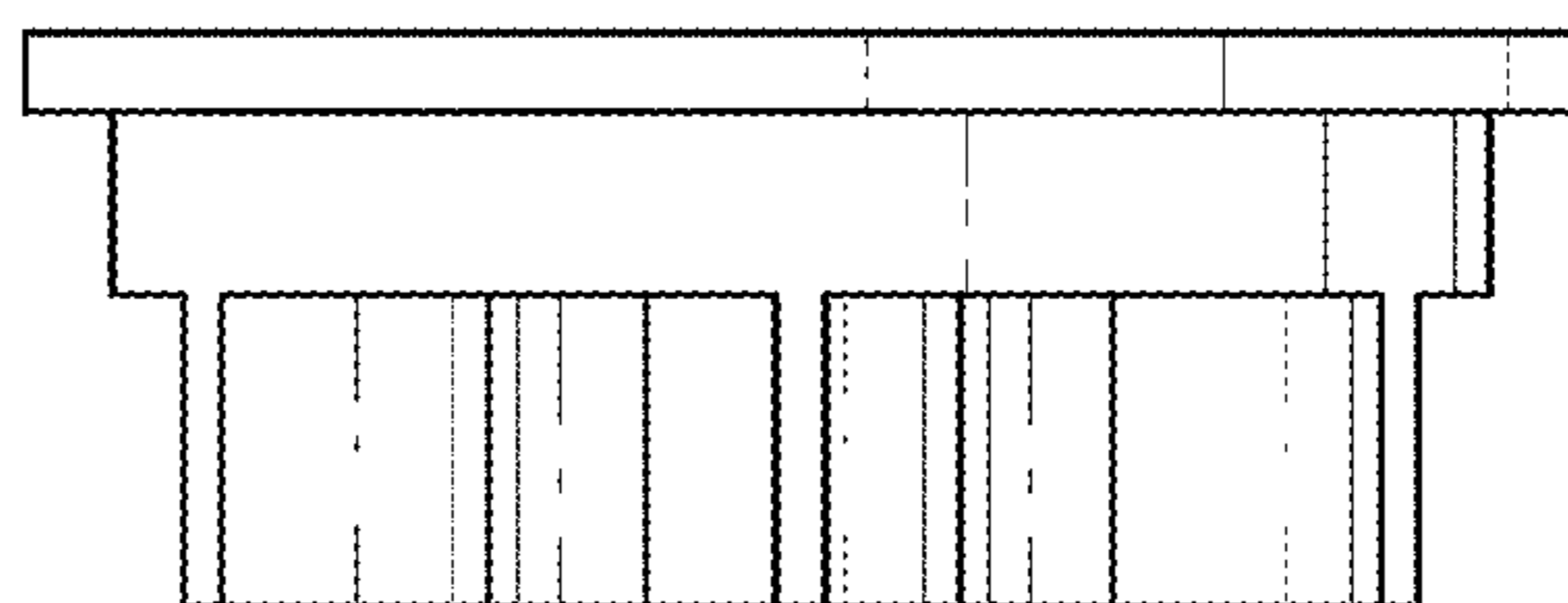


FIG. 22

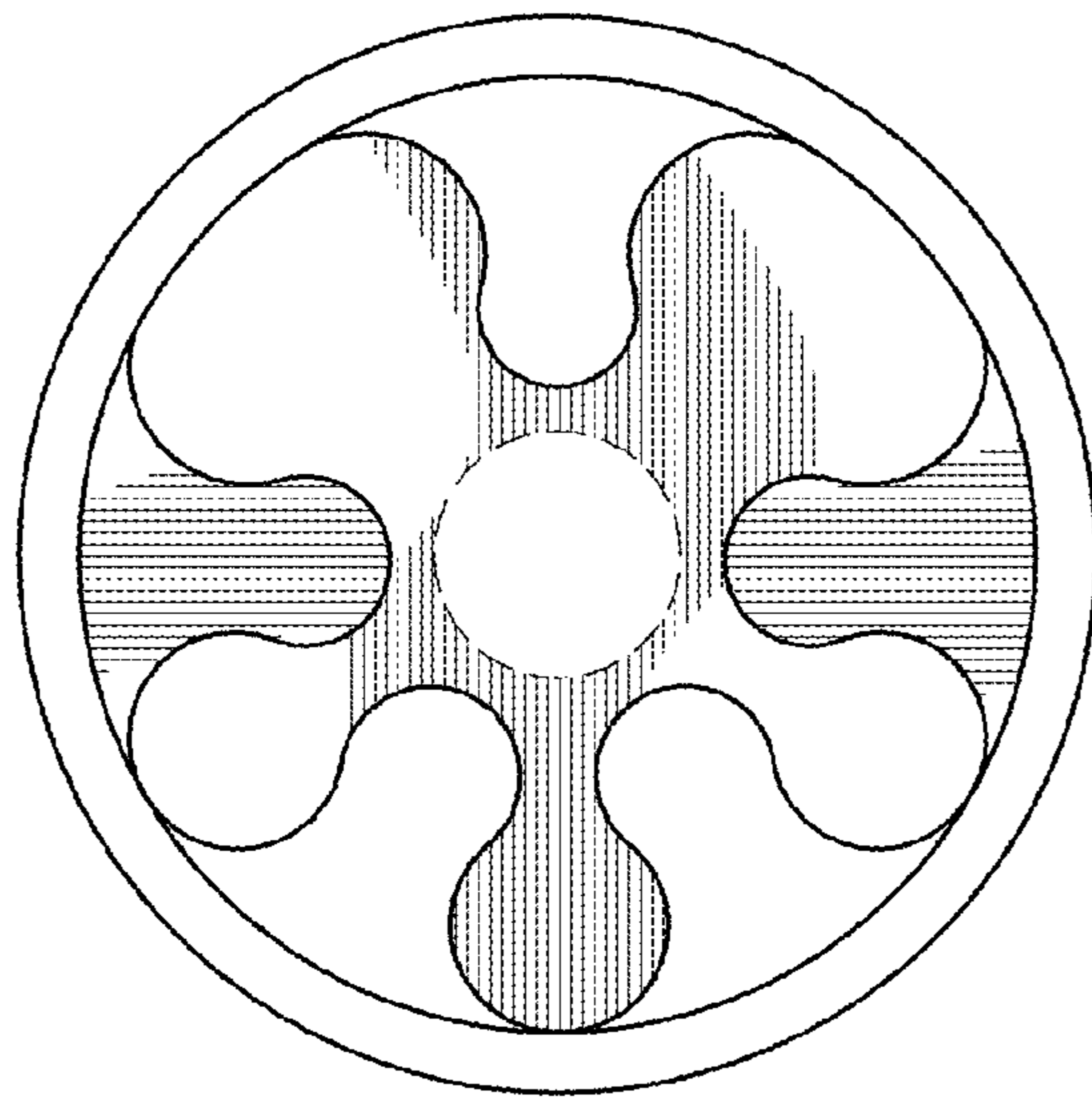


FIG. 23