



US00D748459S

(12) **United States Design Patent**  
**Bohne**

(10) **Patent No.:** **US D748,459 S**

(45) **Date of Patent:** **\*\* Feb. 2, 2016**

(54) **WALLBOARD INSTALLATION BRACE**

(71) Applicant: **Larry G. Bohne**, Cedar City, UT (US)

(72) Inventor: **Larry G. Bohne**, Cedar City, UT (US)

(\*\*) Term: **14 Years**

(21) Appl. No.: **29/484,444**

(22) Filed: **Mar. 10, 2014**

(51) **LOC (10) Cl.** ..... **08-05**

(52) **U.S. Cl.**  
USPC ..... **D8/380**

(58) **Field of Classification Search**  
USPC ..... D8/380, 354, 373  
CPC ..... A47F 5/00; A47H 1/10; A47G 29/00;  
A47B 97/00; A47B 47/00  
See application file for complete search history.

(56) **References Cited**

**U.S. PATENT DOCUMENTS**

- D386,145 S \* 11/1997 Staller ..... D12/412
- D447,683 S \* 9/2001 Grosfillex ..... D8/381
- D565,933 S \* 4/2008 Berry ..... D8/354

\* cited by examiner

*Primary Examiner* — Holly Baynham

(74) *Attorney, Agent, or Firm* — M. Reid Russell

(57) **CLAIM**

The ornamental design for a wallboard installation brace, shown and described.

**DESCRIPTION**

FIG. 1 is a side elevation perspective view taken from the top and left side of a wallboard installation brace showing my new design;

FIG. 2 is a side elevation bottom plan perspective view thereof, it being understood that left and right side views thereof are mirror images of one another;

FIG. 3 is a left side elevation view thereof;

FIG. 4 is a right side elevation view thereof;

FIG. 5 is an end view thereof;

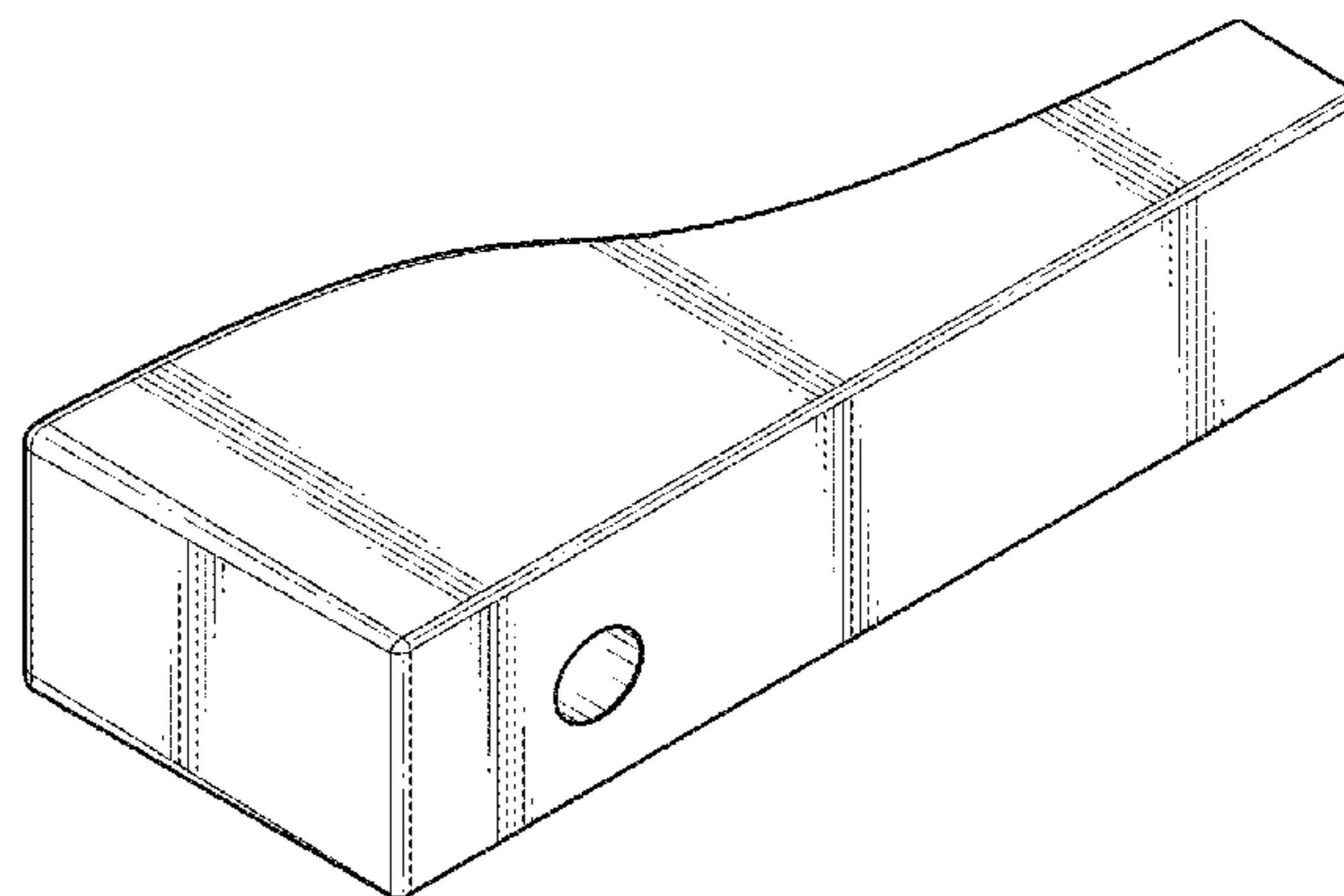
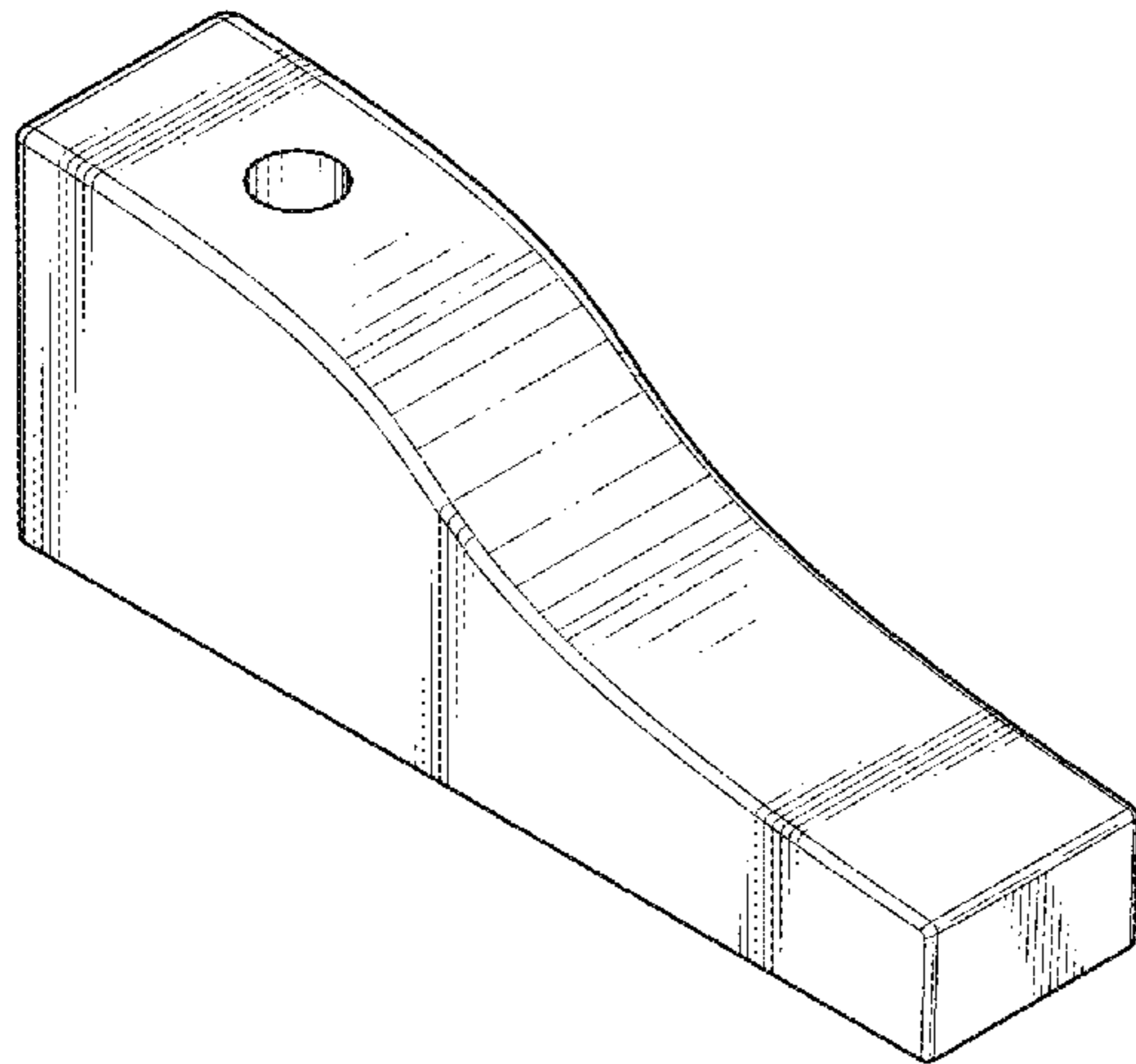
FIG. 6 is an opposite end view thereof;

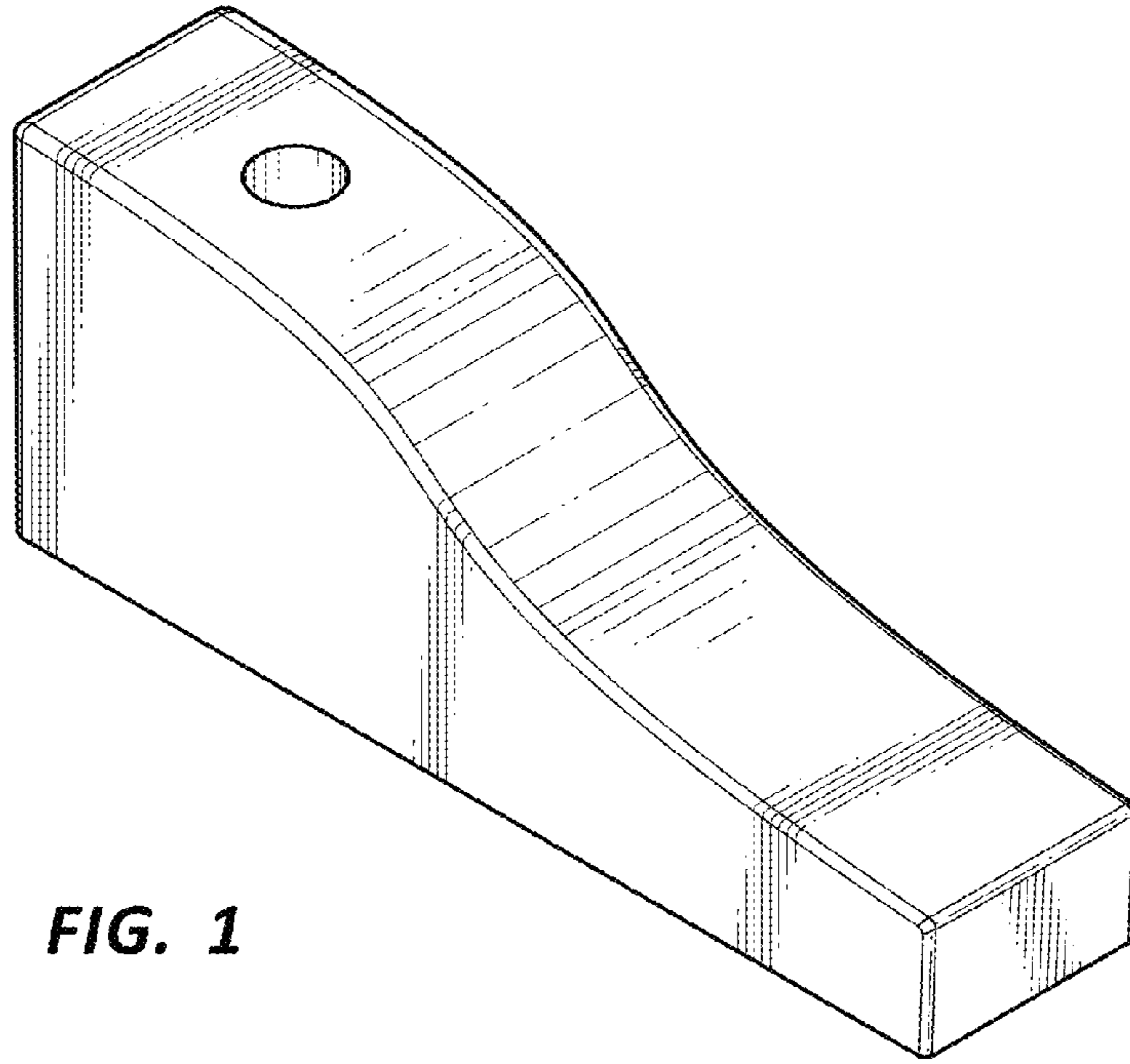
FIG. 7 is a top plan view thereof;

FIG. 8 is a bottom plan view thereof; and,

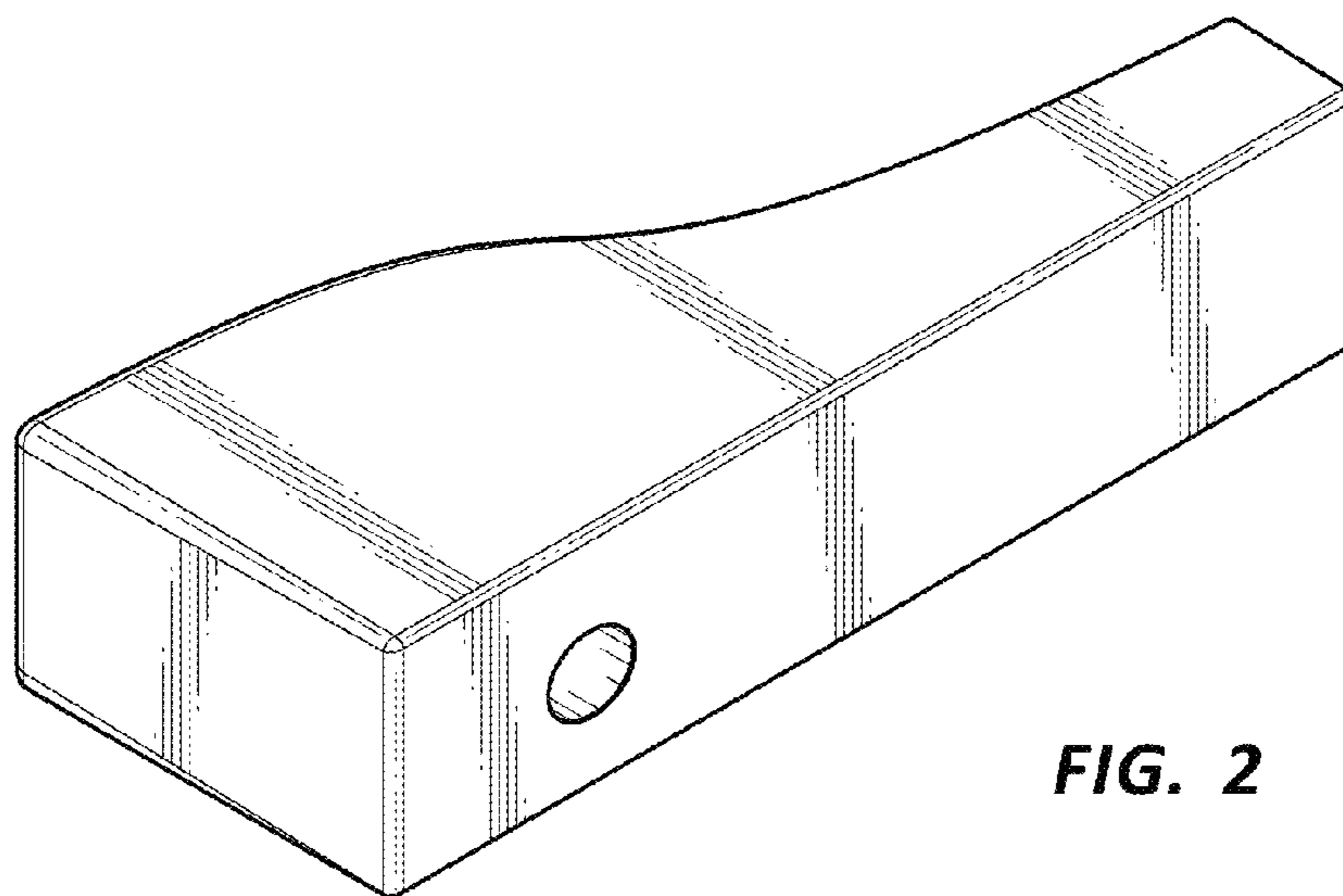
FIG. 9 is an environmental, side perspective view thereof with the broken lines showing a wall stud, wall header, section of wall and the wallboard brace hole being for the purposes of illustrating environment and forming no part of the claimed design.

**1 Claim, 3 Drawing Sheets**

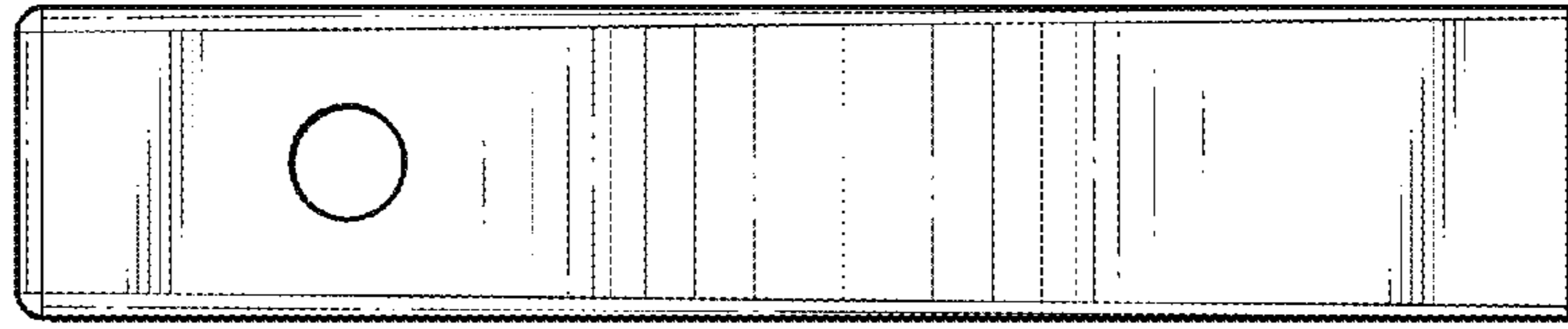




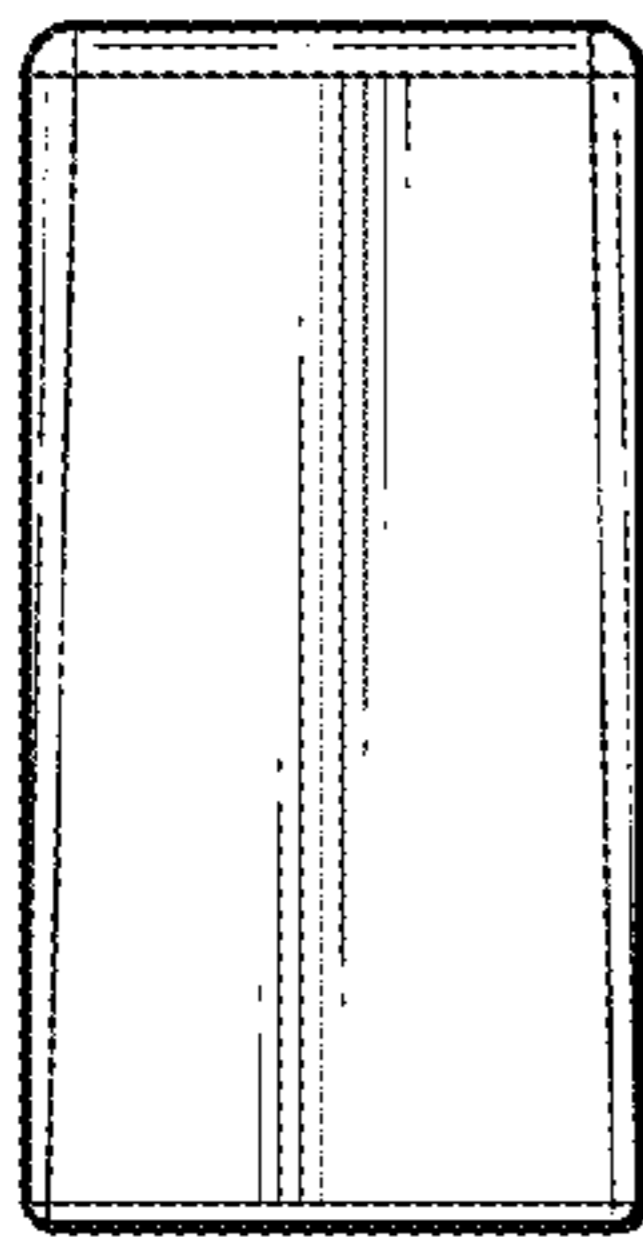
**FIG. 1**



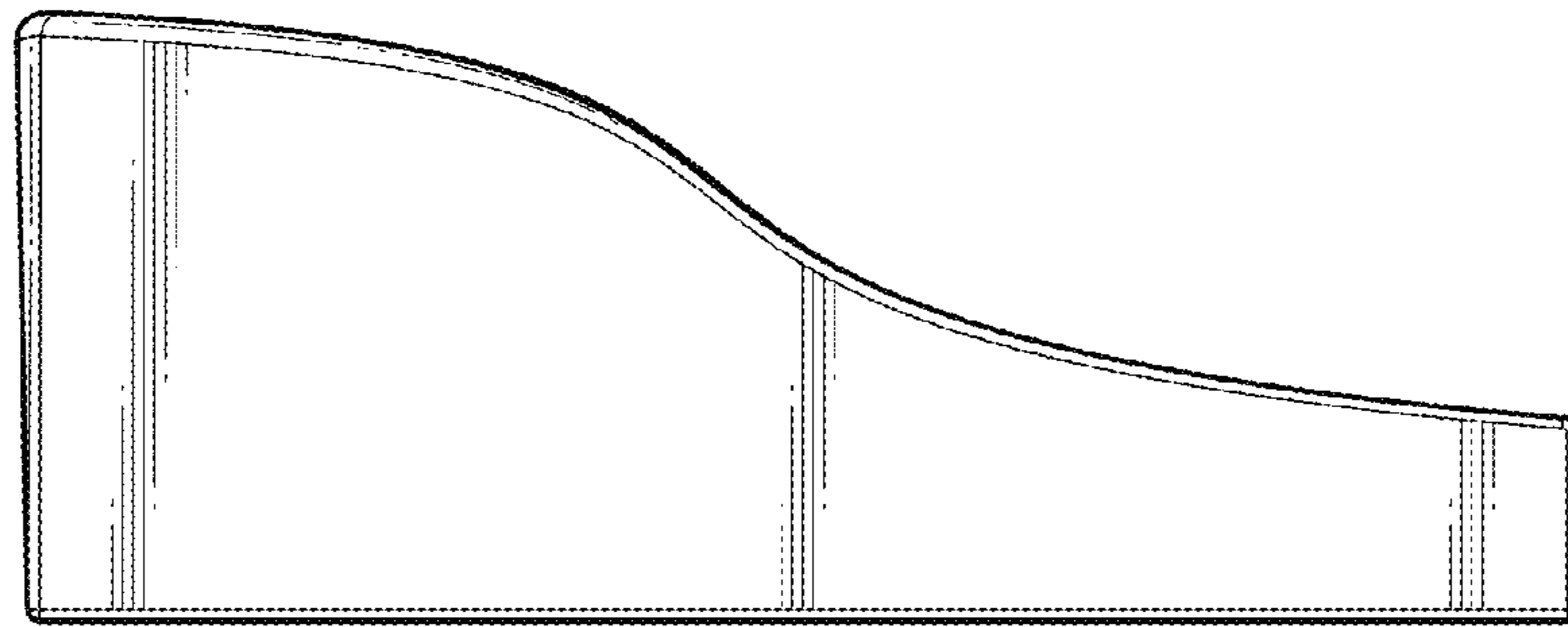
**FIG. 2**



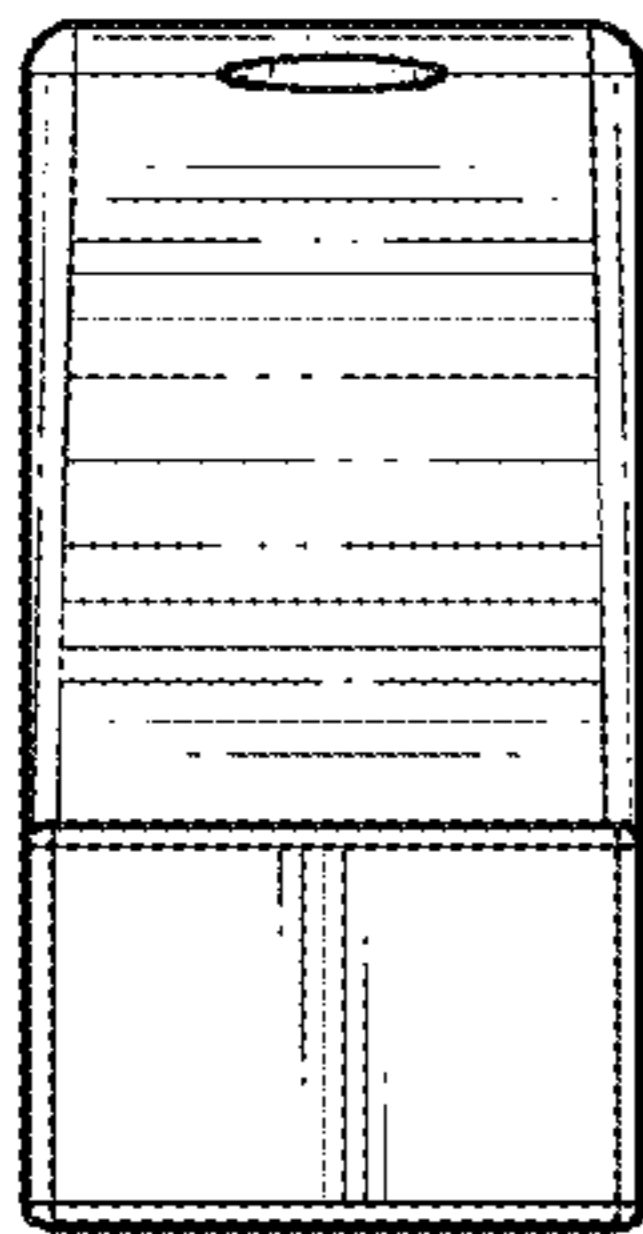
**FIG. 7**



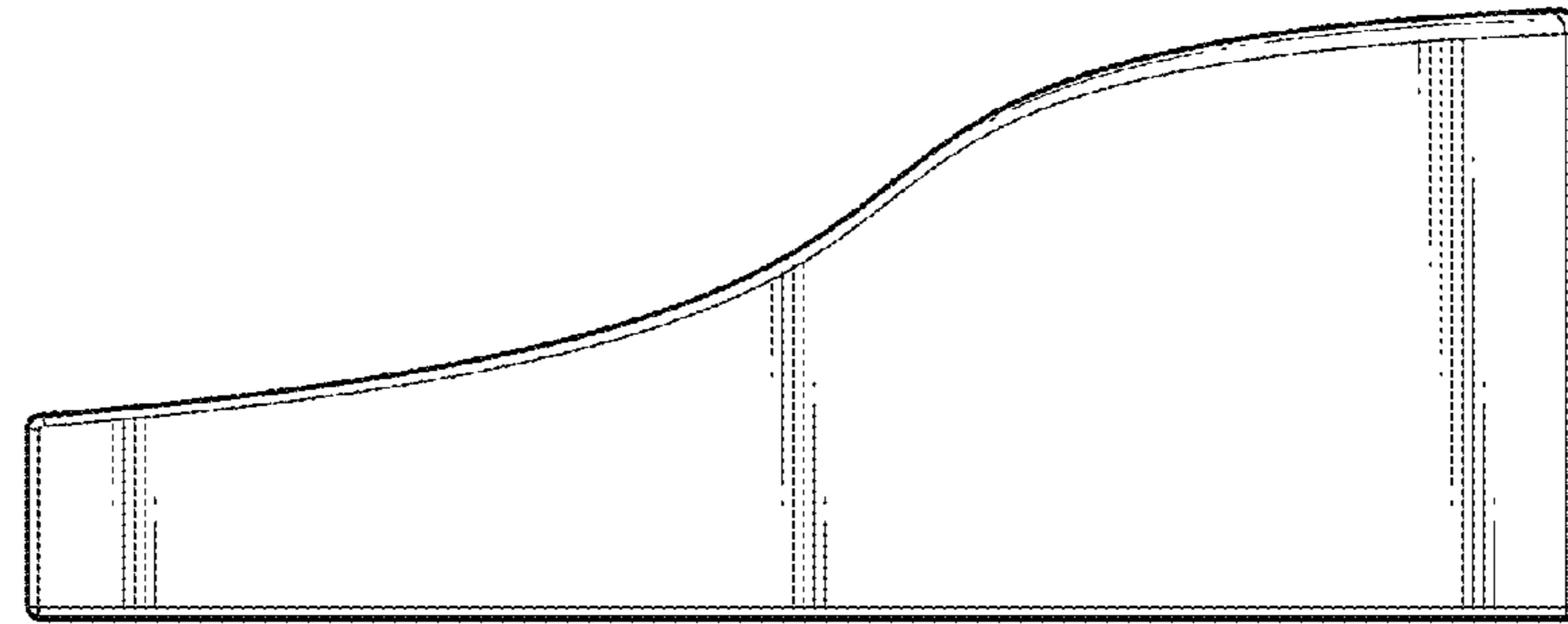
**FIG. 5**



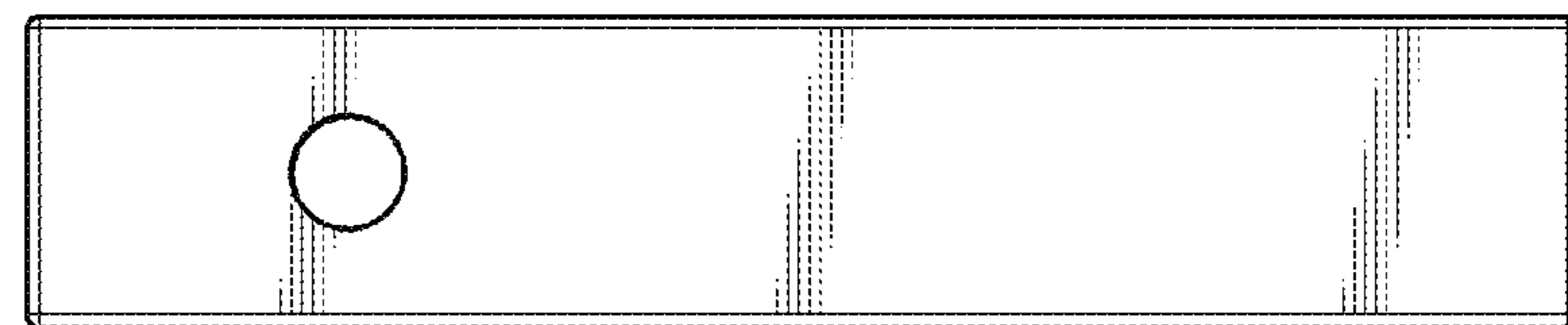
**FIG. 3**



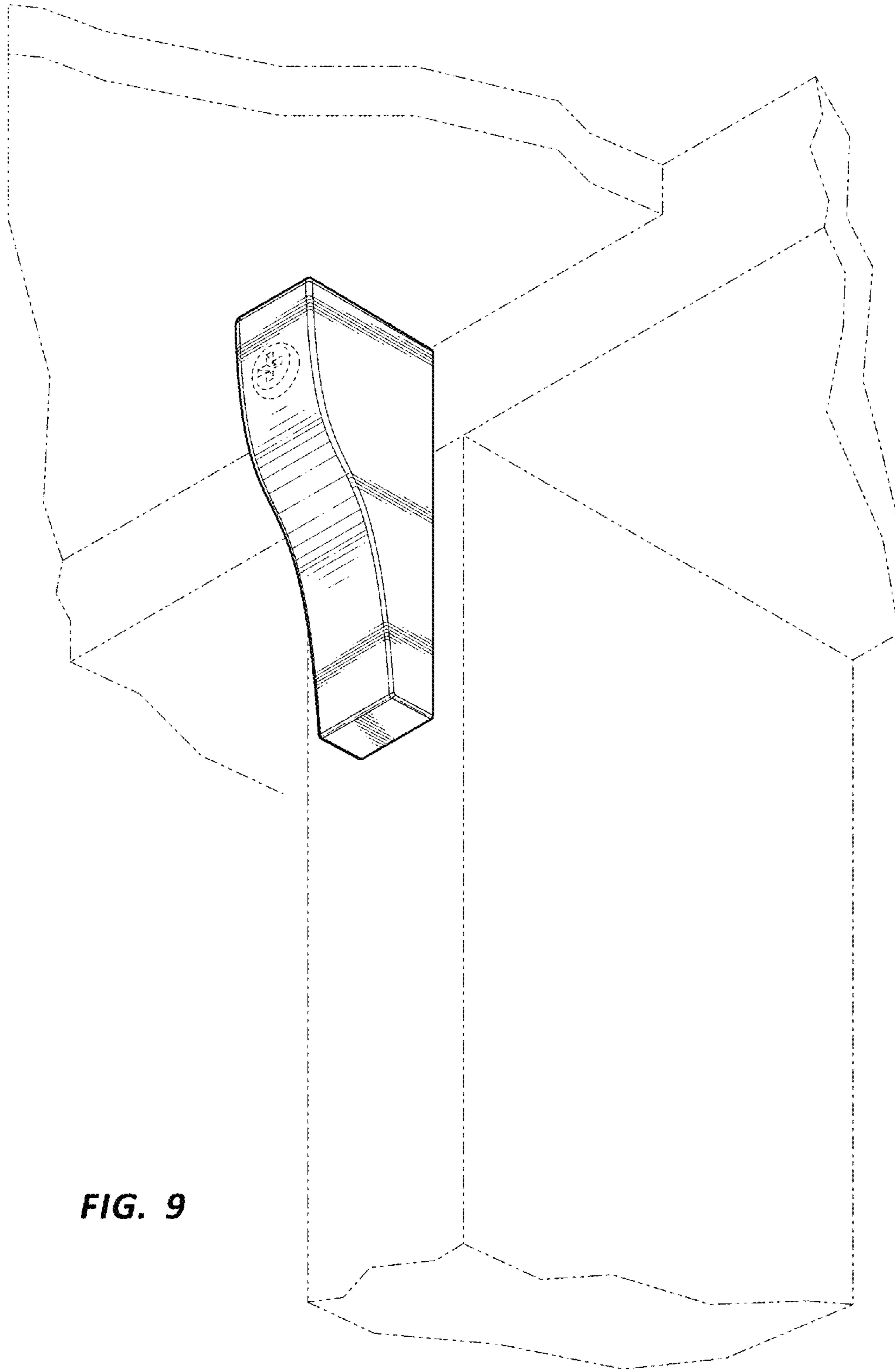
**FIG. 6**



**FIG. 4**



**FIG. 8**



**FIG. 9**