



US00D748458S

(12) **United States Design Patent**
Zech

(10) **Patent No.:** **US D748,458 S**
(45) **Date of Patent:** **** Feb. 2, 2016**

(54) **HANDBAG HOLDER**

(71) Applicant: **Ellen Zech**, Chicago, IL (US)
(72) Inventor: **Ellen Zech**, Chicago, IL (US)
(**) Term: **14 Years**

(21) Appl. No.: **29/504,480**

(22) Filed: **Oct. 7, 2014**

(51) **LOC (10) Cl.** **08-05**

(52) **U.S. Cl.**
USPC **D8/373**

(58) **Field of Classification Search**

USPC D8/16, 17, 18, 19, 20, 26, 363, 366,
D8/370-377, 380-382; D3/319; D20/42
CPC A47G 29/083; A47G 23/0225; Y10S
248/914; A47F 7/08

See application file for complete search history.

(56) **References Cited**

U.S. PATENT DOCUMENTS

2,726,004	A *	12/1955	McLeod	B65D 7/02 220/23.2
3,638,890	A	2/1972	Burrell et al.		
3,762,600	A *	10/1973	Kreutzweiser	H04R 5/02 206/320
D271,546	S *	11/1983	Smith	D6/324
5,005,791	A	4/1991	Lanzen		
5,246,190	A	9/1993	Swirkal		
5,427,262	A *	6/1995	Hanson	B65D 21/0204 220/23.4
D374,538	S *	10/1996	Hanson	D34/39
6,715,260	B1	4/2004	DeMatteis		
6,726,156	B1	4/2004	Scola		
D632,898	S	2/2011	Heroux		
8,640,890	B2	2/2014	Schiller		
D723,905	S *	3/2015	Fugett	D8/380

FOREIGN PATENT DOCUMENTS

CN	201256868	6/2009
JP	H08258850	10/1996
JP	2005212828	8/2005
JP	2005348759	12/2005
JP	2013146503	8/2013
KR	20130026660	3/2013

OTHER PUBLICATIONS

Images of Intel-Design Zia Swivel Hanging Handbag Holder obtained from www.amazon.com, last visited Jun. 12, 2014.

* cited by examiner

Primary Examiner — Robert M Spear

Assistant Examiner — Eliza Bennett-Hattan

(74) *Attorney, Agent, or Firm* — Beem Patent Law Firm

(57) **CLAIM**

The ornamental design for a handbag holder, as shown and described.

DESCRIPTION

FIG. 1 is a perspective view of a handbag holder showing the new design with a handbag and cover shown as environment. FIG. 2 is a perspective view of the bottom of the handbag holder of FIG. 1.

FIG. 3 is a front view of the holder of FIG. 1.

FIG. 4 is a rear view of the holder of FIG. 1.

FIG. 5 is a left view of the holder of FIG. 1.

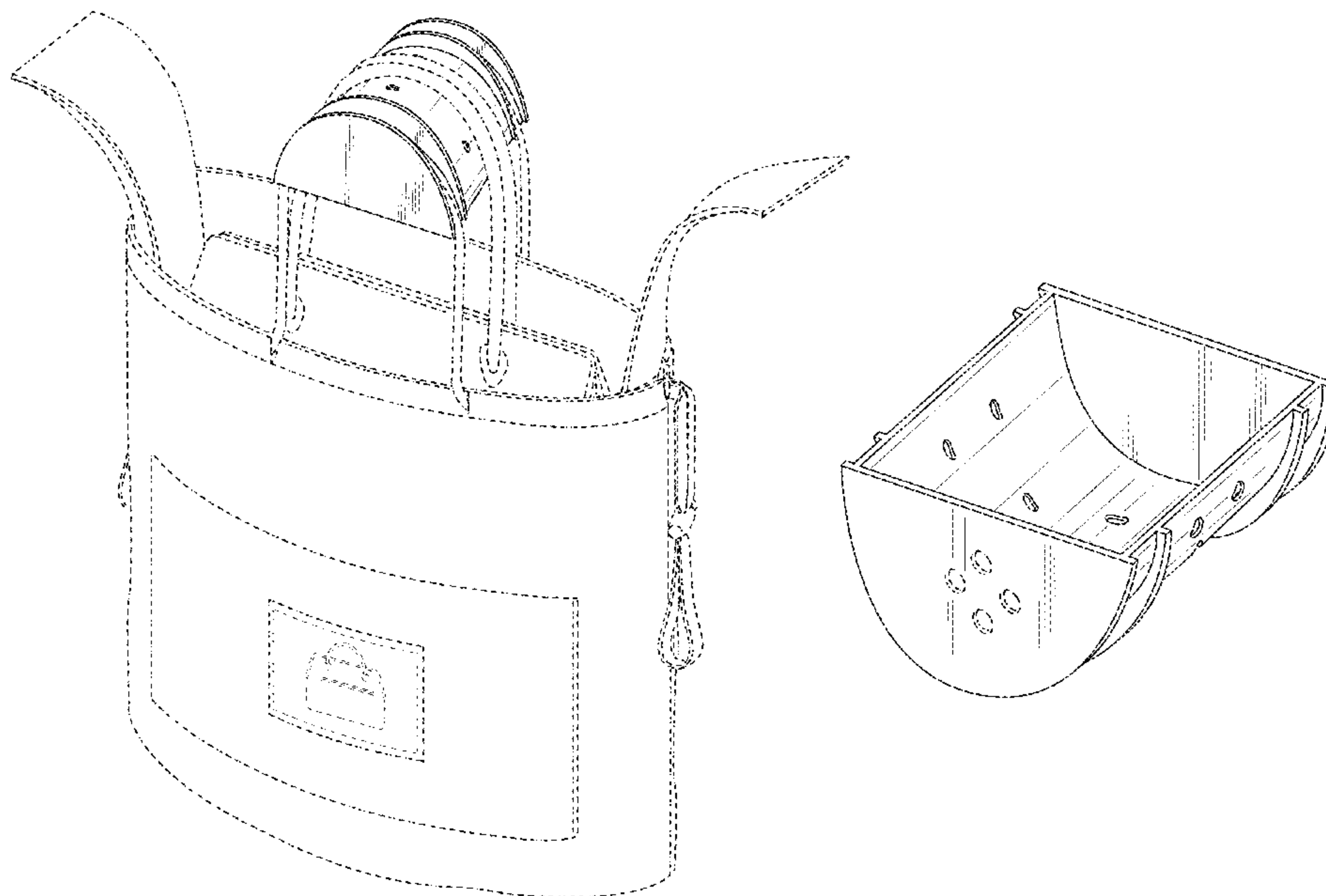
FIG. 6 is a right view of the holder of FIG. 1.

FIG. 7 is a top view of the holder of FIG. 1; and,

FIG. 8 is a bottom view of the holder of FIG. 1.

The broken-line disclosure in the views depicts environmental subject matter only and forms no part of the claimed design.

1 Claim, 4 Drawing Sheets



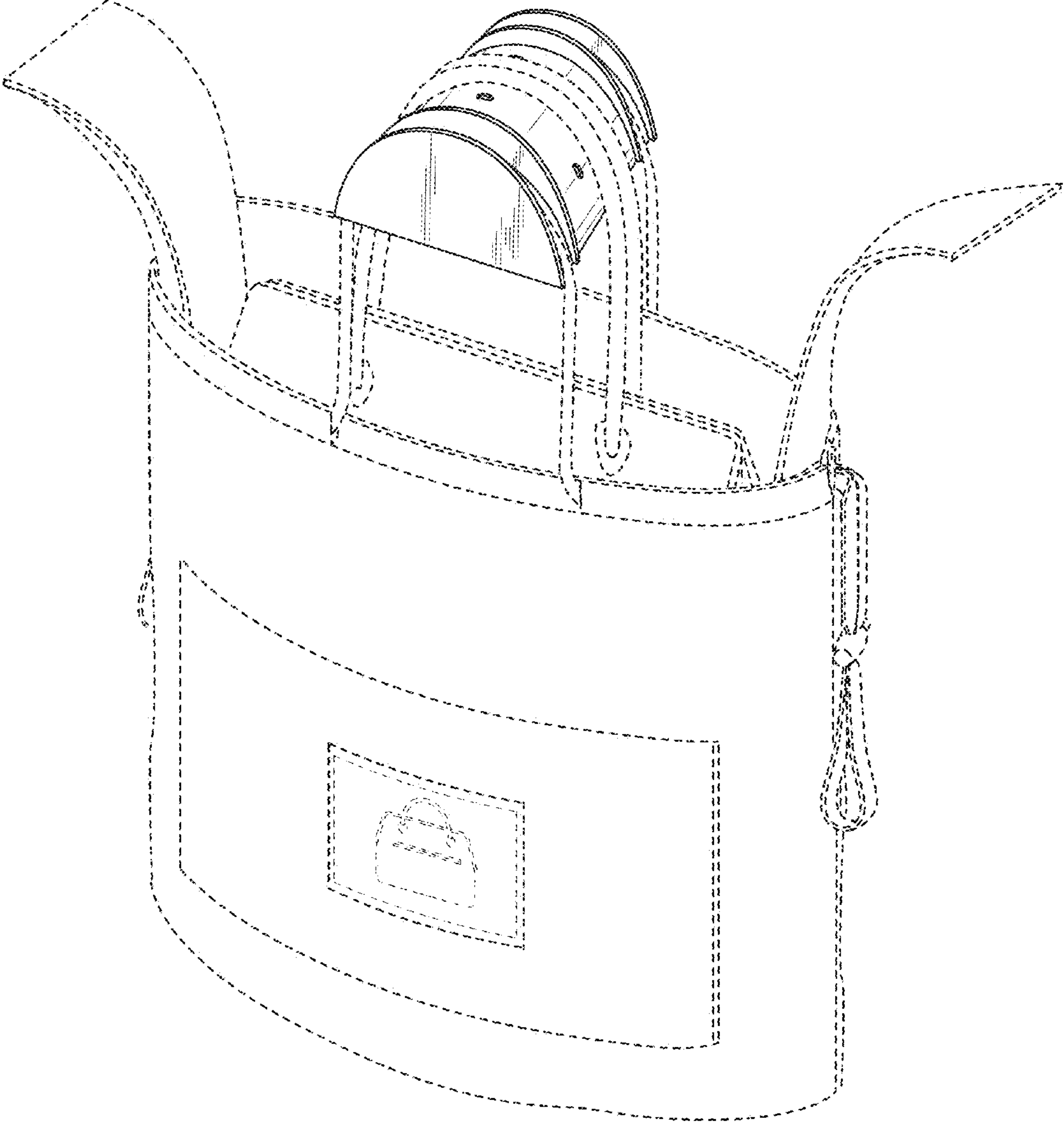


FIG. 1

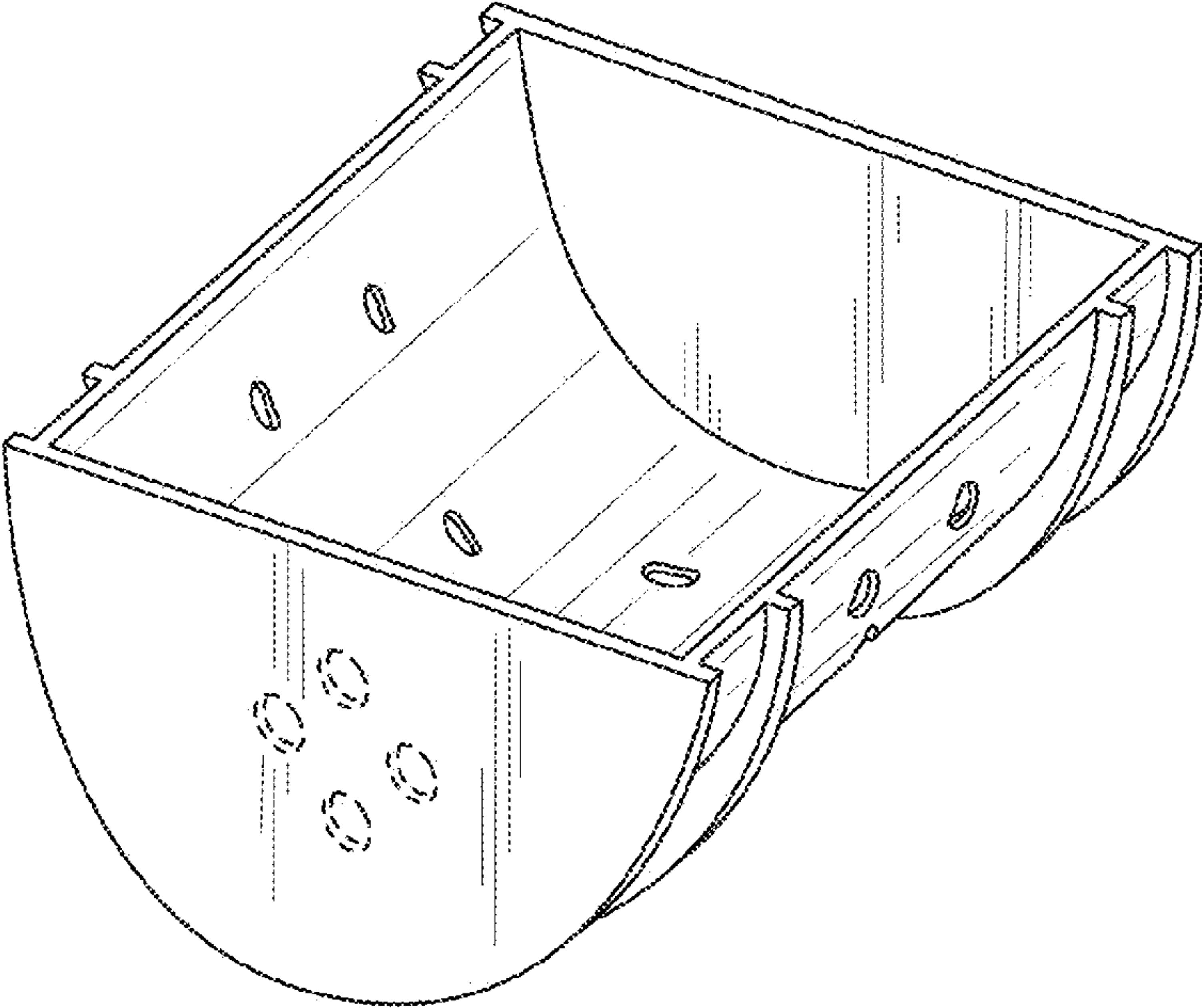


FIG. 2

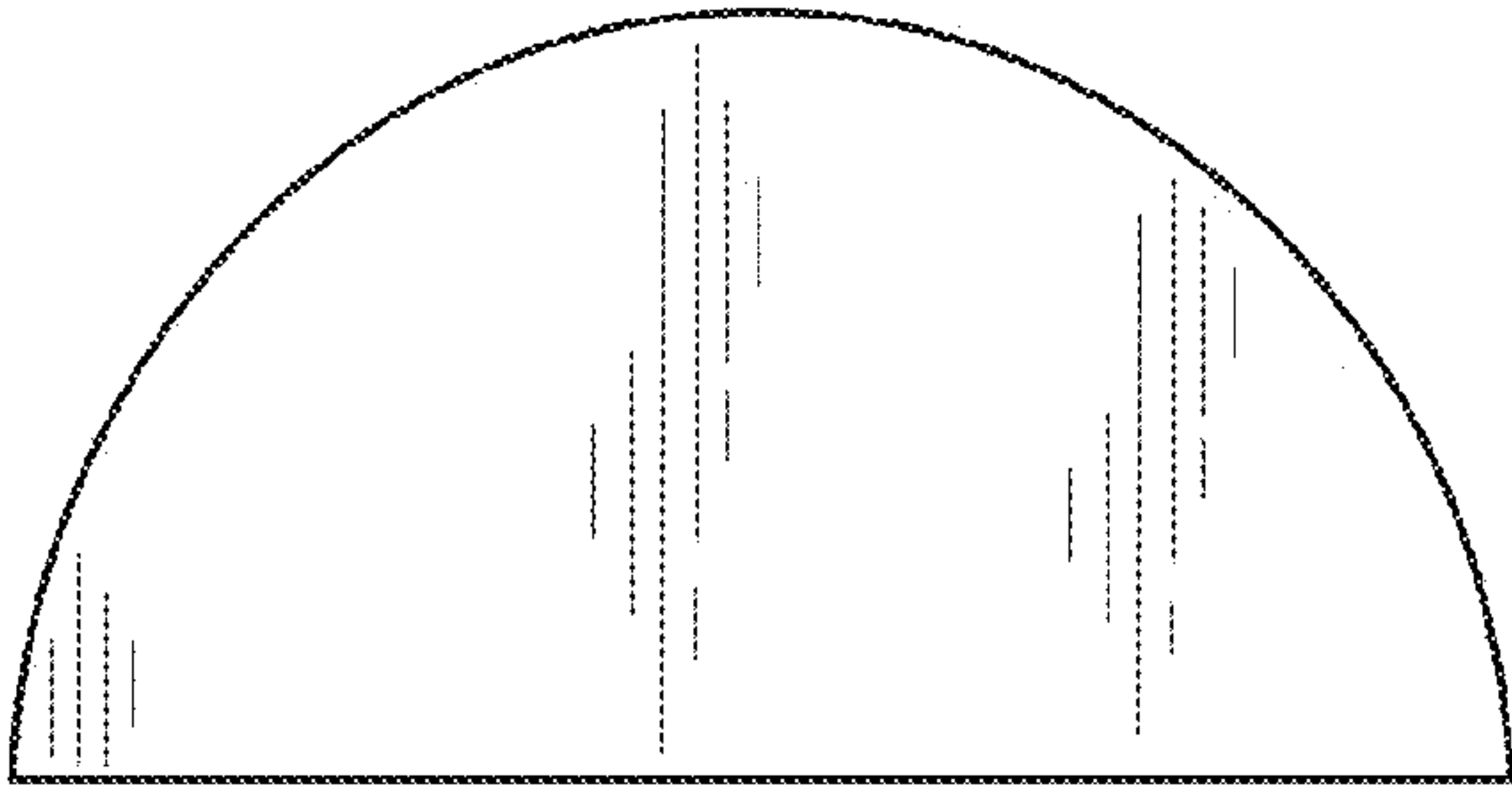


FIG. 3

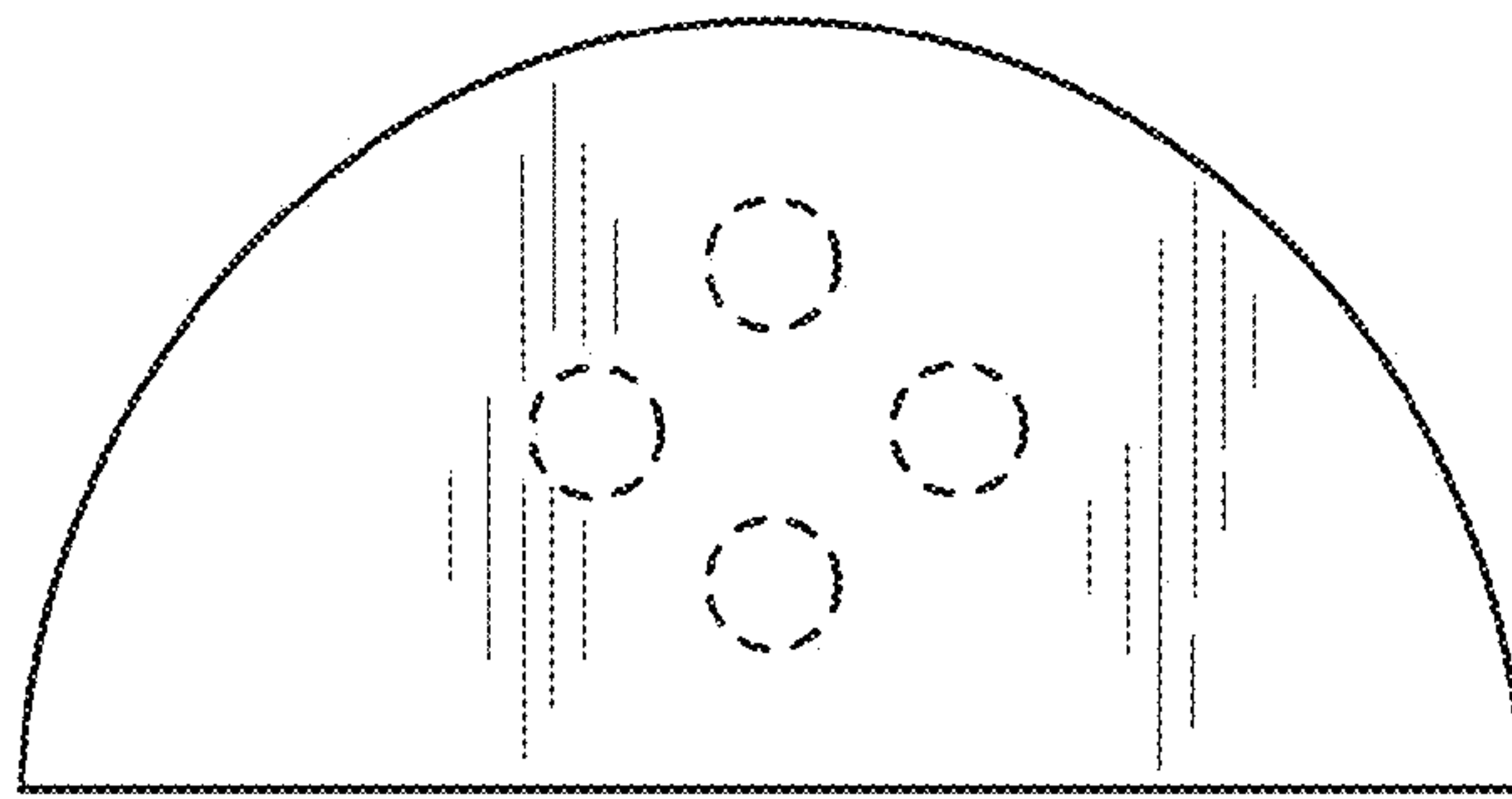


FIG. 4

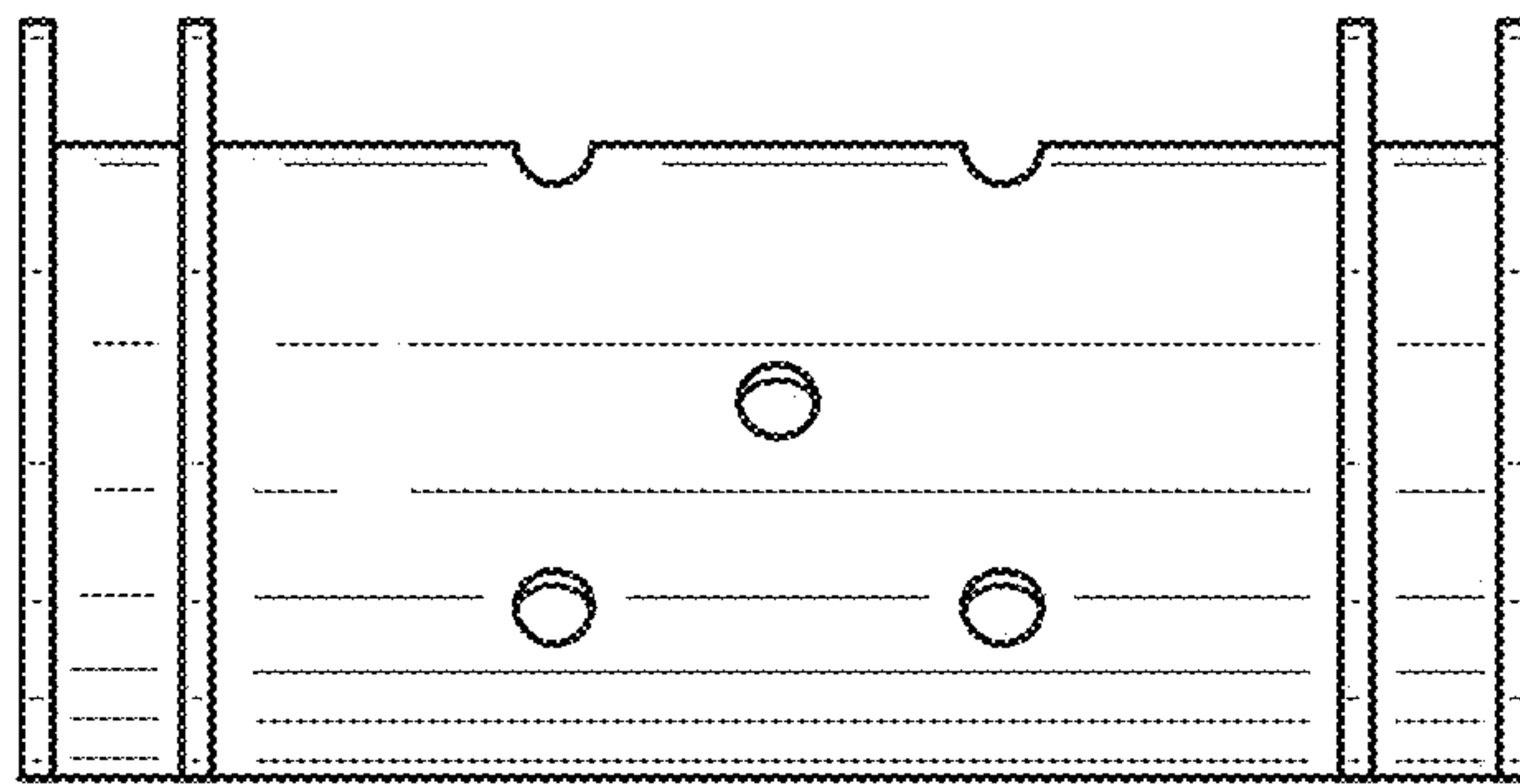


FIG. 5

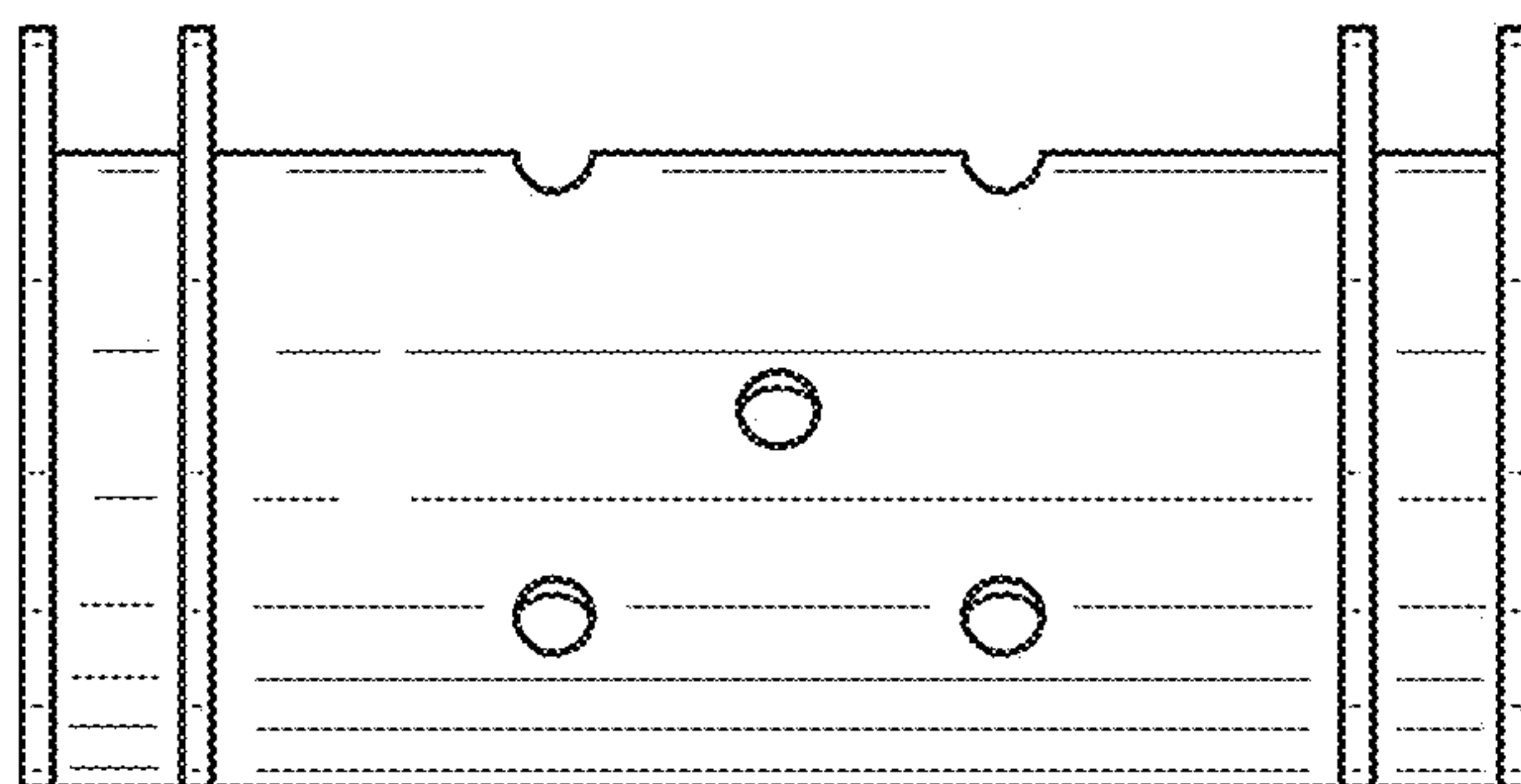


FIG. 6

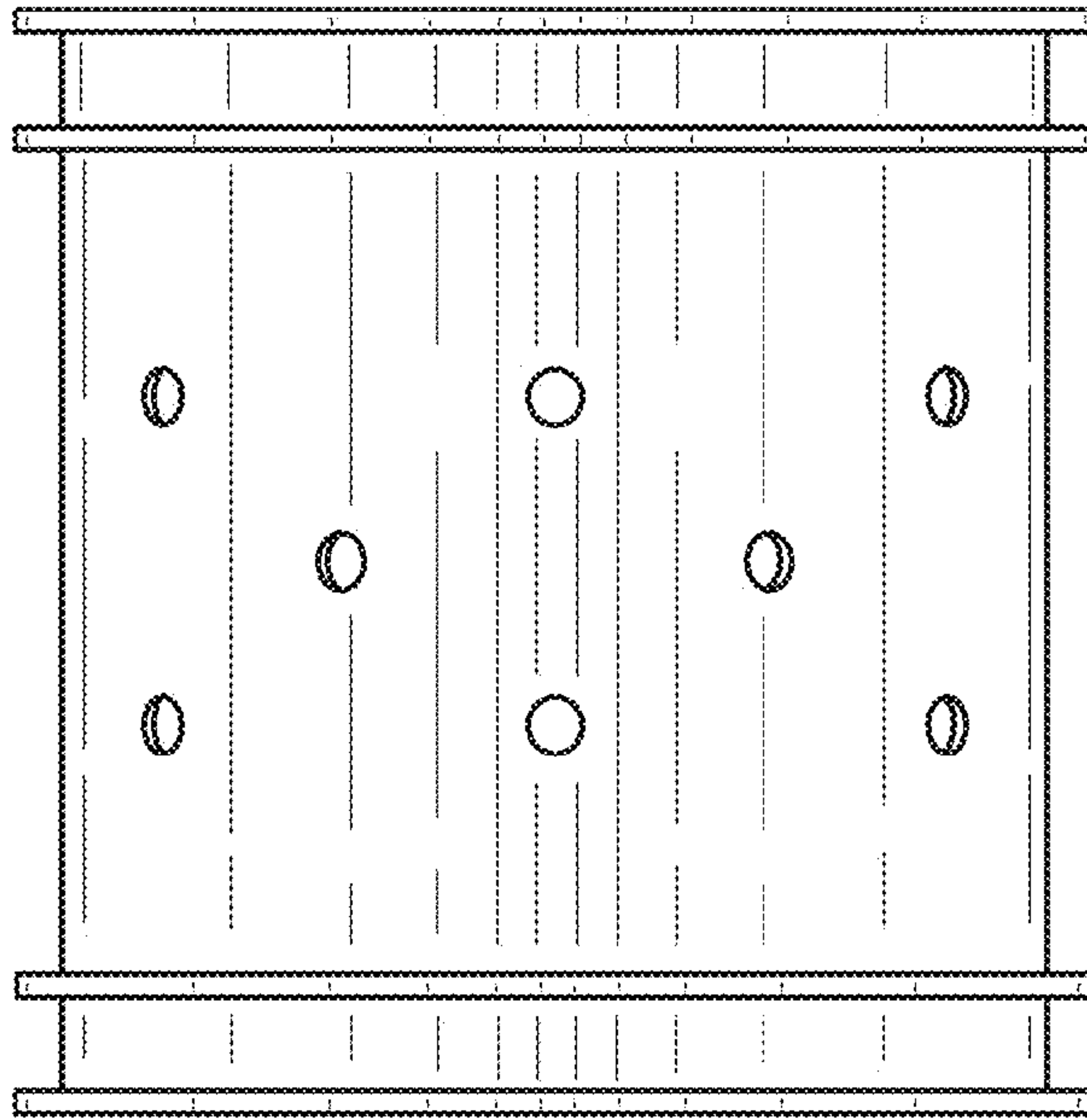


FIG. 7

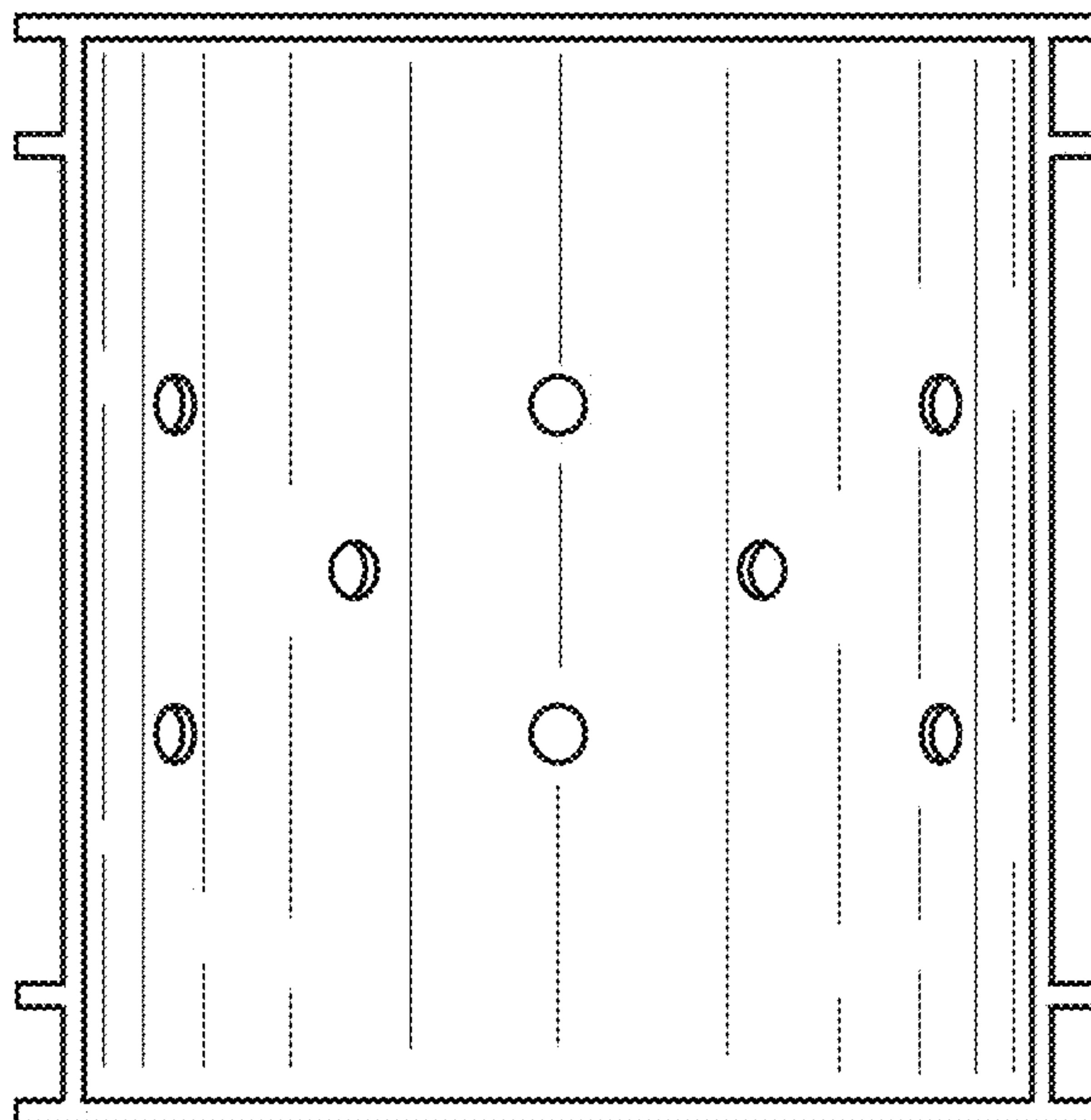


FIG. 8