



US00D748457S

(12) **United States Design Patent**
Lockridge

(10) **Patent No.:** **US D748,457 S**
(45) **Date of Patent:** **** Feb. 2, 2016**

(54) **PIVOTING BRACKET FOR HUNTING TROPHY DISPLAY**

- (71) Applicant: **David Lockridge**, Lineville, AL (US)
- (72) Inventor: **David Lockridge**, Lineville, AL (US)
- (73) Assignee: **Do-All Traps, LLC**, Nashville, TN (US)
- (**) Term: **14 Years**
- (21) Appl. No.: **29/502,082**
- (22) Filed: **Sep. 11, 2014**
- (51) **LOC (10) Cl.** **08-05**
- (52) **U.S. Cl.**
USPC **D8/363**
- (58) **Field of Classification Search**
USPC D8/16, 18, 19, 20, 105, 356, 363, 366,
D8/370-377, 380-382; D6/406.2;
D12/106, 48
See application file for complete search history.

(56) **References Cited**

U.S. PATENT DOCUMENTS

D436,519 S *	1/2001	Shampine	D8/356
D590,698 S *	4/2009	Moore et al.	D8/363
D714,073 S *	9/2014	Pittman	D6/406.2
D714,130 S *	9/2014	Kao et al.	D8/377
8,991,625 B2 *	3/2015	Bucklew et al.	211/105.2

* cited by examiner

Primary Examiner — Robert M Spear
Assistant Examiner — Eliza Bennett-Hattan
(74) *Attorney, Agent, or Firm* — Miller & Martin PLLC

(57) **CLAIM**

The ornamental design for the pivoting bracket for hunting trophy display, as shown and described.

DESCRIPTION

FIG. 1 is a top front left perspective view of the assembled pivoting bracket for hunting trophy display;

FIG. 2, shown removed from the pivoting bracket for hunting trophy display for clarity of disclosure, is a top front right perspective view of the back bracket portion of the pivoting bracket for hunting trophy display of FIG. 1;

FIG. 3 is a right side elevation view of the back bracket portion of FIG. 2, shown removed from the pivoting bracket for hunting trophy display for clarity of disclosure, the left side elevation view being a mirror image thereof;

FIG. 4 is a top plan view of the back bracket portion of FIG. 2, shown removed from the pivoting bracket for hunting trophy display for clarity of disclosure;

FIG. 5 is a front elevation view of the back bracket portion of FIG. 2, shown removed from the pivoting bracket for hunting trophy display for clarity of disclosure;

FIG. 6 is a bottom plan view of the back bracket portion of FIG. 2, shown removed from the pivoting bracket for hunting trophy display for clarity of disclosure;

FIG. 7 is a back elevation view of the back bracket portion of FIG. 2, shown removed from the pivoting bracket for hunting trophy display for clarity of disclosure;

FIG. 8, shown removed from the pivoting bracket for hunting trophy display for clarity of disclosure, is a back left bottom perspective view of a front pin portion of the pivoting bracket for hunting trophy display of FIG. 1;

FIG. 9 is a right side elevation view of the front pin portion of FIG. 8, shown removed from the pivoting bracket for hunting trophy display for clarity of disclosure, the left side elevation view being a mirror image thereof;

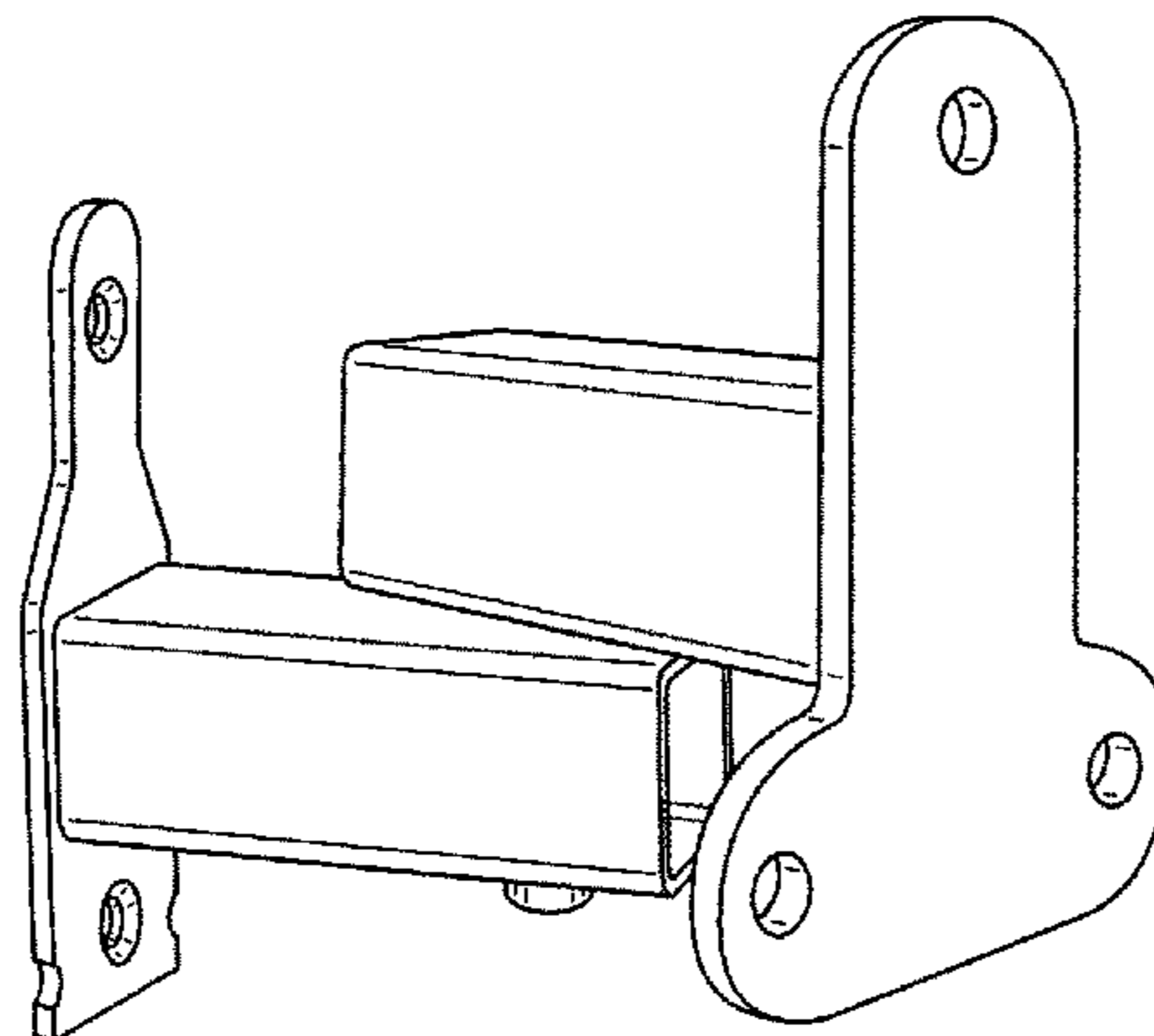
FIG. 10 is a top plan view of the front pin portion of FIG. 8, shown removed from the pivoting bracket for hunting trophy display for clarity of disclosure;

FIG. 11 is a back elevation view of the front pin portion of FIG. 8, shown removed from the pivoting bracket for hunting trophy display for clarity of disclosure;

FIG. 12 is a bottom plan view of the front pin portion of FIG. 8, shown removed from the pivoting bracket for hunting trophy display for clarity of disclosure; and,

FIG. 13 is a front elevation view of the front pin portion of FIG. 8, shown removed from the pivoting bracket for hunting trophy display for clarity of disclosure.

1 Claim, 3 Drawing Sheets



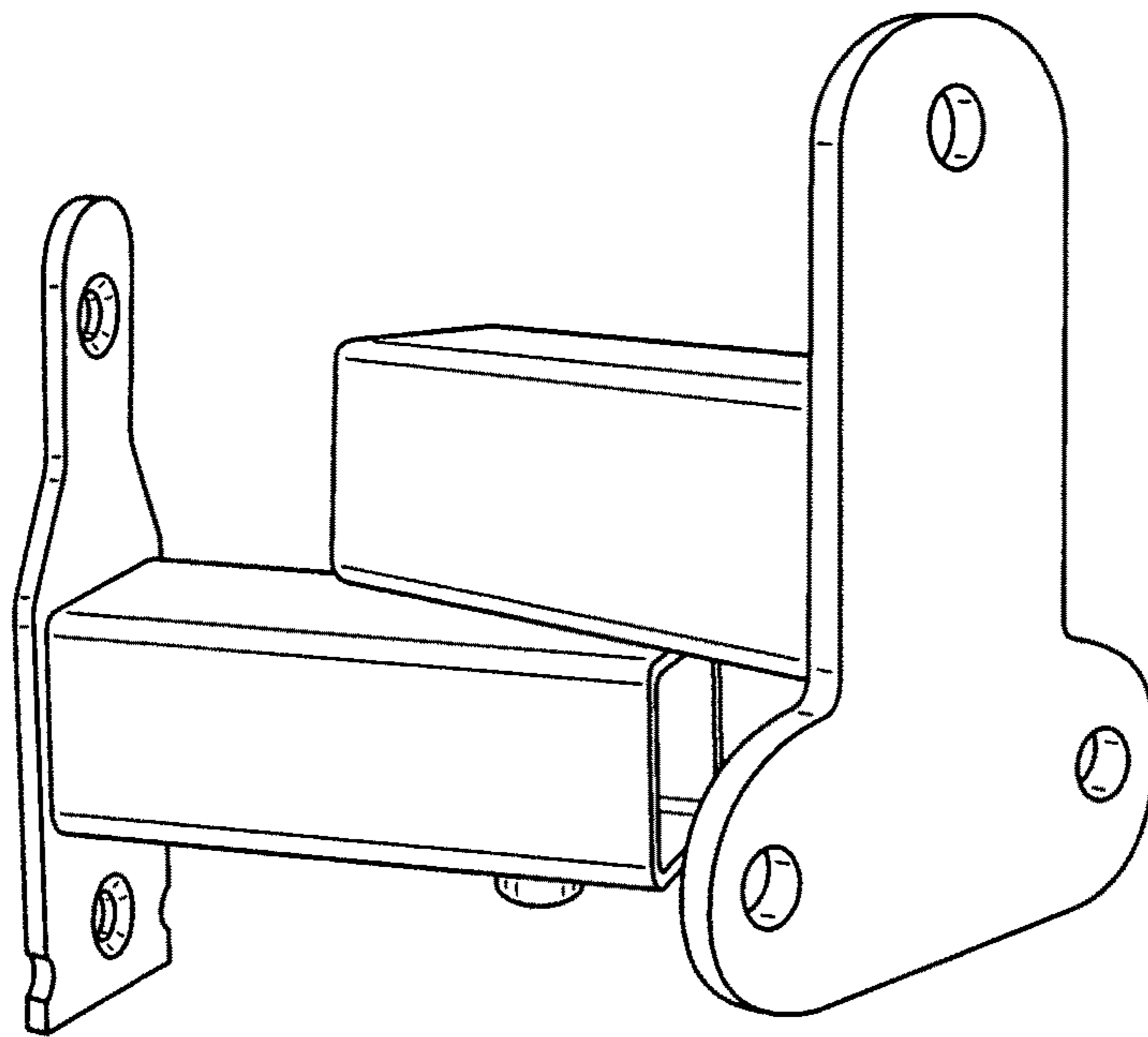


FIG. 1

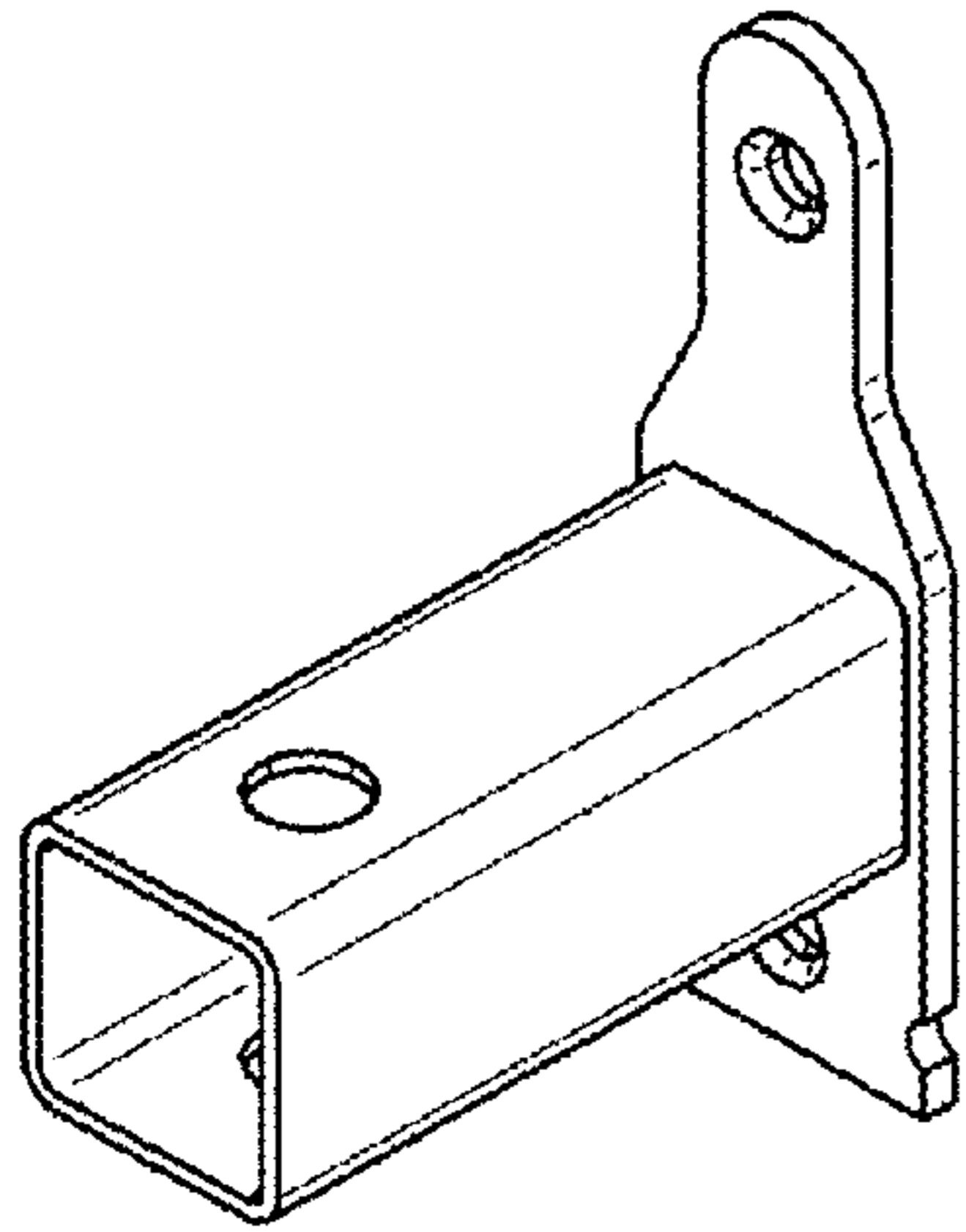


FIG. 2

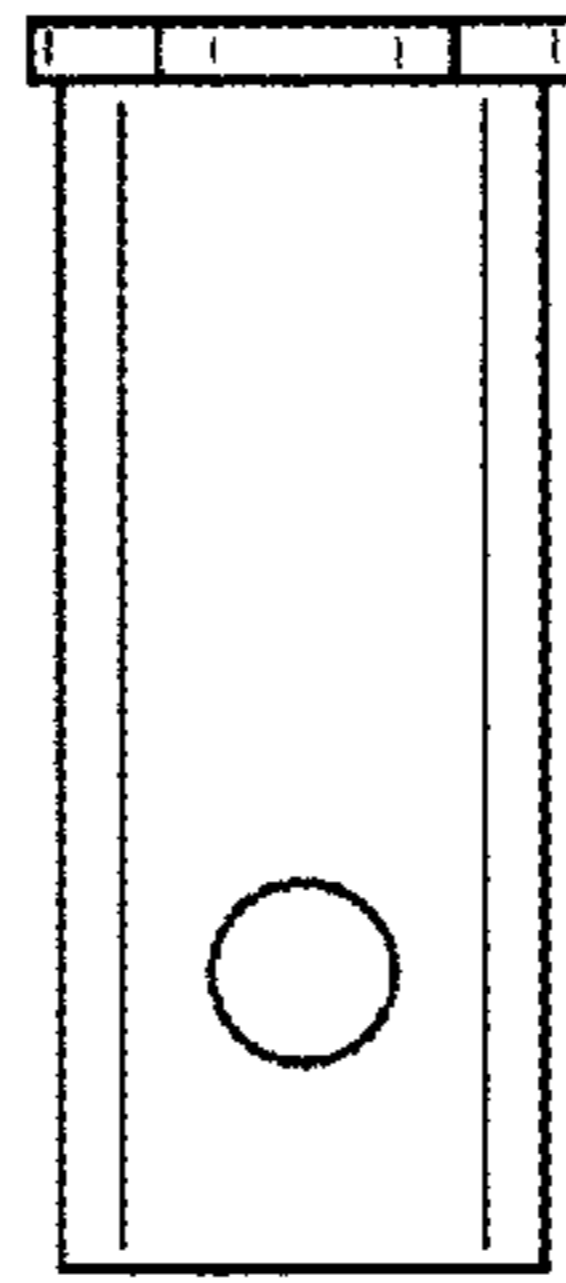


FIG. 4

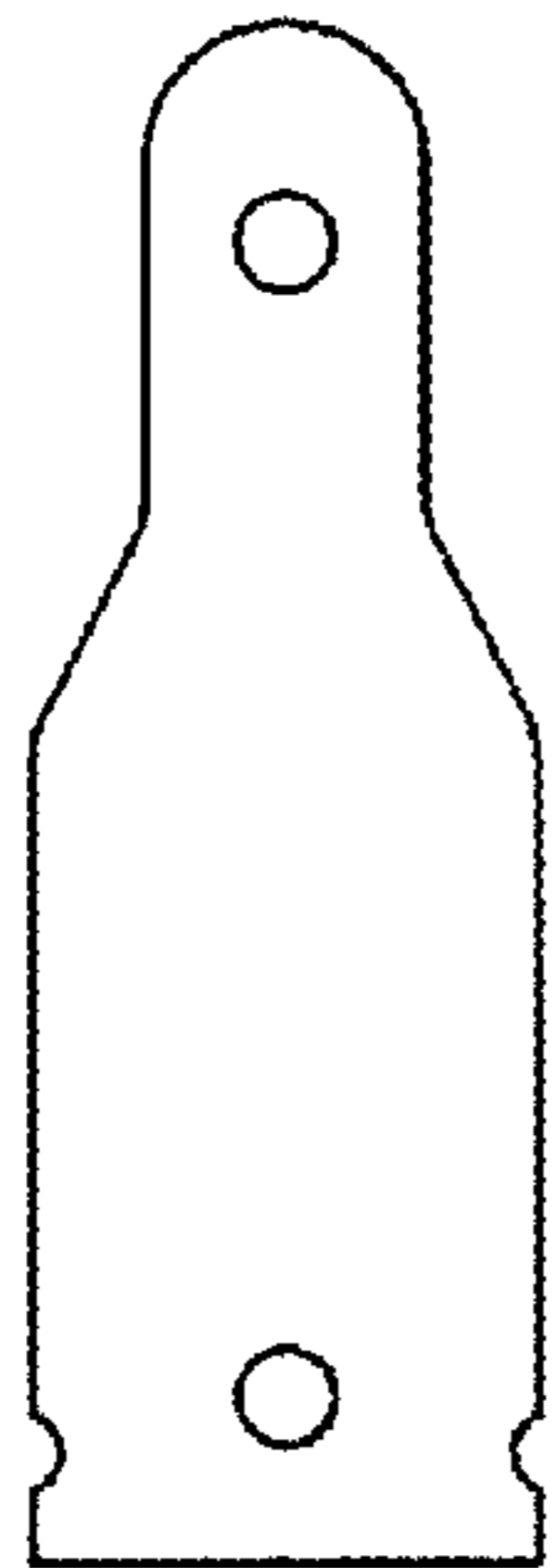


FIG. 7

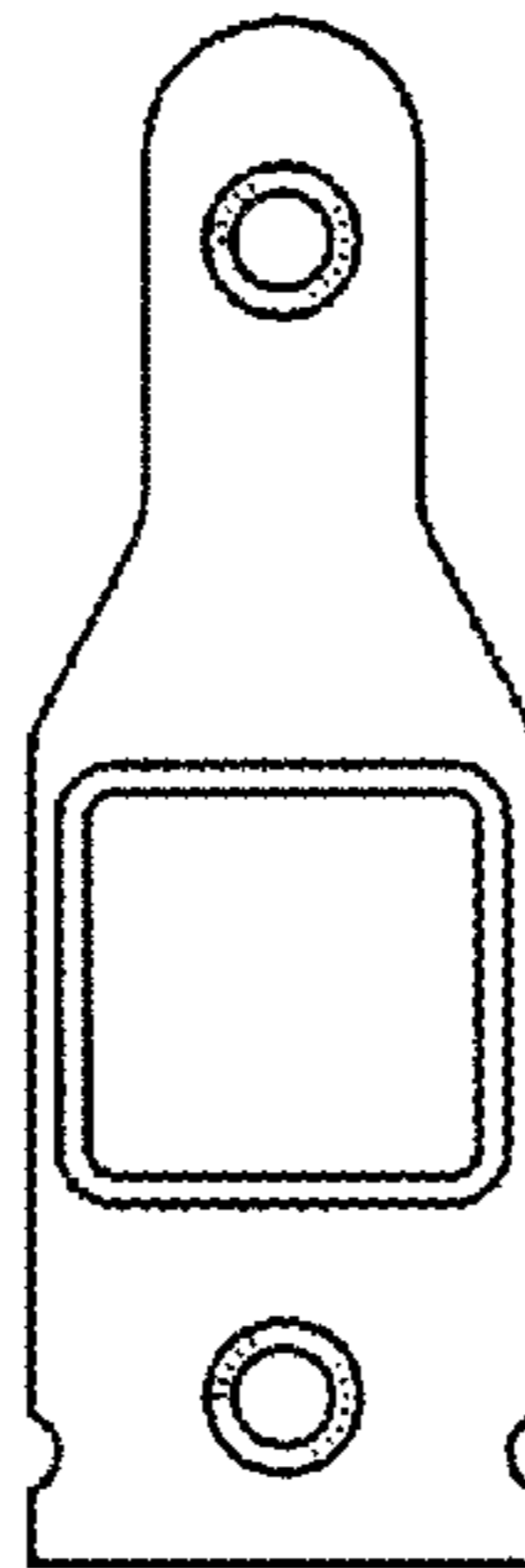


FIG. 5

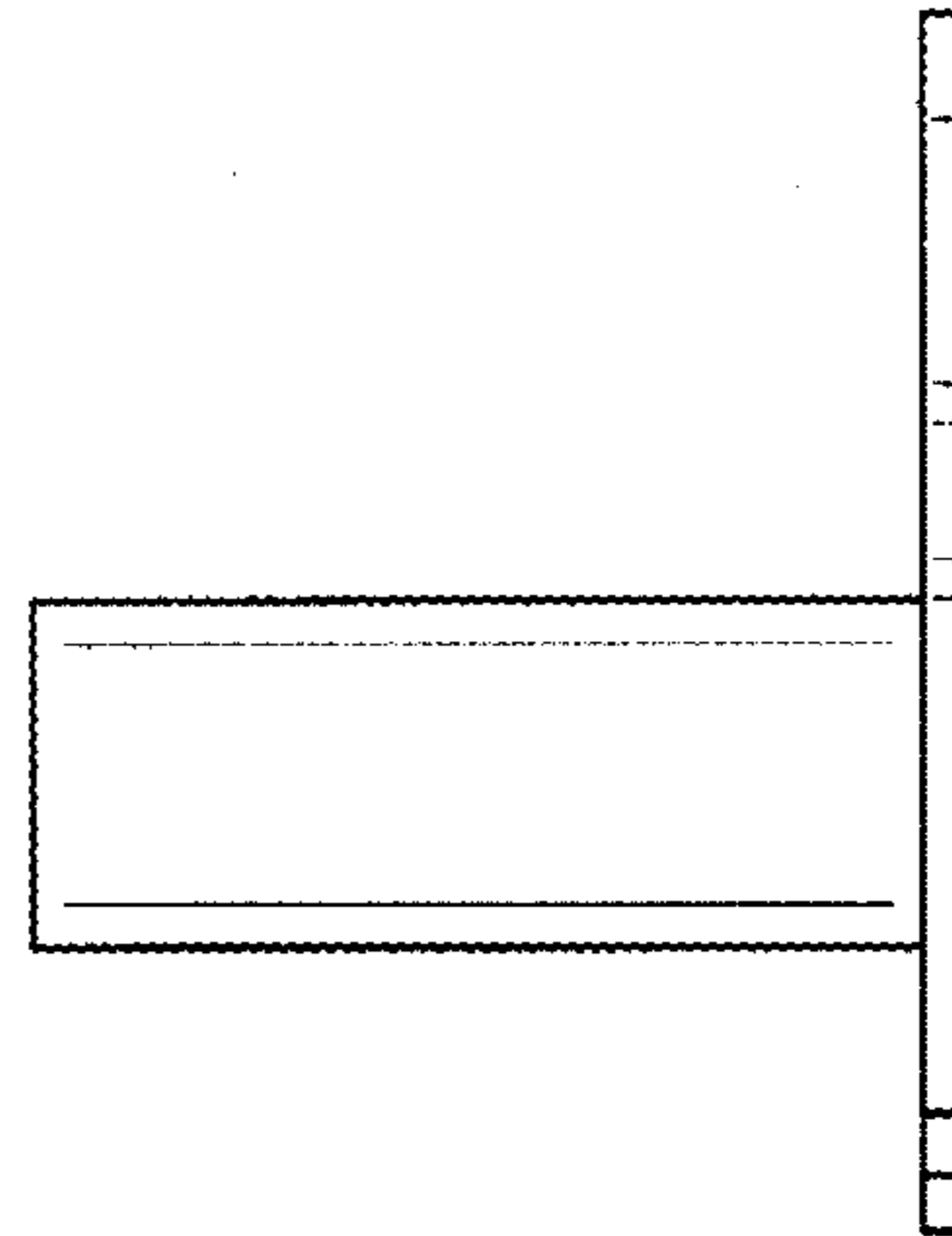


FIG. 3

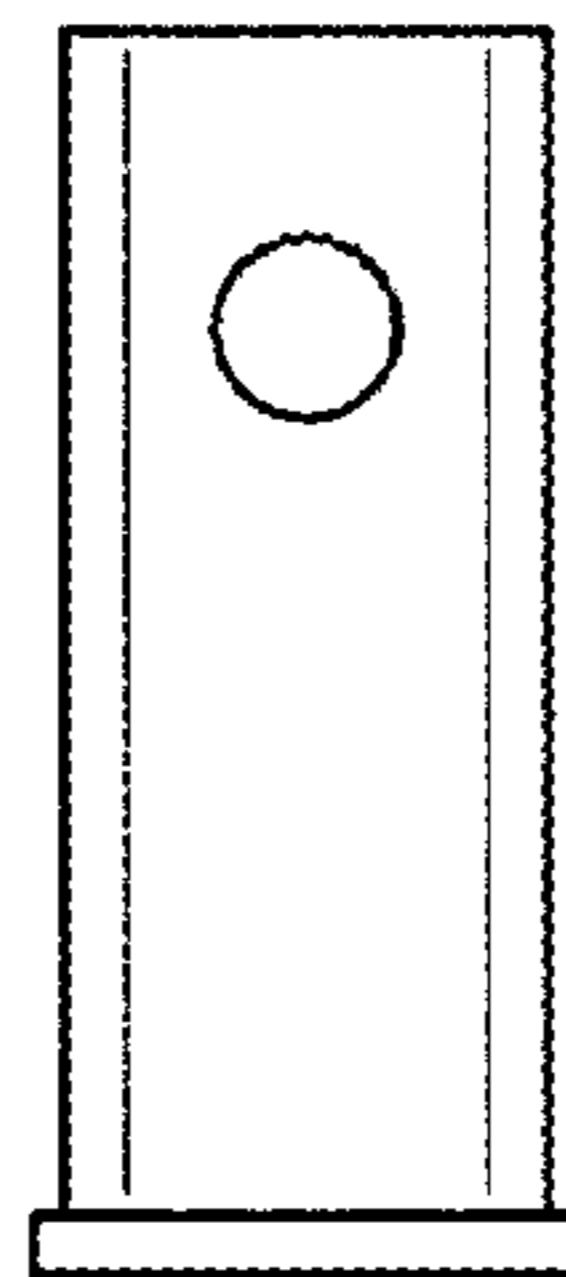


FIG. 6

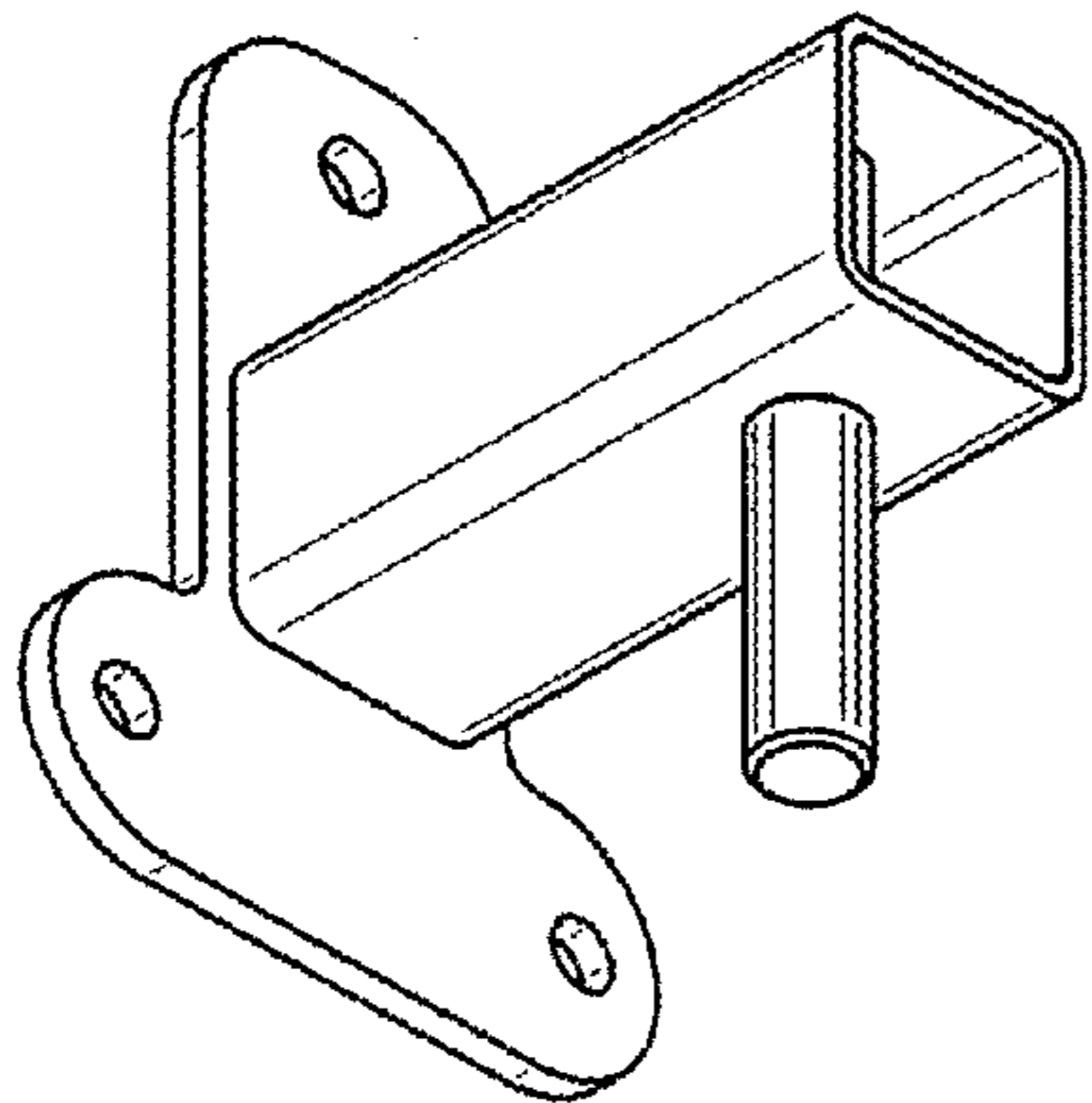


FIG. 8

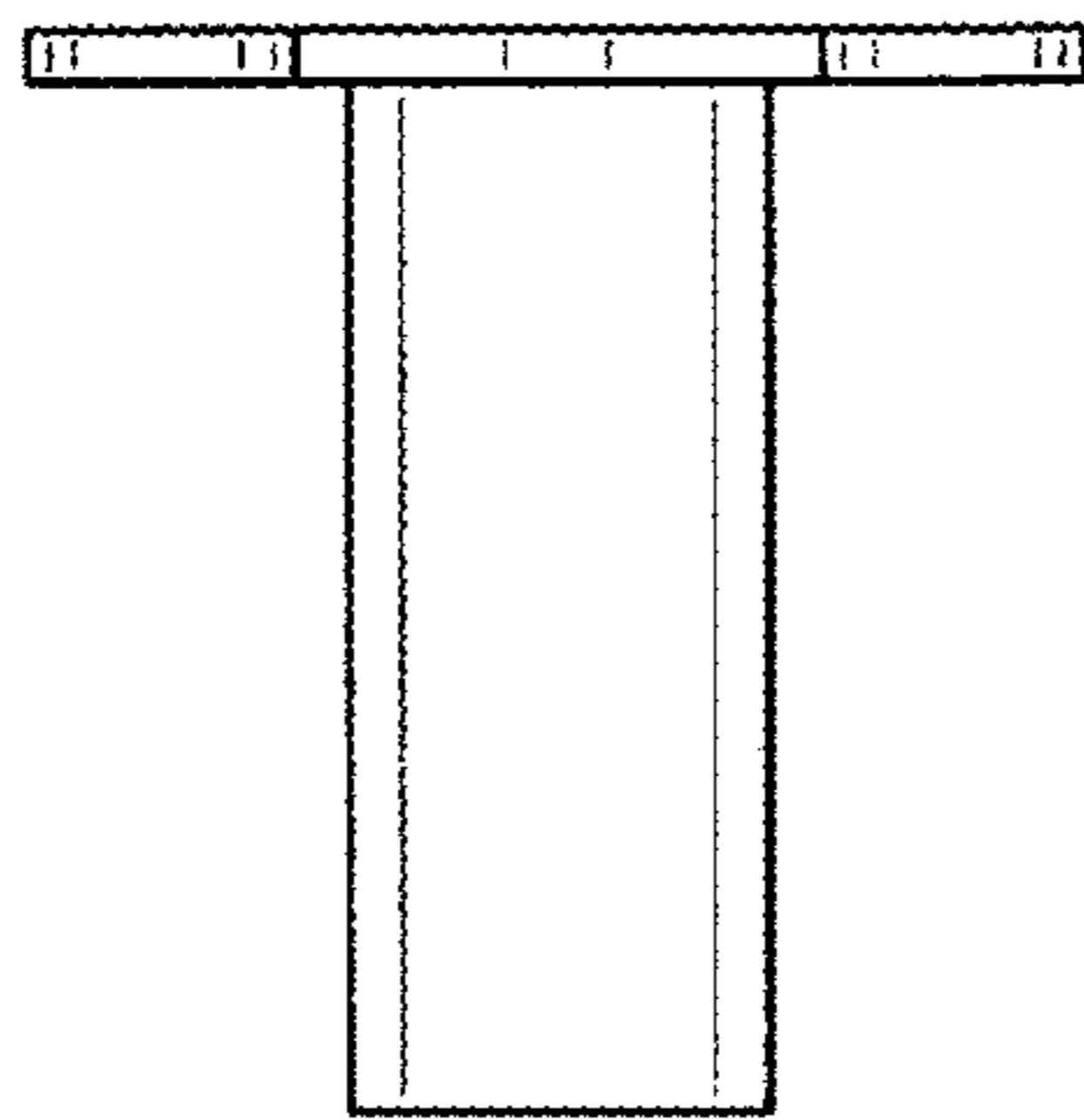


FIG. 10

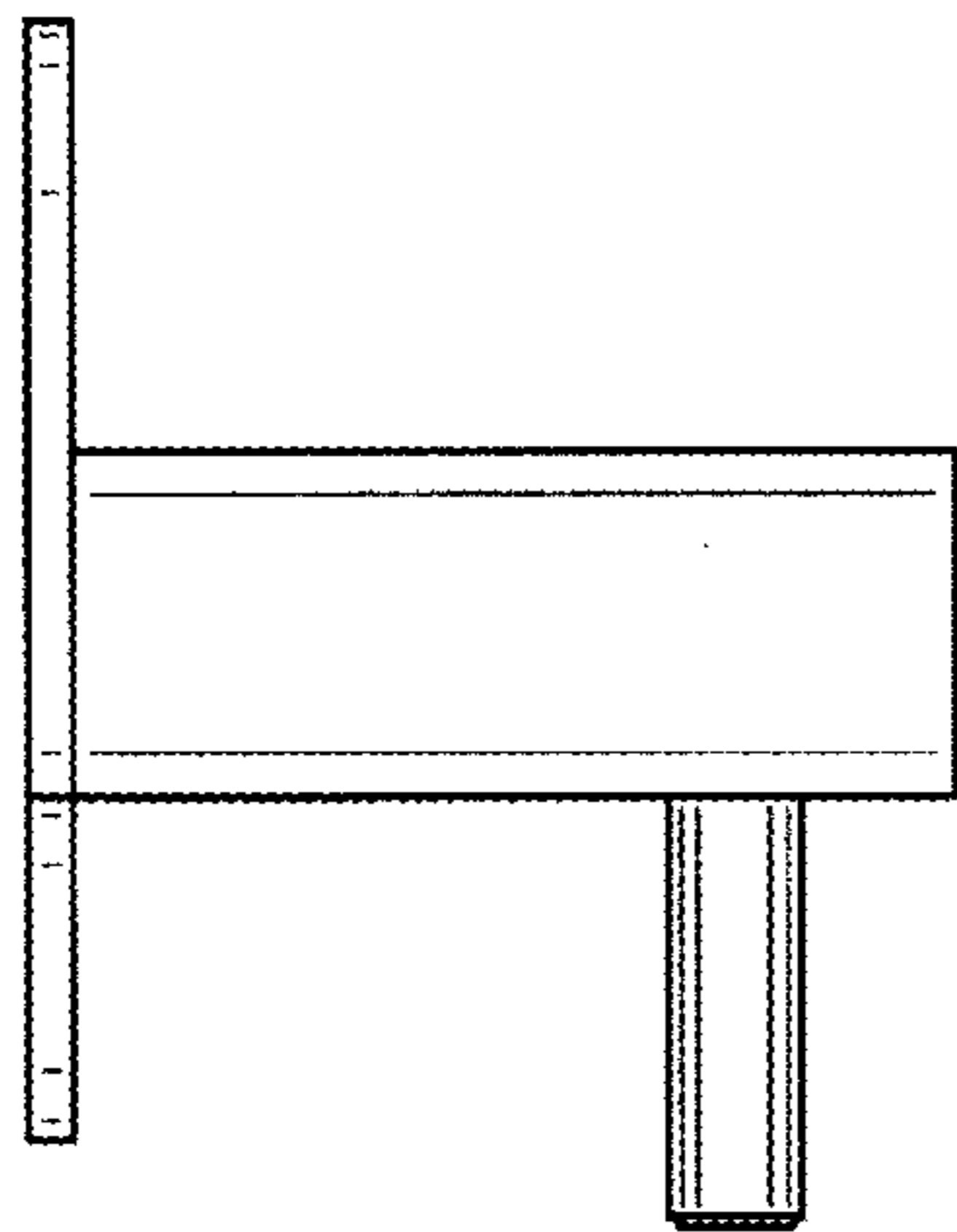


FIG. 9

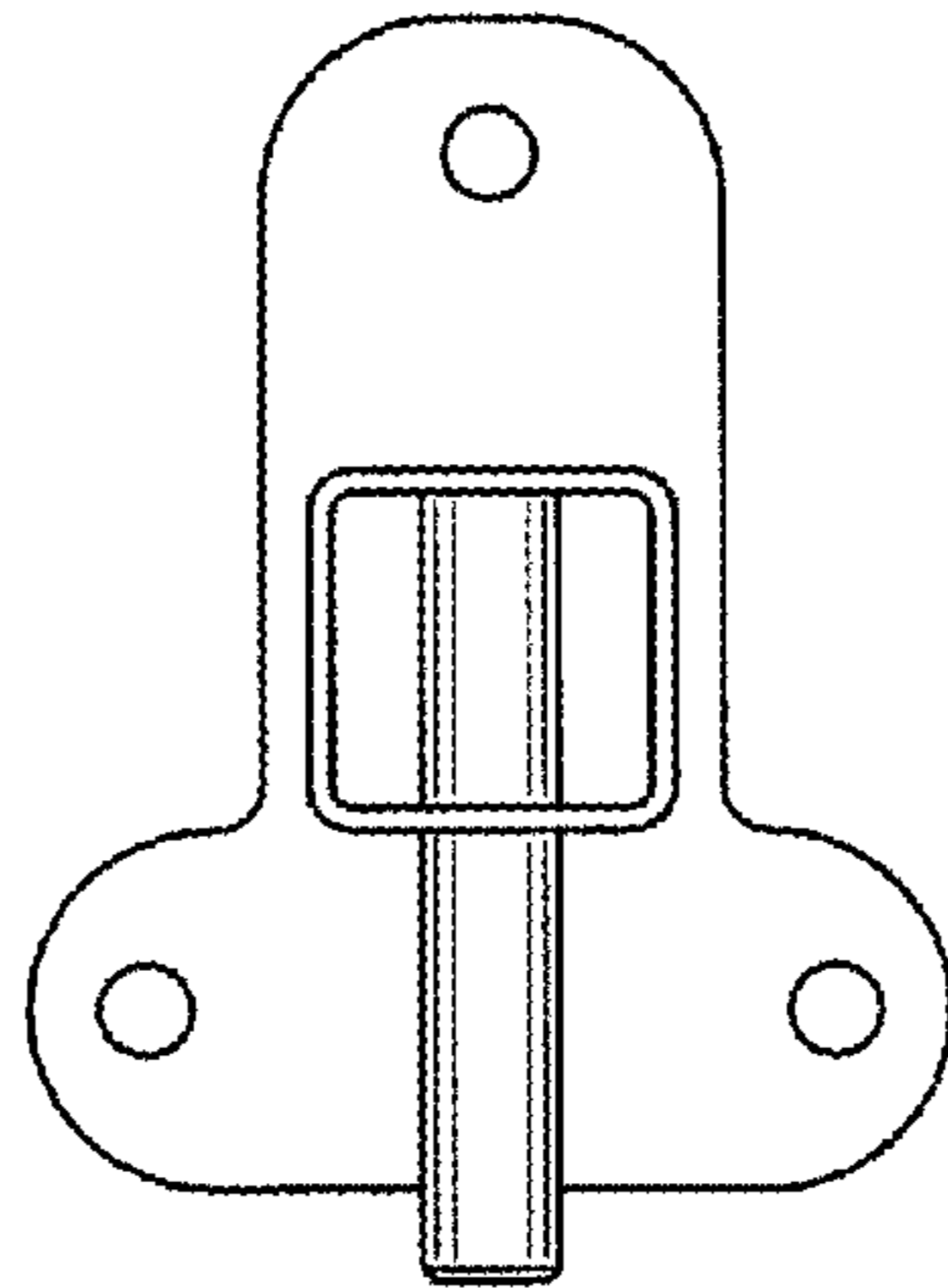


FIG. 11

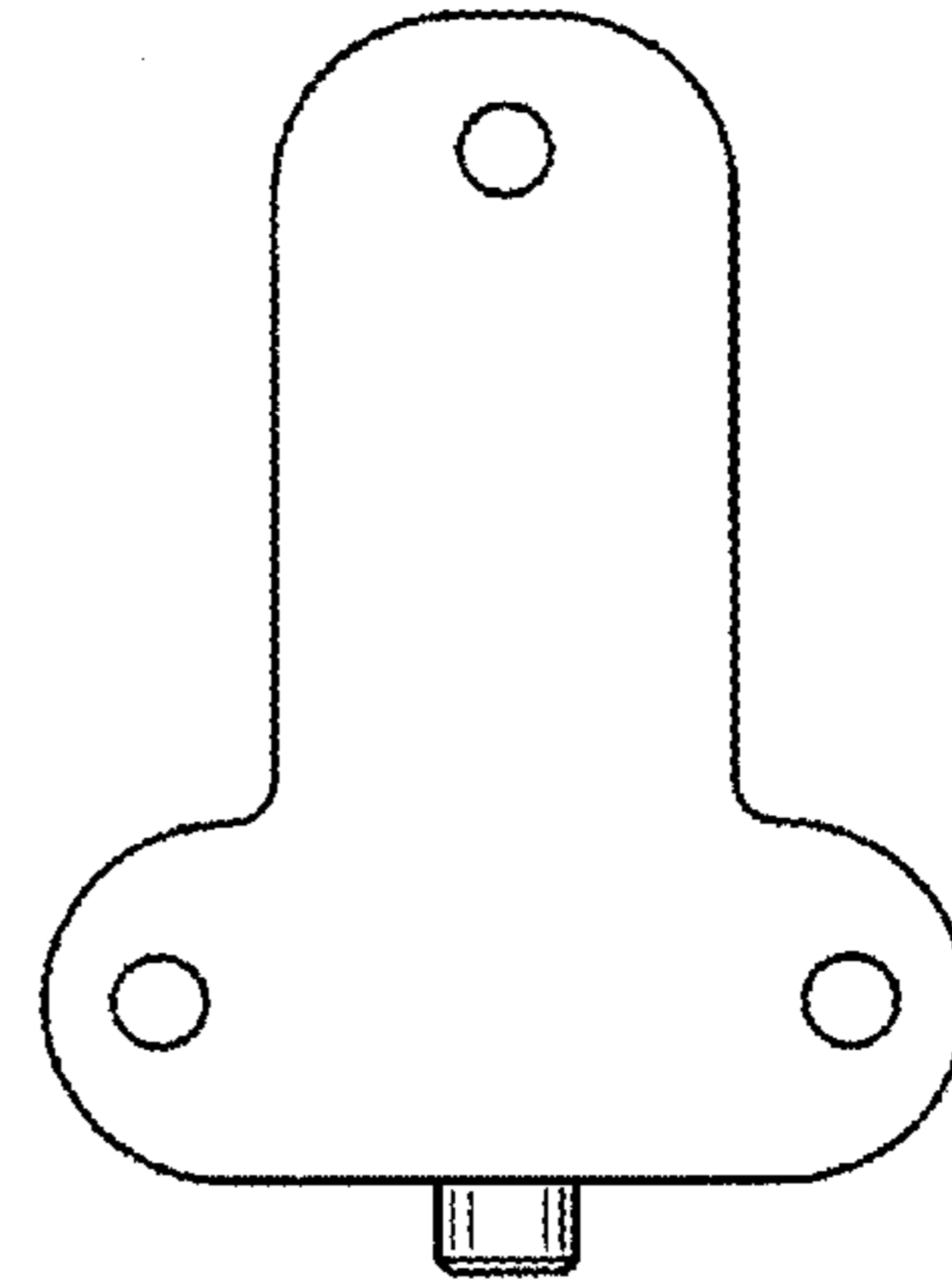


FIG. 13

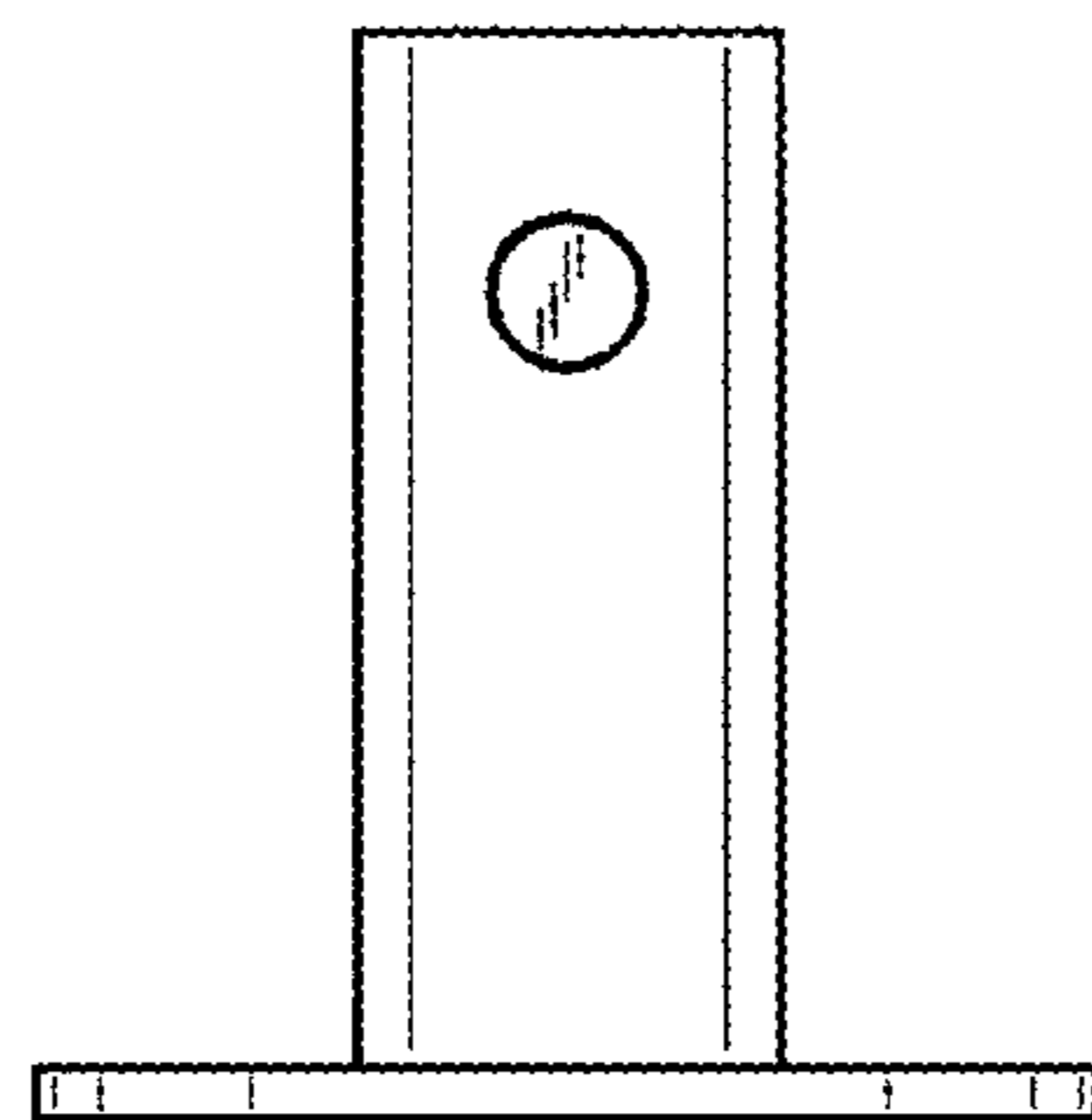


FIG. 12