



US00D748455S

(12) **United States Design Patent**
Symons

(10) **Patent No.:** **US D748,455 S**
(45) **Date of Patent:** **** Feb. 2, 2016**

- (54) **CABLE HOLDER**
- (71) Applicant: **BLUELOUNGE PTE. LTD.**, Wilkie Edge (SG)
- (72) Inventor: **Dominic Symons**, Wilkie Edge (SG)
- (73) Assignee: **Bluelounge Pte Ltd**, Wilkie Edge (SG)
- (**) Term: **15 Years**
- (21) Appl. No.: **29/544,786**
- (22) Filed: **Nov. 6, 2015**
- (51) **LOC (10) Cl.** **08-05**
- (52) **U.S. Cl.**
USPC **D8/356**
- (58) **Field of Classification Search**
USPC D8/356, 354, 349
CPC F16G 1/00; F16G 11/00
See application file for complete search history.

6,234,418	B1	5/2001	Donaldson	
D505,859	S	6/2005	Suzuki	
6,966,791	B1	11/2005	Farr	
7,077,693	B1	7/2006	Symons	
D542,123	S	5/2007	Symons	
7,399,199	B2	7/2008	Symons	
D591,678	S *	5/2009	Whitley	D13/133
D598,480	S *	8/2009	Kanemitsu	D15/148
7,614,611	B1 *	11/2009	Walton	F16H 55/36 254/393
7,654,484	B2 *	2/2010	Mogensen	A61M 5/1418 242/402
D621,240	S *	8/2010	Lutter	D8/356

(Continued)

OTHER PUBLICATIONS

amazon.com, Nov. 4, 2015, Internet printout: <http://www.amazon.com/Earphone-Holder-Purple-Cord-On-manager/dp/B008LHTV0Y>.

(Continued)

Primary Examiner — Cynthia Underwood
(74) *Attorney, Agent, or Firm* — Todd R. Miller; Vested Law PLLC

(56) **References Cited**

U.S. PATENT DOCUMENTS

2,603,429	A *	7/1952	Jaworowski	A01K 89/08 242/224
3,062,475	A *	11/1962	Miller, Jr.	A01K 97/06 242/404.3
3,773,987	A	11/1973	Davis	
4,150,798	A	4/1979	Aragon	
D264,447	S	5/1982	Henkels	
4,390,142	A *	6/1983	Cheng	H02G 11/02 242/388.1
4,802,638	A *	2/1989	Burger	B65H 75/143 242/388.1
D314,910	S *	2/1991	VanSkiver	D8/358
D316,666	S	5/1991	Ishimaru	
5,071,367	A	12/1991	Luu	
5,265,822	A *	11/1993	Shober, Jr.	A61M 5/1418 242/388.2
5,531,333	A	7/1996	Vara	
D391,549	S	3/1998	Ness	
5,873,540	A *	2/1999	Hardin	B65H 75/143 206/406
6,164,582	A	12/2000	Vara	

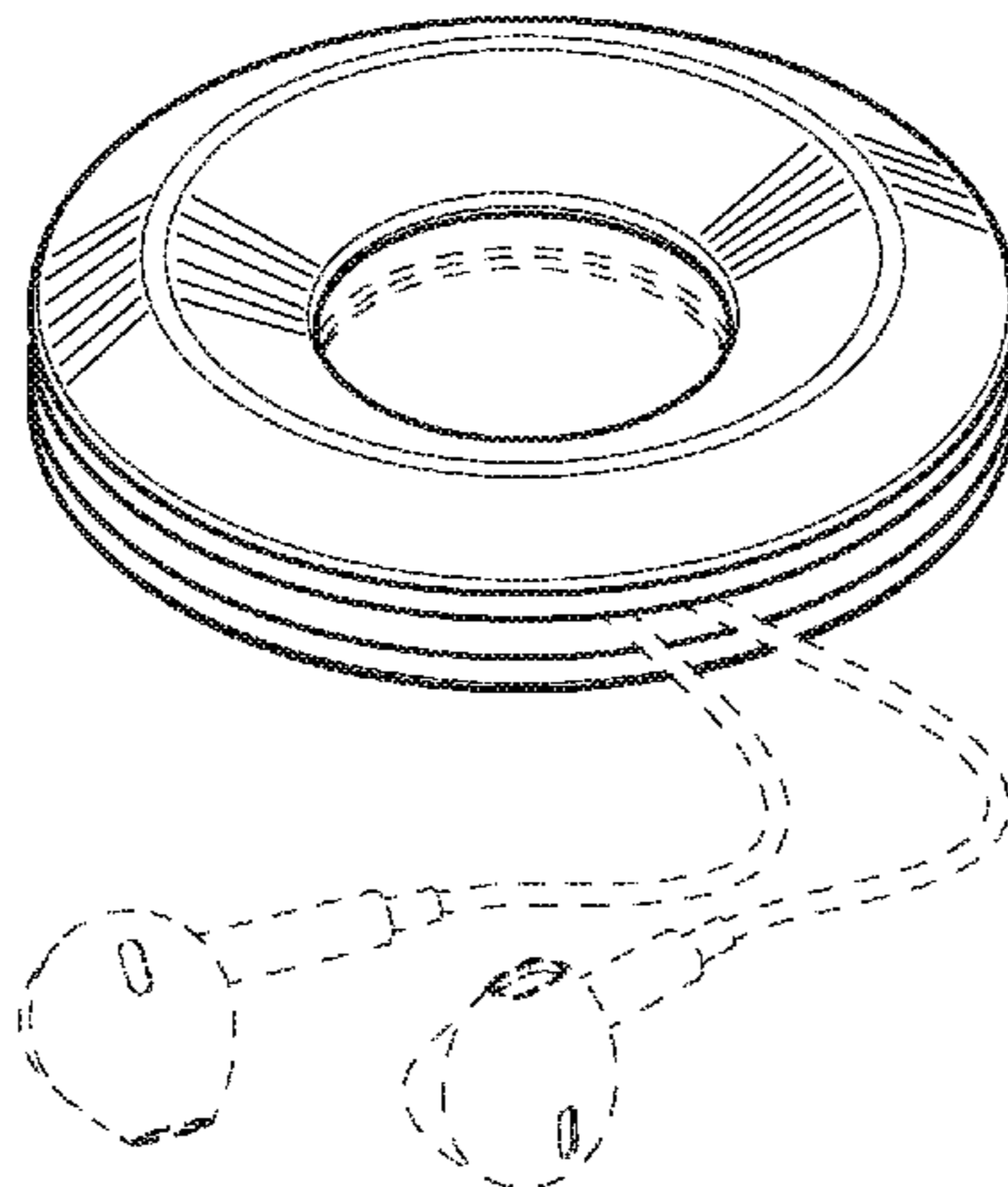
(57) **CLAIM**

The ornamental design for a cable holder, as shown and described.

DESCRIPTION

FIG. 1 is an exploded perspective view embodying the inventive design indicating that the magnetic ring is insertable into the body of the cable holder;
FIG. 2 is a perspective view of the cable holder;
FIG. 3 is a perspective view of the cable holder in use;
FIG. 4 is a top view of the cable holder, shown enlarged;
FIG. 5 is a bottom view thereof; and,
FIG. 6 is a side view thereof.
In the drawings, the broken line showing is for the purpose of illustrating portions of the article or environment and forms no part of the claimed design.

1 Claim, 3 Drawing Sheets



(56)

References Cited

U.S. PATENT DOCUMENTS

7,874,411 B2 * 1/2011 Roberts B65H 75/22
 191/12.2 R
 D631,730 S * 2/2011 Skillman D8/356
 D643,702 S * 8/2011 Kanemitsu D8/360
 D645,334 S * 9/2011 Kanemitsu D8/360
 D654,778 S * 2/2012 Hines D8/356
 D663,237 S 7/2012 Dunn
 D670,995 S * 11/2012 Stieler D8/356
 D685,771 S * 7/2013 Bertenthal D14/223
 D701,448 S * 3/2014 Rodwin D8/356
 D716,640 S * 11/2014 Martinson D8/356
 D735,020 S * 7/2015 Bradford D8/356
 2002/0131749 A1 9/2002 Swenson
 2002/0145073 A1 * 10/2002 Swanson A61F 15/002
 242/588.3

2003/0122023 A1 * 7/2003 Pitcher B65H 75/143
 242/388.1
 2004/0178398 A1 * 9/2004 Miller F16H 55/44
 254/390
 2011/0036676 A1 * 2/2011 Skillman B65H 75/143
 191/12.4

OTHER PUBLICATIONS

thingiverse.com, Nov. 4, 2015, Internet printout: <http://www.thingiverse.com/thing:819417>.
 artpromos.com, Nov. 4, 2015, Internet printout: <http://www.artpromos.com/product/personalized-gumbite-clippi-cable-organizer/43325/>.
 lonelybrand.com, Nov. 4, 2015, Internet printout: <http://lonelybrand.com/blog/15-tangle-free-headphone-finds/>.
 pinterest.com, Nov. 4, 2015, Internet printout: <https://www.pinterest.com/explore/wrap-ear-buds/>.

* cited by examiner

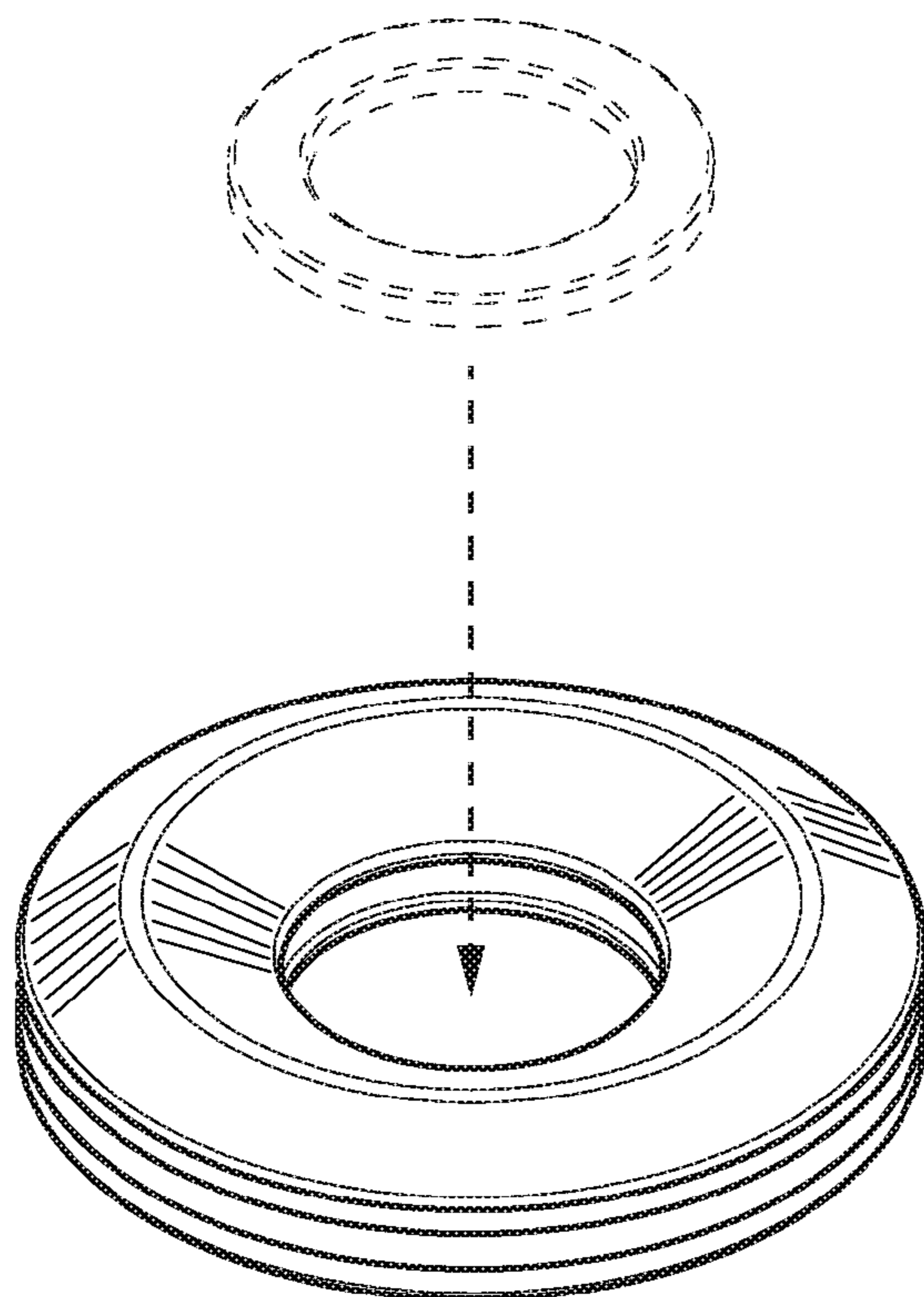


FIG. 1

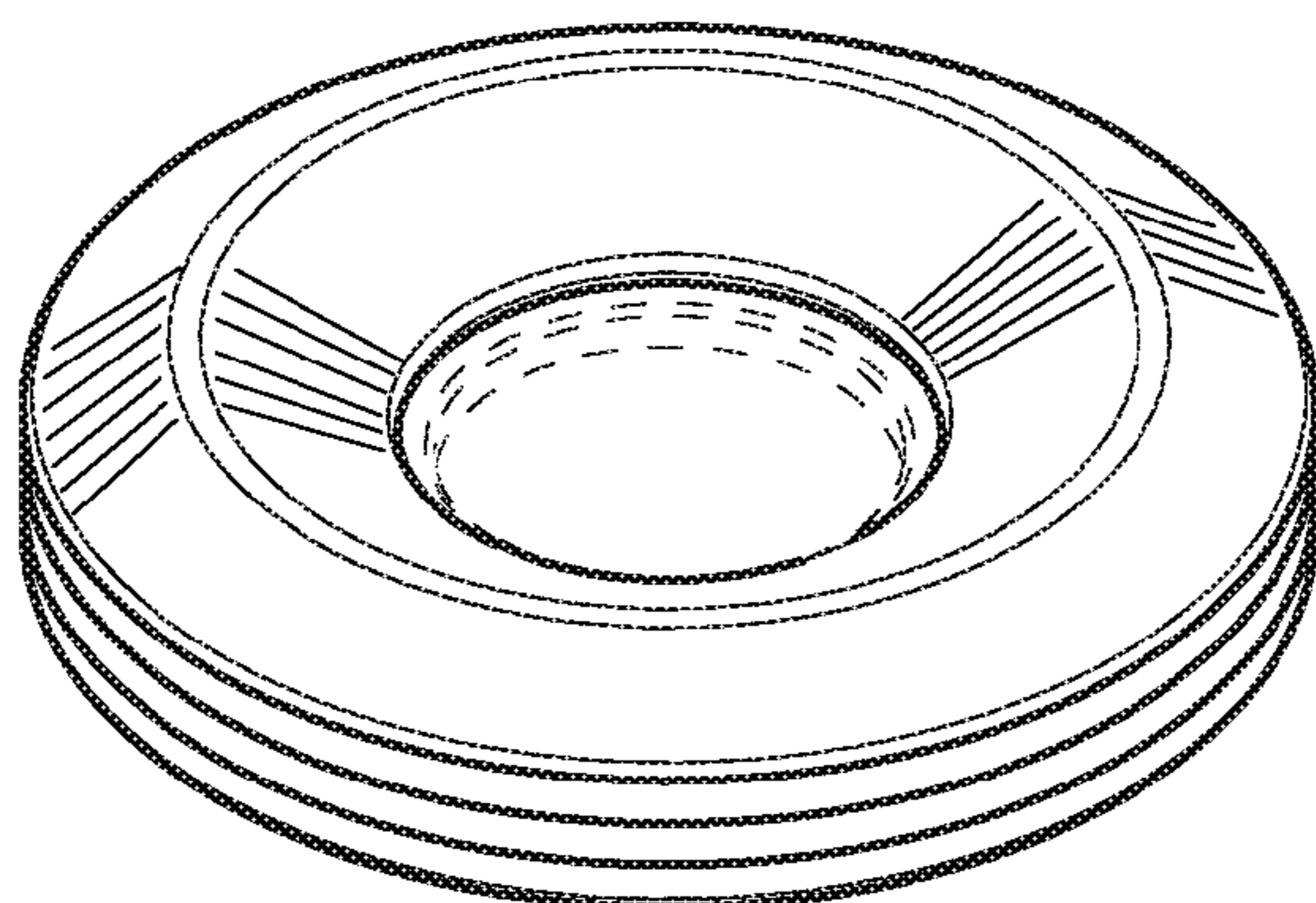


FIG. 2

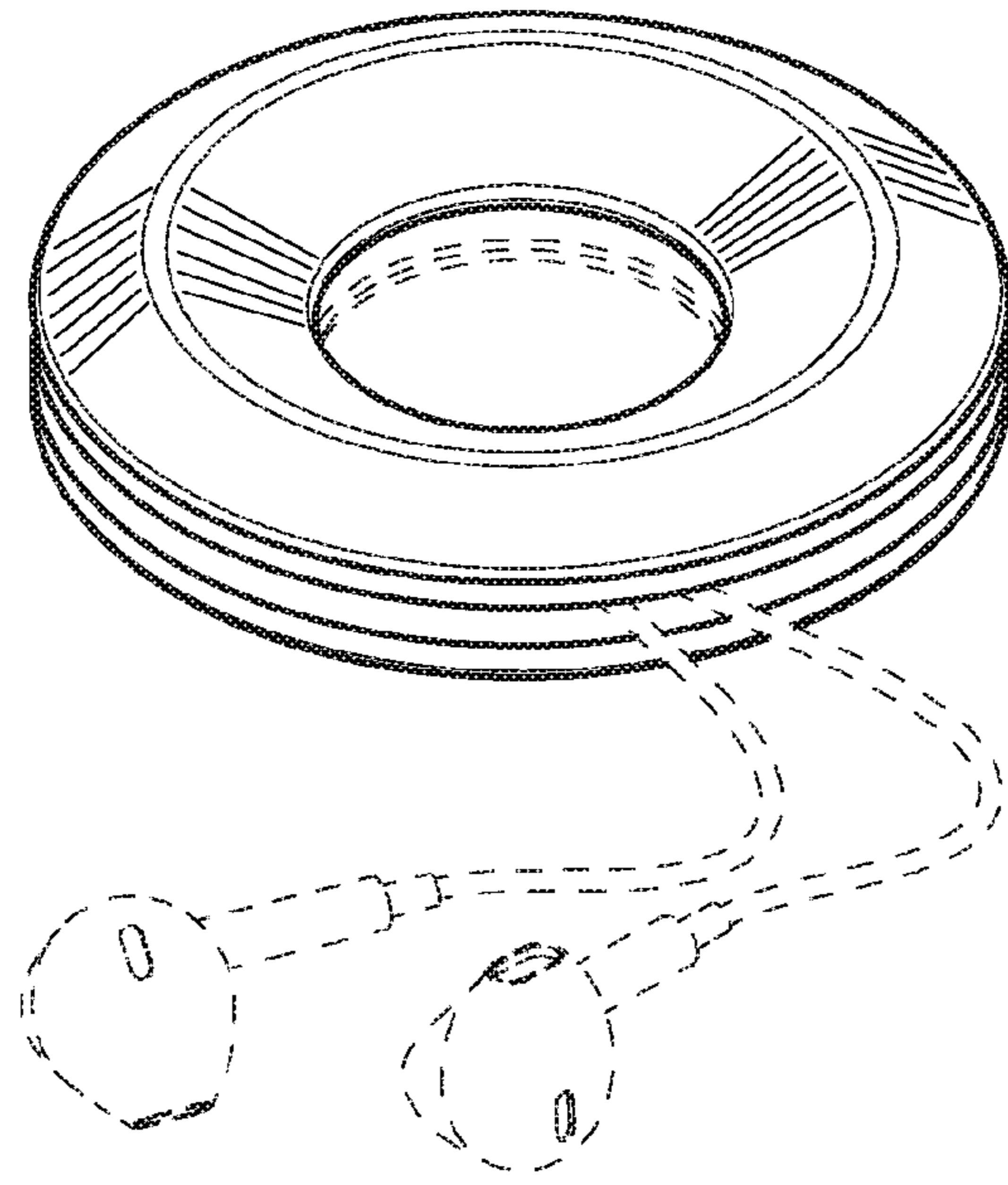


FIG. 3

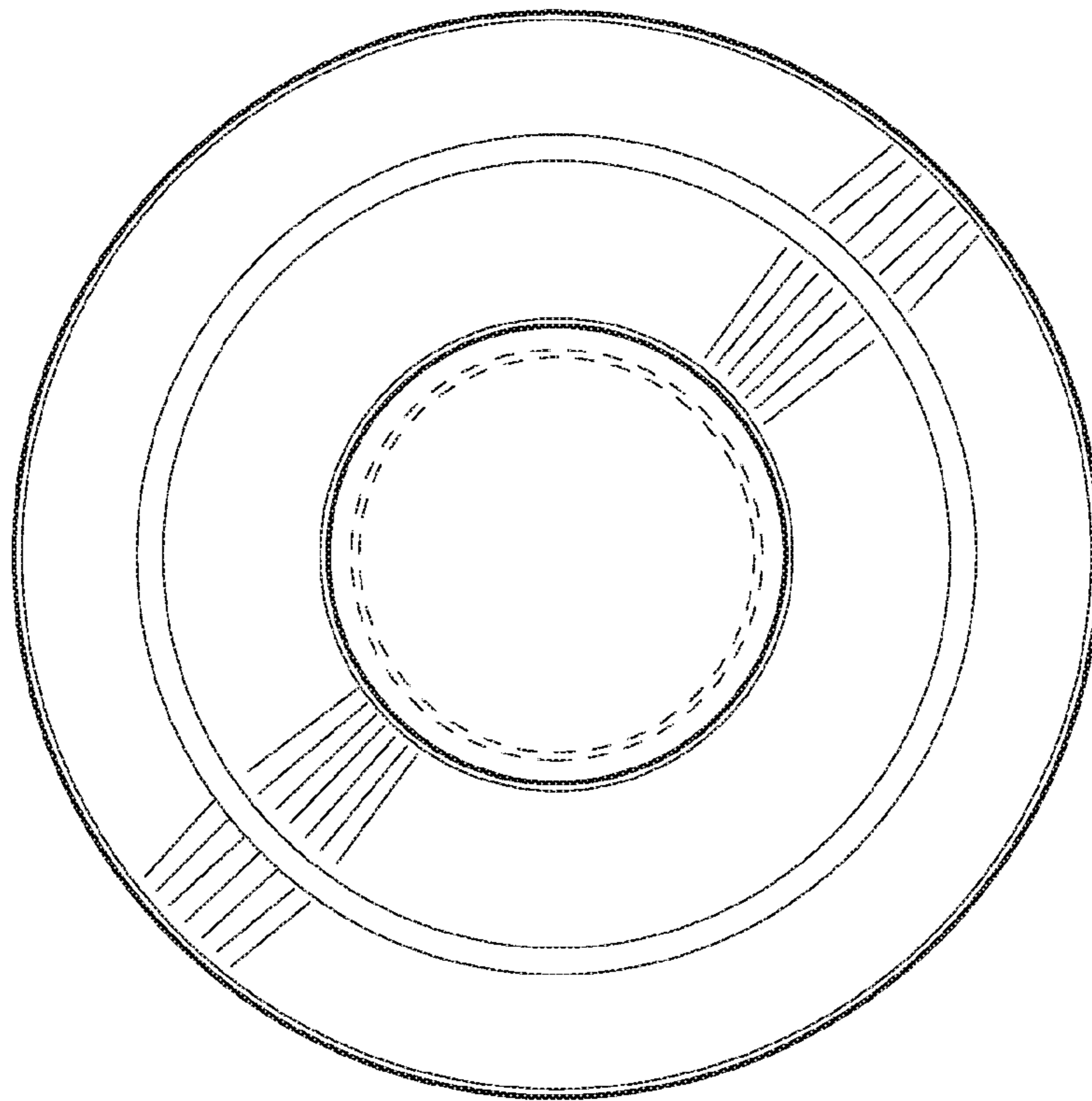


FIG. 4

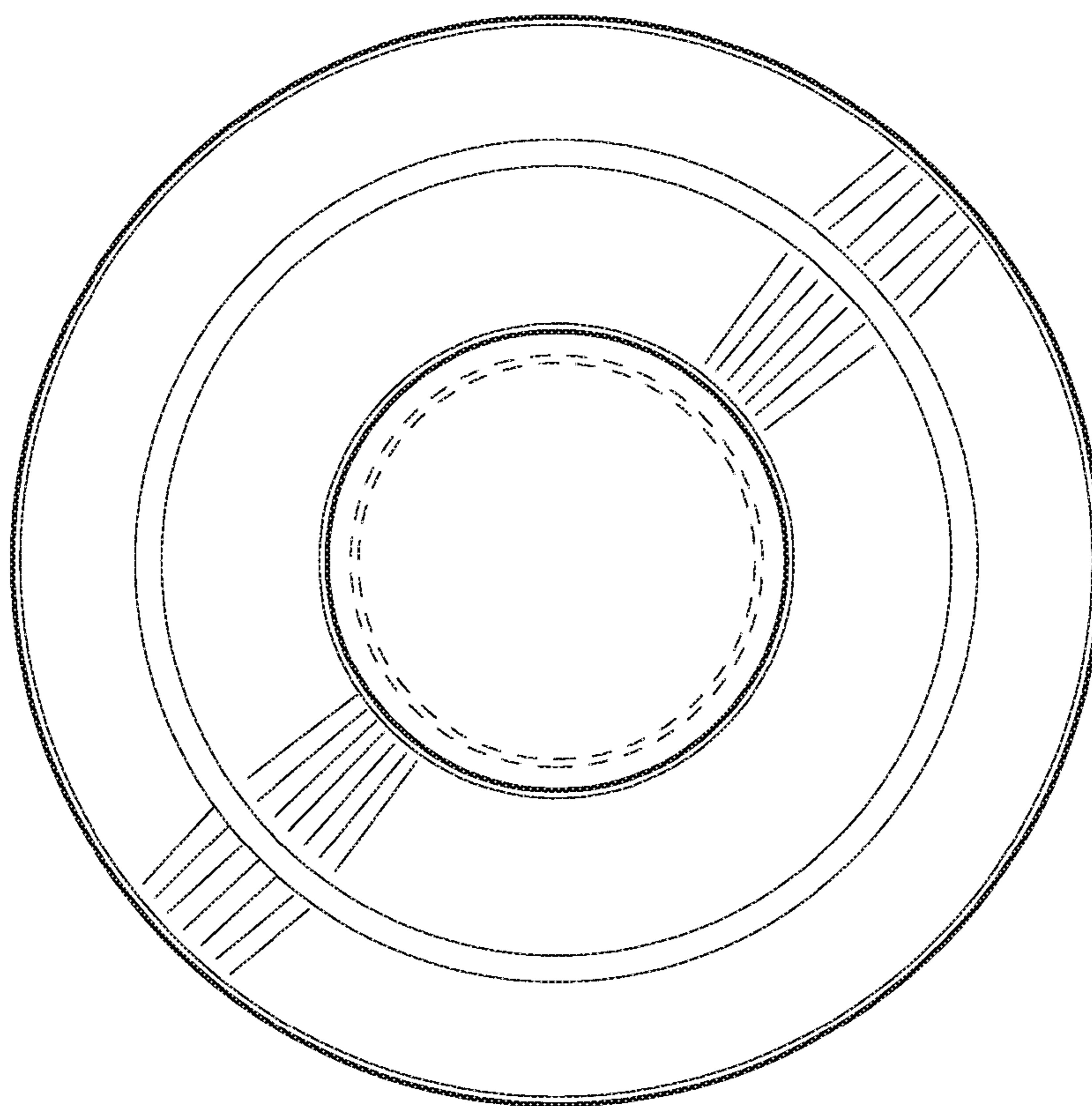


FIG. 5

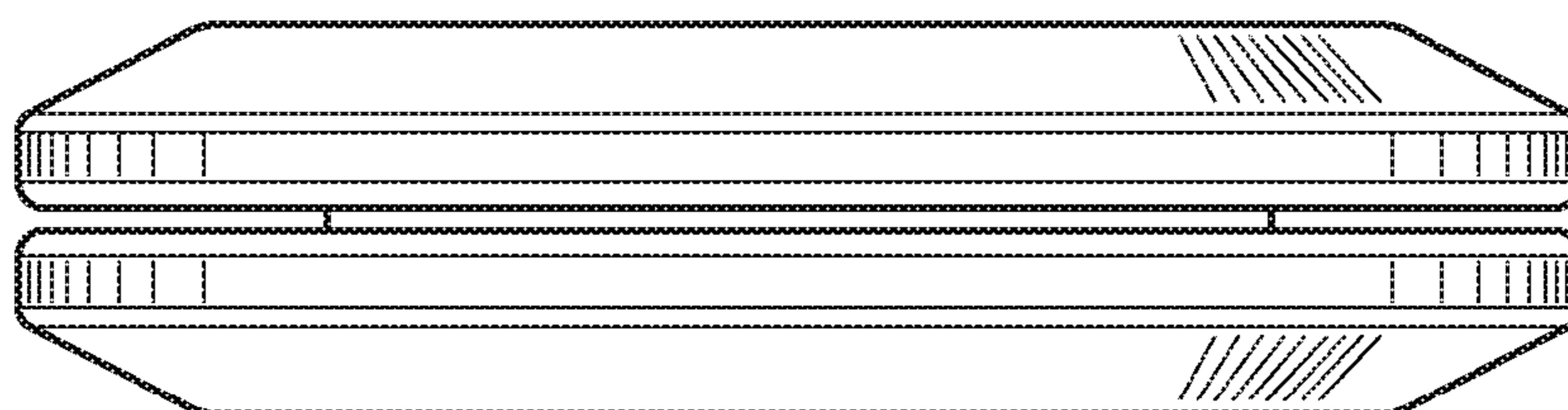


FIG. 6