



US00D748452S

(12) **United States Design Patent**  
**Jacobsen et al.**

(10) **Patent No.:** **US D748,452 S**  
(45) **Date of Patent:** **\*\* Feb. 2, 2016**

- (54) **LATCH**
- (71) Applicant: **Rtic Coolers, LLC**, Houston, TX (US)
- (72) Inventors: **Jim Jacobsen**, Houston, TX (US); **John Jacobsen**, Houston, TX (US)
- (73) Assignee: **Rtic Coolers, LLC**, Houston, TX (US)
- (\*\*) Term: **14 Years**
- (21) Appl. No.: **29/508,780**
- (22) Filed: **Nov. 11, 2014**
- (51) **LOC (10) Cl.** ..... **08-07**
- (52) **U.S. Cl.**  
USPC ..... **D8/331; D8/343**
- (58) **Field of Classification Search**  
USPC ..... D8/330, 331, 341, 343, 301, 302, D8/336-338, 345; 70/14, 64-76, 141, 142, 70/119, 111, 164, 240, DIG. 80, 79, 80, 70/465, 466; 292/358, 359, 348, 256, 292/256.5, 247, DIG. 31, DIG. 49, DIG. 63, 292/5, 8, 11, 18, 109, DIG. 30, DIG. 42, 292/DIG. 43, DIG. 68; D3/232, 900, 903; 220/324, 833, 834; 206/6.1; 190/900, 190/902, 10, 19, 100  
CPC ..... E05C 1/00; E05C 1/002; E05C 1/08; E05C 1/10; E05C 3/00; E05C 3/002; E05C 3/12; E05C 3/16; E05C 19/08  
See application file for complete search history.

- 5,984,383 A \* 11/1999 Parikh ..... E05B 1/0092 292/121
- D454,292 S \* 3/2002 Plummer ..... D8/331
- 6,398,272 B1 \* 6/2002 Plummer ..... E05C 19/10 292/246
- D469,681 S \* 2/2003 Votruba ..... D8/343
- 6,561,554 B2 \* 5/2003 Colbert ..... E05C 3/14 292/128
- 6,575,505 B1 \* 6/2003 Dimig ..... E05B 85/01 292/216
- D492,184 S \* 6/2004 Parker ..... D8/331
- D712,720 S 9/2014 Seiders
- D712,721 S 9/2014 Seiders
- D712,722 S 9/2014 Seiders
- D712,723 S 9/2014 Seiders
- D714,125 S 9/2014 Seiders
- D717,152 S \* 11/2014 Weinerman ..... D8/331
- 8,910,819 B2 12/2014 Seiders

\* cited by examiner

*Primary Examiner* — Prabhakar Deshmukh

(74) *Attorney, Agent, or Firm* — Jackson Walker L.L.P.

(57) **CLAIM**

The ornamental design for a latch, as shown and described.

**DESCRIPTION**

FIG. 1 is a top, front, left perspective view of a latch showing my new design;  
 FIG. 2 is a front elevational view thereof;  
 FIG. 3 is a rear elevational view thereof;  
 FIG. 4 is a left side elevational view thereof;  
 FIG. 5 is a right side elevational view thereof;  
 FIG. 6 is a top plan view thereof;  
 FIG. 7 is a bottom plan view thereof; and,  
 FIG. 8 is a perspective view thereof, shown in environmental use.

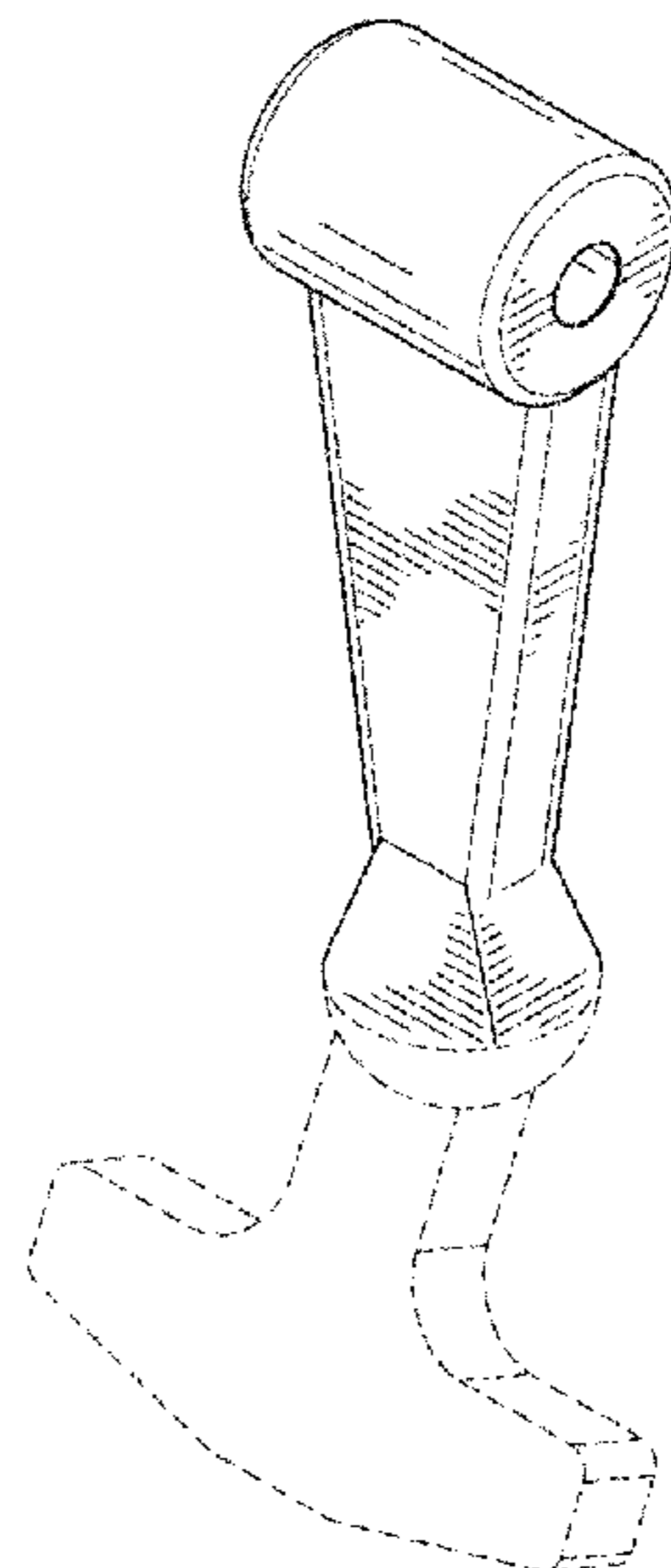
The broken lines in FIG. 8 disclosing environment form no part of the claimed design. The shade lines adjacent to the broken lines define the bounds of the claimed design and from no part of the design.

**1 Claim, 4 Drawing Sheets**

(56) **References Cited**

**U.S. PATENT DOCUMENTS**

- 4,674,777 A \* 6/1987 Guelck ..... E05C 3/045 292/101
- D293,077 S \* 12/1987 Wickman ..... D8/338
- 5,103,994 A \* 4/1992 Doxey ..... B65D 45/20 220/318
- D333,775 S \* 3/1993 Krape ..... D8/331



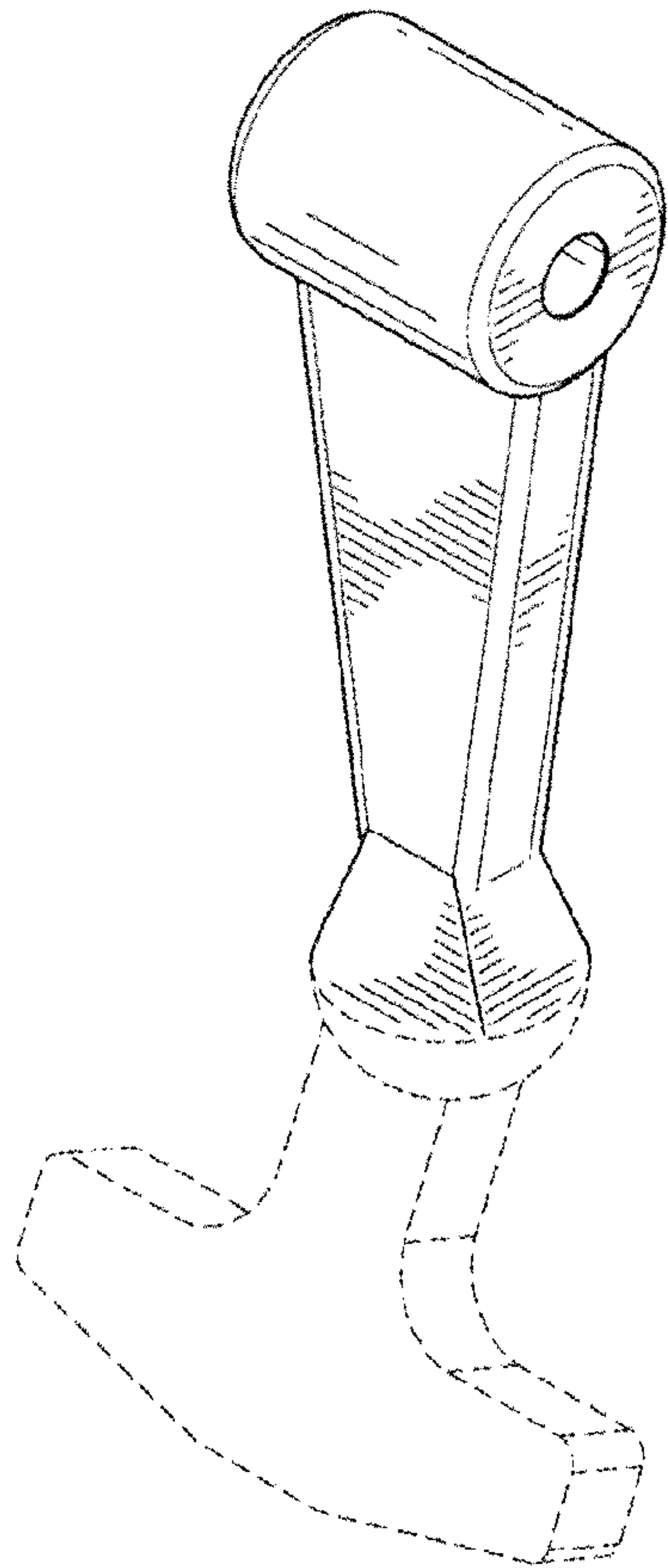


FIG. 1

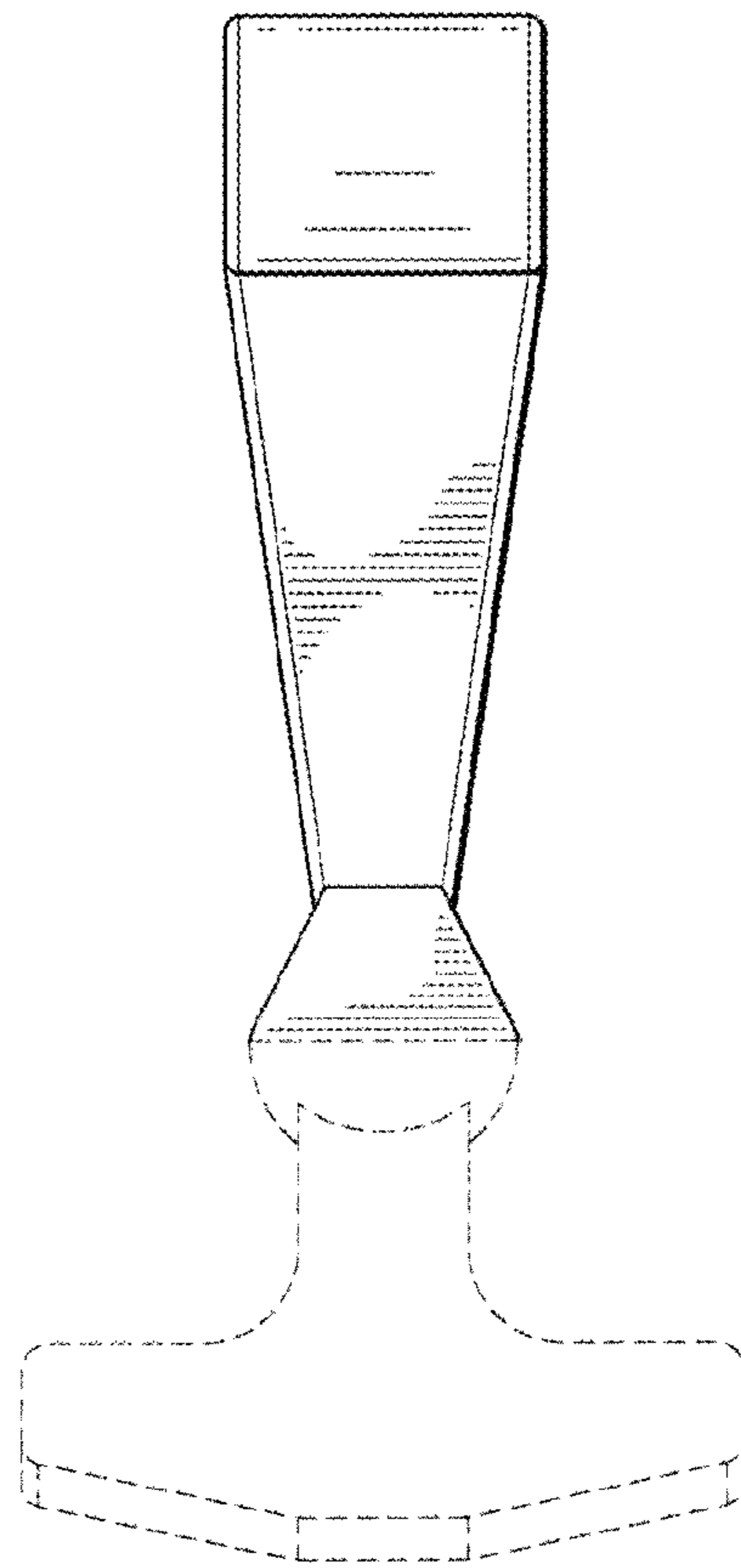


FIG. 2

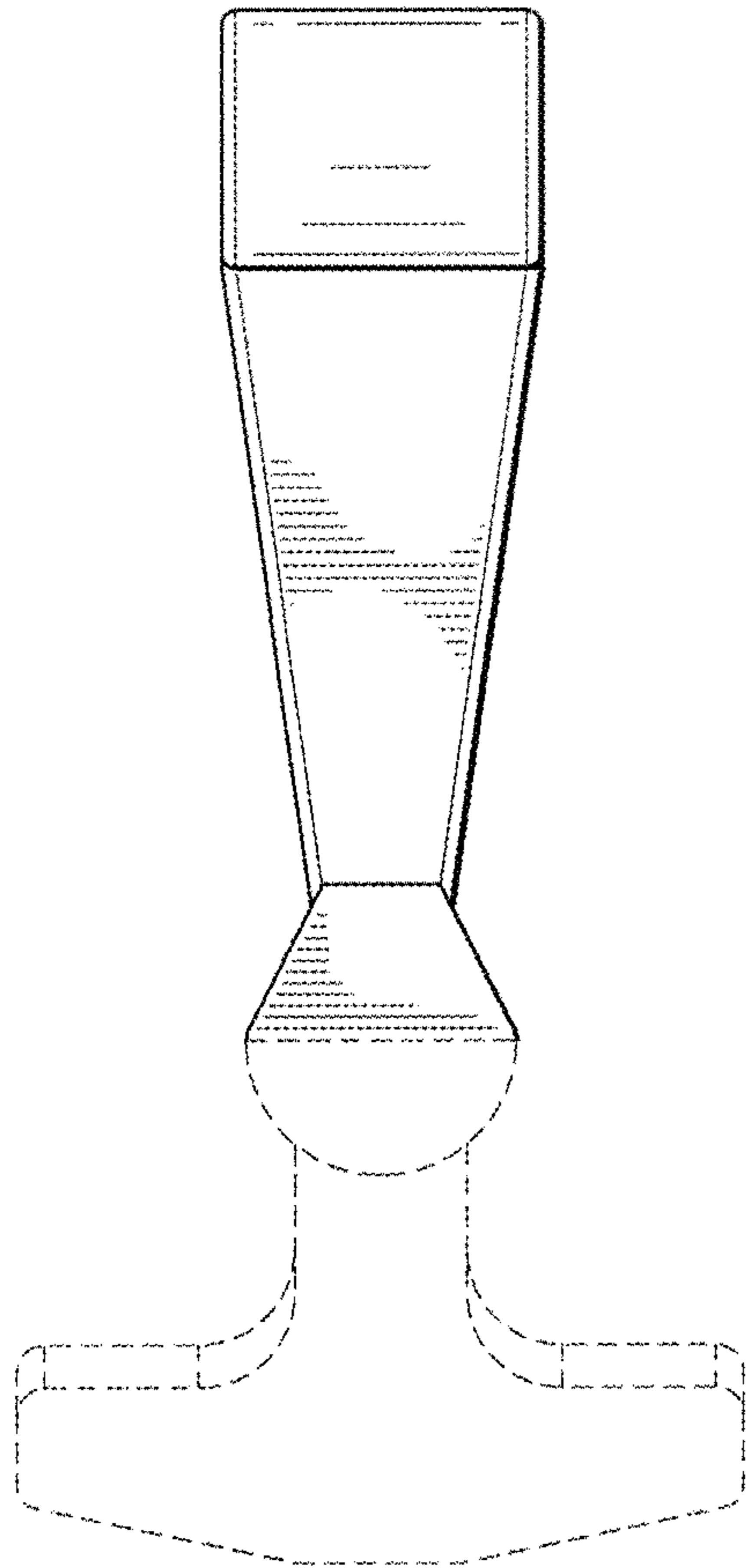


FIG. 3

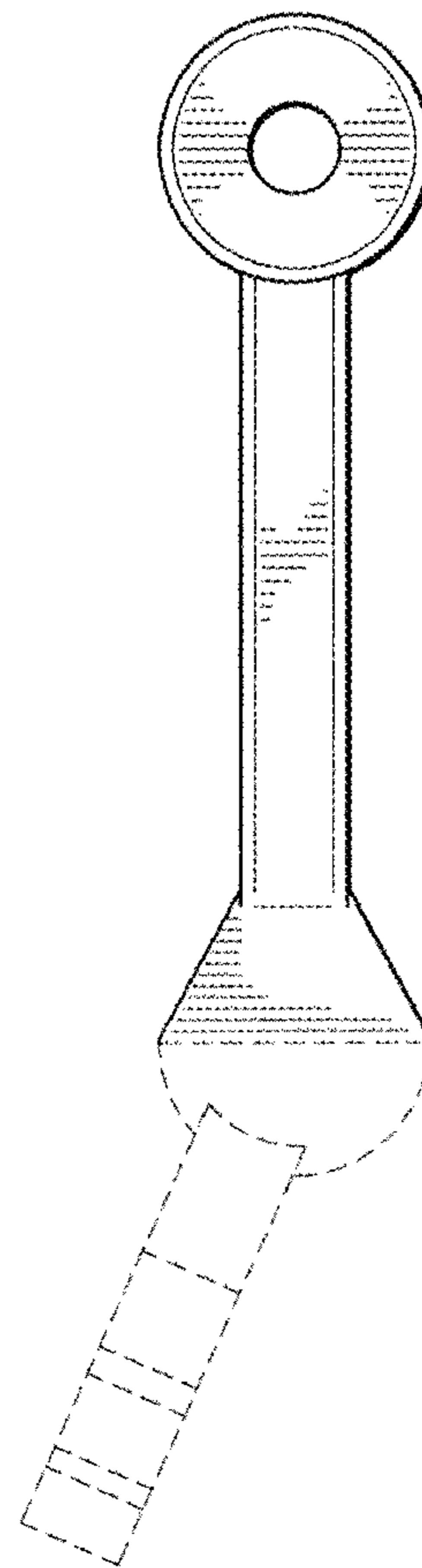


FIG. 4

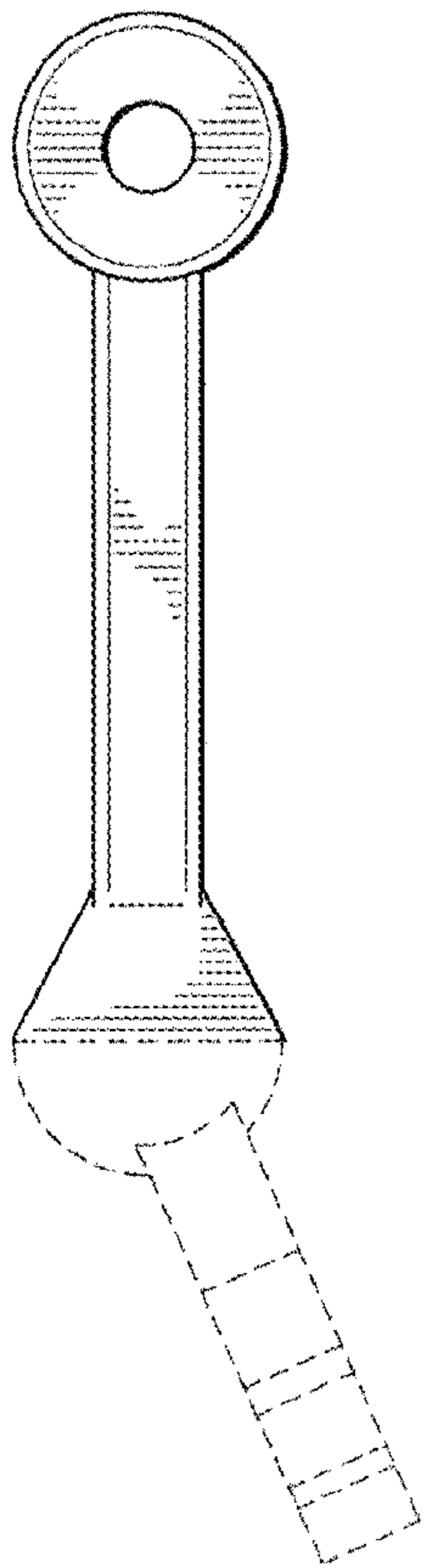


FIG. 5

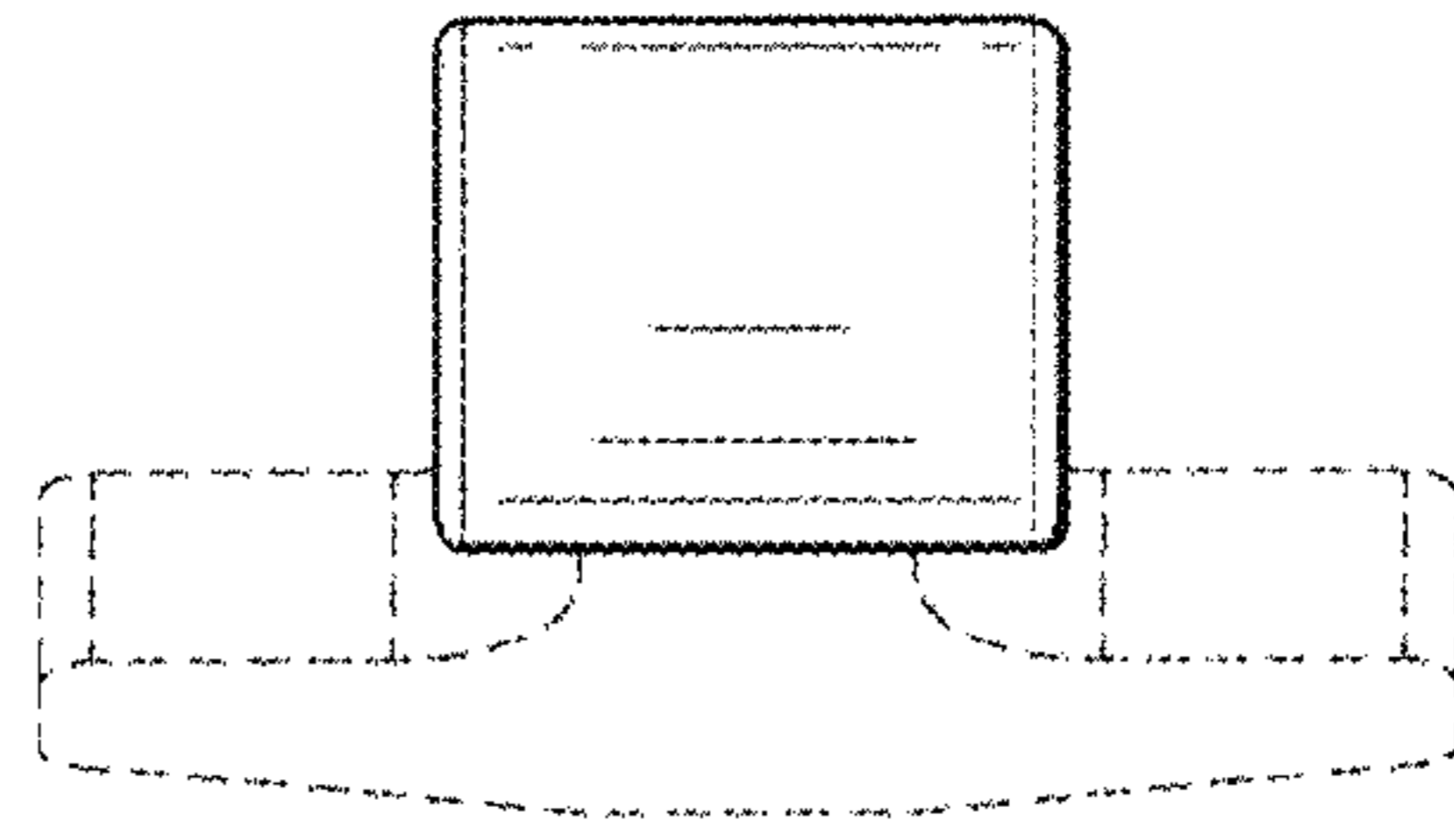


FIG. 6

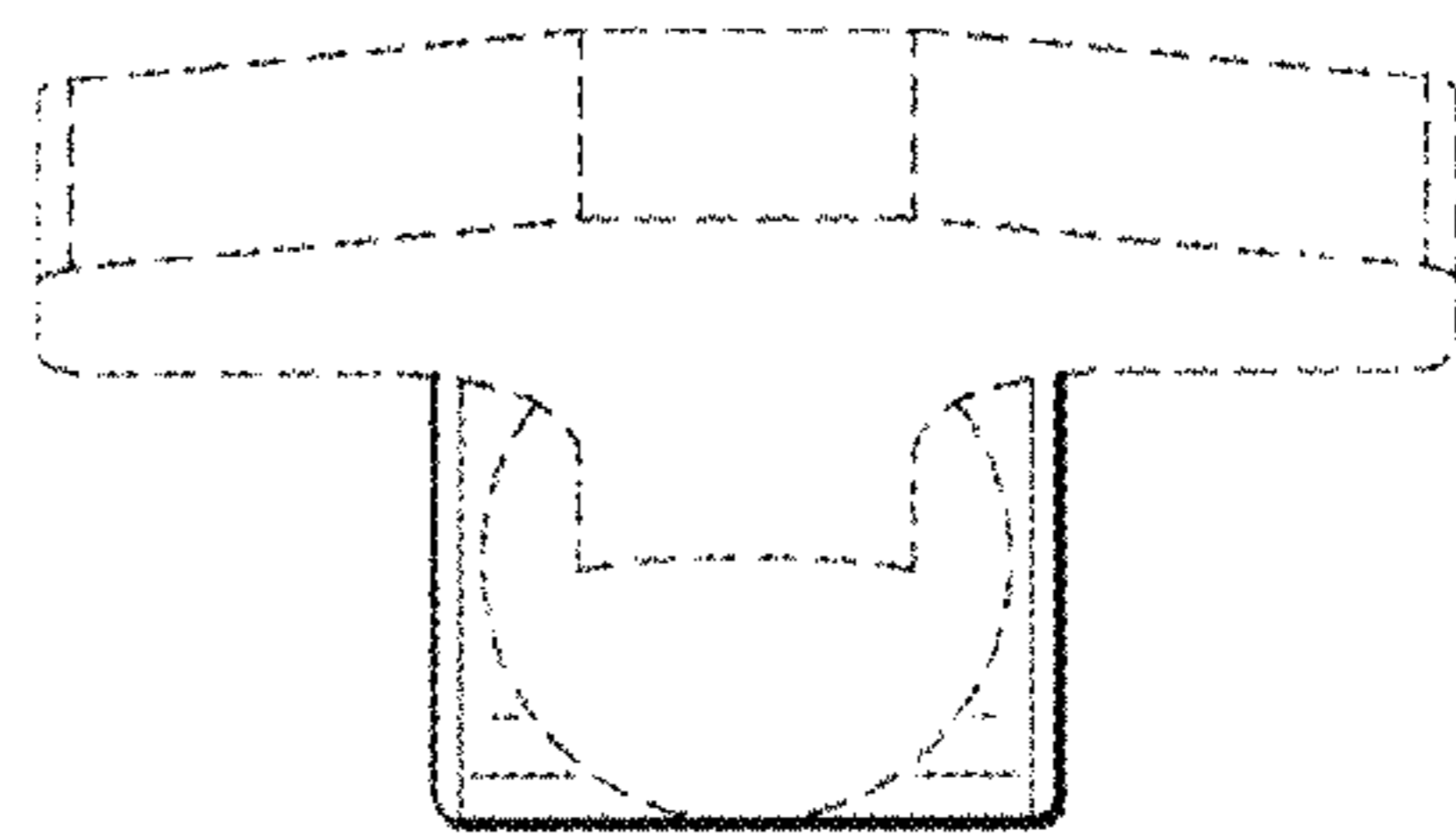


FIG. 7

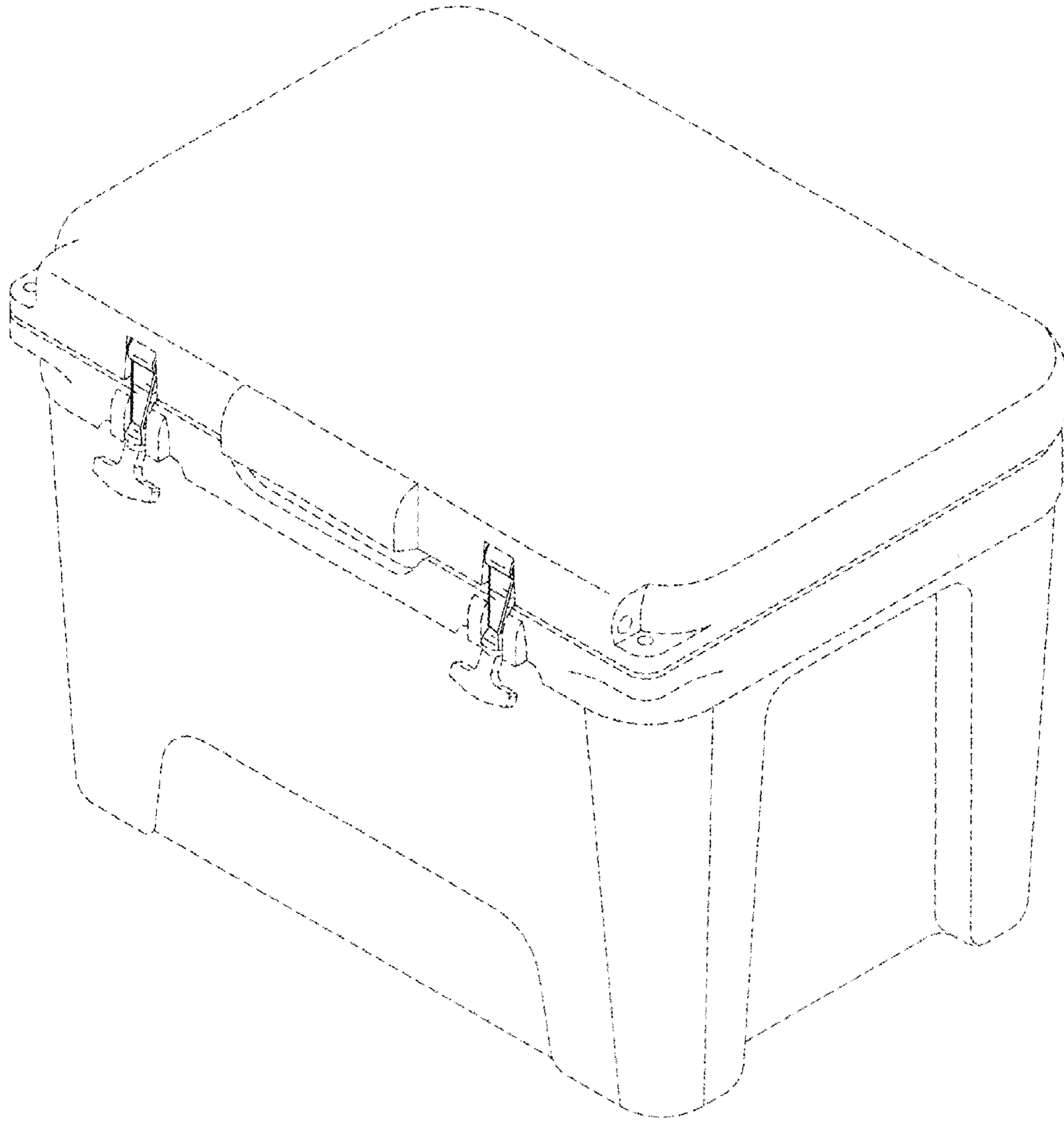


FIG. 8