



US00D748451S

(12) **United States Design Patent**  
**Tung**

(10) **Patent No.:** **US D748,451 S**

(45) **Date of Patent:** **\*\* Feb. 2, 2016**

(54) **HINGE**

(71) Applicant: **Marine Town Inc.**, New Taipei (TW)

(72) Inventor: **Chin-Chung Tung**, New Taipei (TW)

(73) Assignee: **Marine Town Inc.**, New Taipei (TW)

(\*\*) Term: **14 Years**

(21) Appl. No.: **29/512,741**

(22) Filed: **Dec. 22, 2014**

(51) **LOC (10) Cl.** ..... **08-06**

(52) **U.S. Cl.**  
USPC ..... **D8/328**

(58) **Field of Classification Search**  
USPC ..... D8/323, 328; 16/250, 338, 227  
CPC ..... E05D 5/12; E05D 11/082; E05D 1/02;  
B64G 1/222  
See application file for complete search history.

(56) **References Cited**

**U.S. PATENT DOCUMENTS**

3,153,807	A *	10/1964	Nyman	.....	E05D 11/06 16/390
4,163,303	A *	8/1979	Hanna	.....	E05D 1/02 16/227
D265,048	S *	6/1982	Guardia	.....	D8/328
4,630,333	A *	12/1986	Vickers	.....	E05D 11/082 16/338
5,412,842	A *	5/1995	Riblett	.....	E05D 5/12 16/250
D372,852	S *	8/1996	Noll	.....	D8/328
D436,515	S *	1/2001	Sonntag	.....	D8/328
D584,130	S *	1/2009	Bertani	.....	D8/328
D635,433	S *	4/2011	Le	.....	D8/327
D644,499	S *	9/2011	Herglotz	.....	D8/327

D649,009	S *	11/2011	Caffin	.....	D8/323
8,151,414	B2 *	4/2012	Baudasse	.....	B64G 1/222 16/227
D661,173	S *	6/2012	Caffin	.....	D8/323
D673,024	S *	12/2012	Caffin	.....	D8/323
D719,009	S *	12/2014	Russo	.....	D8/323
D719,011	S *	12/2014	Russo	.....	D8/323
D726,525	S *	4/2015	Kenerly	.....	D8/328

\* cited by examiner

*Primary Examiner* — Cynthia Underwood

(74) *Attorney, Agent, or Firm* — Muncy, Geissler, Olds & Lowe, P.C.

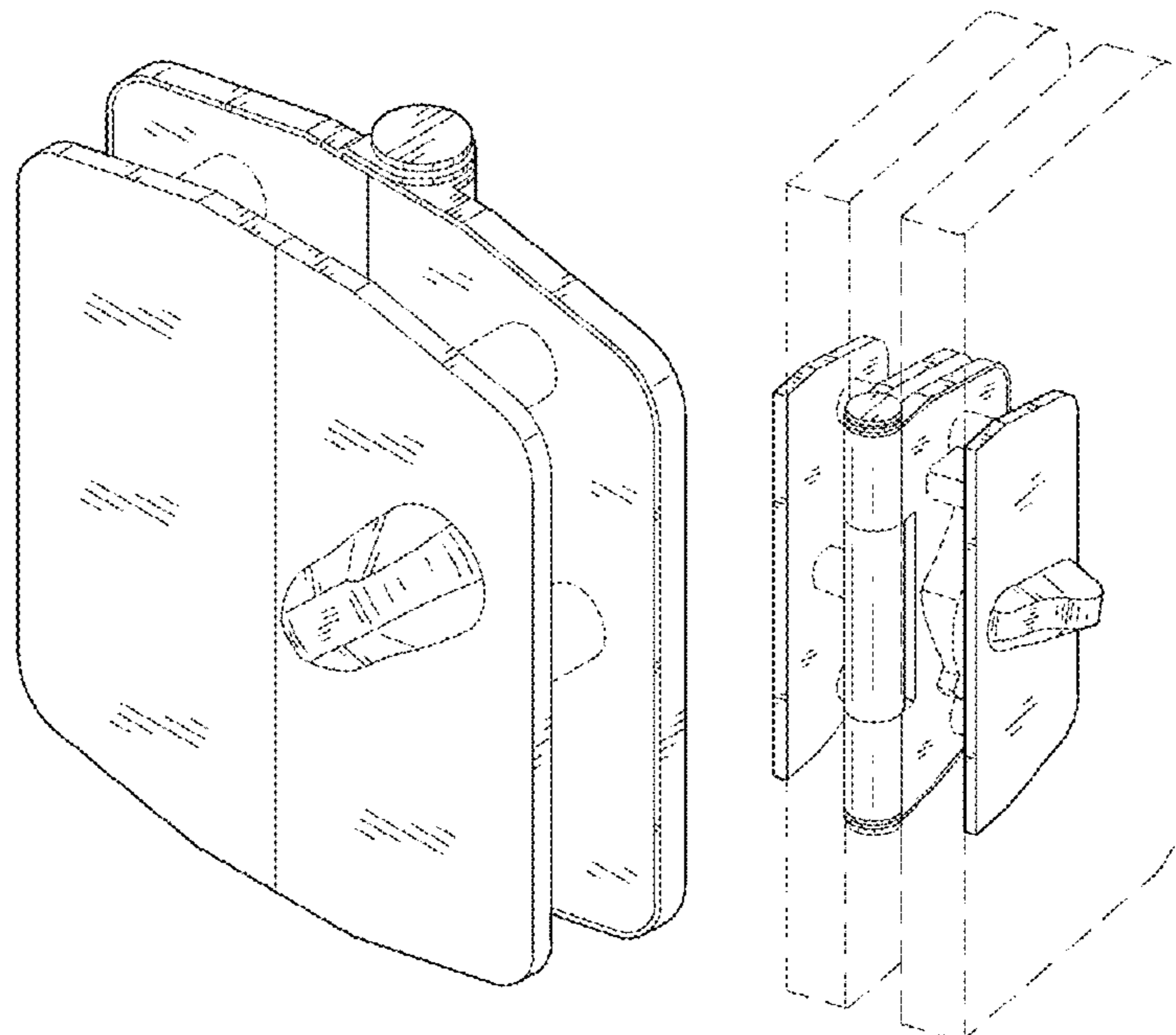
(57) **CLAIM**

The ornamental design for a “hinge,” as shown and described.

**DESCRIPTION**

FIG. 1 is a perspective view of a hinge showing our new design thereof;  
 FIG. 2 is a front elevational view thereof;  
 FIG. 3 is a rear elevational view thereof;  
 FIG. 4 is a left side elevational view thereof;  
 FIG. 5 is a right side elevational view thereof;  
 FIG. 6 is a top plan view thereof;  
 FIG. 7 is a bottom plan view;  
 FIG. 8 is another perspective view thereof;  
 FIG. 9 is a perspective view shown reduced in scale and in an environment of use;  
 FIG. 10 is a perspective view shown reduced in scale, folded into a configuration of use and in an environment of use; and,  
 FIG. 11 is a perspective view shown reduced in scale, folded into another configuration and in an environment of use.  
 The broken lines shown represent unclaimed subject matter and/or environmental structure and form no part of the claimed design, and.

**1 Claim, 11 Drawing Sheets**



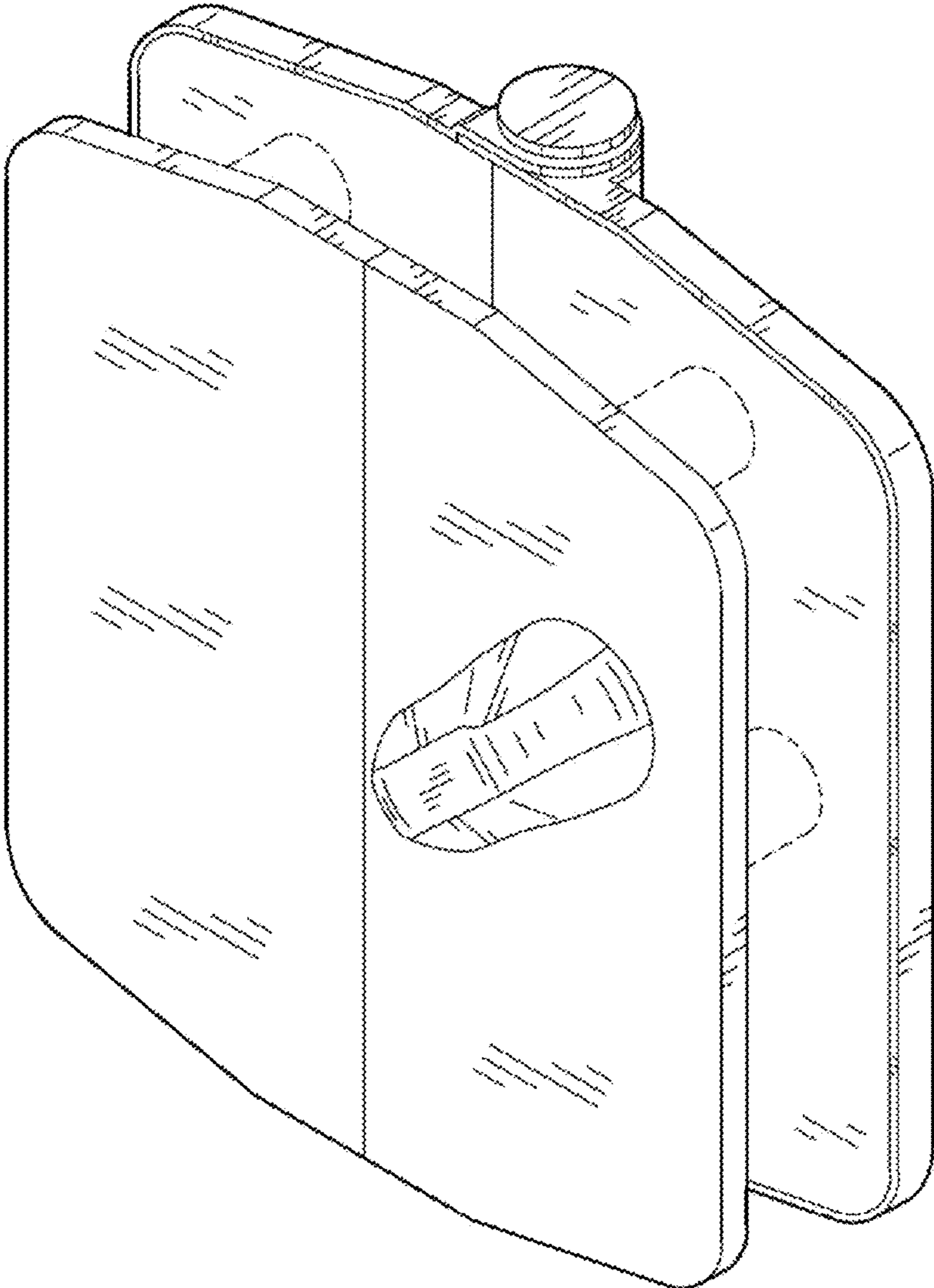


FIG.1

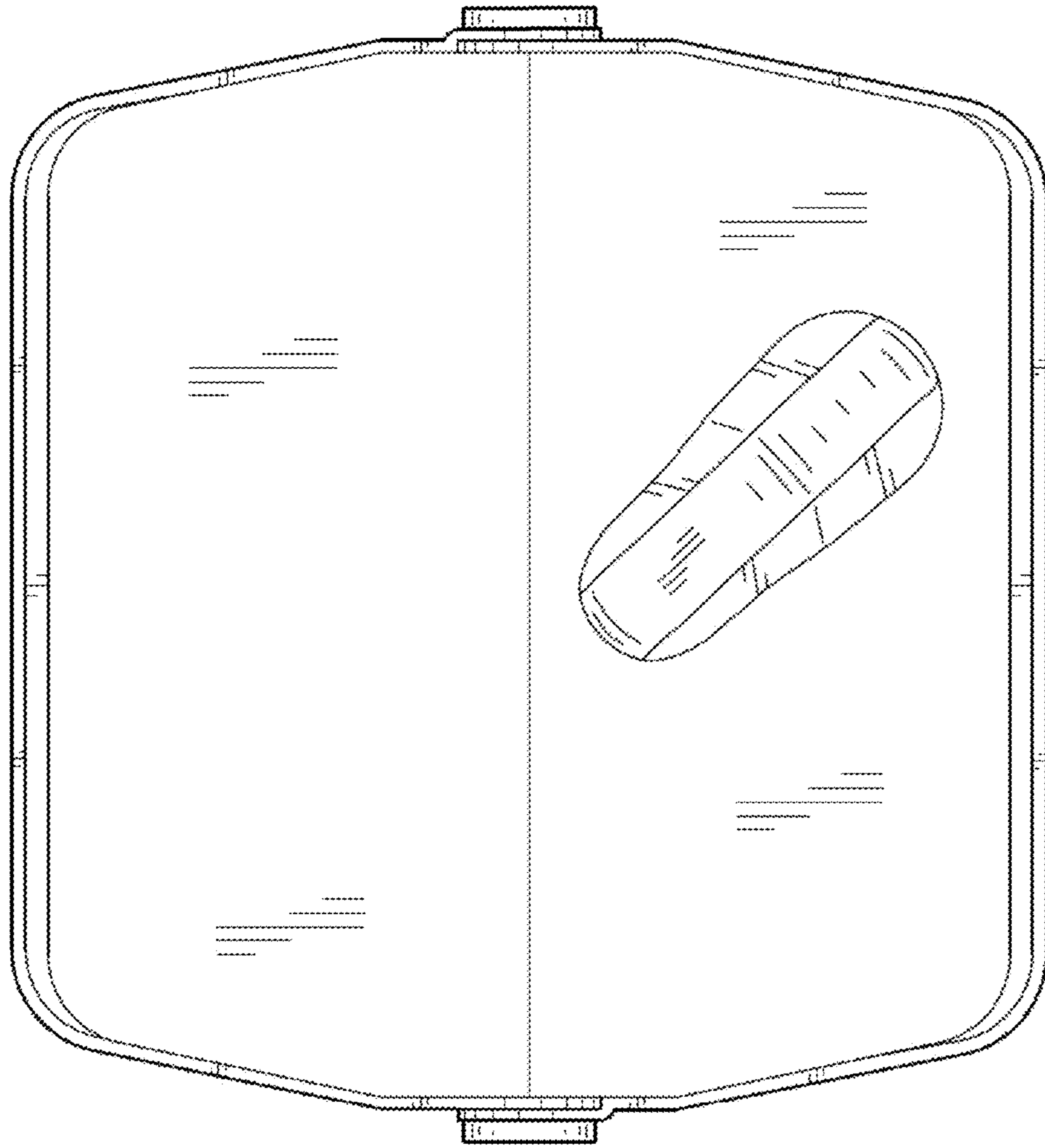


FIG.2

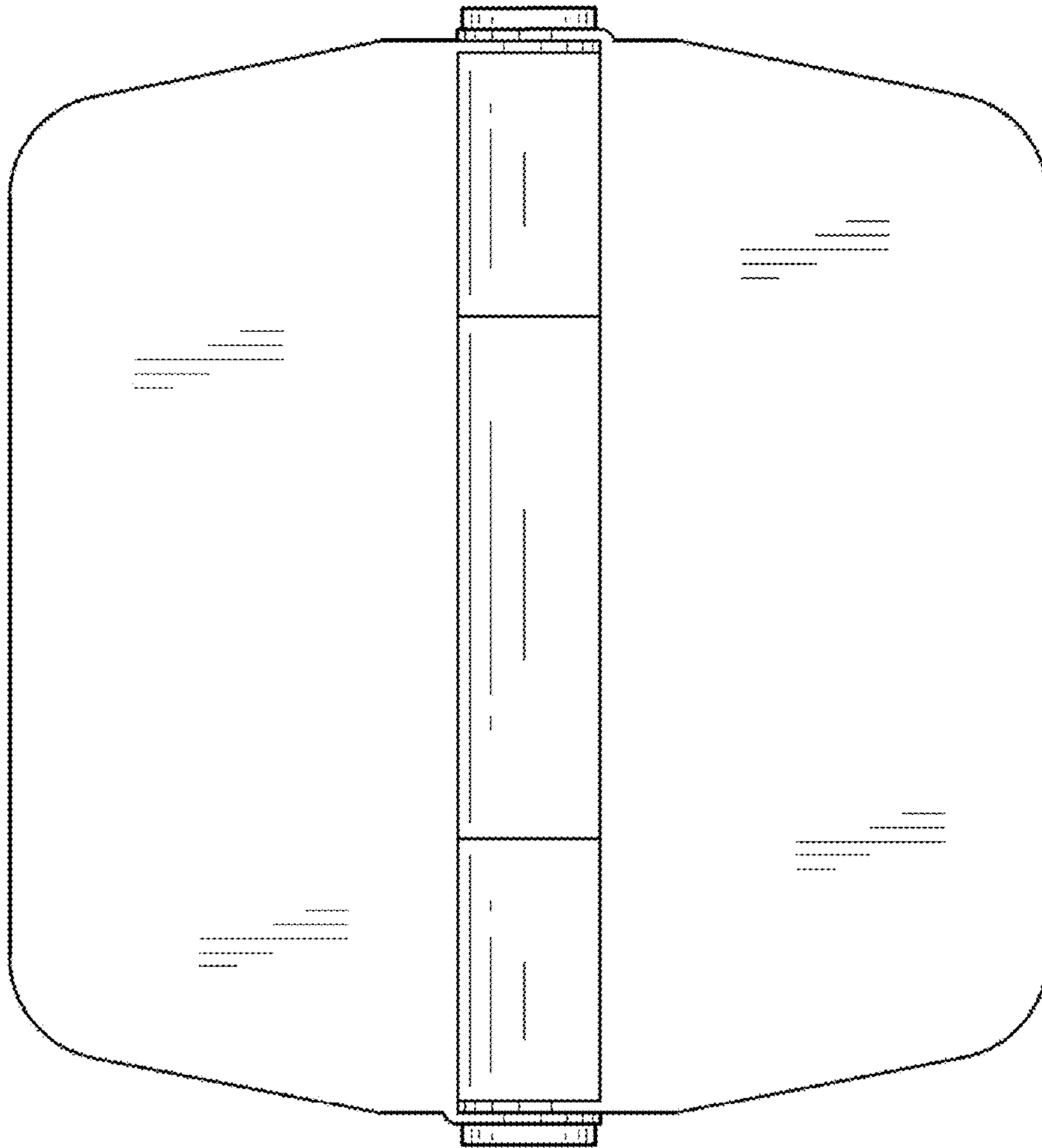


FIG.3

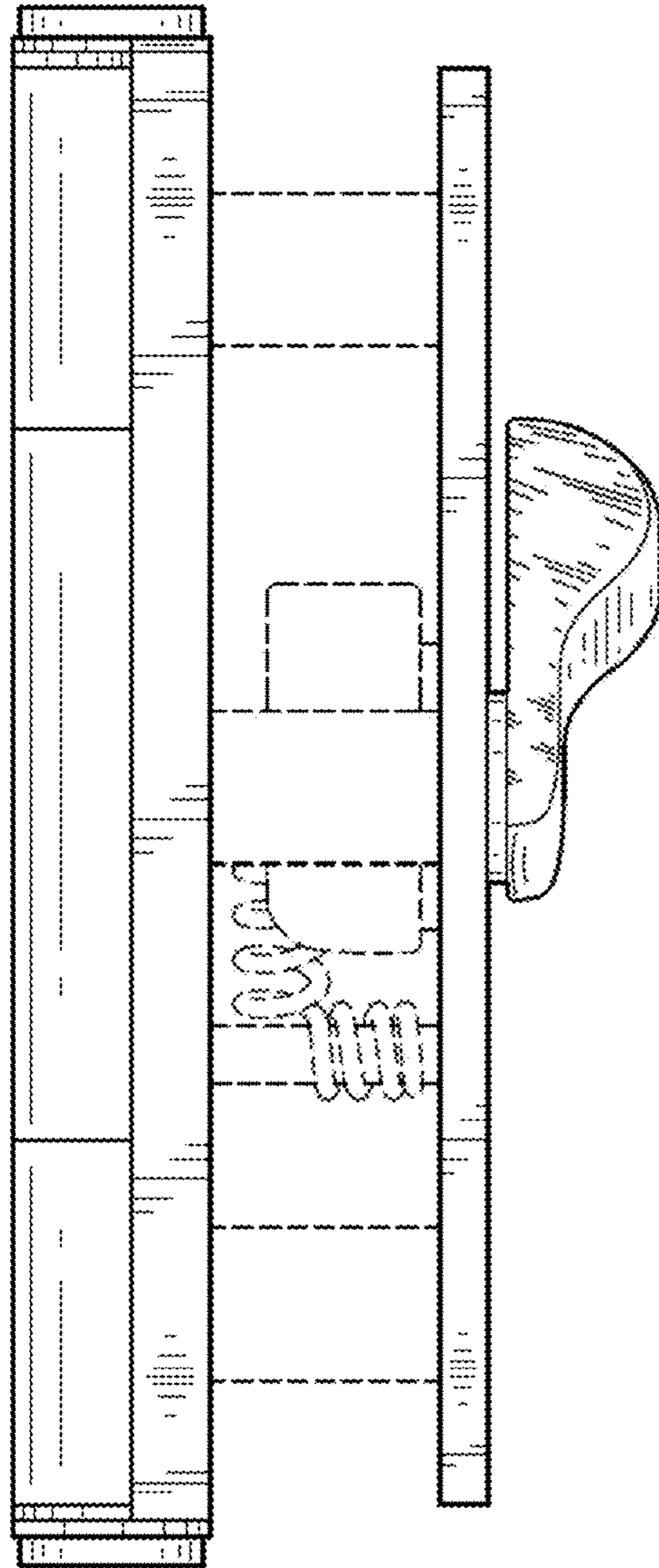


FIG.4



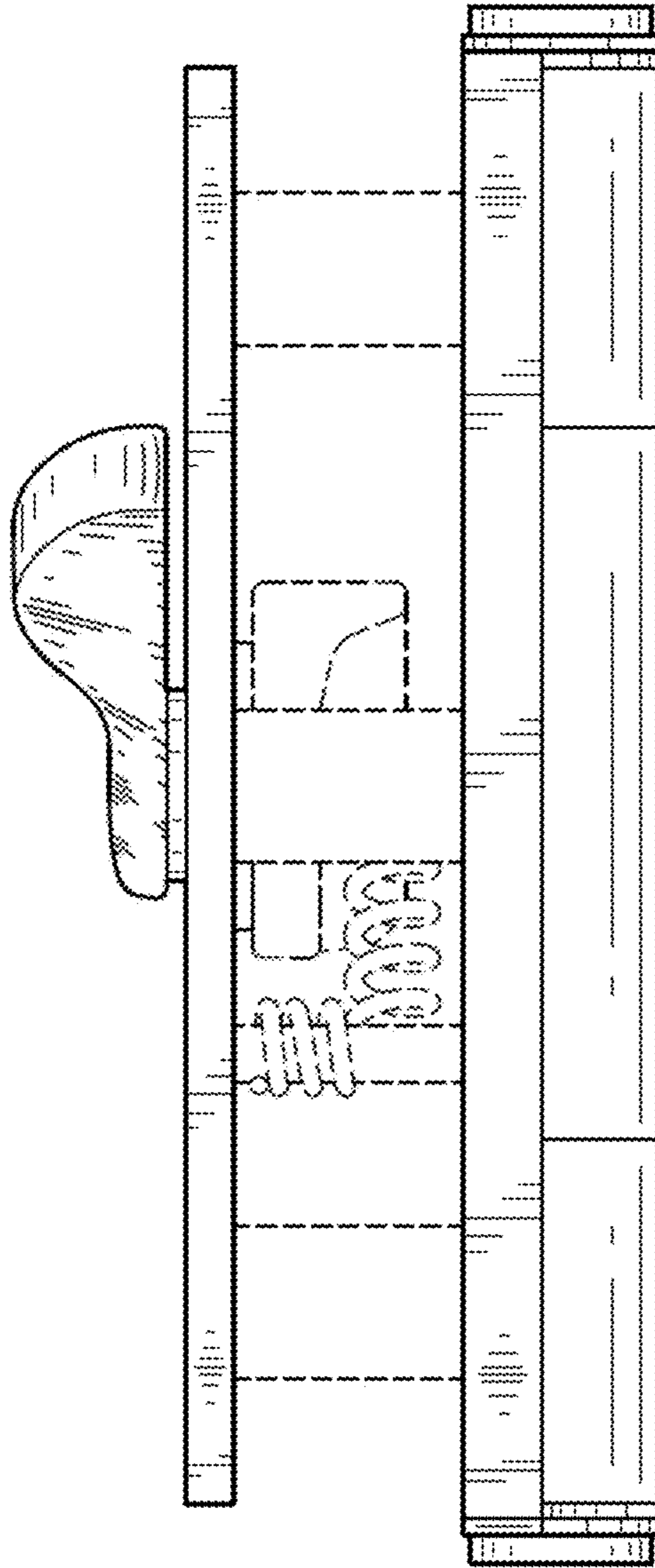


FIG.5

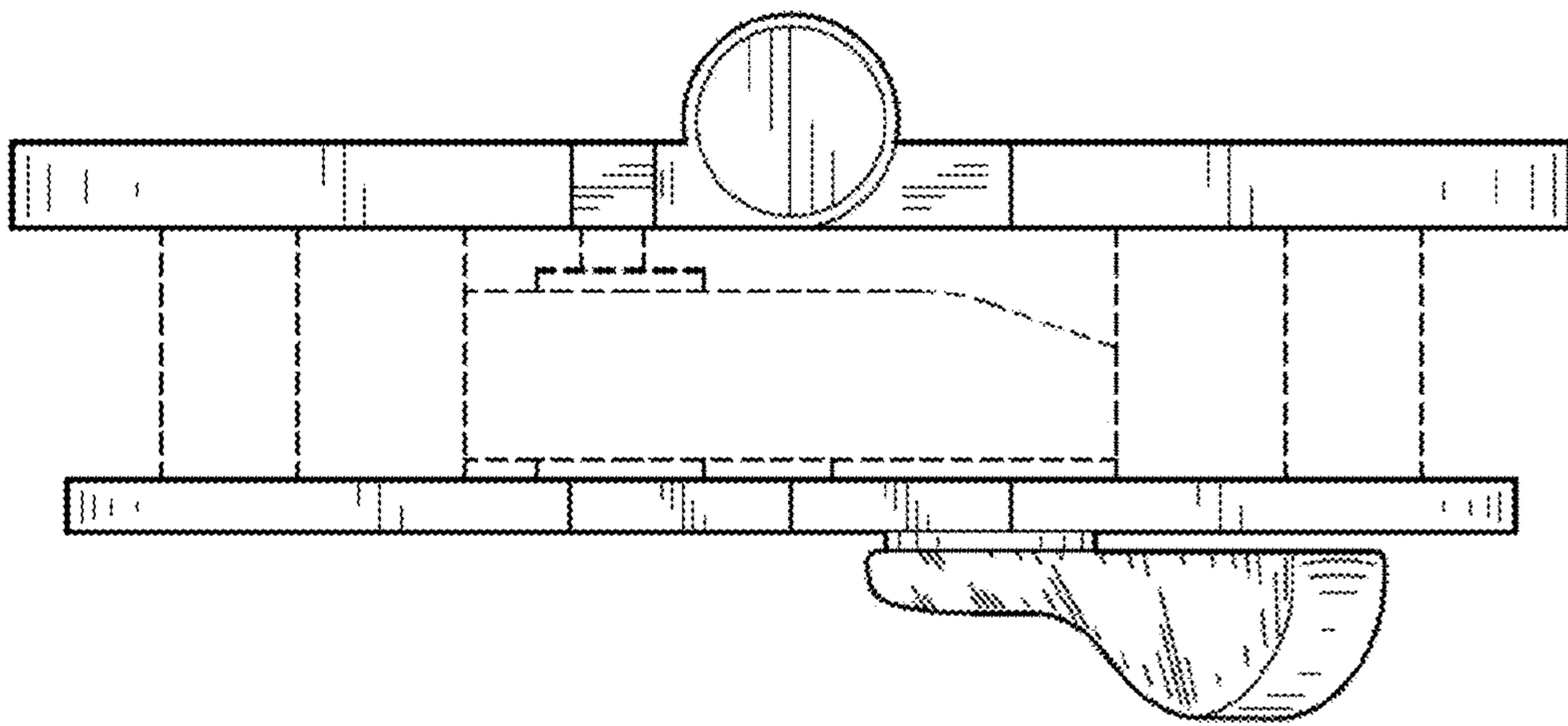


FIG.6

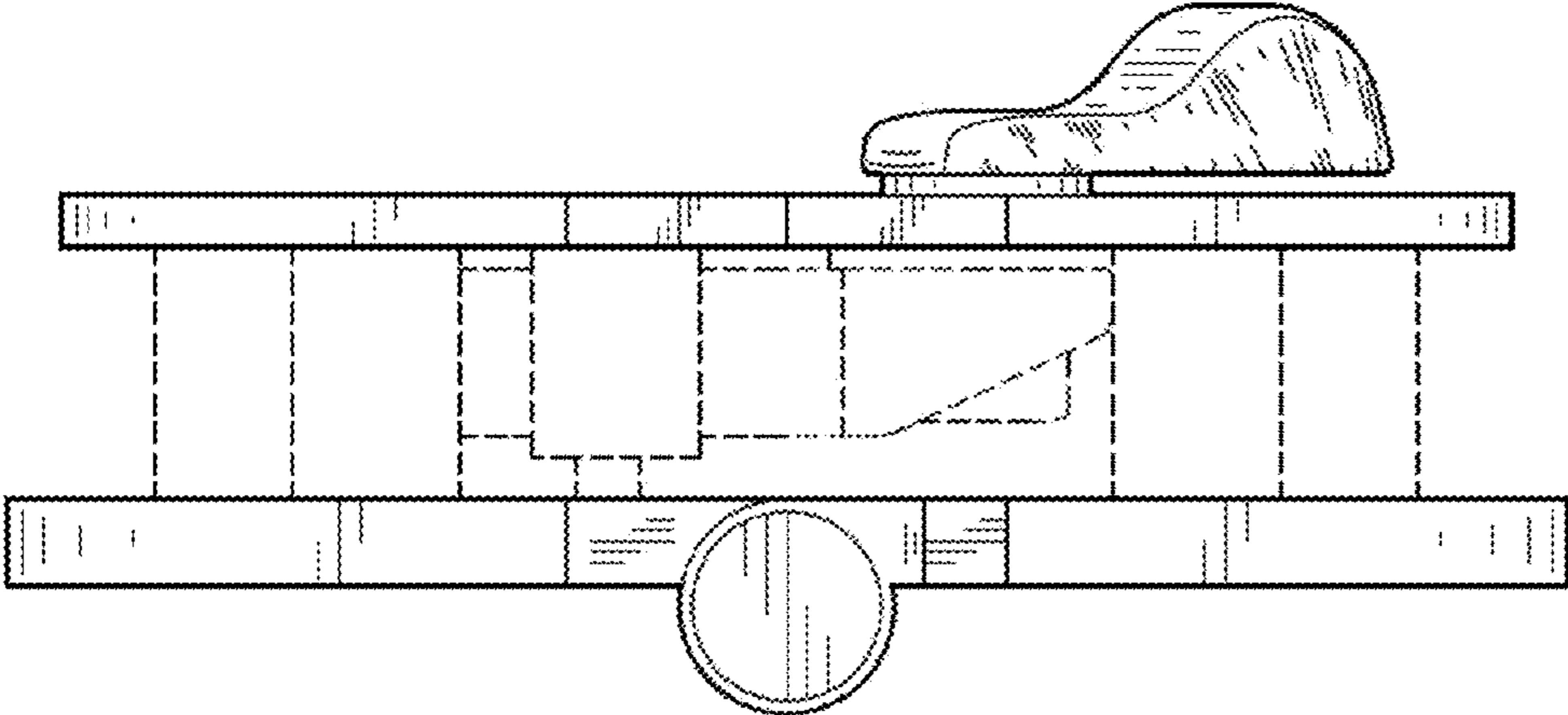


FIG.7



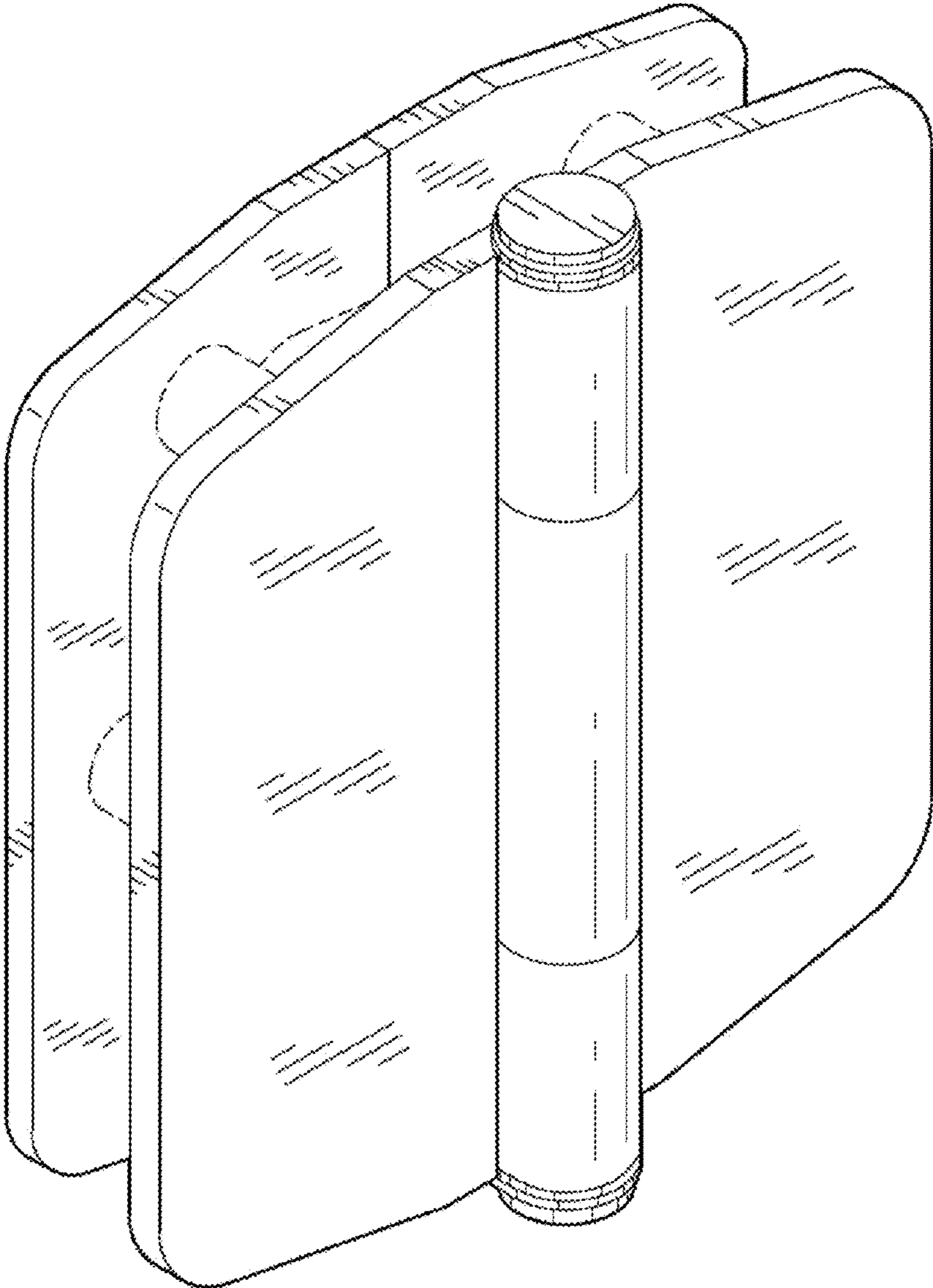


FIG. 8

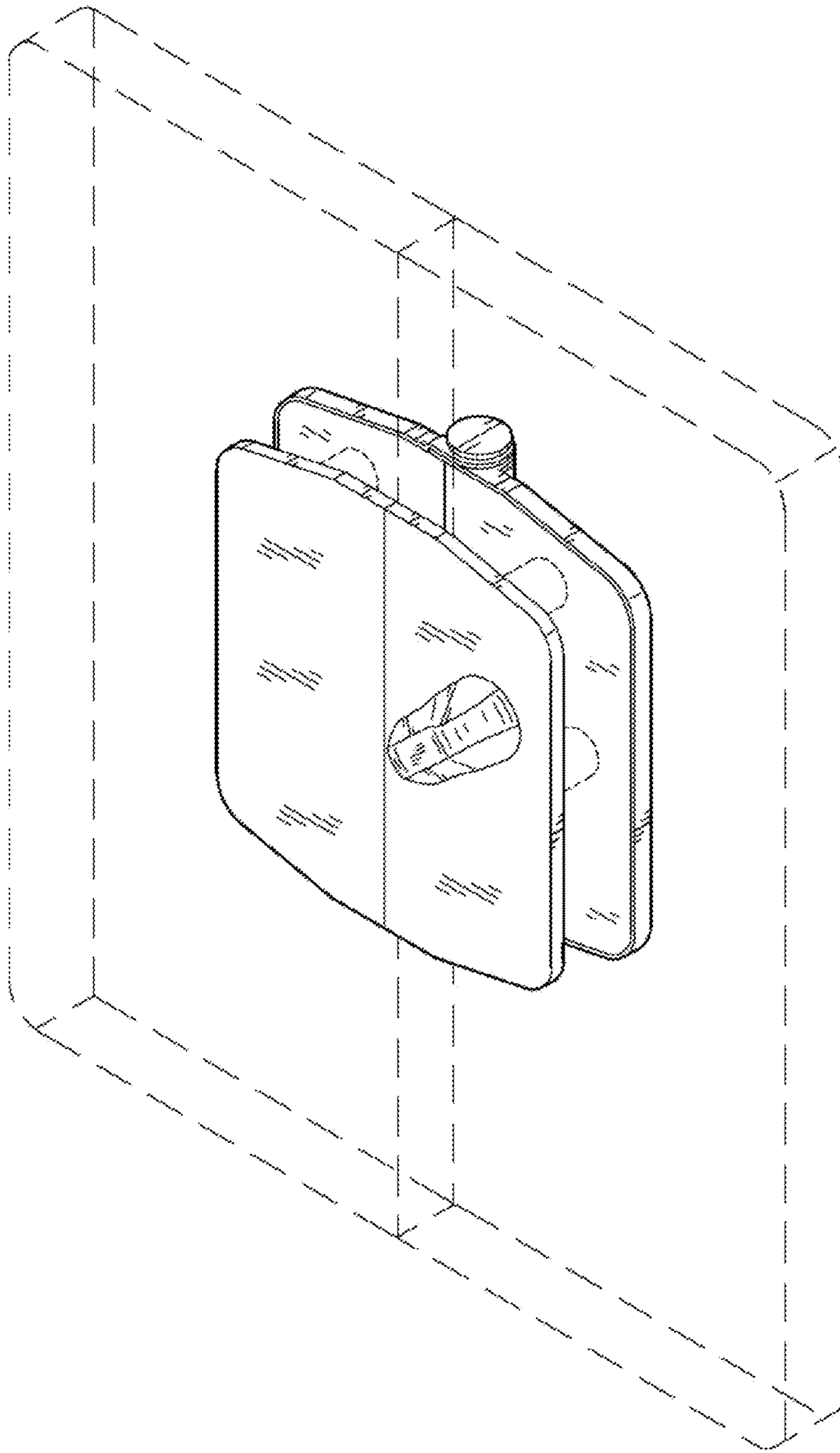


FIG.9

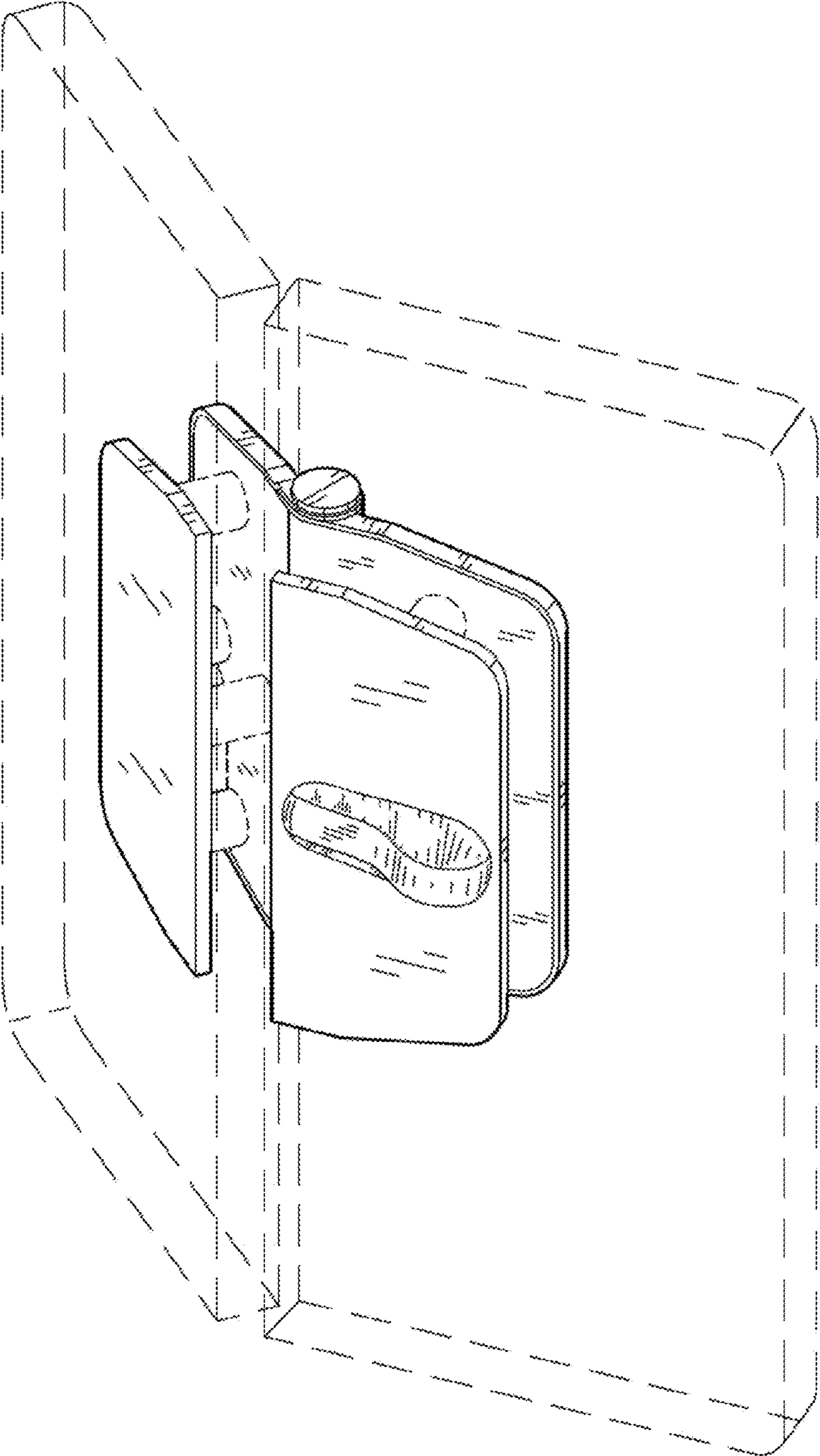


FIG.10

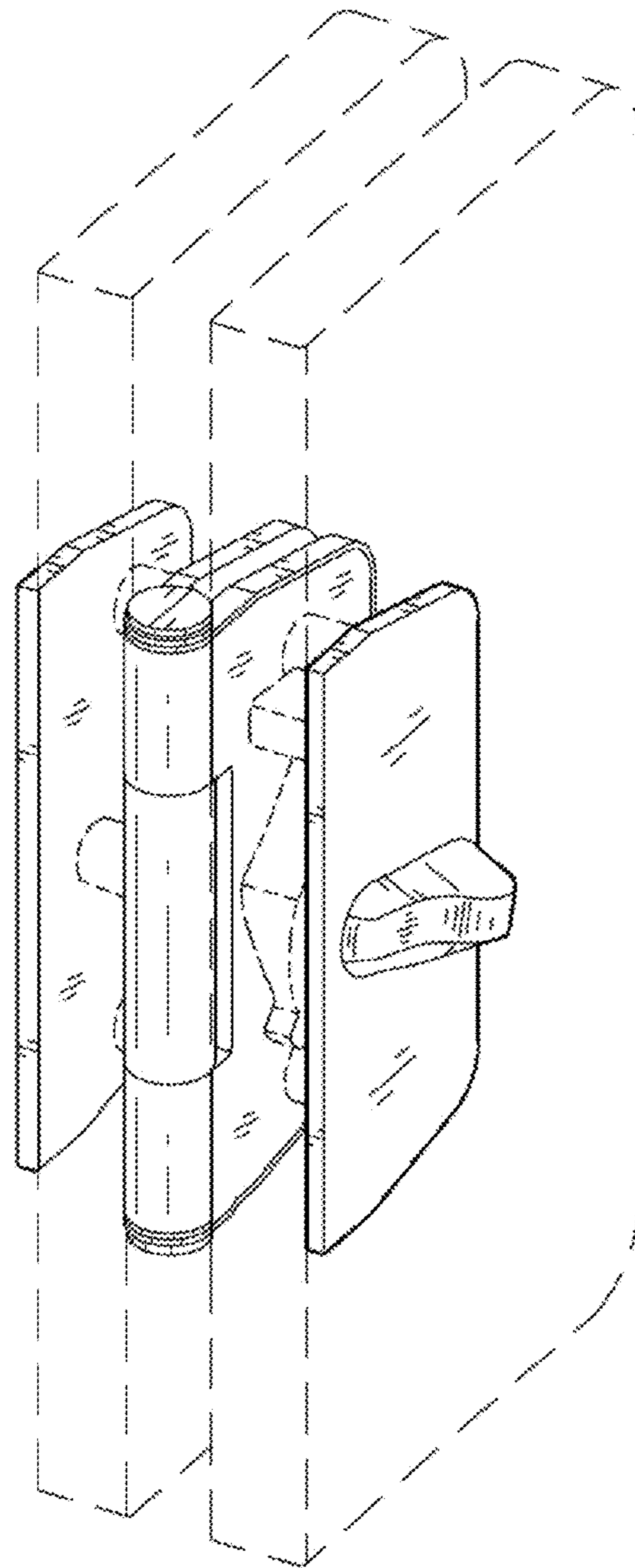


FIG.11