



US00D748449S

(12) **United States Design Patent**
Ou

(10) **Patent No.:** **US D748,449 S**
(45) **Date of Patent:** **** Feb. 2, 2016**

(54) **TOOLBOX HANDLE**
(71) Applicant: **Yu-Hua Ou**, Taichung (TW)
(72) Inventor: **Yu-Hua Ou**, Taichung (TW)
(**) Term: **14 Years**
(21) Appl. No.: **29/508,096**
(22) Filed: **Nov. 3, 2014**
(51) **LOC (10) Cl.** **08-06**
(52) **U.S. Cl.**
USPC **D8/316**
(58) **Field of Classification Search**
USPC D8/300, 301, 302, 313, 315, 316, 318,
D8/319, 320; D6/546, 549; D7/393, 394;
16/110.1, 114.1, 405, 406, 408-411,
16/412, 413, 415, 419, 422, 424, 425, 430,
16/436; D15/89; D3/276, 279, 281, 282,
D3/291, 318, 328
CPC Y10T 16/469; Y10T 16/44; Y10T 16/458;
Y10T 16/498; Y10T 16/476; Y10T 16/459;
Y10T 16/466; Y10T 16/4713; Y10T 16/4644;
Y10T 16/513; Y10T 16/509; Y10T 16/473;
Y10T 16/462; Y10T 16/4701; Y10T
74/20732; Y10T 29/49826; Y10T 16/4719;
Y10T 16/455; Y10T 16/4559; Y10T
74/20828; Y10T 74/20738; Y10T 74/20762;
Y10T 16/4628; Y10T 74/20864; Y10T
16/4567; Y10T 16/4576; Y10T 16/501;
Y10T 16/86
See application file for complete search history.

D432,893 S * 10/2000 Lu D8/316
D450,998 S * 11/2001 Wang D8/316
6,640,378 B2 * 11/2003 Hsu B25G 1/102
15/143.1
D582,750 S * 12/2008 Heidrich D8/316
D626,748 S * 11/2010 Chang D3/318
D627,564 S * 11/2010 Chu D3/318
D681,954 S * 5/2013 Jiang D3/318
2012/0243152 A1 * 9/2012 Kawada G06F 1/1613
361/679.01

* cited by examiner

Primary Examiner — Derrick Holland
Assistant Examiner — Lauren Calve
(74) *Attorney, Agent, or Firm* — Muncy, Geissler, Olds & Lowe, P.C.

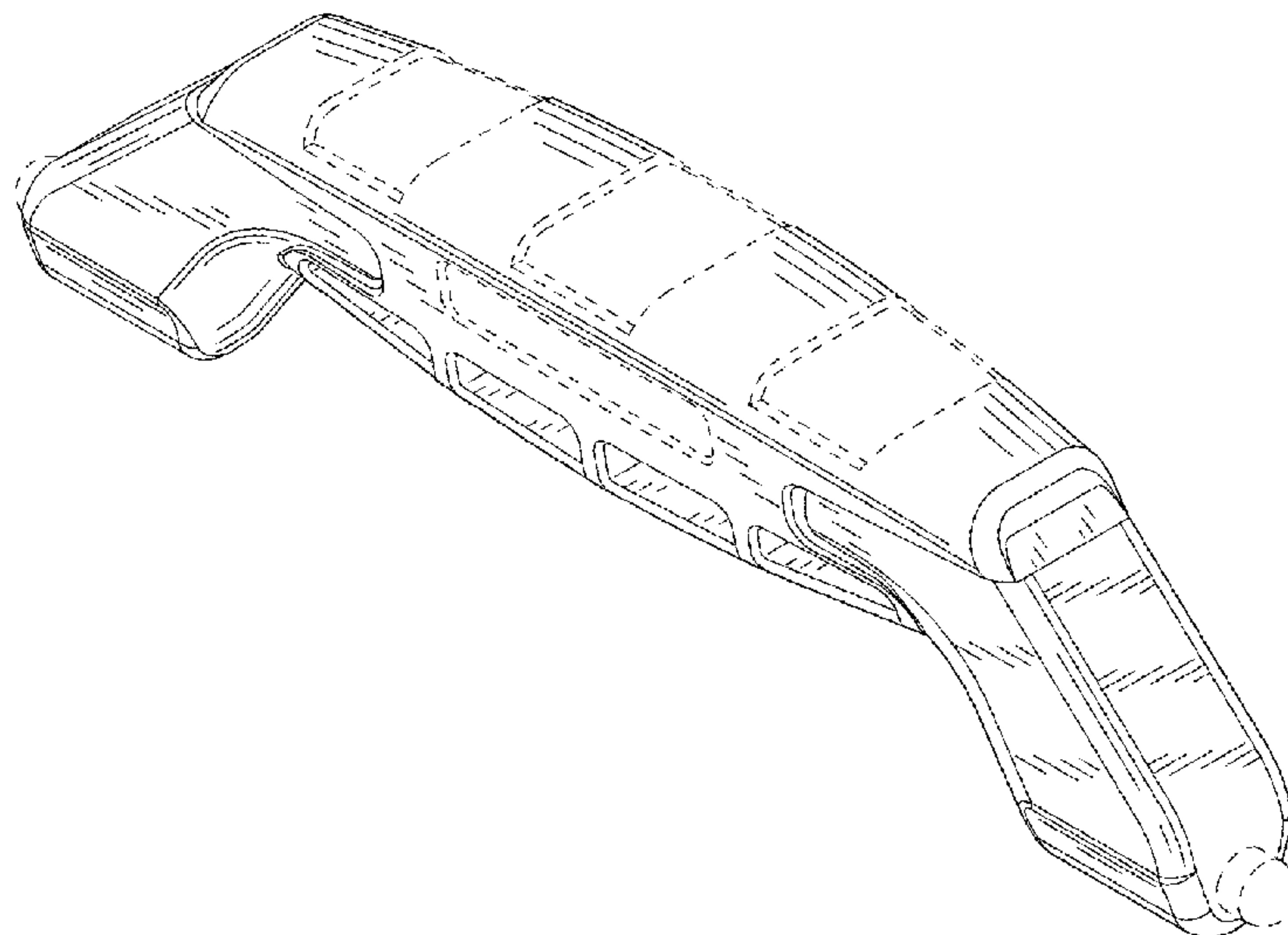
(57) **CLAIM**
I claim the ornamental design for a toolbox handle, as shown and described.

DESCRIPTION

FIG. 1 is a right, front, top perspective view of a toolbox handle showing my new design;
FIG. 2 is a front elevational view thereof, the rear being a mirror image;
FIG. 3 is a left side view thereof, the right side being a mirror image;
FIG. 4 is a top plan view thereof;
FIG. 5 is a bottom plan view thereof;
FIG. 6 is a cross-sectional view thereof, taken along lines 6-6 shown in FIG. 2;
FIG. 7 is a second right, front, top perspective view thereof; and,
FIG. 8 is a perspective view thereof shown in environmental use.
The broken lines shown represent unclaimed subject matter and form no part of the claimed design.

1 Claim, 5 Drawing Sheets

(56) **References Cited**
U.S. PATENT DOCUMENTS
D380,956 S * 7/1997 Collins D8/316
D426,134 S * 6/2000 Pytlewski D8/107



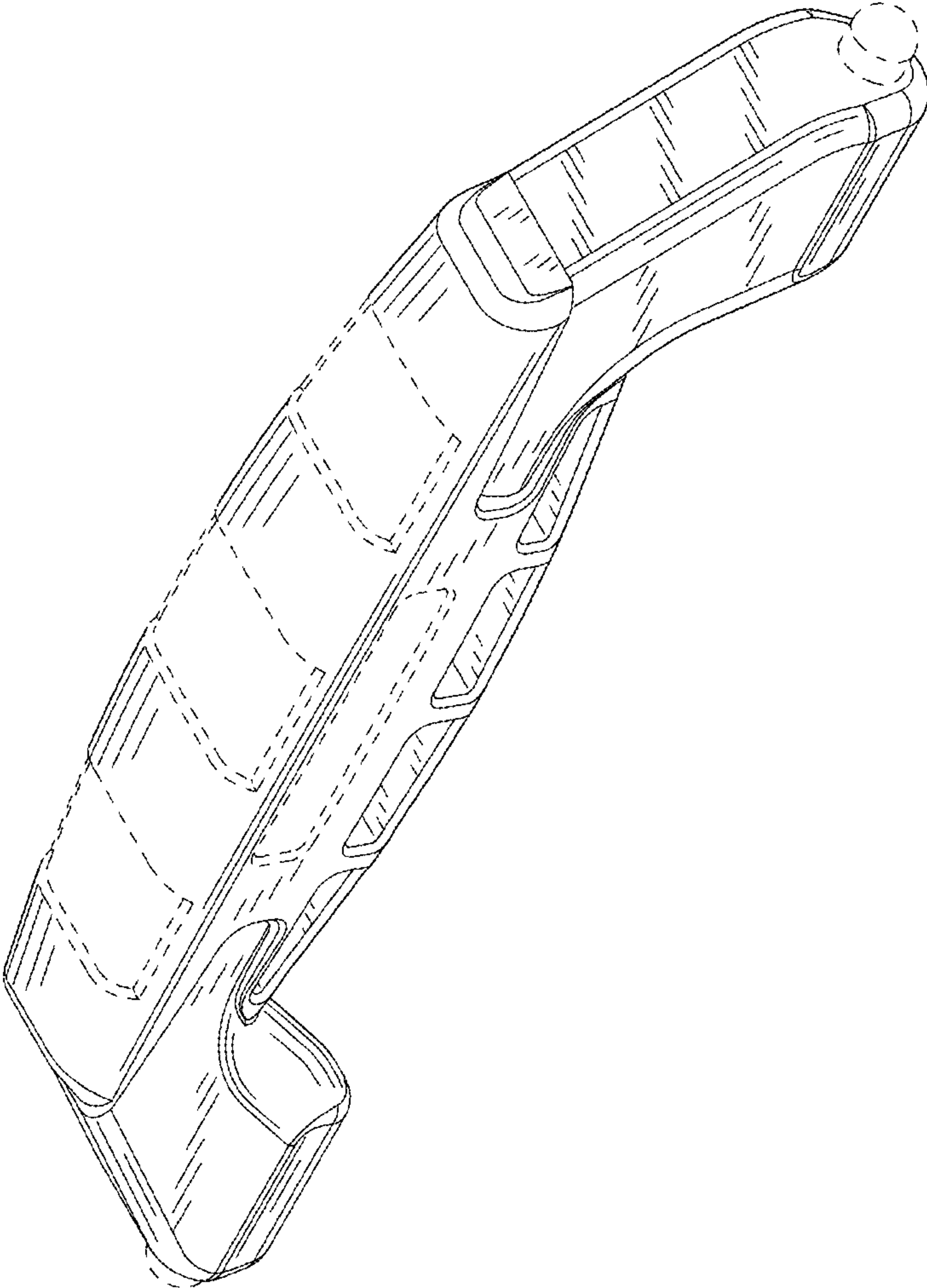


FIG. 1

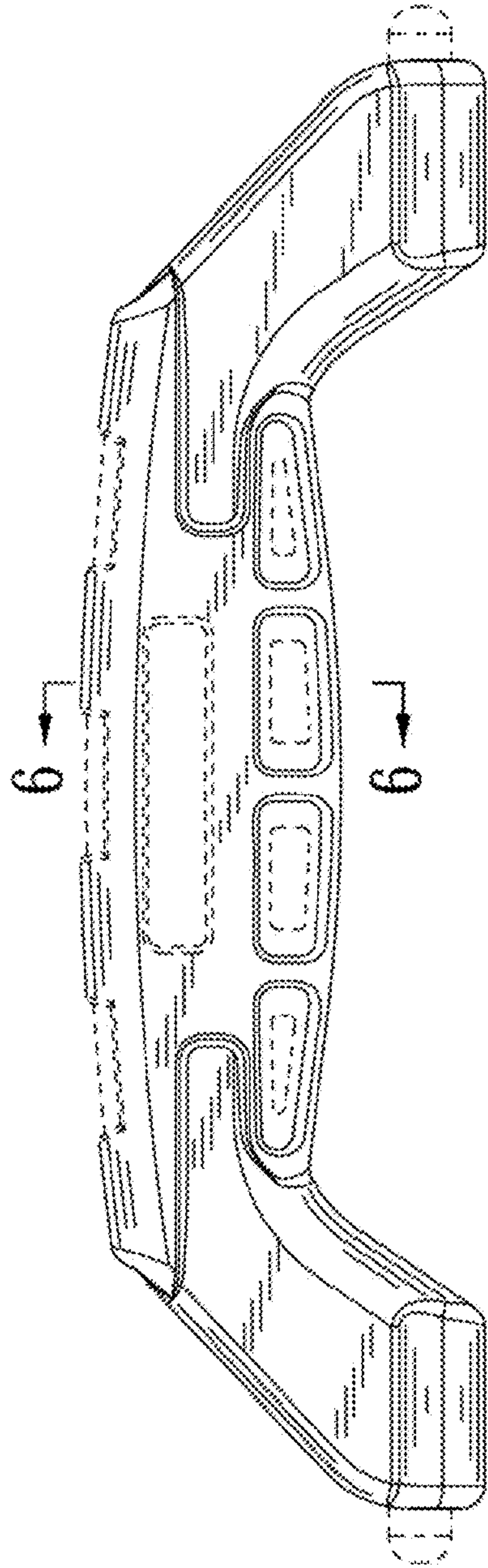


FIG. 2

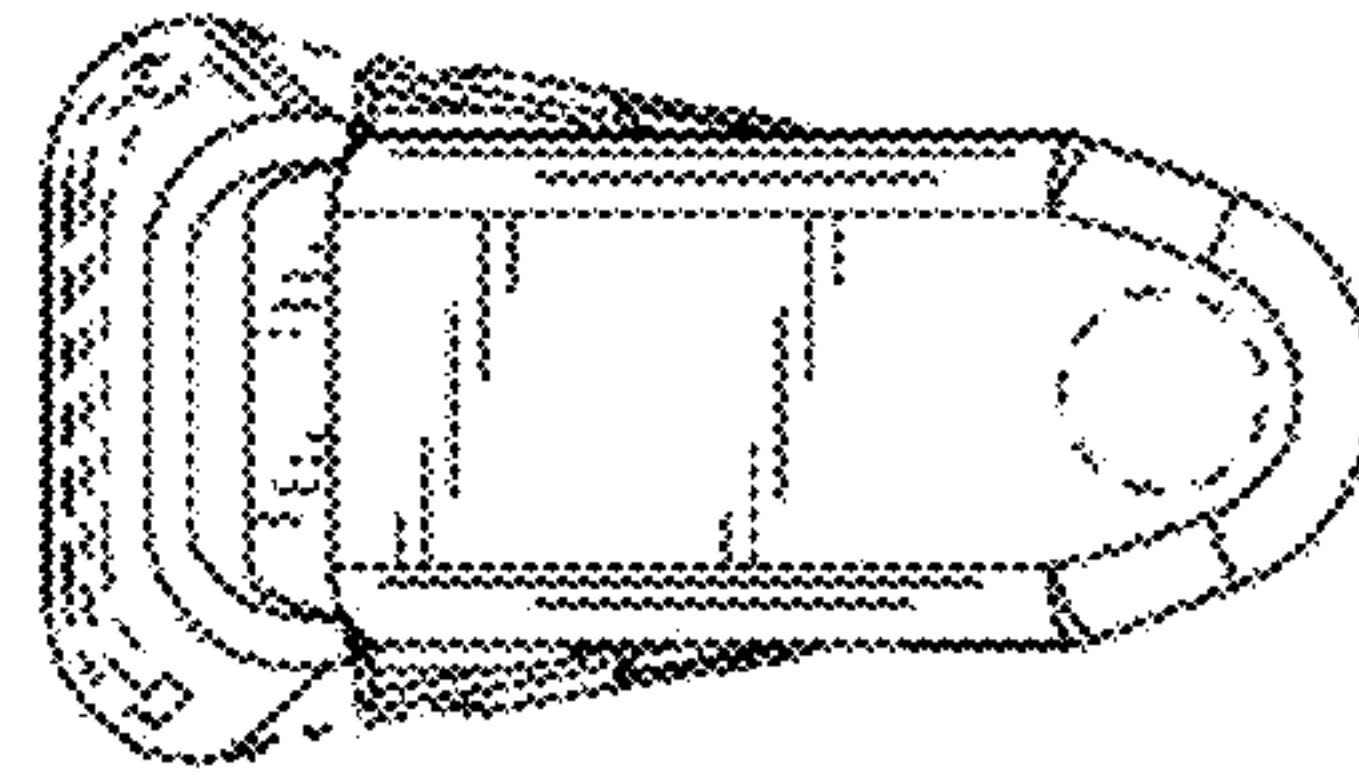


FIG. 3

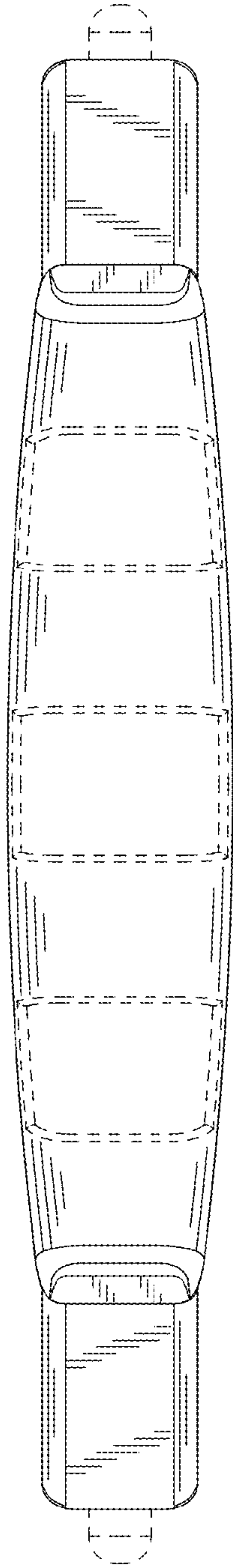


FIG. 4

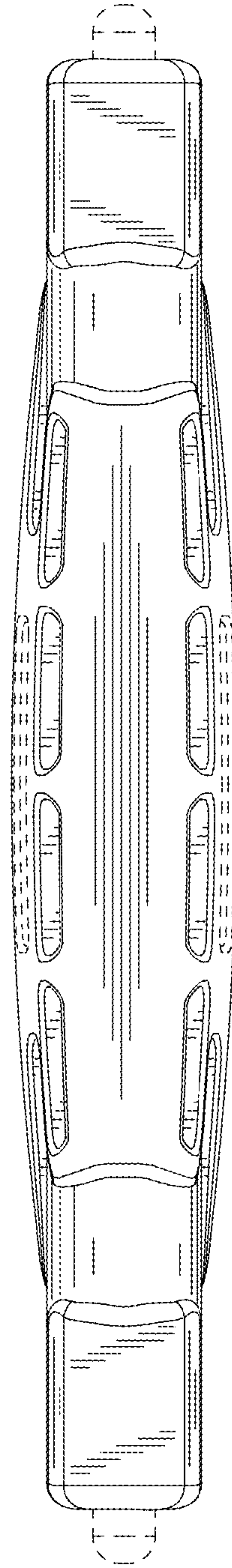


FIG. 5

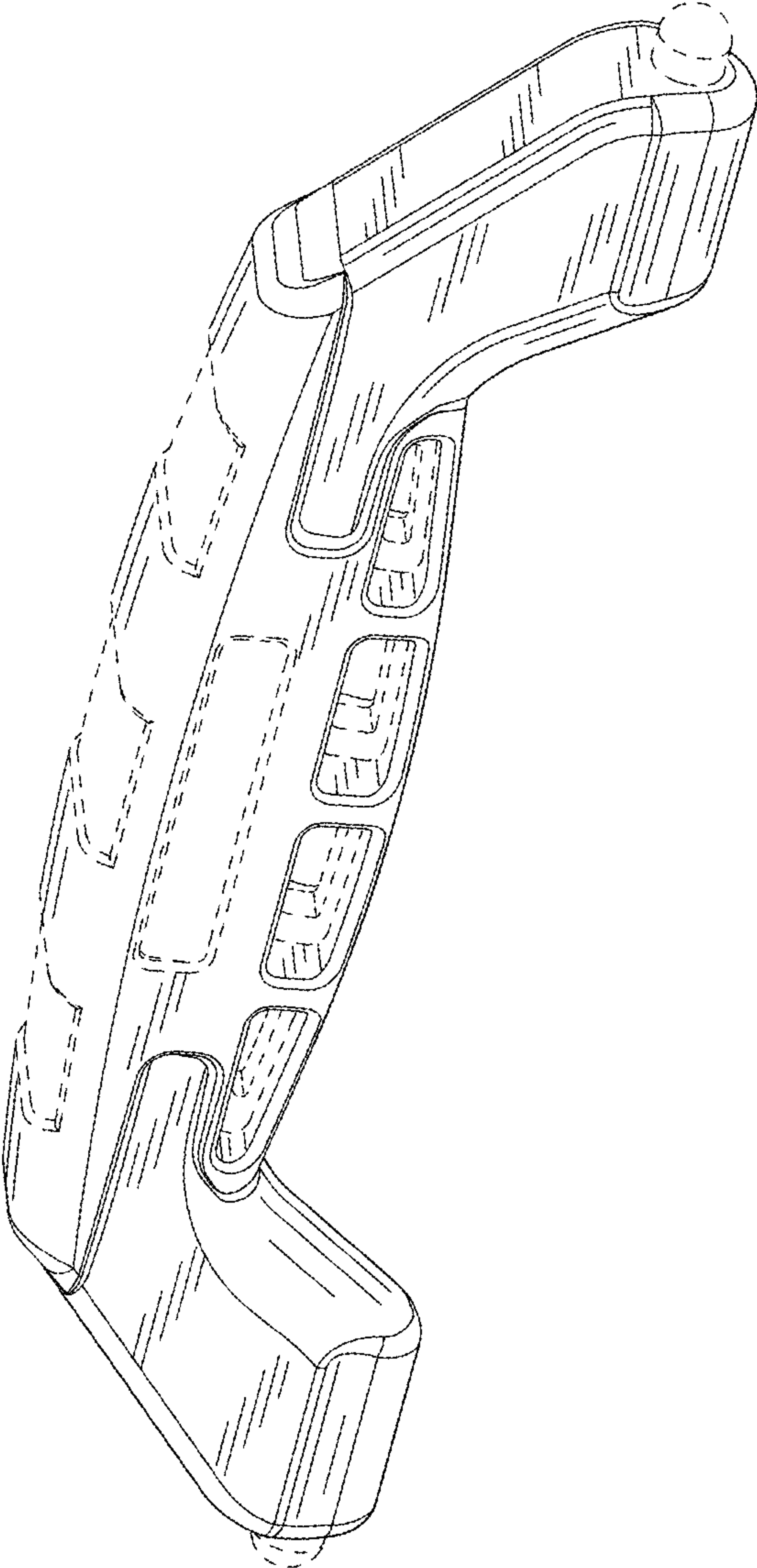


FIG. 7

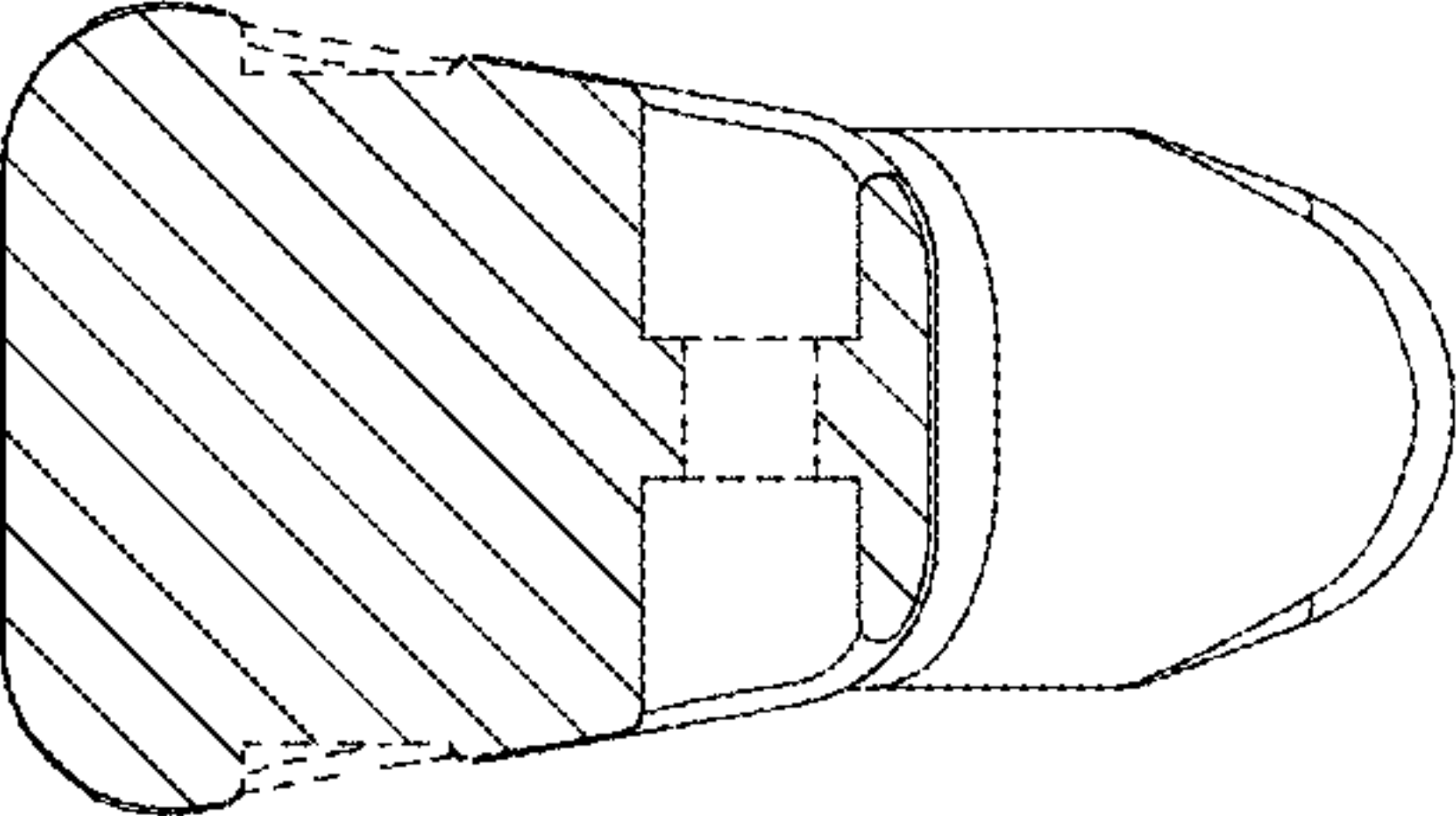


FIG. 6

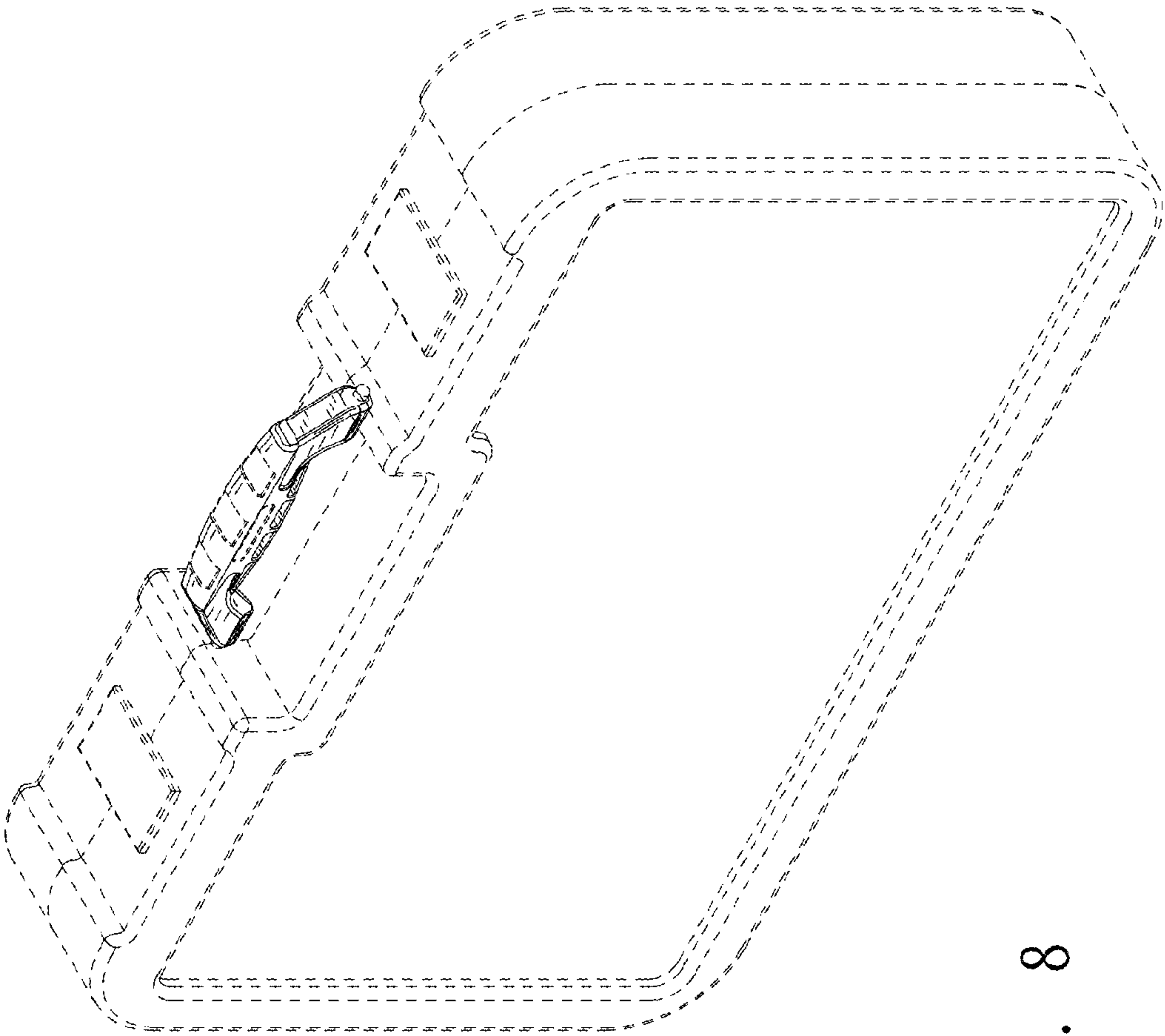


FIG. 8