



US00D748448S

(12) **United States Design Patent**
Nelson

(10) **Patent No.:** **US D748,448 S**

(45) **Date of Patent:** **** Feb. 2, 2016**

- (54) **WORK LIGHT HANDLE GRIP**
- (71) Applicant: **HOMER TLC, INC.**, Wilmington, DE (US)
- (72) Inventor: **Michael Nelson**, Peachtree City, GA (US)
- (73) Assignee: **Homer TLC, Inc.**, Wilmington, DE (US)
- (**) Term: **14 Years**
- (21) Appl. No.: **29/440,607**

6,450,660	B1	*	9/2002	Lee	362/207
D505,220	S	*	5/2005	Stekelenburg	D26/61
D558,369	S	*	12/2007	O'Hern	D26/42
D590,693	S	*	4/2009	Bertani	D8/315
D604,573	S	*	11/2009	Boies et al.	D8/10
D630,487	S	*	1/2011	Davis	D8/107
D657,483	S	*	4/2012	Leen	D26/37
D657,652	S	*	4/2012	Lin	D8/303

* cited by examiner

Primary Examiner — Ian Simmons

Assistant Examiner — Carrisa C Fitts

(74) *Attorney, Agent, or Firm* — Norton Rose Fulbright US LLP

- (22) Filed: **Dec. 21, 2012**
- (51) **LOC (10) Cl.** **08-06**
- (52) **U.S. Cl.**
USPC **D8/300**; D26/113; D26/50
- (58) **Field of Classification Search**
USPC D26/37, 38, 39, 40, 41, 42, 49, 51, 57,
D26/60, 29, 113, 61, 63, 65, 50; 362/157,
362/158, 183, 184, 194-196, 200-208,
362/253; D8/61, 62, 69, 94, 300, 301, 303,
D8/321, 322, 10, 315
CPC ... F21V 33/00; F21V 14/025; F21V 21/4606;
F21Y 101/02; F21L 17/00; F21L 13/08
See application file for complete search history.

(56) **References Cited**

U.S. PATENT DOCUMENTS

D392,061	S	*	3/1998	Lo	D26/42
D427,863	S	*	7/2000	Kurz	D8/10
D449,502	S	*	10/2001	Fraser et al.	D8/62

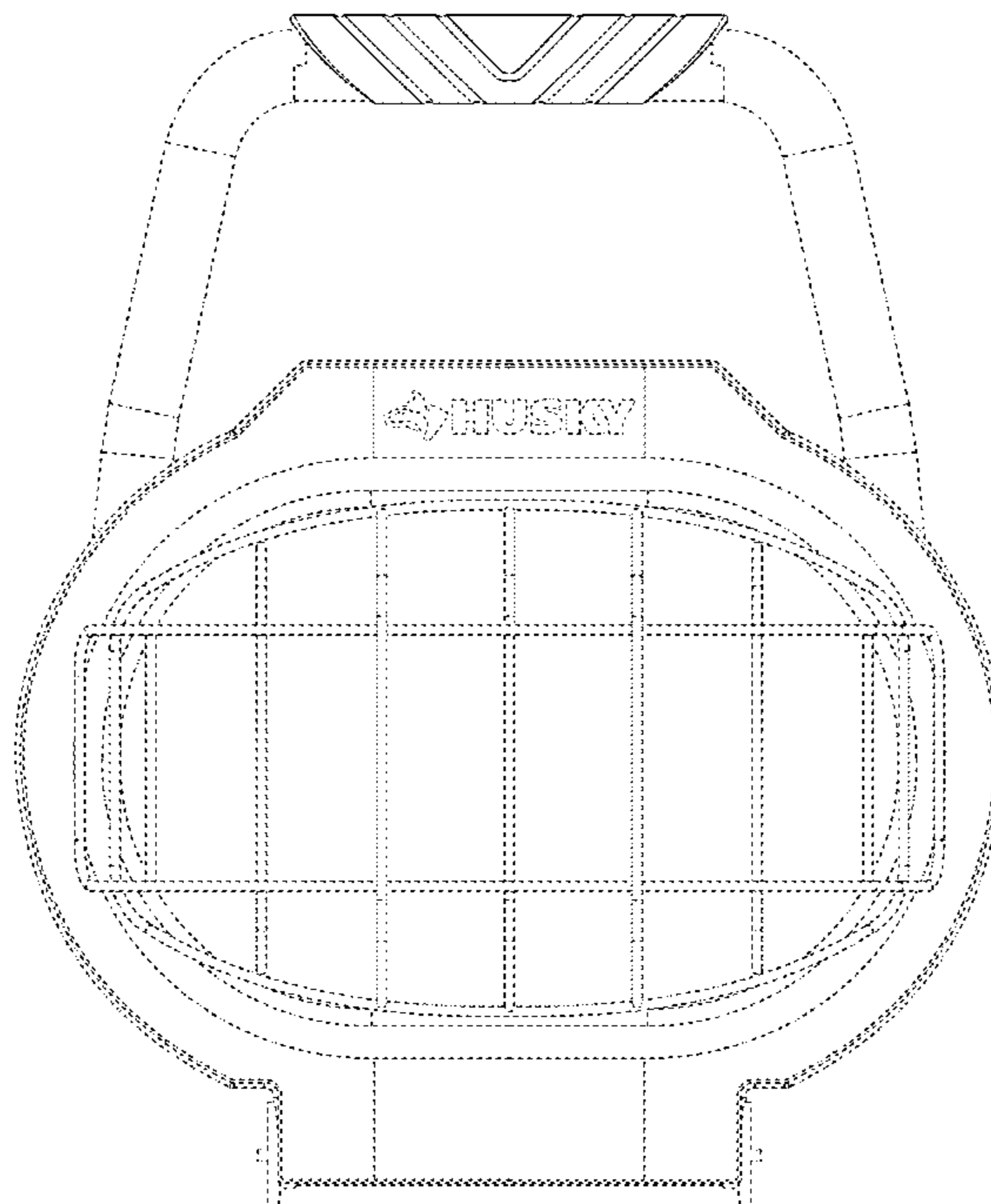
(57) **CLAIM**

The ornamental design for a work light handle grip, as shown and described.

DESCRIPTION

FIG. 1 is a perspective view of a work light handle grip showing my new design;
 FIG. 2 is a second perspective view thereof;
 FIG. 3 is a front view thereof;
 FIG. 4 is a left side view thereof, the right side view being a mirror image thereof;
 FIG. 5 is a top view thereof; and,
 FIG. 6 is a bottom view thereof.
 The broken line showing represents unclaimed portions of a work light and forms no part of the claimed design.

1 Claim, 6 Drawing Sheets



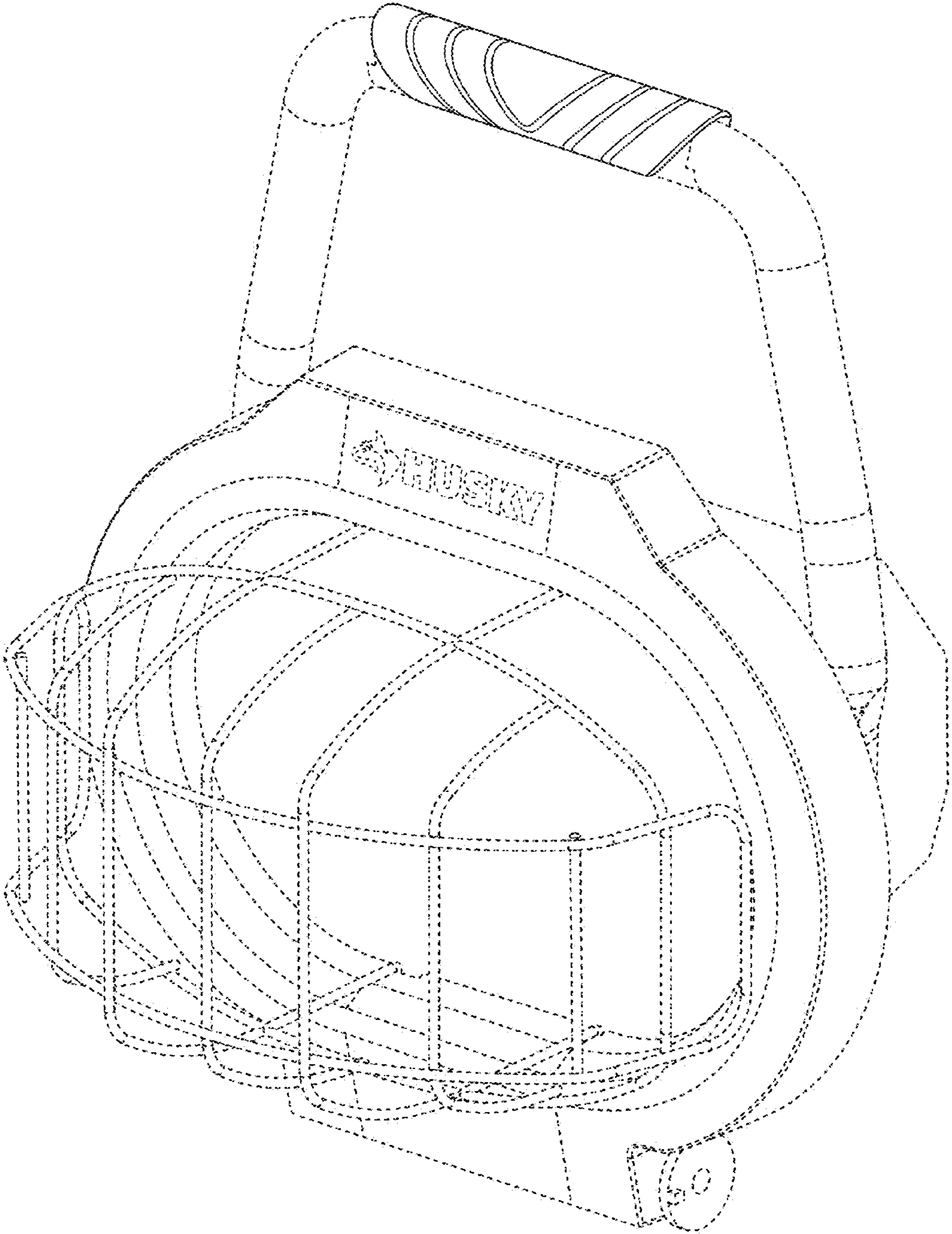


FIG. 1

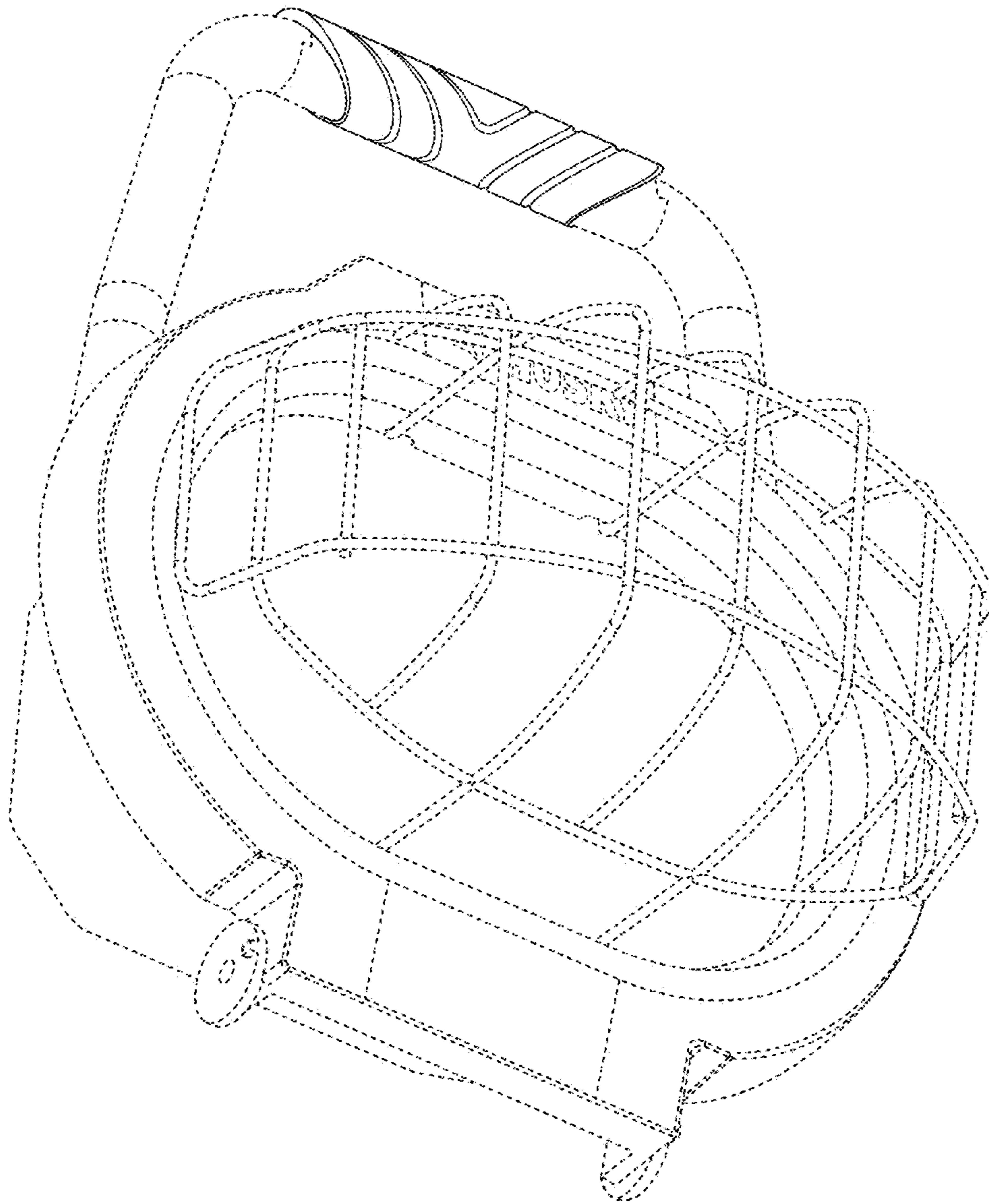


FIG. 2

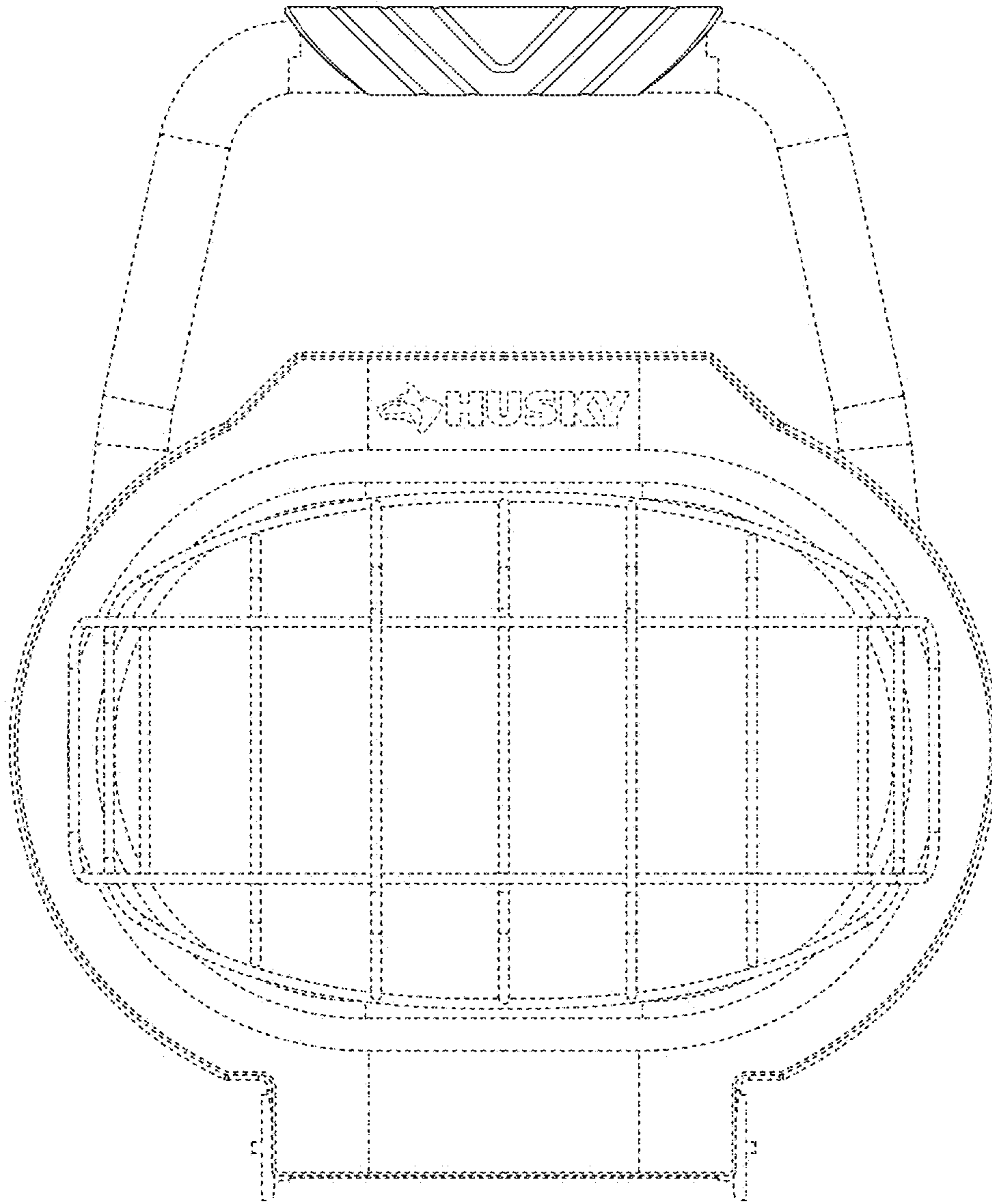


FIG. 3

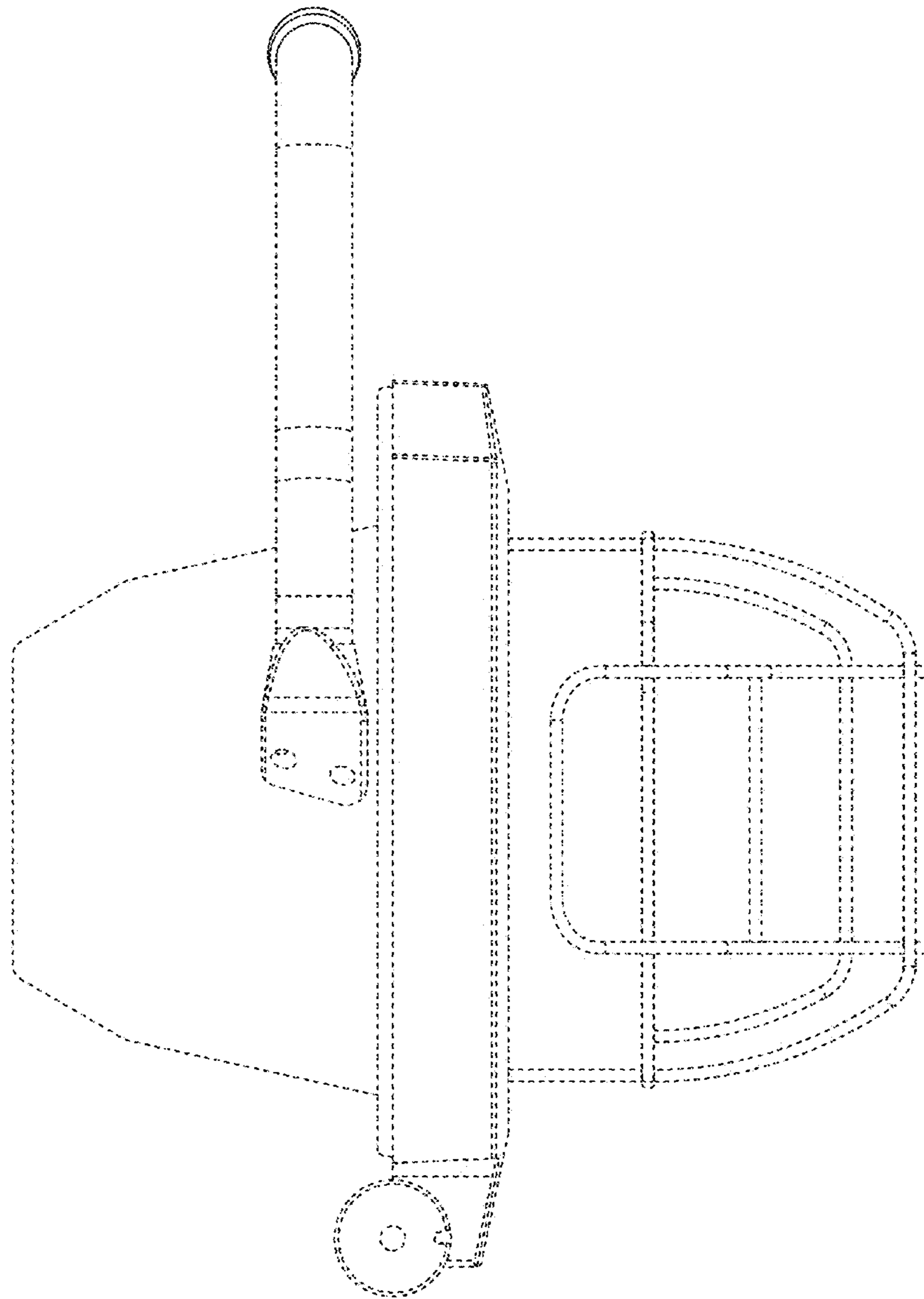


FIG. 4

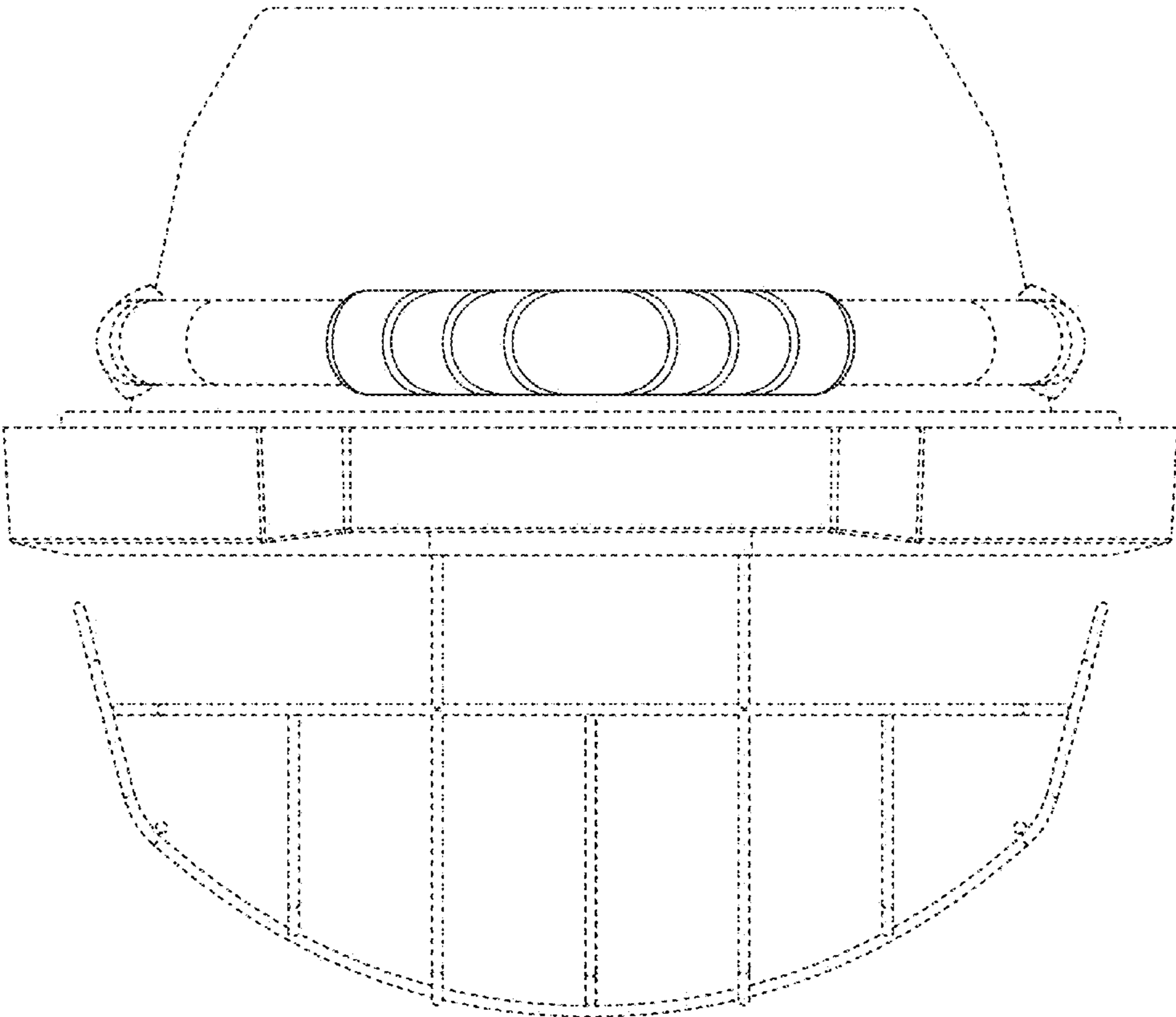


FIG. 5

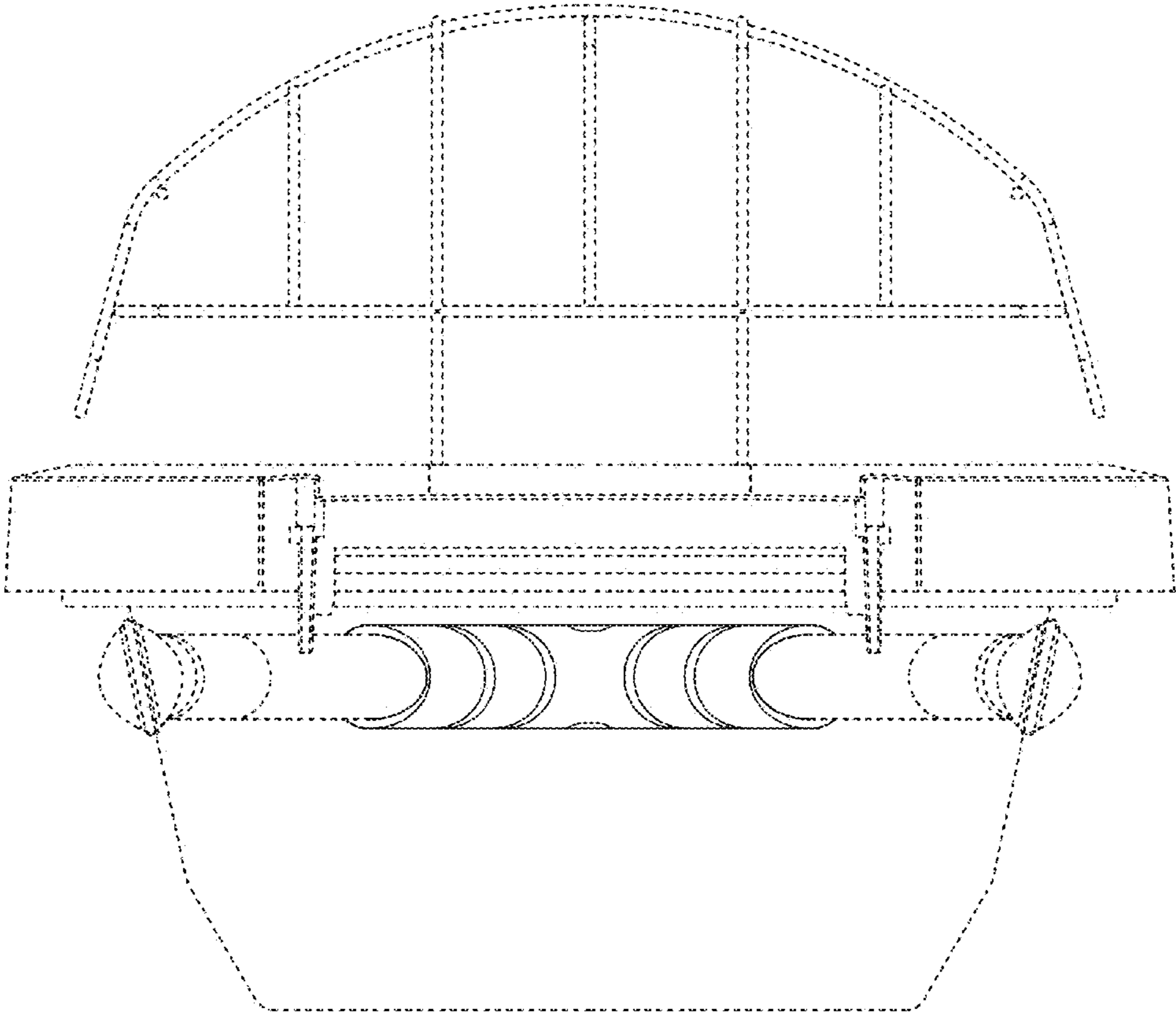


FIG. 6