



US00D748446S

(12) **United States Design Patent**  
**Fretz**

(10) **Patent No.:** **US D748,446 S**  
(45) **Date of Patent:** **\*\* Feb. 2, 2016**

(54) **DRILL WINCH**

(71) Applicant: **Warn Industries, Inc.**, Clackamas, OR  
(US)

(72) Inventor: **Darren G. Fretz**, Oregon City, OR (US)

(73) Assignee: **Warn Industries, Inc.**, Clackamas, OR  
(US)

(\*\*) Term: **14 Years**

(21) Appl. No.: **29/518,507**

(22) Filed: **Feb. 24, 2015**

**Related U.S. Application Data**

(62) Division of application No. 29/485,088, filed on Mar. 14, 2014.

(51) **LOC (10) Cl.** ..... **08-03**

(52) **U.S. Cl.**  
USPC ..... **D8/70; D34/33**

(58) **Field of Classification Search**  
USPC ..... D8/14.1, 61-70, 359, 394; 81/429,  
81/454-456, 469, 489; 173/104, 114,  
173/168-171, 178, 201, 211, 213, 217;  
408/20, 124, 125, 234; 388/809;  
D34/33; D23/233  
CPC ..... B66D 1/02; B66D 1/12; B66D 1/14;  
B25F 3/00

See application file for complete search history.

(56) **References Cited**

**U.S. PATENT DOCUMENTS**

D322,557 S \* 12/1991 Cummings ..... D8/394  
D348,758 S \* 7/1994 Lichtenvort ..... D34/33  
5,572,905 A 11/1996 Cook, Jr.  
5,595,251 A 1/1997 Cook, Jr.

5,775,186 A 7/1998 Rahm  
6,467,755 B2 \* 10/2002 Reilly et al. .... 254/223  
6,705,597 B1 \* 3/2004 Reilly et al. .... 254/223  
D489,157 S \* 4/2004 Lawson ..... D34/33  
D513,650 S \* 1/2006 Elliott ..... D34/33  
D550,720 S \* 9/2007 Geisler et al. .... D34/33  
7,278,808 B1 10/2007 Sisk, Sr. et al.  
7,357,612 B1 4/2008 Paul

(Continued)

**OTHER PUBLICATIONS**

DPX Systems Pick Up Winch Loading Motorcycle, DPX Systems,  
Available at: <http://www.dpxsystems.com/dpx-systems-pick-up-winch-loading-motorcycle/>, Accessed Jul. 15, 2013, 2 pages.

(Continued)

*Primary Examiner* — Philip S Hyder

*Assistant Examiner* — Darlington Ly

(74) *Attorney, Agent, or Firm* — Alleman Hall McCoy  
Russell & Tuttle LLP

(57) **CLAIM**

The ornamental design for a drill winch, as shown and described.

**DESCRIPTION**

FIG. 1 is a perspective view of a drill winch according to the present disclosure.

FIG. 2 is a front view of the drill winch of FIG. 1.

FIG. 3 is a back view of the drill winch of FIG. 1.

FIG. 4 is a left view of the drill winch of FIG. 1.

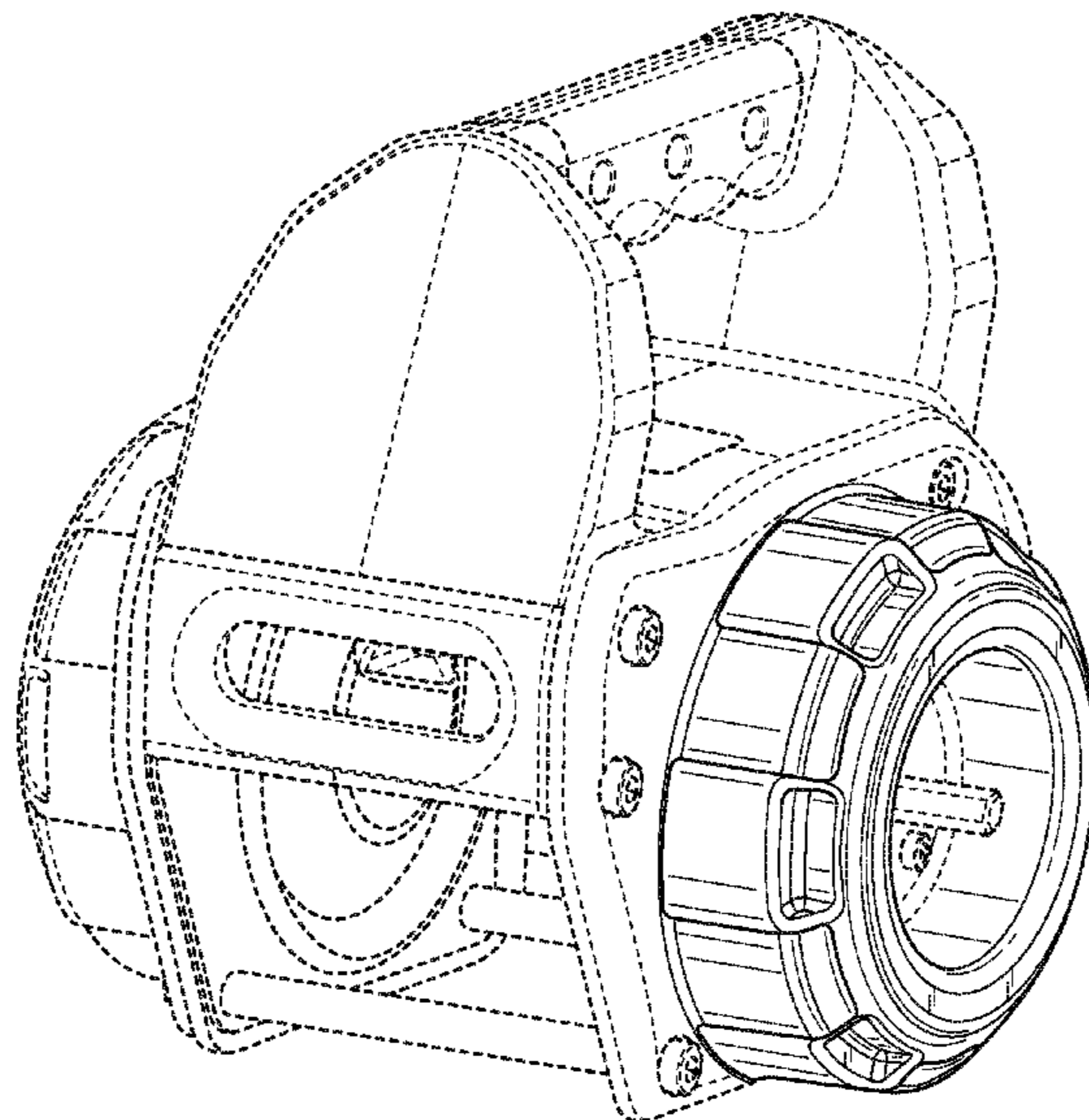
FIG. 5 is a right view of the drill winch of FIG. 1.

FIG. 6 is a top view of the drill winch of FIG. 1; and,

FIG. 7 is a bottom view of the drill winch of FIG. 1.

The broken lines in the drawings illustrate portions of the drill winch that form no part of the claimed design.

**1 Claim, 7 Drawing Sheets**



(56)

**References Cited**

2014/0001427 A1\* 1/2014 Fretz et al. .... 254/342

U.S. PATENT DOCUMENTS

OTHER PUBLICATIONS

7,410,336 B2 \* 8/2008 Parks ..... 410/156  
7,588,109 B2 9/2009 Wachendorf et al.  
7,789,375 B2 9/2010 Ying  
D682,073 S \* 5/2013 Payne ..... D8/359  
D703,414 S \* 4/2014 Fretz et al. .... D34/33  
D708,303 S \* 7/2014 Gehrling ..... D23/233  
2011/0079967 A1\* 4/2011 Presley ..... 279/145

DBI Sala, Manual for Digital Winch Product Number. SDB8518559,  
available as early as Jan. 1, 2006, 24 pages.

\* cited by examiner

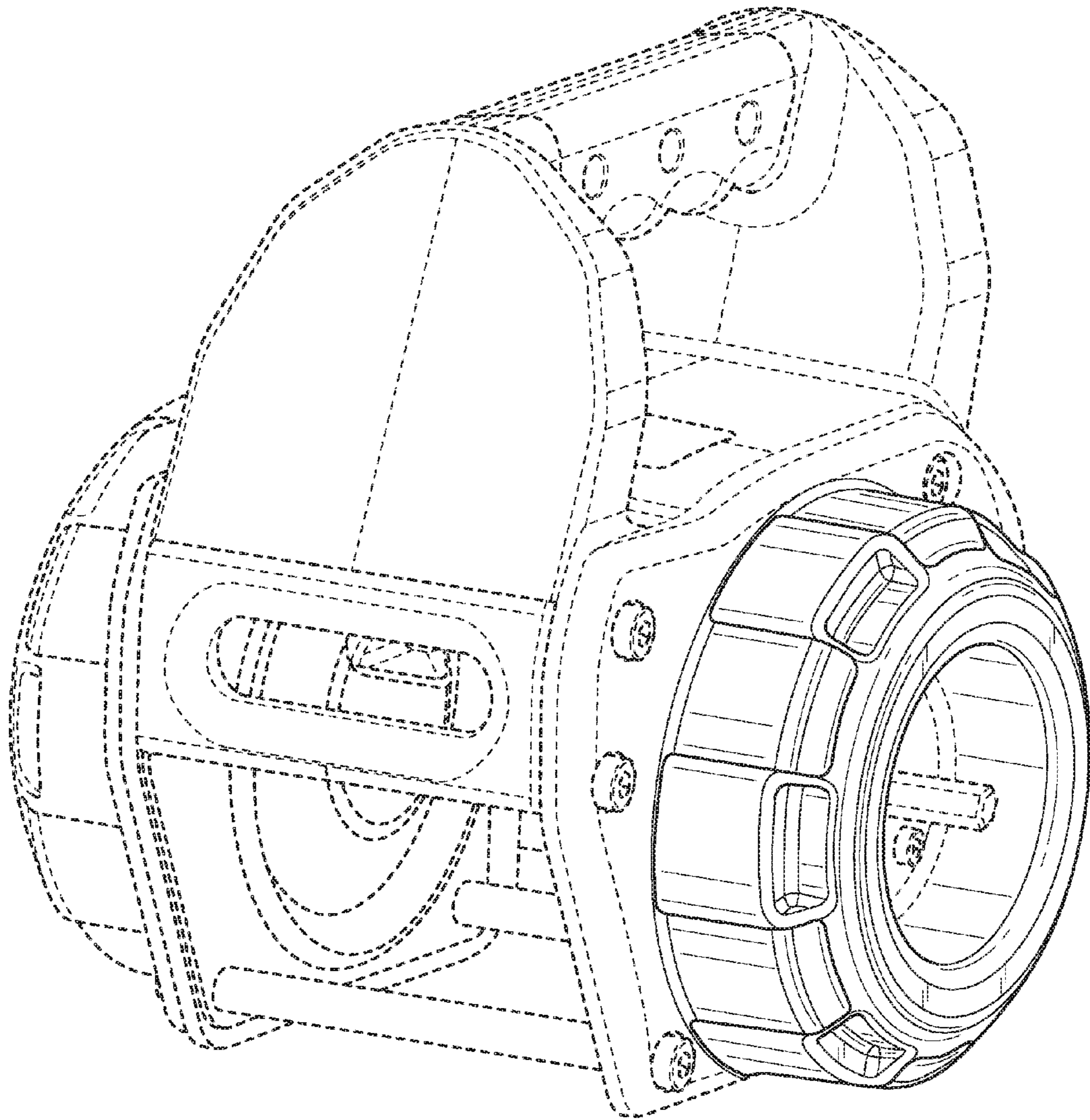


FIG. 1

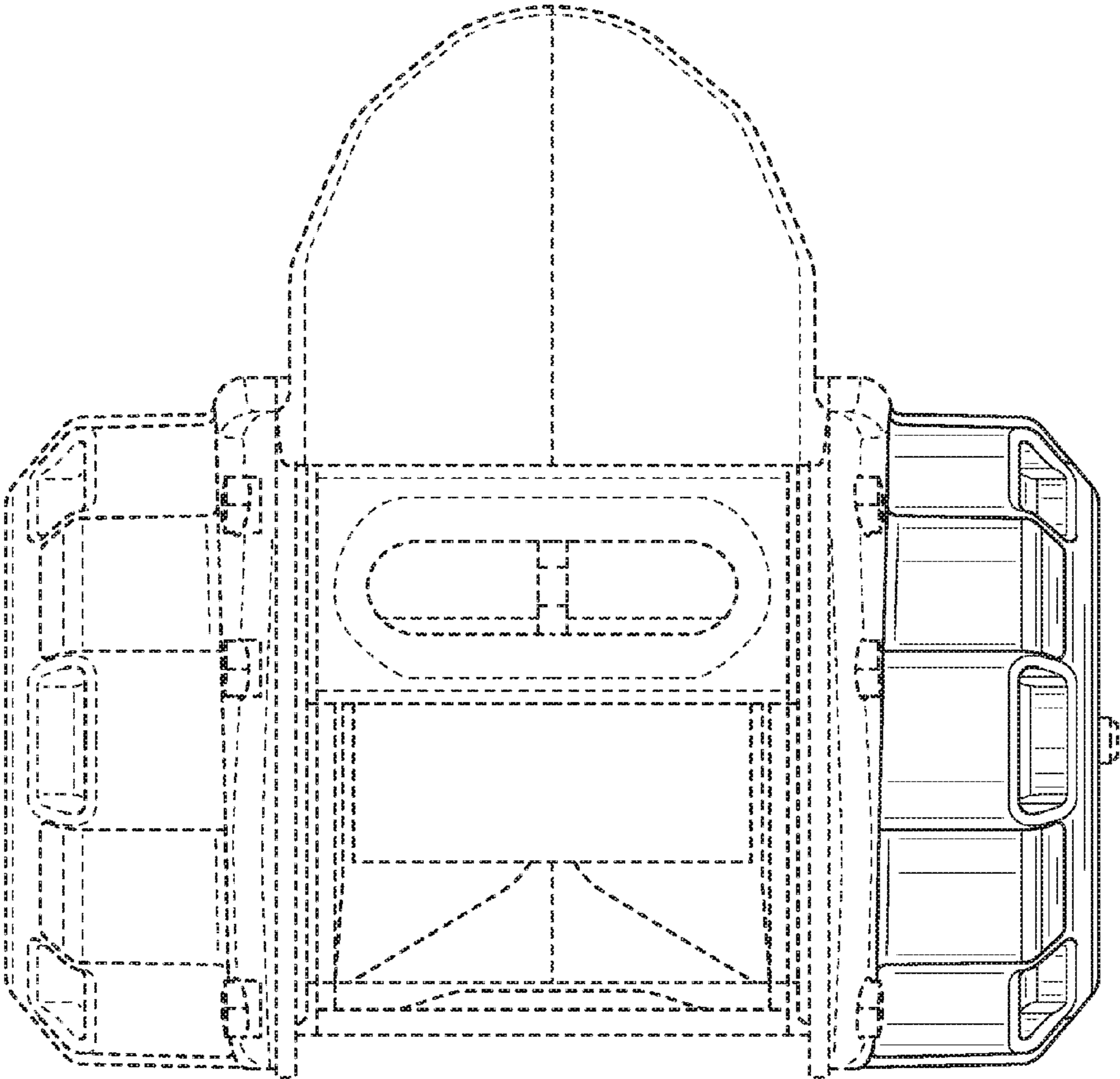


FIG. 2

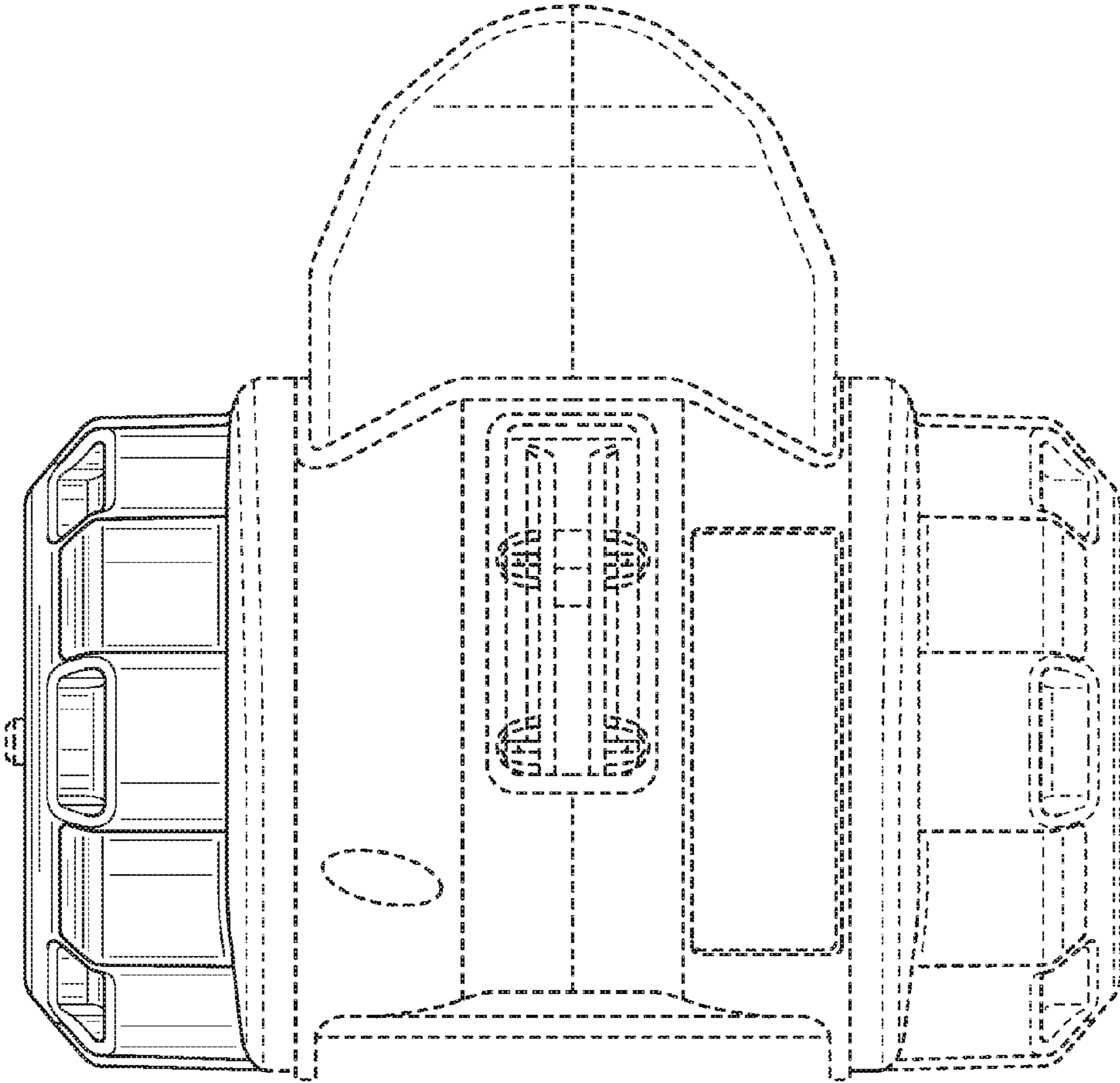


FIG. 3

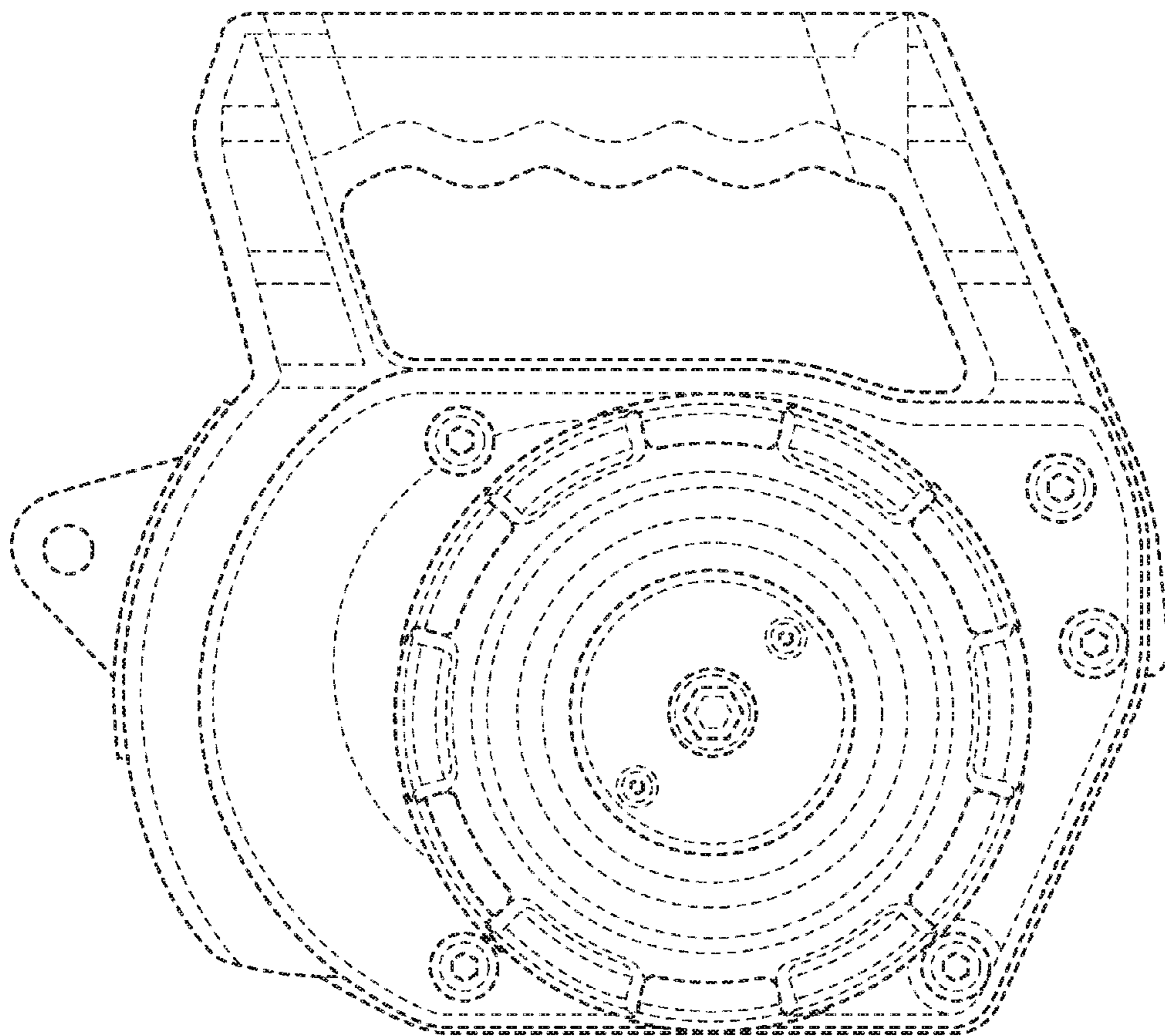


FIG. 4

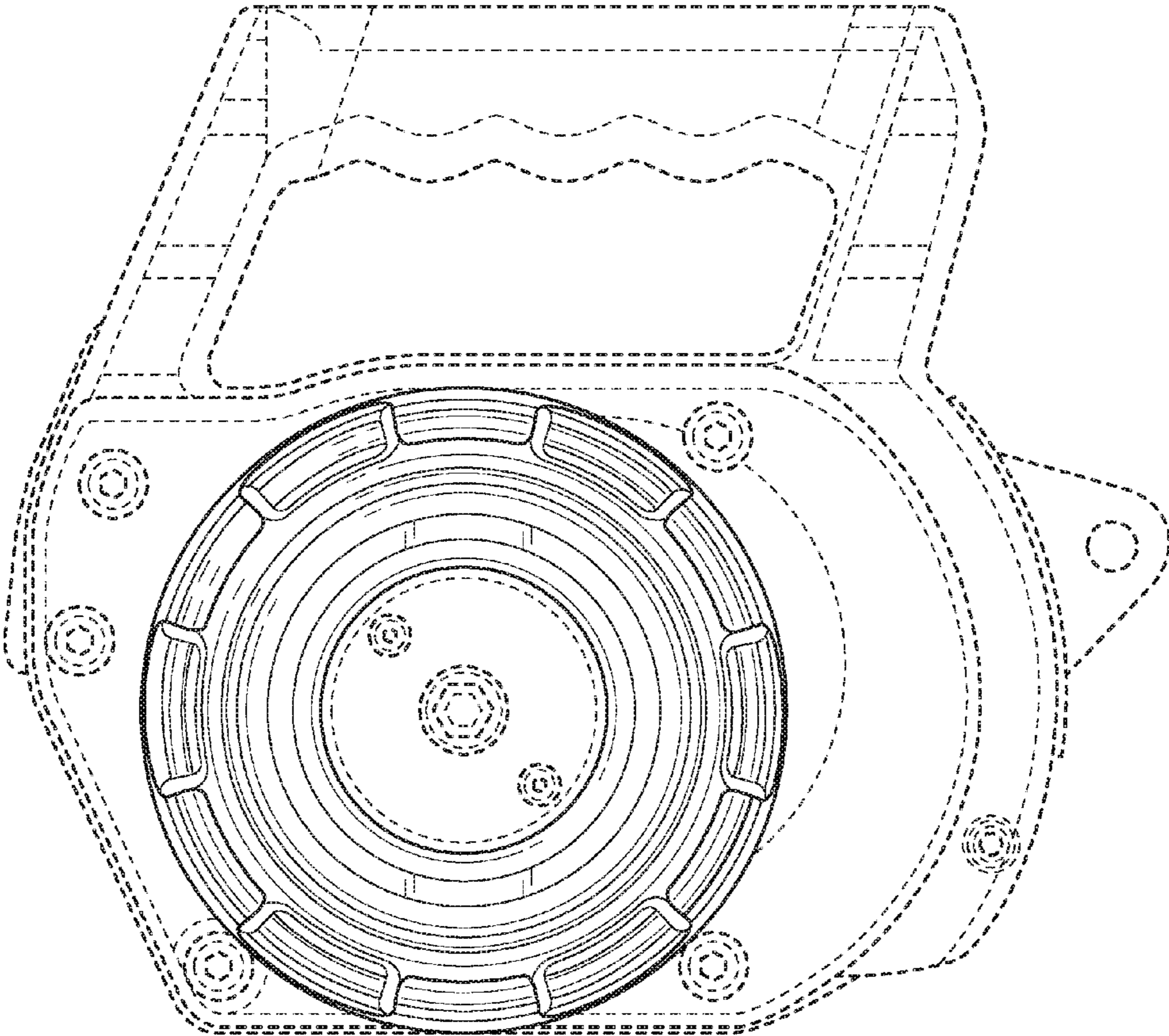


FIG. 5

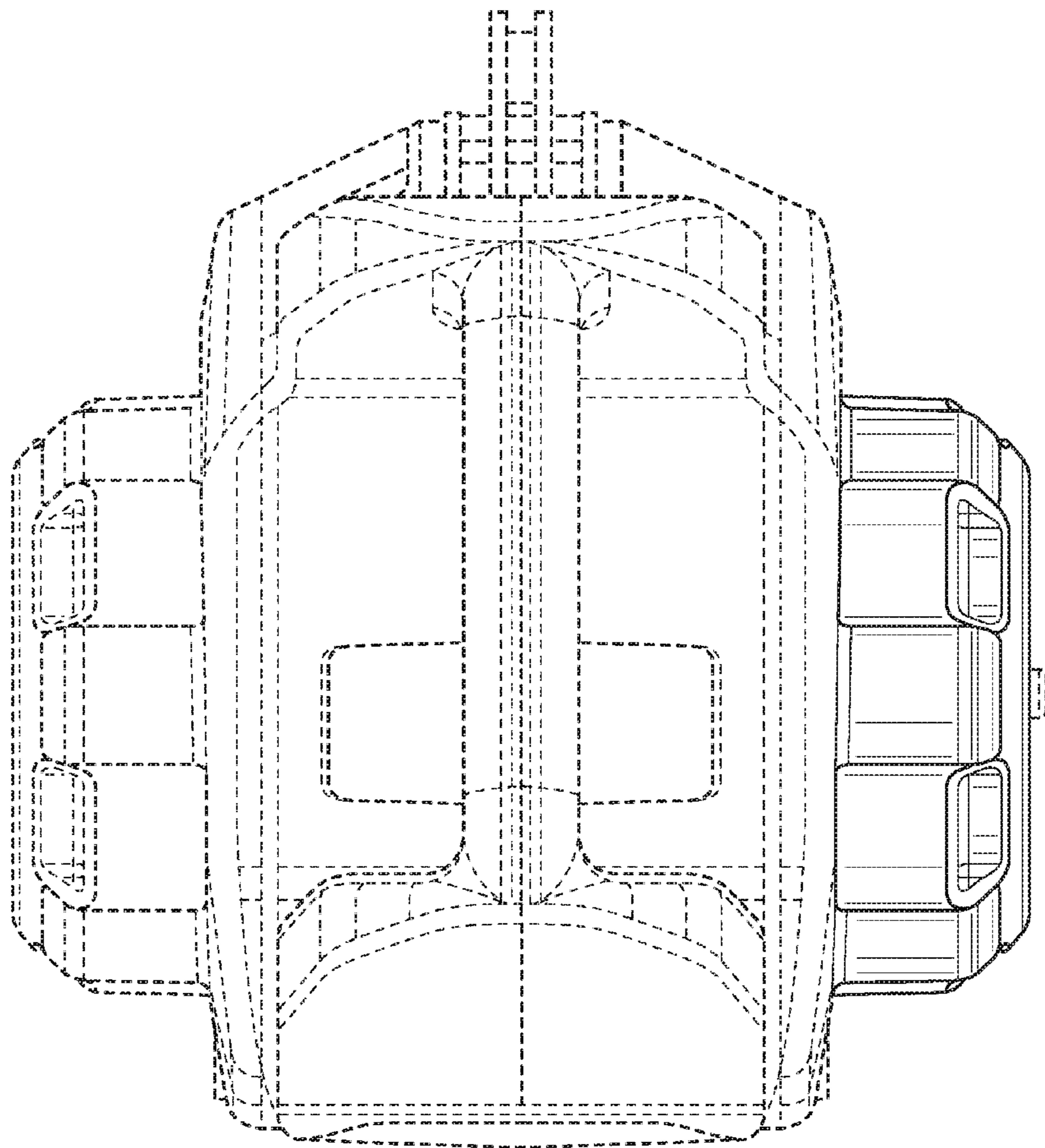


FIG. 6



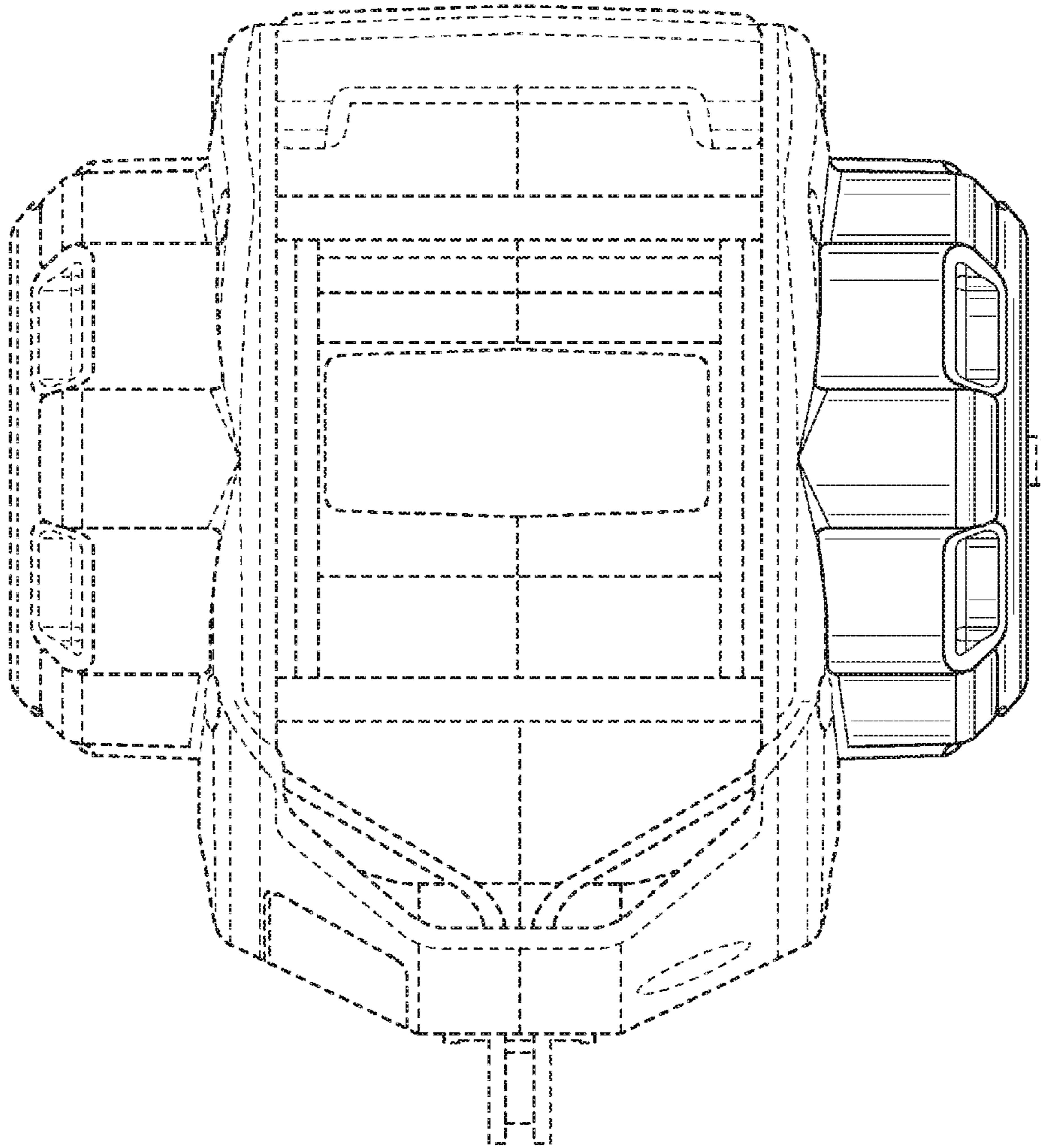


FIG. 7