



US00D748445S

(12) **United States Design Patent**
Waldron et al.

(10) **Patent No.:** **US D748,445 S**
(45) **Date of Patent:** **** Feb. 2, 2016**

- (54) **TOOL TRIGGER**
- (71) Applicant: **Peter Hosking**, Victoria (AU)
- (72) Inventors: **Michael Waldron**, North Yorkshire (GB); **John Hoggarth**, North Yorkshire (GB)
- (73) Assignee: **Peter Hosking**, Victoria (AU)
- (**) Term: **14 Years**
- (21) Appl. No.: **29/441,267**
- (22) Filed: **Jan. 3, 2013**

6,749,028	B1 *	6/2004	Chan et al.	173/170
D504,493	S *	4/2005	Huang	D23/226
7,638,725	B2 *	12/2009	Aoki et al.	200/522
D611,598	S *	3/2010	Tenger et al.	D24/133
D641,871	S *	7/2011	Tenger et al.	D24/133
D644,291	S *	8/2011	Faifer	D22/108
D647,589	S *	10/2011	Rogers et al.	D22/108
8,330,066	B2 *	12/2012	Xu	200/522
2011/0168420	A1 *	7/2011	Kobayashi et al.	173/170

- (30) **Foreign Application Priority Data**
- Dec. 21, 2012 (EM) 002158899
- (51) **LOC (10) Cl.** **08-03**
- (52) **U.S. Cl.**
- USPC **D8/68; D22/108**
- (58) **Field of Classification Search**
- USPC D8/62-70; 81/57.11, 429, 464, 465, 81/466, 469, 489; 173/13, 114, 169, 170, 173/178, 201, 211, 213, 217; 227/8, 114, 227/120, 130, 136, 142; 200/43.17, 322.2, 200/449, 450, 522; D13/169; D21/573; D22/108; D23/226; D24/133
- See application file for complete search history.

OTHER PUBLICATIONS

U.S. Appl. No. 29/441,266, filed Jan. 3, 2013, Waldron et al.
U.S. Appl. No. 29/441,268, filed Jan. 3, 2013, Waldron et al.

* cited by examiner

Primary Examiner — Philip S Hyder
Assistant Examiner — Darlington Ly
(74) *Attorney, Agent, or Firm* — Sheridan Ross P.C.

- (56) **References Cited**
- U.S. PATENT DOCUMENTS**
- 3,829,645 A * 8/1974 Piber 200/43.17
- D301,199 S * 5/1989 Zurwelle D8/70
- D349,938 S * 8/1994 Hogue et al. D22/108
- 6,308,378 B1 * 10/2001 Mooty et al. 16/430

(57) **CLAIM**

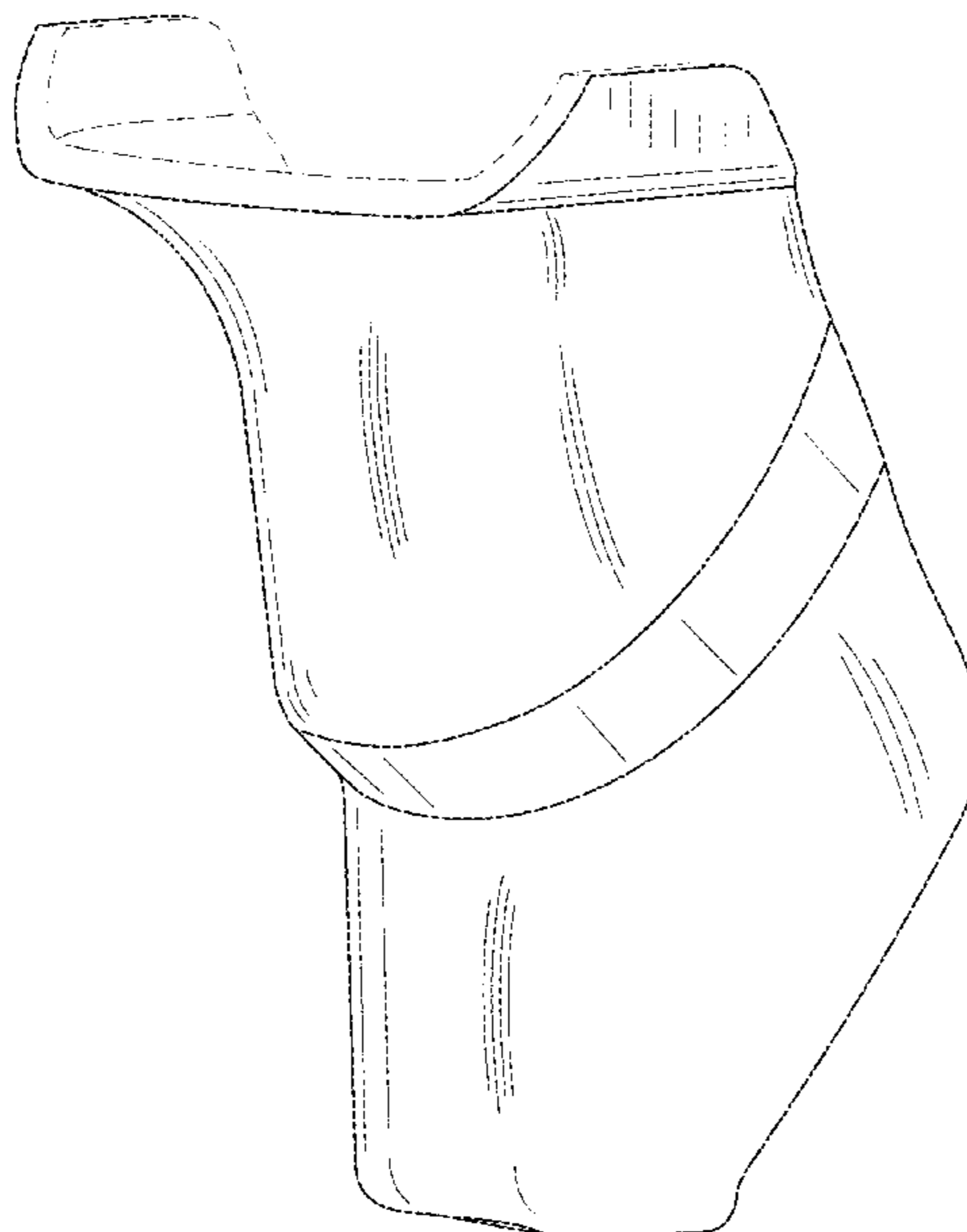
The ornamental design for a tool trigger, as shown and described.

DESCRIPTION

FIG. 1 is a right side elevation view of the tool trigger in an assembled state with an environmental drill structure; FIG. 2 is a perspective view of the tool trigger; FIG. 3 is a right elevation view thereof; FIG. 4 is a left elevation view thereof; FIG. 5 is a front elevation view thereof; FIG. 6 is a bottom plan view thereof; and, FIG. 7 is a top plan view thereof.

The broken line showing of the drill is for the purpose of illustrating environmental structure and forms no part of the claimed design.

1 Claim, 7 Drawing Sheets



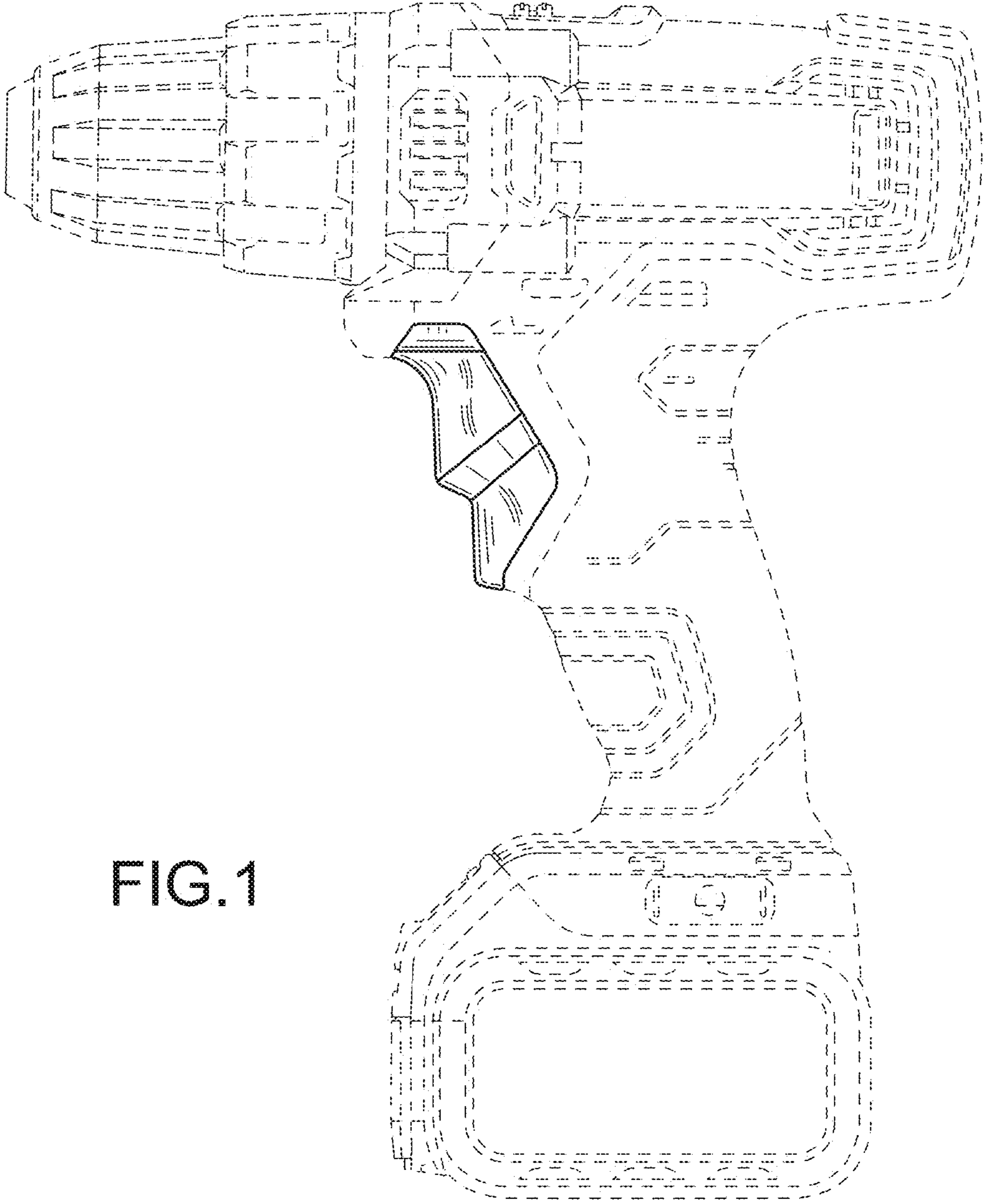


FIG.1

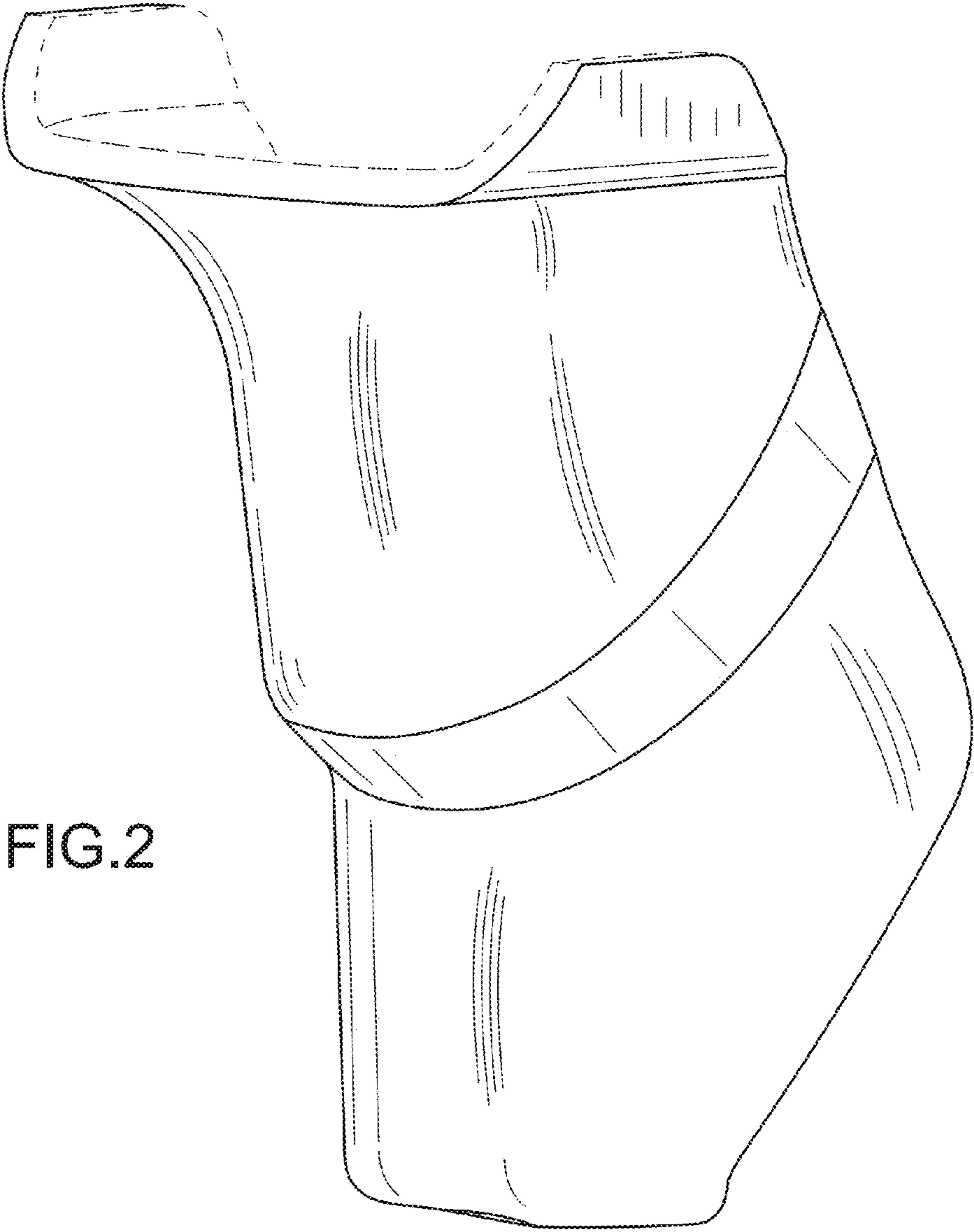


FIG.2

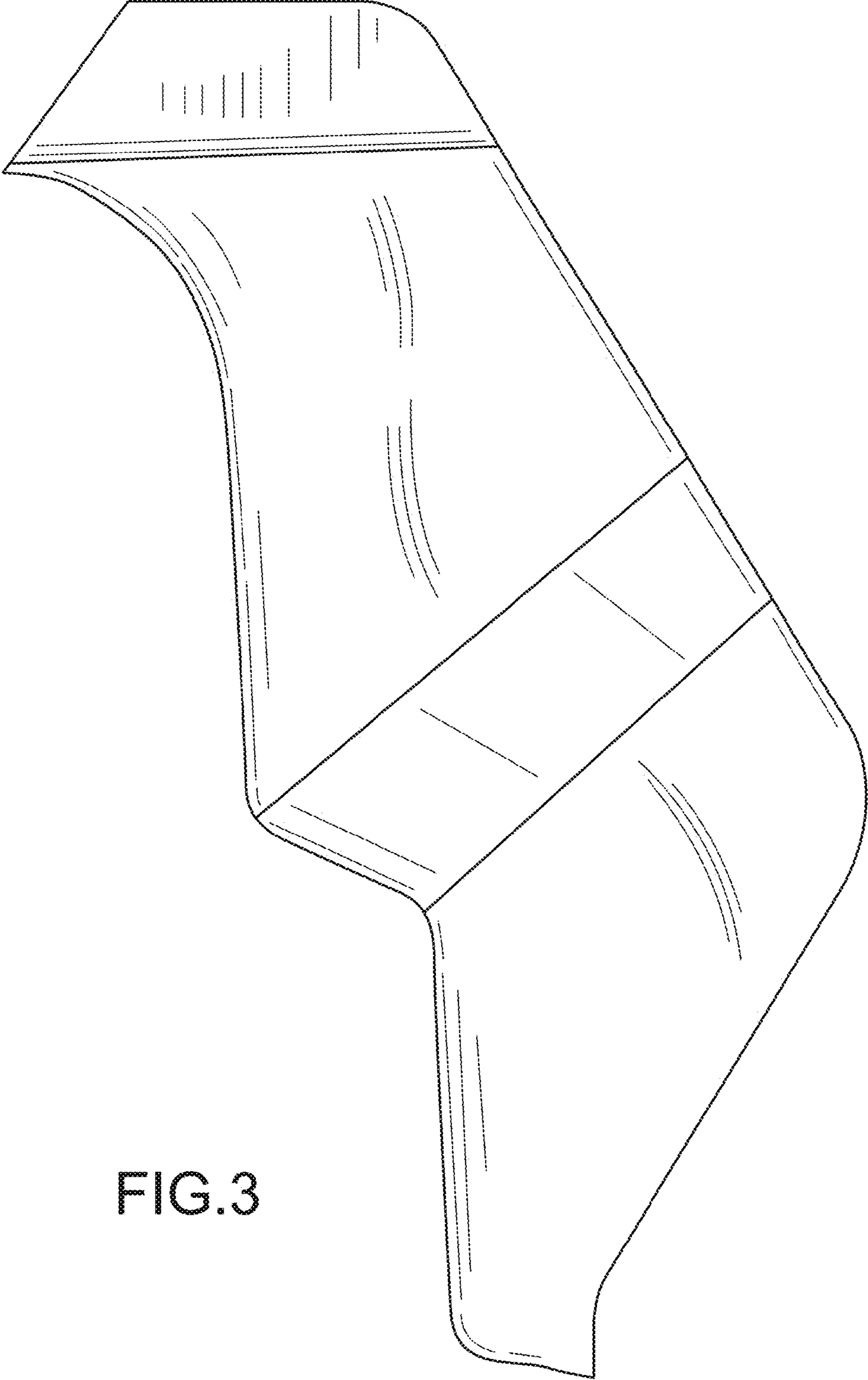


FIG.3

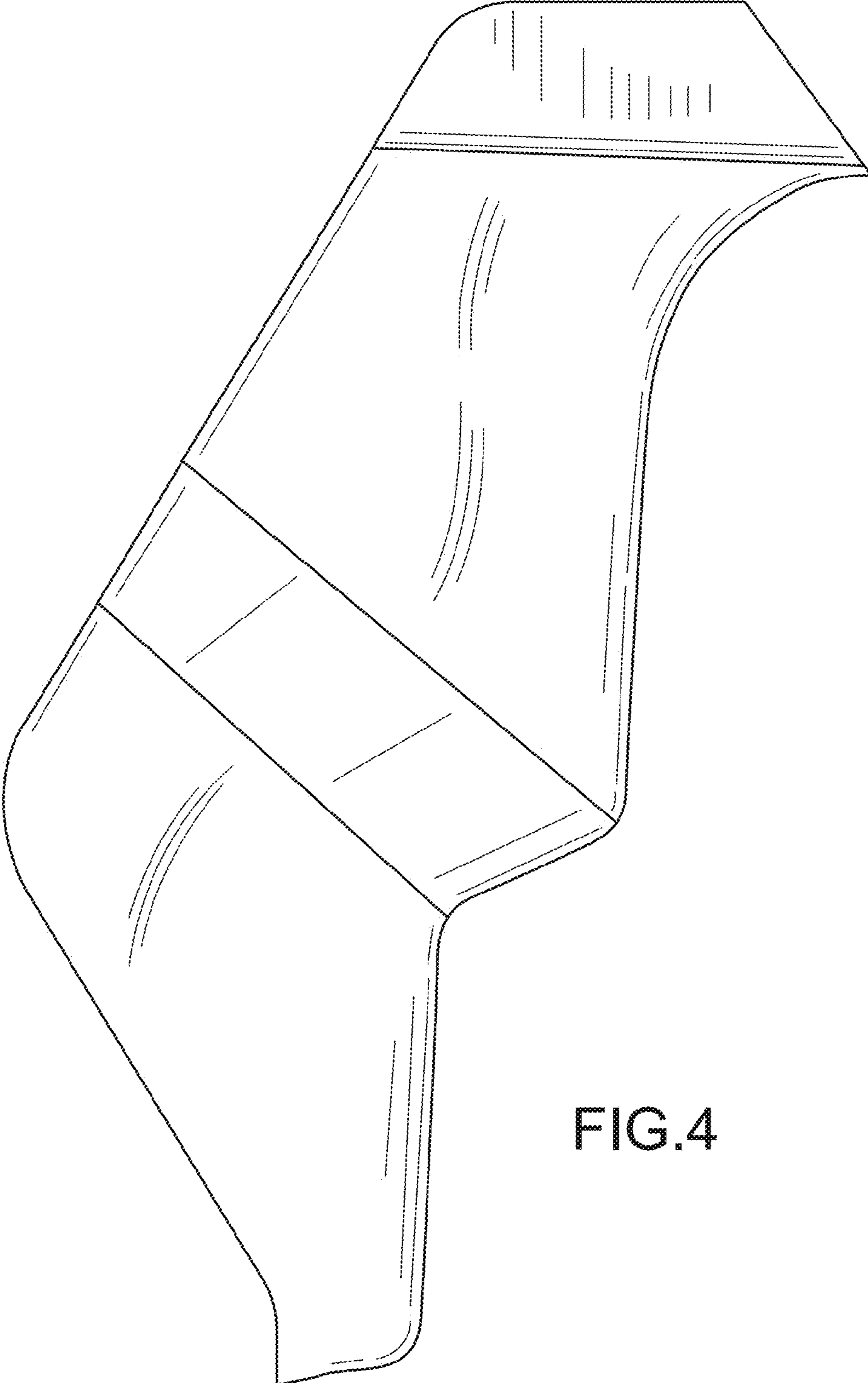


FIG.4

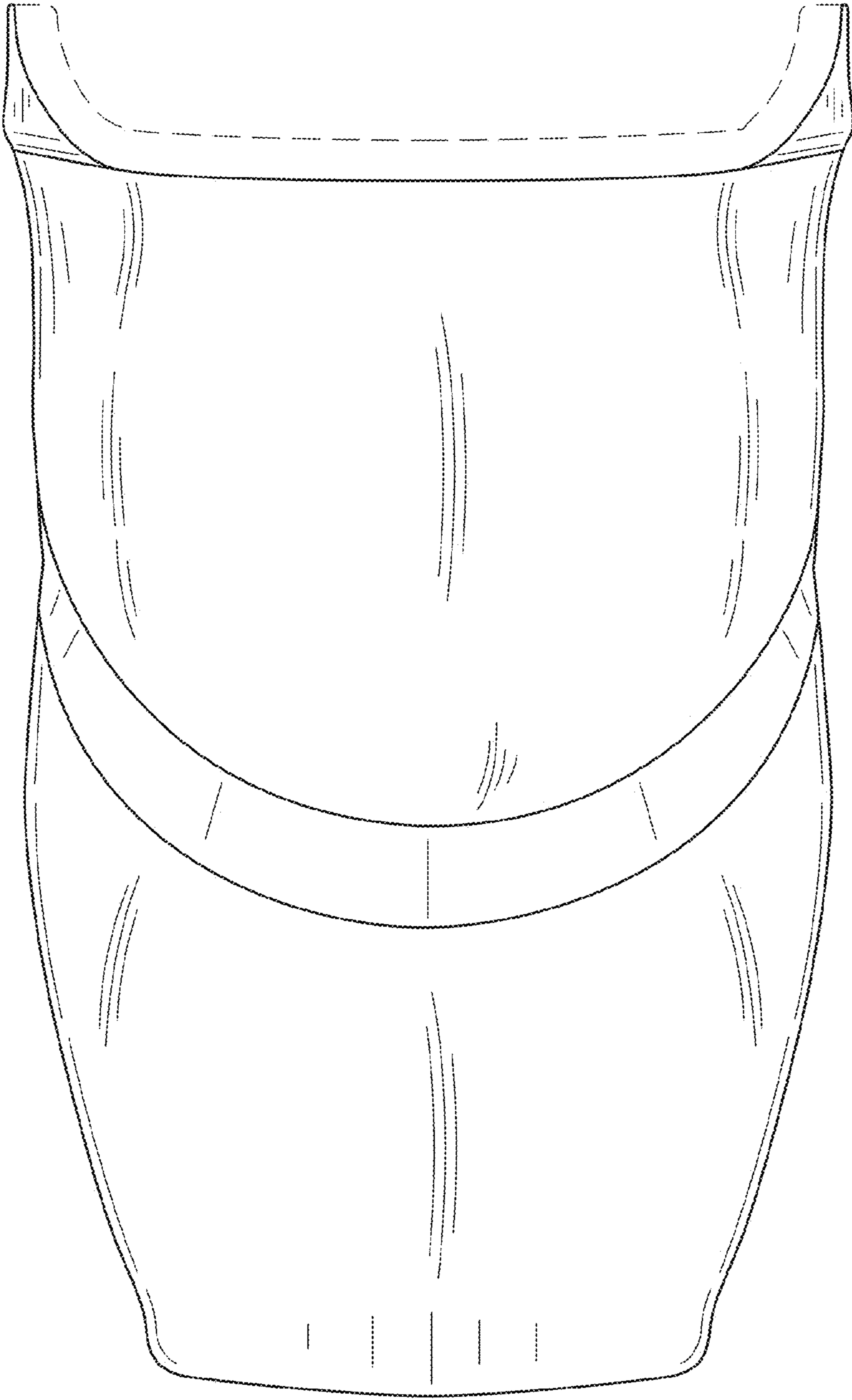


FIG.5

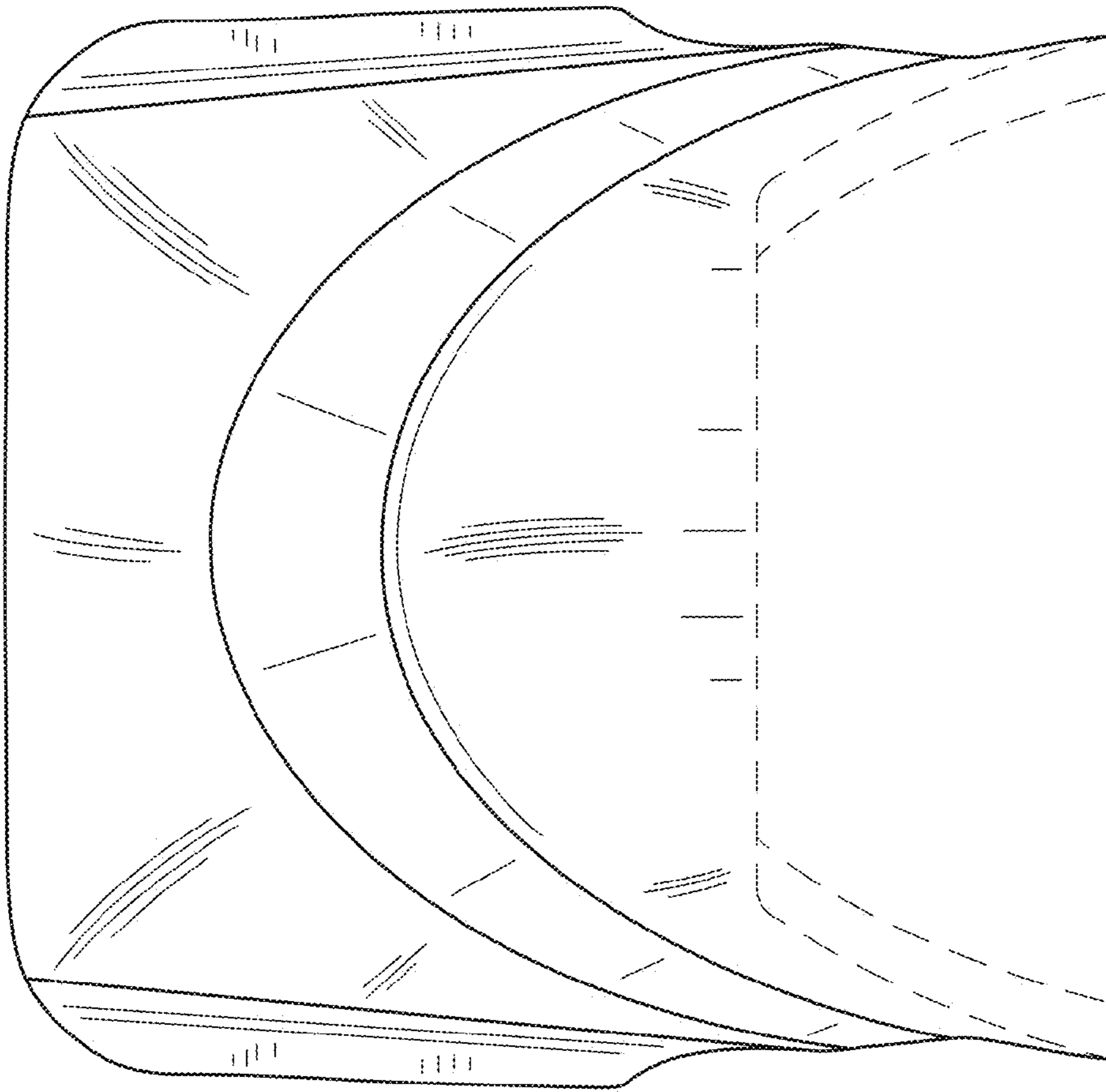


FIG.6

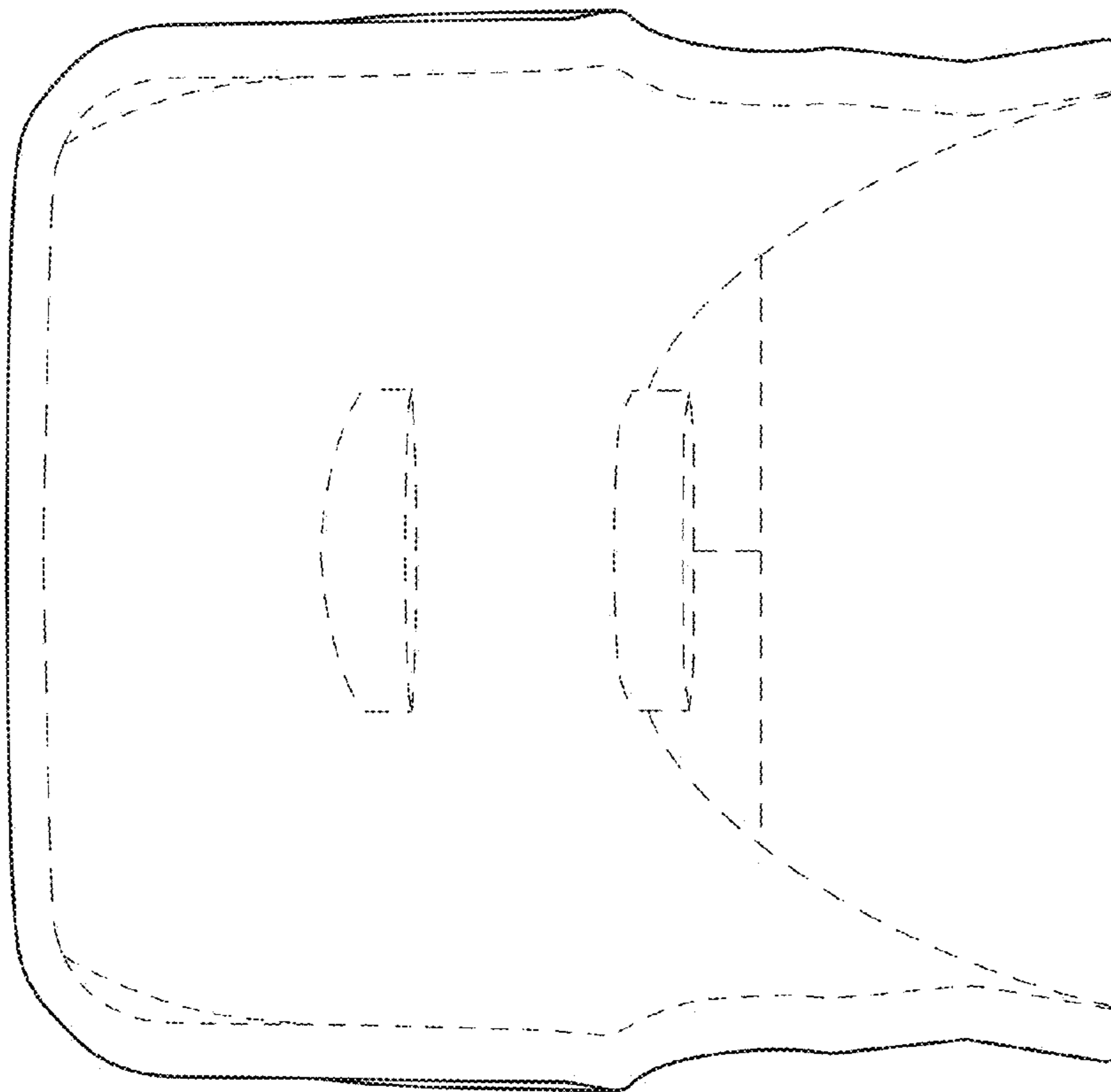


FIG. 7