



US00D748443S

(12) **United States Design Patent**  
**Ou**

(10) **Patent No.:** **US D748,443 S**

(45) **Date of Patent:** **\*\* Feb. 2, 2016**

(54) **RATCHET WRENCH**

(71) Applicant: **Yu-Hua Ou**, Taichung (TW)

(72) Inventor: **Yu-Hua Ou**, Taichung (TW)

(\*\*) Term: **14 Years**

(21) Appl. No.: **29/507,928**

(22) Filed: **Oct. 31, 2014**

(51) **LOC (10) Cl.** ..... **08-05**

(52) **U.S. Cl.**  
USPC ..... **D8/25**

(58) **Field of Classification Search**  
USPC ..... D8/17, 21-29; 81/58, 58.2, 119, 124.4,  
81/125.1, 186, 121.1, 60, 63.1  
CPC ..... B25B 13/02; B25B 13/08; B25B 13/04;  
B25B 13/065; B25B 13/46; B25B 13/463  
See application file for complete search history.

(56) **References Cited**

**U.S. PATENT DOCUMENTS**

5,913,954	A *	6/1999	Arnold et al.	81/63.2
D422,192	S *	4/2000	Cleveland	D8/107
6,230,591	B1 *	5/2001	Ling et al.	81/63
6,260,448	B1 *	7/2001	Chaconas	81/63
6,460,431	B1 *	10/2002	Chen	81/63.2
D471,411	S *	3/2003	Hu	D8/25
6,568,299	B2 *	5/2003	Hu	81/63.2
D515,373	S *	2/2006	Chen	D8/27
D528,883	S *	9/2006	Hu	D8/25
D547,151	S *	7/2007	Lin	D8/25
D576,457	S *	9/2008	Chen	D8/27

7,444,905	B2 *	11/2008	Hu	81/177.4
7,770,494	B2 *	8/2010	Cornwell et al.	81/57.3
8,109,180	B2 *	2/2012	Hu	81/60
D663,177	S *	7/2012	Chen	D8/25
D666,466	S *	9/2012	Gresham et al.	D8/25
8,651,437	B2 *	2/2014	Liu	248/130

\* cited by examiner

*Primary Examiner* — Randall Gholson

(74) *Attorney, Agent, or Firm* — Muncy, Geissler, Olds & Lowe, P.C.

(57) **CLAIM**

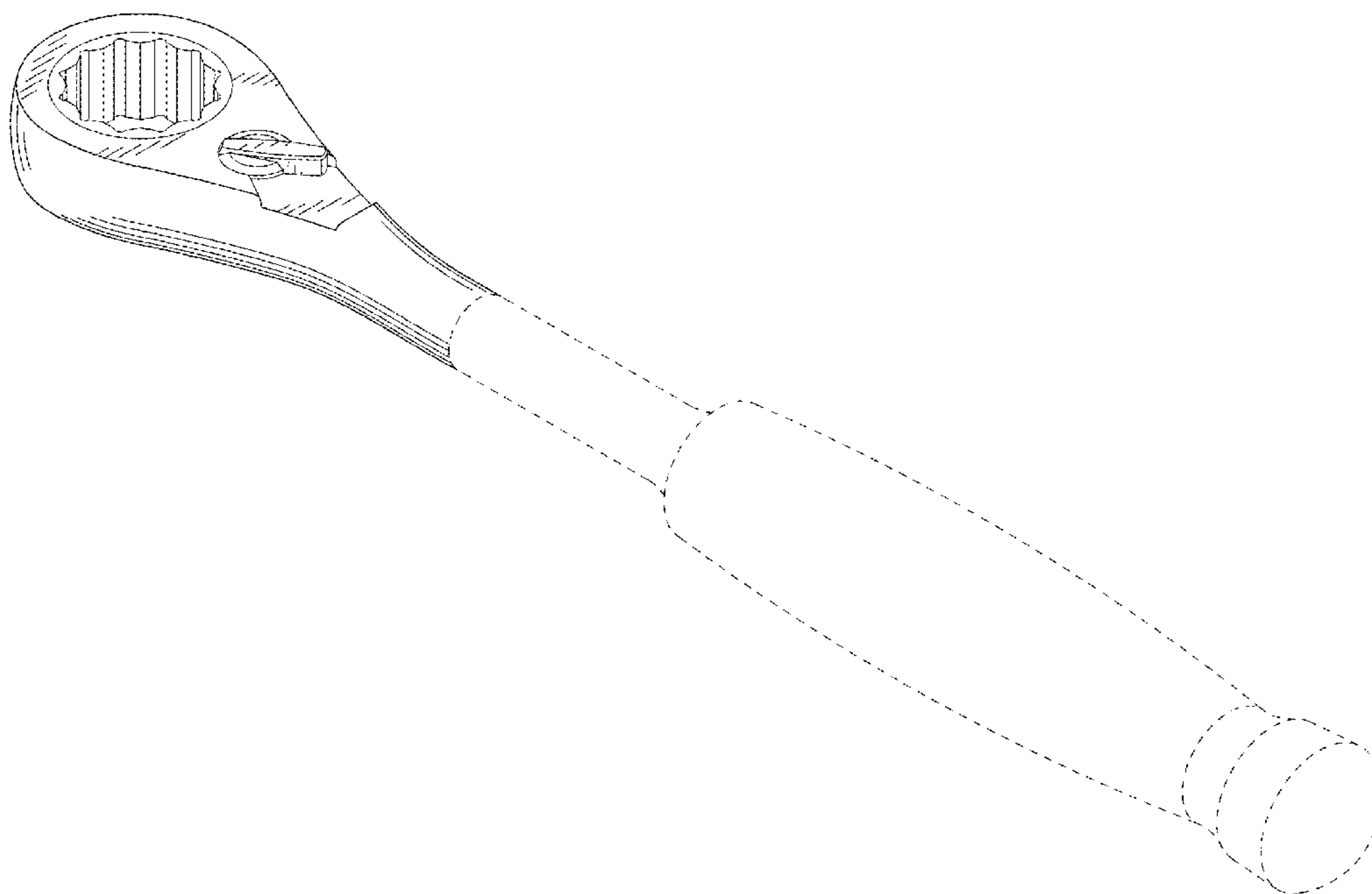
I claim the ornamental design for a ratchet wrench, as shown and described.

**DESCRIPTION**

FIG. 1 is a right, front, top perspective view of a ratchet wrench showing my new design; FIG. 2 is a front elevational view thereof; FIG. 3 is a rear elevational view thereof; FIG. 4 is a left side view thereof; FIG. 5 is a right side view thereof; FIG. 6 is a top plan view thereof; FIG. 7 is a bottom plan view thereof; and, FIG. 8 is a rear, right, bottom perspective view of the ratchet wrench.

The features shown in broken lines depict environmental structure only and form no part of the claimed design.

**1 Claim, 5 Drawing Sheets**



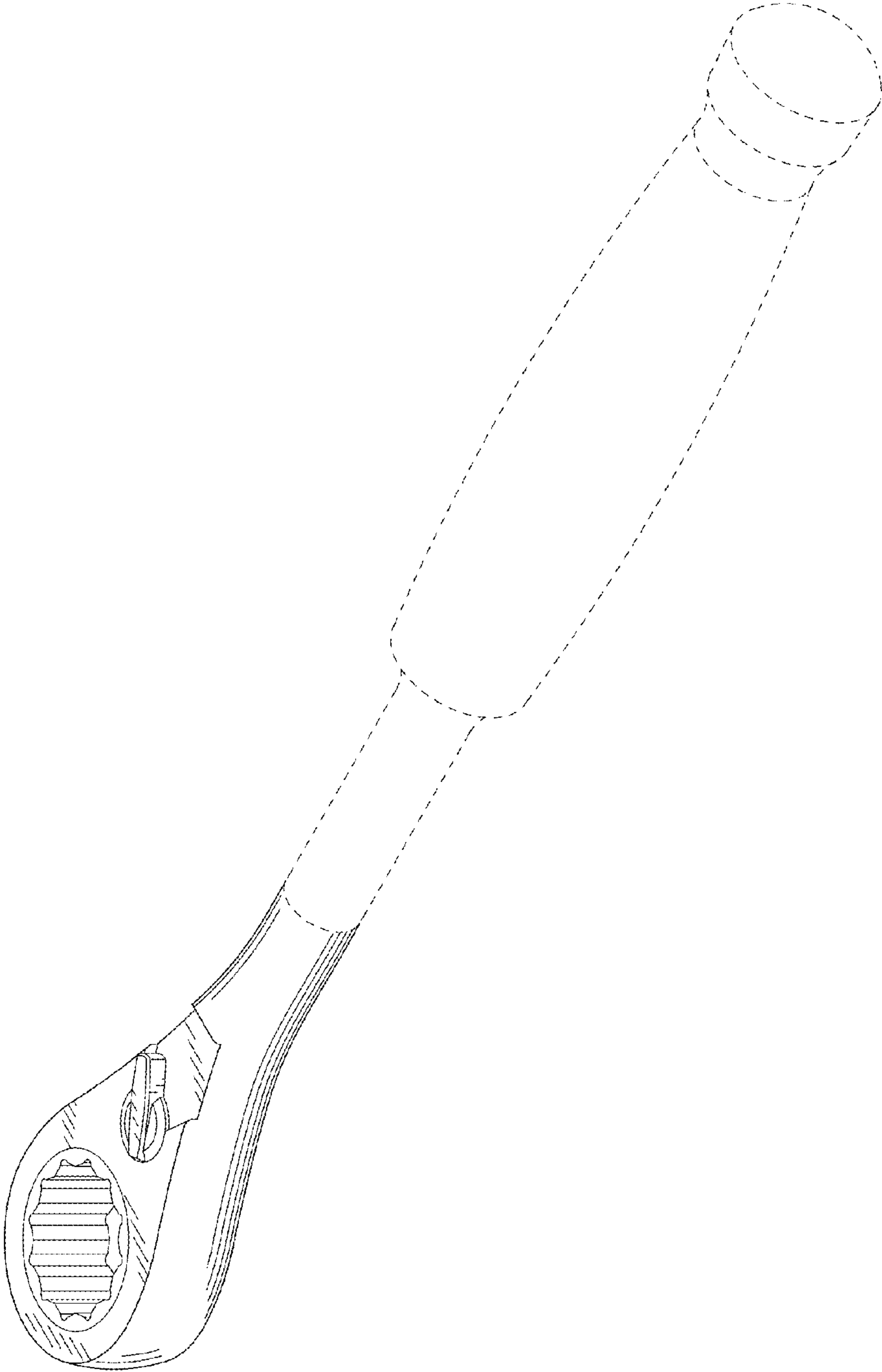


FIG. 1

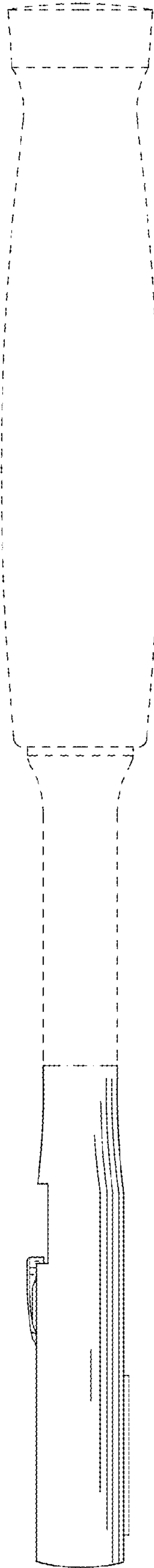


FIG. 2

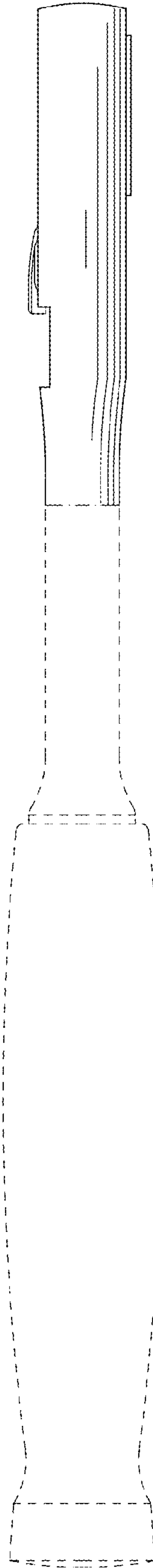


FIG. 3

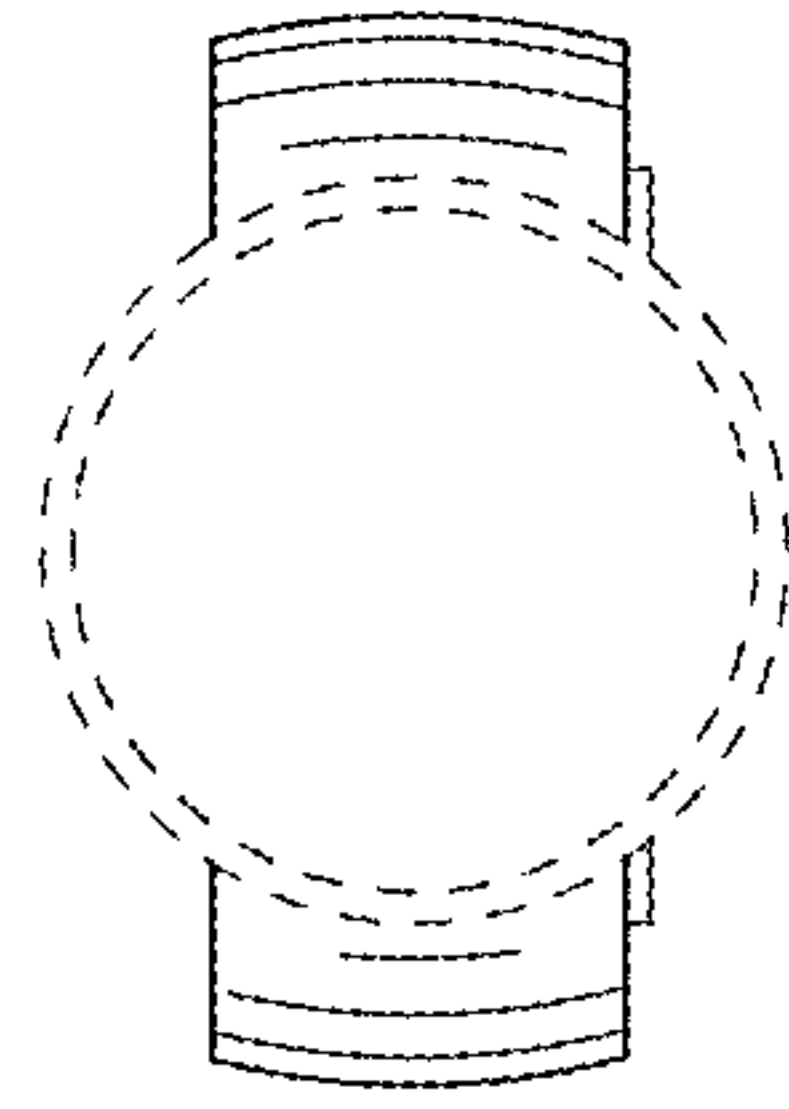


FIG. 5

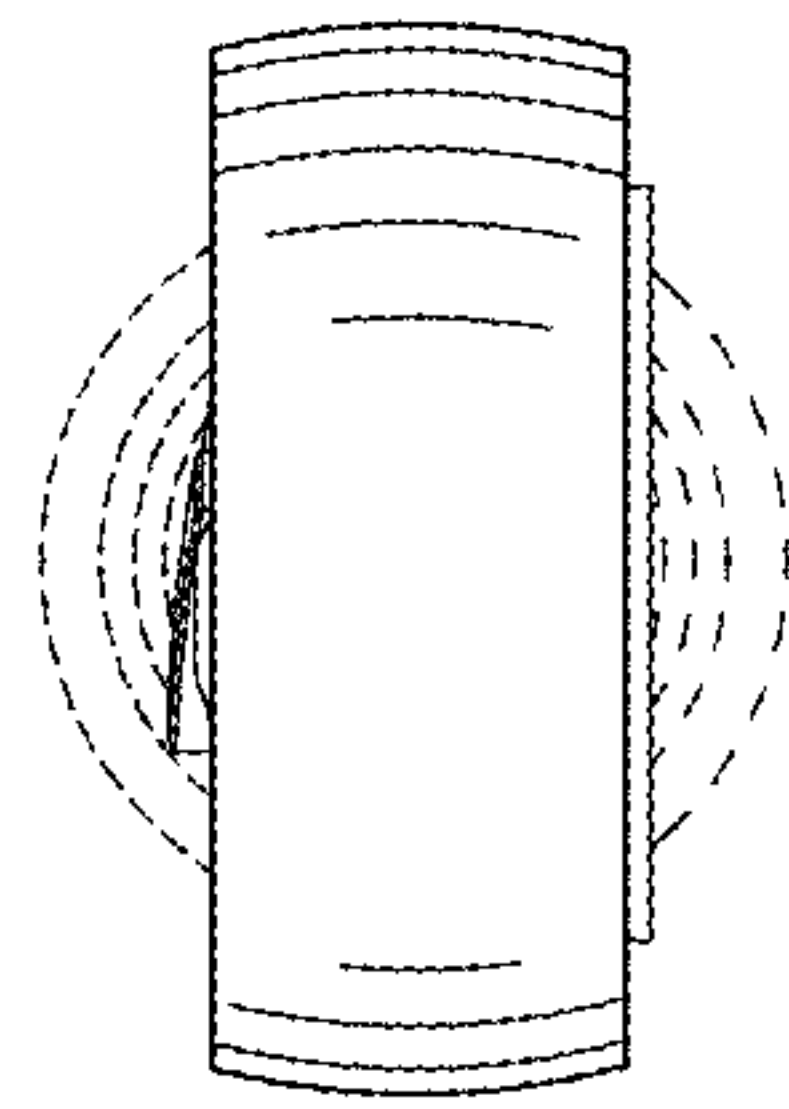


FIG. 4

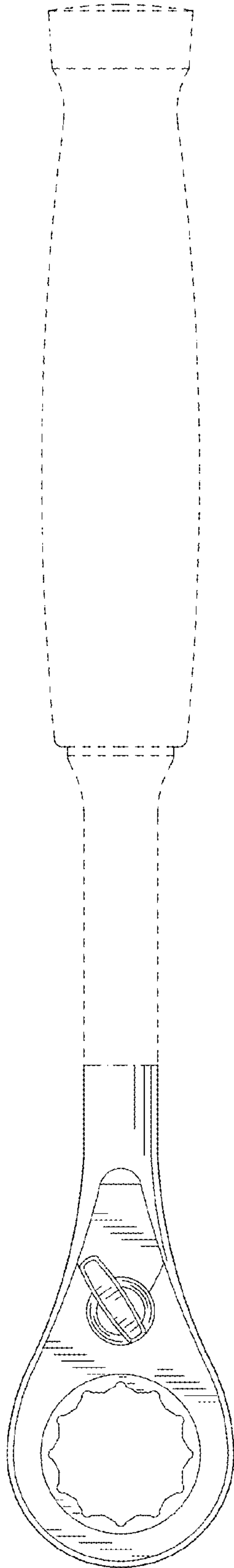


FIG. 6

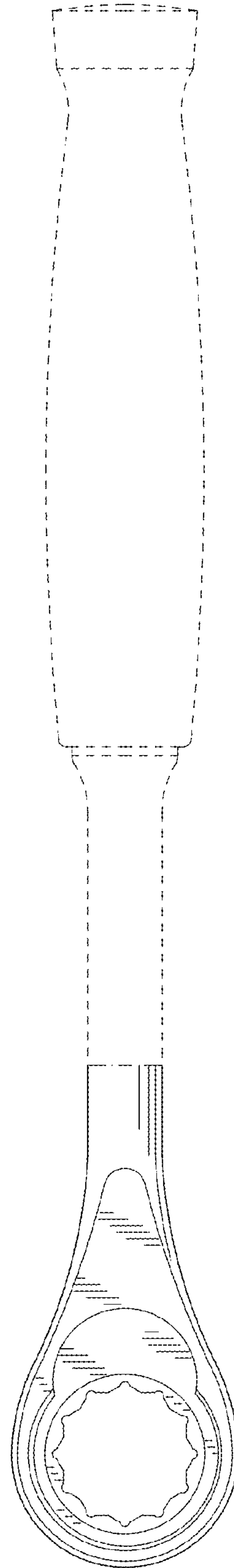


FIG. 7

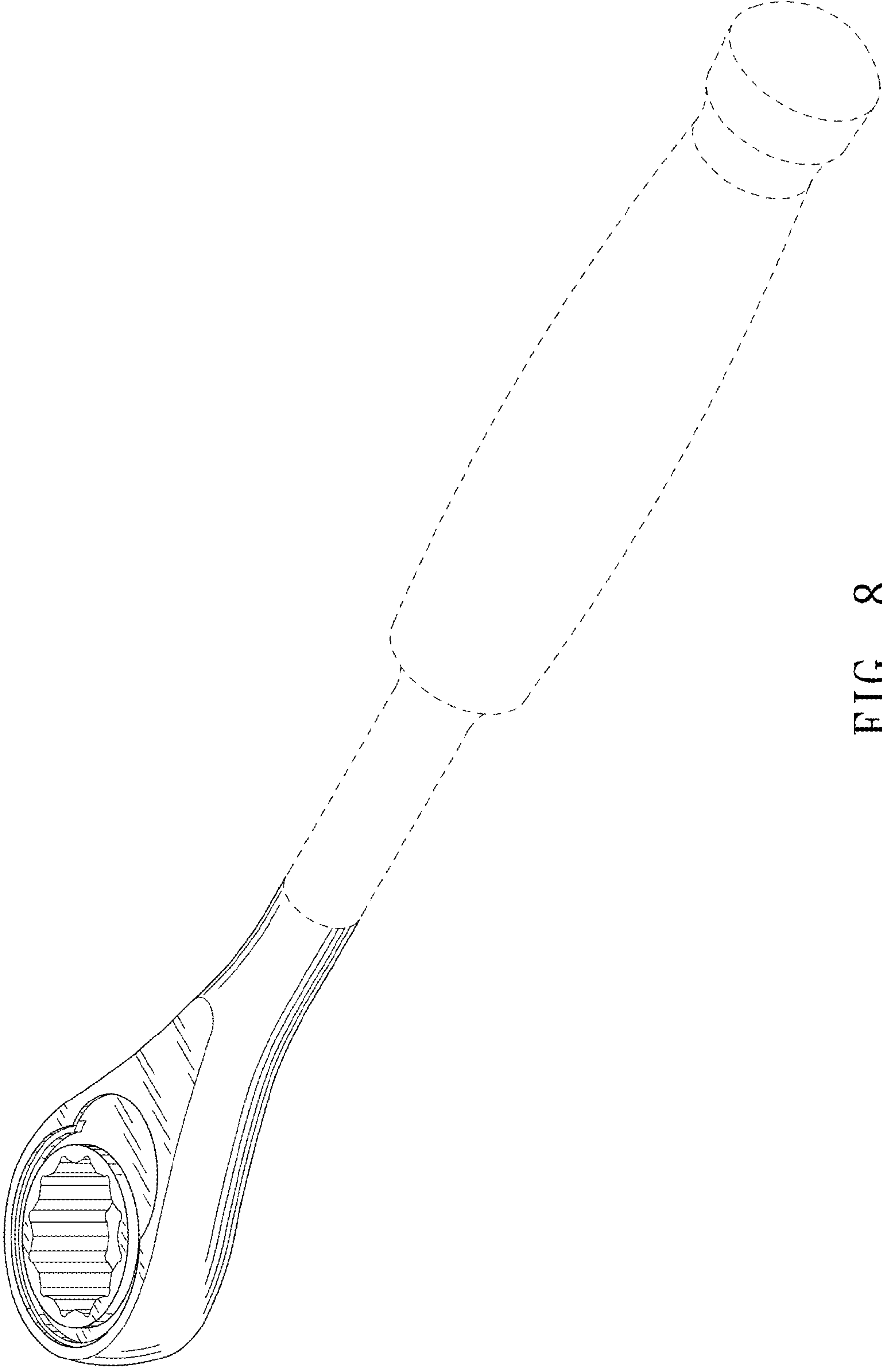


FIG. 8